



* The ROM MultiEvo achieves up to 15% higher efficiency than the market leading conventional EC/PM plug fans.

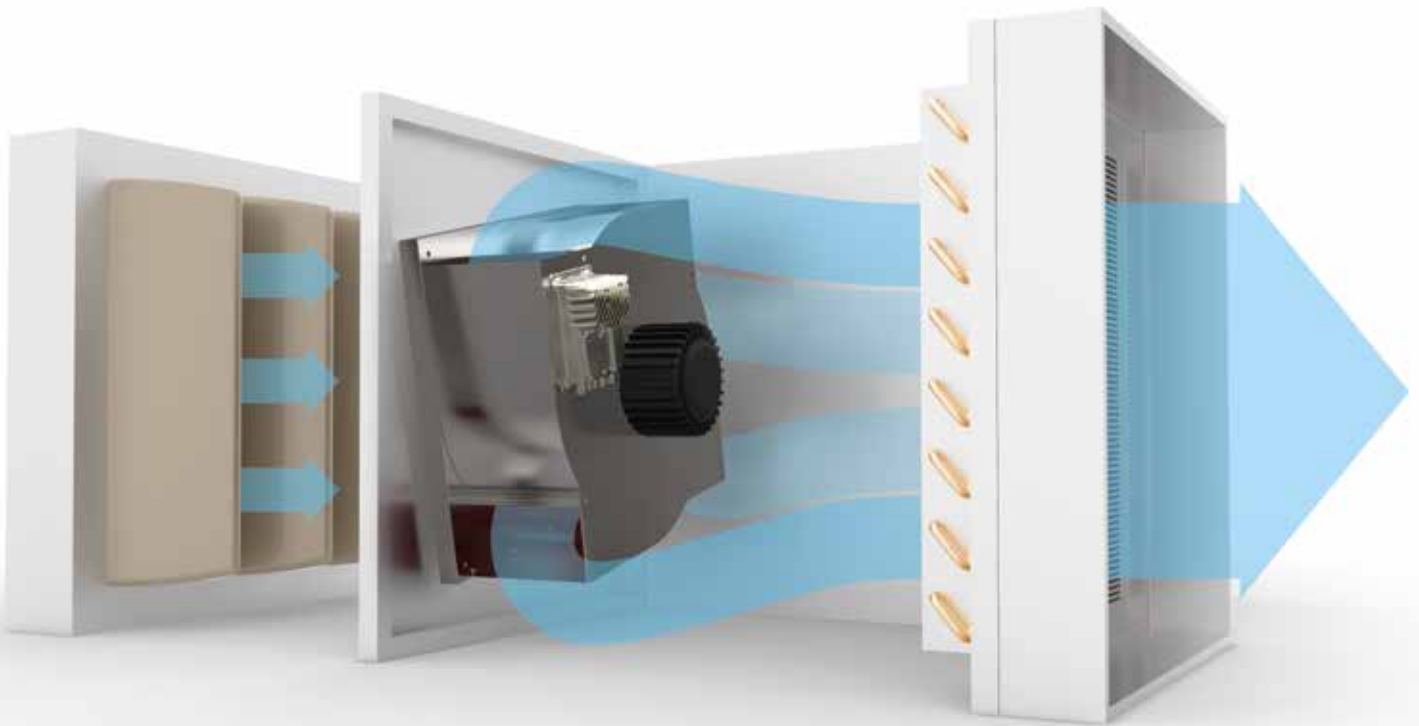
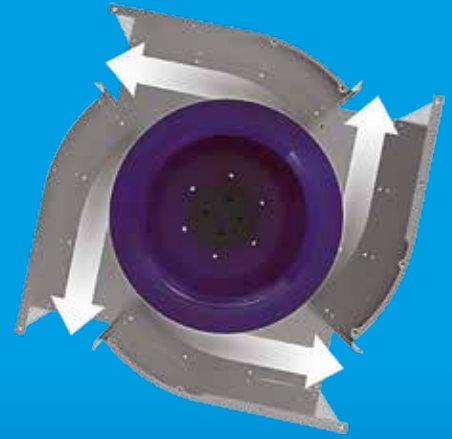
THE ROM MULTIEVO.

EVERY REVOLUTION NEEDS A PIONEER.

- Exceptionally **economical**
- Simply **compact**
- Completely **hygienic**

WHAT IS MULTIEVO?

The patented MultiEvo technology consists of a multiple discharge integrated scroll providing the highest achievable system efficiency in new technology. The combination of impeller, motor and multiple scroll delivers unparalleled energy efficiency. A hybrid revolution.



HYBRID IS THE FUTURE

The new RQM MultiEvo combines the compact design of plug fans with the benefits of traditional cased fans. In principle, it is a directly driven centrifugal fan with spiral shaped guide vanes. The unique design of the multiple discharge scroll far exceeds the efficiency levels of conventional EC plug fans.

FOR CLIMATE CONTROL AND VENTILATION

The RQM MultiEvo is ideally suited for both new equipment and retrofit and delivers a low lifetime cost.

- Plug and play installation
- Retrofit: Modernize and save

APPLICATIONS

- Air Handling Units
- Data centres, clean rooms, commercial buildings, refurbishment

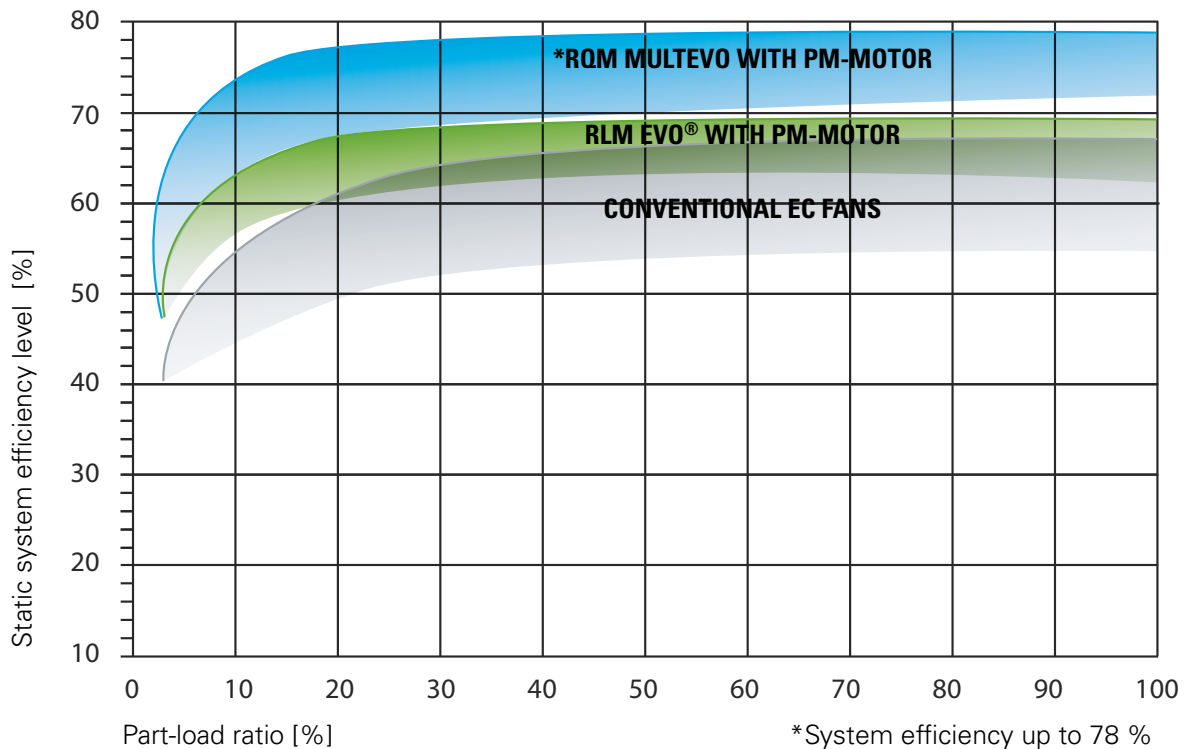
The RQM MultiEvo is also particularly well suited for creating multiple fan configurations within a common plenum.

BENCHMARK – UP TO 78% SYSTEM EFFICIENCY

The RQM MultiEvo achieves up to 15% higher efficiency than the market leading EC plug fan (RLM-Evo). The measured system efficiency levels reach values of up to 78% (system = fan, motor and drive).

And: Depending upon the duty point, the noise levels of the RQM MultiEvo are up to 4dB lower than conventional EC plug fans.

Here is the proof – go to ILK Dresden’s independent test report: www.rqm-multievo.com



ADVANTAGES OF THE RQM MULTIEVO

ECONOMICAL

The outstanding efficiency levels makes it possible to reach the optimal duty point of a system with a lower motor power rating or even a smaller fan. Just plug in and switch on. Each system solution comes parameterized and ready for operation – including a prior functional test and test run. That saves time and money.

COMPACT

Horizontal or vertical: Install the RQM MultiEvo with integrated electronics directly to the floor, wall or ceiling – without having to install the inverter separately outside of the system. An unshielded power supply cable is required for the connection. The plug and play design keeps installation costs to a minimum, enabling easy maintenance and servicing.

HYGIENIC

Regular inspections of AHUs require absolute cleanliness. For this reason, when designing the RQM MultiEvo, we have taken care to ensure that the impeller is easy to clean via the guide vanes or the optional opening flaps. It can't be simpler.

The direct-driven high-performance radial fan, RQM MultiEvo with Ultra-Premium permanent magnet motor at the level of efficiency of efficiency class IE5 and integrated frequency converter.

Fully built-in module with the highest level of system efficiency, specially developed and optimised for use in ventilation and air-conditioning systems. Multiple scroll-shaped re-direction devices made of galvanised sheet steel to increase the pressure and static fan efficiency. Newly-developed high-performance impeller with optimised geometry and the highest level of efficiency, consisting of six backward curved hollow section with true aerofoil blades with rounded leading edges, angled from the cover plate to the support plate for optimum impact across the entire blade width. Aerodynamically and acoustically optimised with the highest level of static efficiency. Impeller made of high-tensile sheet steel, manufactured using an automated manufacturing process, robotic welding, degreased, treated with iron phosphate and coated with a high-quality epoxy and polyester powder mix, with clamp bushing fixing on the shaft of the flange motor. It is statically and dynamically balanced in accordance with DIN ISO 21940-11. System inlet cone made of galvanised sheet steel for the optimum flow onto the blades of the impeller, fitted with the IMV volume flow measuring device as standard. Ultra premium motor with highly-efficient permanent magnet technology with IE5 efficiency class. Does not use rare-Earth magnets. Integrated frequency converter mounted on the motor support plate, perfectly matched to the high-performance impeller. Frequency converter is pre-programmed, so is ready for immediate use with analogue 0...10 V signal. With Modbus interface. Screened connecting cable is not required. The rotational speed of the drive system can be 100% controlled. Prepared for simple floor, wall or ceiling mounting on the inlet side. For operation with any axle arrangement. Performance data in accuracy class 1 in accordance with DIN 24166.

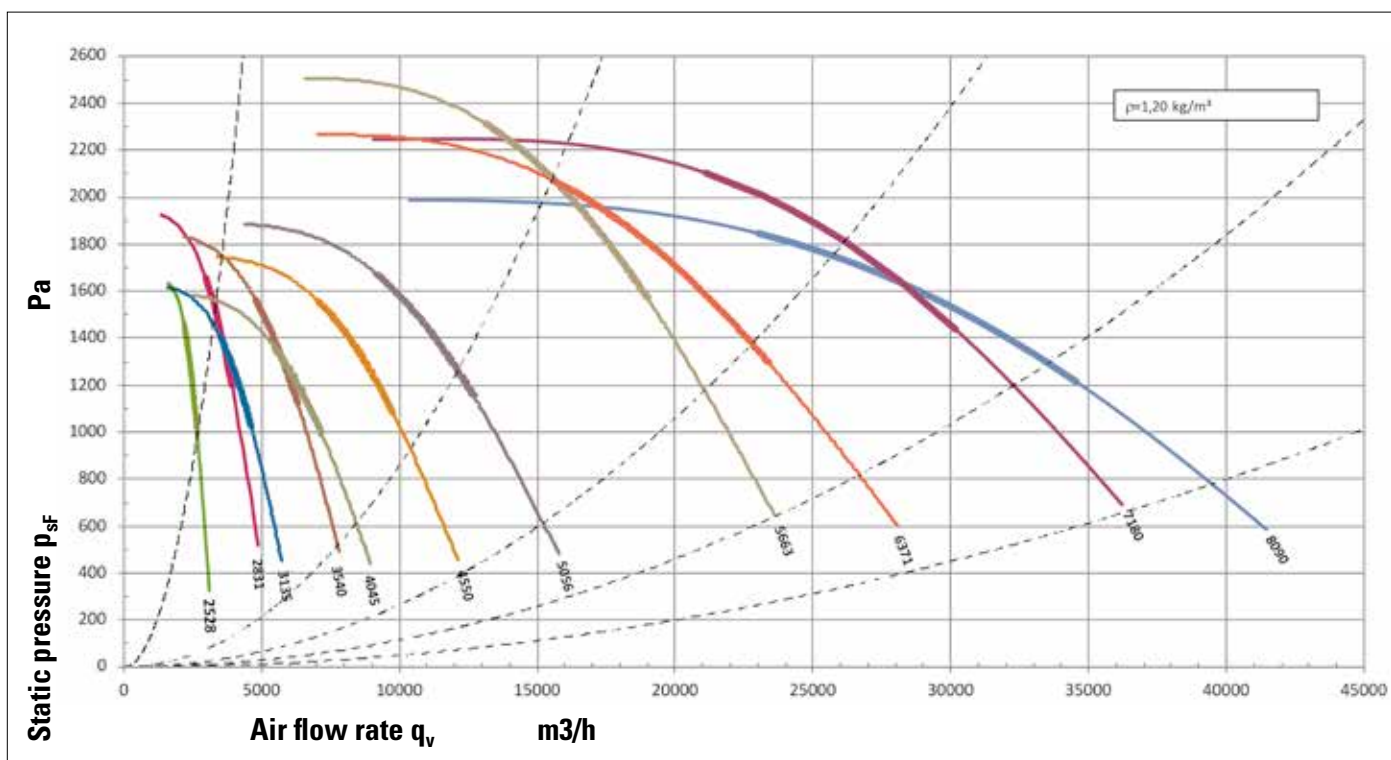


RQM MultiEvo F3 variants



RQM MultiEvo F6 variants

Consolidated characteristics - installation sizes at a glance

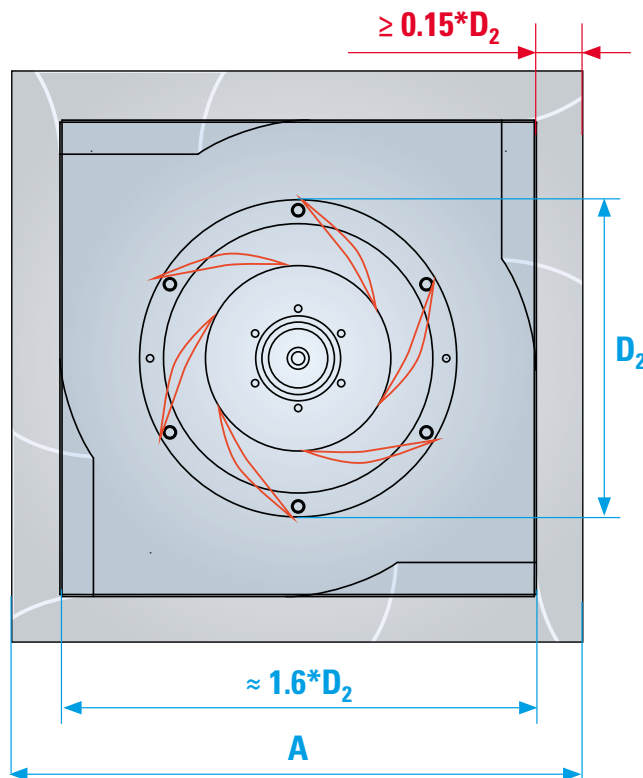


Installation recommendation

To maintain the highest possible level of energy efficiency, we recommend installation conditions of at least factor 1.9 with regard to the impeller diameter, "D2". This corresponds to a wall clearance of 15%.

Type/Size	D ₂
RQM F_-2528...	288
RQM F_-2831...	323
RQM F_-3135...	363
RQM F_-3540...	406
RQM F_-4045...	455
RQM F_-4550...	510
RQM F_-5056...	570
RQM F_-5663...	640
RQM F_-6371...	718
RQM F_-7180...	808
RQM F_-8090...	905

Recommendation: $A/D_2 \geq 1.9$



Noises

The measurement and analysis of noise will be conducted in accordance with DIN 45635-38 "Measuring noise in machines; fans". In the characteristics, the A sound power level LWA8 is specified as the emission level for the outlet side. The value for the inlet side LWA5 and the unweighted octave spectrum, which, for example, is required for sound absorber designs, can be determined for different operating points and rotational speeds using our fan selection program - proSELECTA II. Access to this is on www.nicotra-gebhardt.com.

Performance data

Determination of the fan characteristics and performance data is conducted in "A" type of installation on a test bench certified in accordance with ISO 5801. In the diagrams of all installation sizes, the free increase in blowout pressure psF is shown relative to the volume flow qV. The characteristics relate to a density $\rho_1 = 1.2 \text{ kg/m}^3$ of the conveying medium. Increase in pressure and drive power will alter in proportion to the density. The levels of efficiency η_{sa} specified in the characteristics relate to the full system (impeller, motor, control unit).

Features and accessories

Description	Product name
Hand terminal for OJ-DV Controller, Protection Class IP21	OJ-DV-HMI-35T
Expansion card for status output "in operation" or "Alarm", built-in	OJ-DV-Relay-01
Installation kit 1 (contains spacers and screws)	ZBU 04
Installation kit 2 (contains spacers, screws and seals)	ZBU 05

Description	Product name
Protective grid to prevent contact on the inlet side	ZSG 04-0355
Inspection cover, fitted (set, consisting of two items)	IWI 06-3540
Universal control device (for installation of switch cabinet)	ERA 02-4000-5E
Differential pressure sensor	EIP 30

Planners and system manufacturers have a wide choice, when it comes to recommending an appropriate fan solution. This applies both for the specification of new air handling devices as well as the replacement of a fan as part of an energy-related modernisation project. Is a single, larger fan better suited or are several smaller fans more practicable? And if yes, which fan works better in a network?

The question about the "best" and most economic solution can really only be answered through a technical system analysis. Possible influencing factors are the fan design, fan type, installation conditions or acoustic requirements.



Advantages of multiple wall configurations (fangrids)

Smaller installation depth

When using free-running fans or fans with hybrid multiple scroll technology, there are advantages in terms of installation depth when compared with housing fans.

Uniform air flow

Fangrids are often associated with a more uniform flow and utilisation of the filter surface over the cross section of the AHU.

Redundant operation

If one or several fans should fail, the remaining fans can ensure that the system continues to operate temporarily.

Compact for tight installation conditions

Fitters appreciate the fact that the costs for installation and maintenance are sometimes lower, there is easier positioning in restricted engineering rooms as well as a certain flexibility in the layout.

Advantages of individual, larger fans

Effectiveness and efficiency

As a general rule, increasing fan size and output means that the efficiency level of similar systems increases. On the basis of the aerodynamic properties alone, the levels of efficiency increase with increasing installation size. What is even more crucial is the impact of the engine power on the level of overall efficiency - in particular for lower powers. The result will therefore always be a higher level of efficiency for one larger fan in comparison with several similar smaller fans arranged in parallel to carry out the same task with the corresponding lower power.

Acoustics and noise level

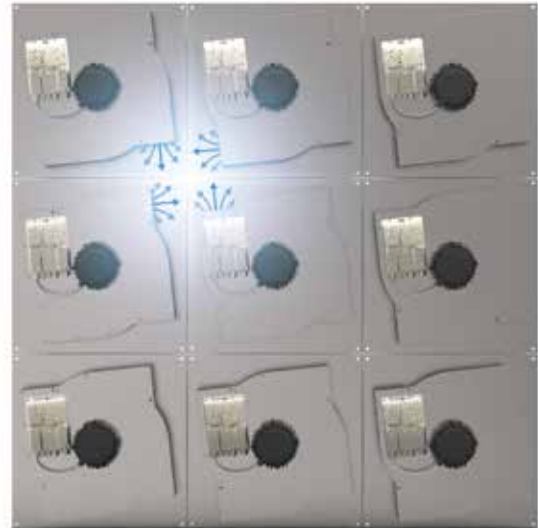
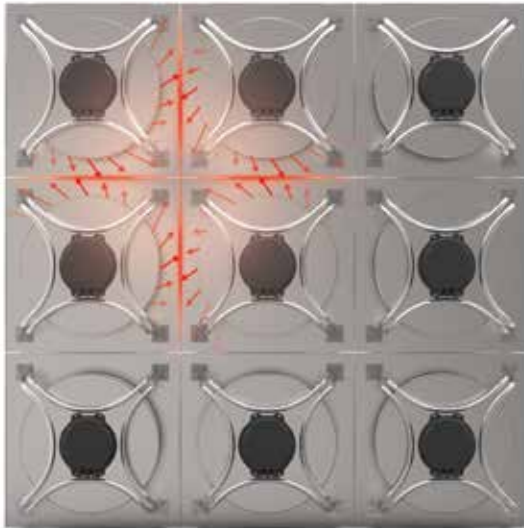
Acoustically, often with parallel operation of several fans the result is a higher noise level than with larger fans with the corresponding lower operating speed. The preferred method of installation does not have an impact on the absorbers.

Less installation effort

Above all in the area of energy-related modernisation, expense for electronics and their control systems - in comparison to casing fans - as well as the additional installation of a partition wall are a significant cost factor.

Depending on the planning requirements, a stackable modular system in various sizes is available for installing fangrids (see page 46). If, for example, as part of an energy-related modernisation, a large housing fan is to be replaced, then using modular construction there is no need to install an additional partition wall. With Nicotra Gebhardt "proSELECTA" software you can identify the most economic fan solution in each case - regardless of whether it's a system using free-running fans or a solution with hybrid technology.

Often, a solution with hybrid technology turns out to be more beneficial. We can explain why:



Fangrid with traditional free-running fans

Significant loss in flow
 It is only with sufficient installation space, regardless of the fan design, when selecting highly-efficient fan systems that you can also achieve high levels of system efficiency in the air conditioning unit and therefore the efficiency requirements of the air conditioning units are also properly fulfilled. The appropriate installation conditions are often ignored when installing fan walls. Air turbulence leads to further installation losses when using free-running fans.

Additional installation losses
 In order to avoid disruptive air turbulence between the fans, often partitions are used which are also a compromise. A further compromise between constricted spaces and disruptive air turbulence.

Higher level of noise
 Often there is an attempt to counteract a higher level of noise by means of noise-reducing measures.

Fangrid with hybrid MultiEvo technology

No loss in flow
 Usually, fans of a hybrid design with integrated re-direction device are particularly suitable for the creation of multiple wall configurations, as the airflows at the outlets do not obstruct each other. Significant installation losses can be disregarded, in comparison with free-running fans, even when in a network.

No installation losses
 The newly-developed hybrid fan system does not require any more space than that which is also recommended for free-running wheels, in order to avoid losses in flow in the sense of a high level of overall efficiency. In comparison with the catalogue data, which is determined on the fan test bench without installation loss, in practice, as well as the significantly higher level of fan efficiency, there is often also lower installation loss. Partitions to avoid air turbulence are not required.

Lower level of noise
 Due to the lower level of noise emitted by the system, then there is no need to take any further measures to reduce the noise level.

Description

	Value	Dim.
Installation acc. DIN 24163 Part 1	A	
Reference density (Rho1)	1,2	kg/m ³
Medium temperature (t)	20	C
Fan weight (m) basic device without accessories	25	kg

Feed data

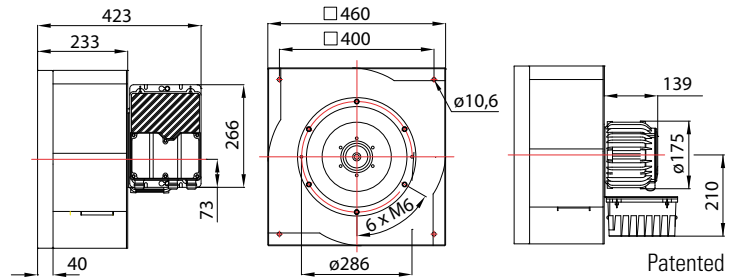
Main's frequency (f _N)	50/60	Hz
Voltage (U _N)	3~ 380-480	V

Rated motor data

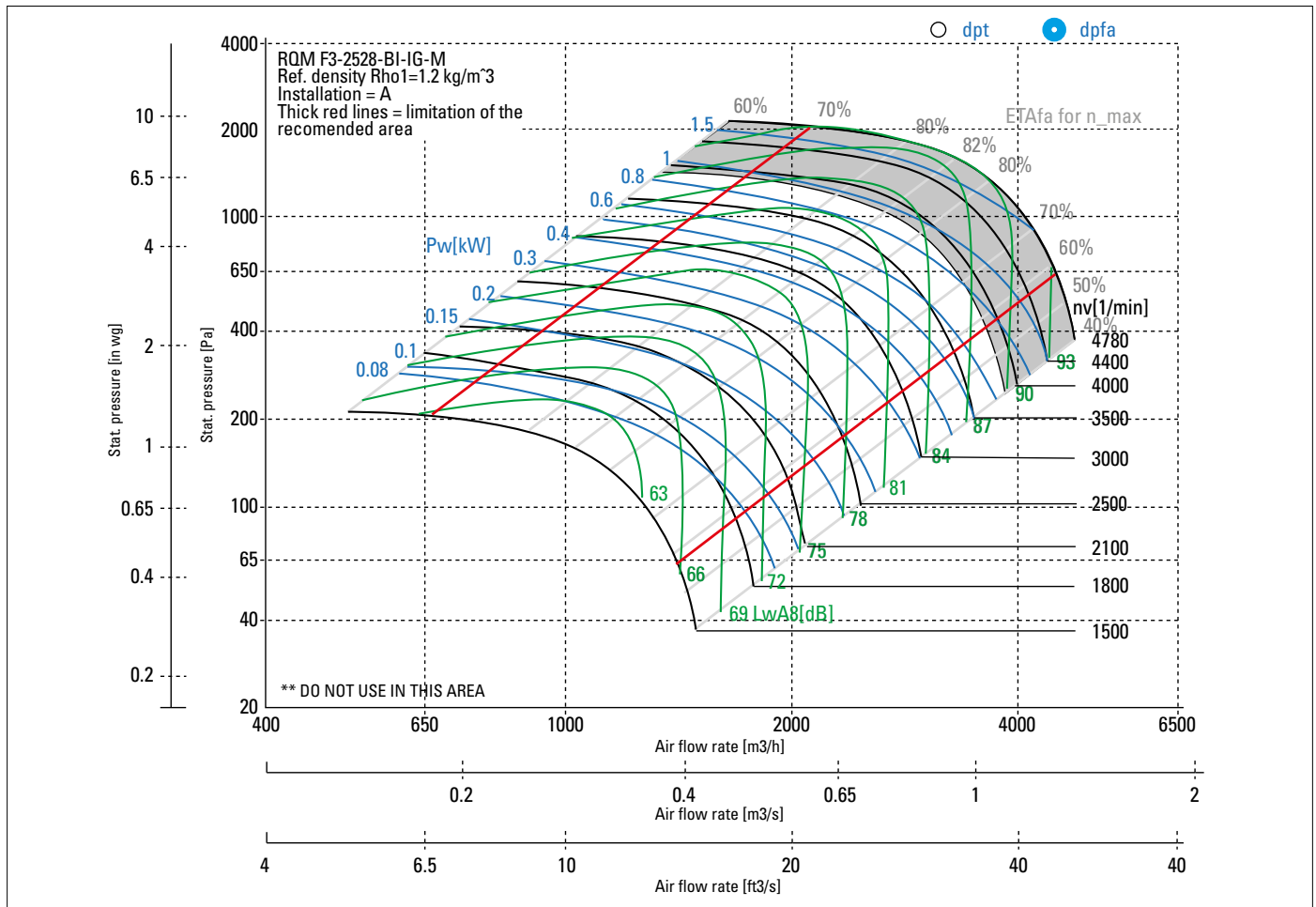
Phases-Voltage-Frequency	3-400-283	V-Hz
Frame size-No of poles	108-30 / IE5-10	
Power (P _N)	1.4	kW
Speed (n _N)	3400	1/min
Current (I _N)	3,5	A

operational limits

Max. fan speed (n _{max})	3850	1/min
Max. operating frequency (f _{max})	321	Hz
Temp. range for conveying medium (t _{min} ...t _{max})	-20...40	C



Patented technologie



Technical Data according to ErP-REGULATION 327/2011/EU

Overall efficiency (η _{se})	77,6 %
Measurement category	A
Efficiency category	statisch
Achieved efficiency grade (N _{ist})	87,3
Speed control	integriert
Year of manufacture	Is shown on the relevant rating plate for the product
Manufacturer	Nicotra Gebhardt GmbH, 74638 Waldenburg (Germany)
Type Model number	RQM F3-2528-BI-IG-M
Motor input power (P _{e,opt})	1,18 kW

Flow rate (q _{v,opt})	2655 m ³ /h
Pressure (p _{sf,opt})	1241 Pa
Speed (N _{opt})	3850 min-1
Specific ratio (p ₂ /p ₁)	1,012
Disposal/Recycling:	Information on recycling and disposal is provided in the operating instruction.
Information on maintenance:	Information on installation, operation and maintenance is provided in the operating instructions.
Additional components:	The measurements do not use components which are not part of the fan.

Description

	Value	Dim.
Installation acc. DIN 24163 Part 1		A
Reference density (Rho1)	1,2	kg/m ³
Medium temperature (t)	20	C
Fan weight (m) basic device without accessories	30	kg

Feed data

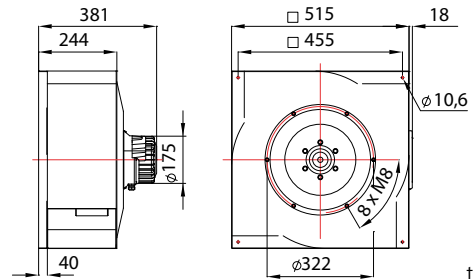
Main's frequency (f _N)	50/60	Hz
Voltage (U _N)	3~ 380-480	V

Rated motor data

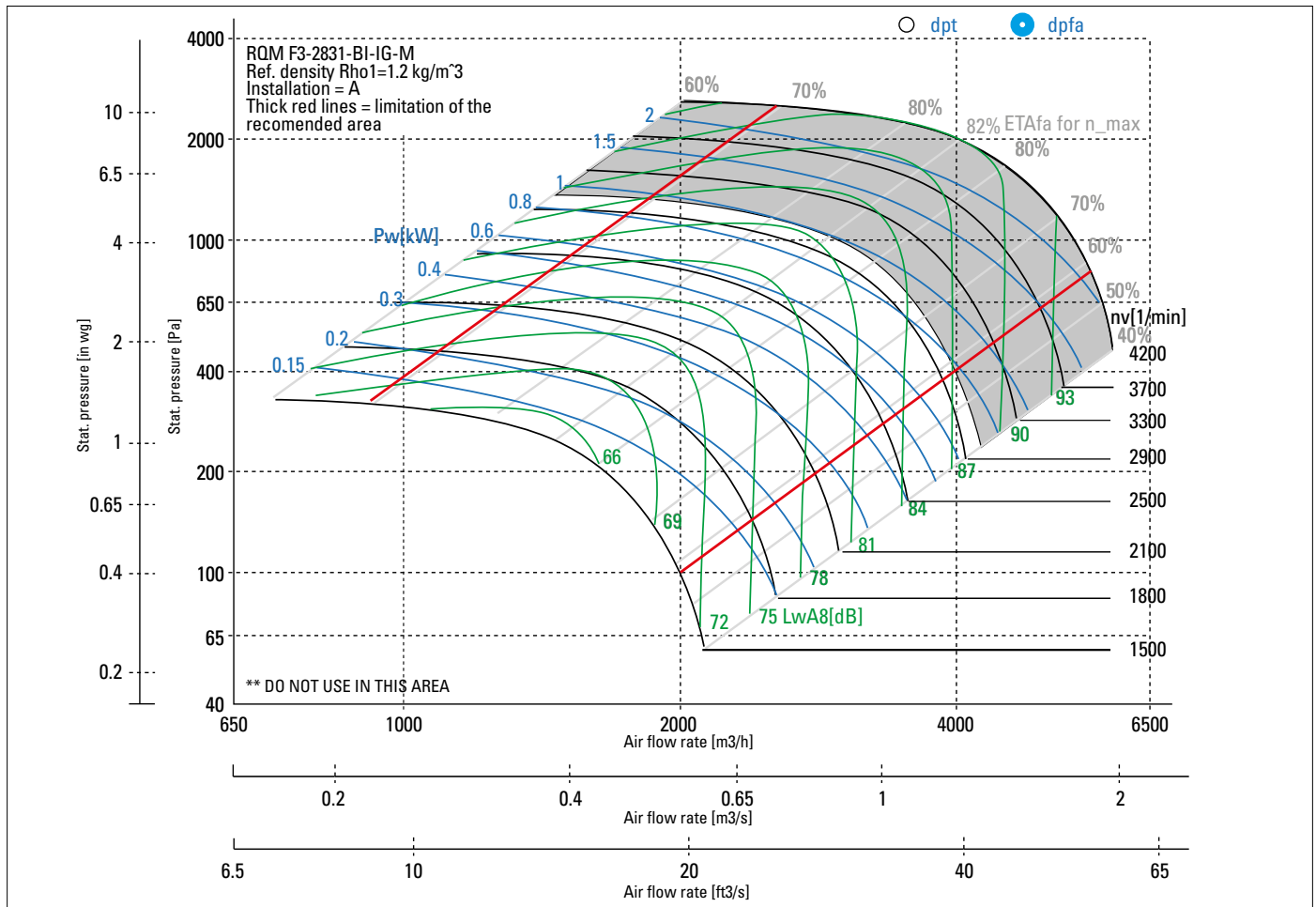
Phases-Voltage-Frequency	3-400-283	V-Hz
Frame size-No of poles	108-30 / IE5-10	
Power (P _N)	1.4	kW
Speed (n _N)	3400	1/min
Current (I _N)	3,5	A

operational limits

Max. fan speed (n _{max})	3000	1/min
Max. operating frequency (f _{max})	250	Hz
Temp. range for conveying medium (t _{min} ...t _{max})	-20...40	C



Patented technologie



Technical Data according to ErP-REGULATION 327/2011/EU

Overall efficiency (η _{se})	76,1 %
Measurement category	A
Efficiency category	statisch
Achieved efficiency grade (N _{ist})	86,4
Speed control	integriert
Year of manufacture	Is shown on the relevant rating plate for the product
Manufacturer	Nicotra Gebhardt GmbH, 74638 Waldenburg (Germany)
Type Model number	RQM F3-2831-BI-IG-M
Motor input power (P _{e,opt})	1,06 kW

Flow rate (q _{v,opt})	2899 m ³ /h
Pressure (p _{s,opt})	1005 Pa
Speed (n _{opt})	3000 min ⁻¹
Specific ratio (p ₂ /p ₁)	1,010
Disposal/Recycling:	Information on recycling and disposal is provided in the operating instruction.
Information on maintenance:	Information on installation, operation and maintenance is provided in the operating instructions.
Additional components:	The measurements do not use components which are not part of the fan.

Description

	Value	Dim.
Installation acc. DIN 24163 Part 1		A
Reference density (Rho1)	1,2	kg/m ³
Medium temperature (t)	20	C
Fan weight (m) basic device without accessories	32	kg

Feed data

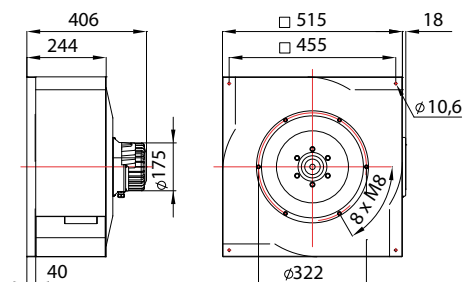
Main's frequency (f _N)	50/60	Hz
Voltage (U _N)	3~ 380-480	V

Rated motor data

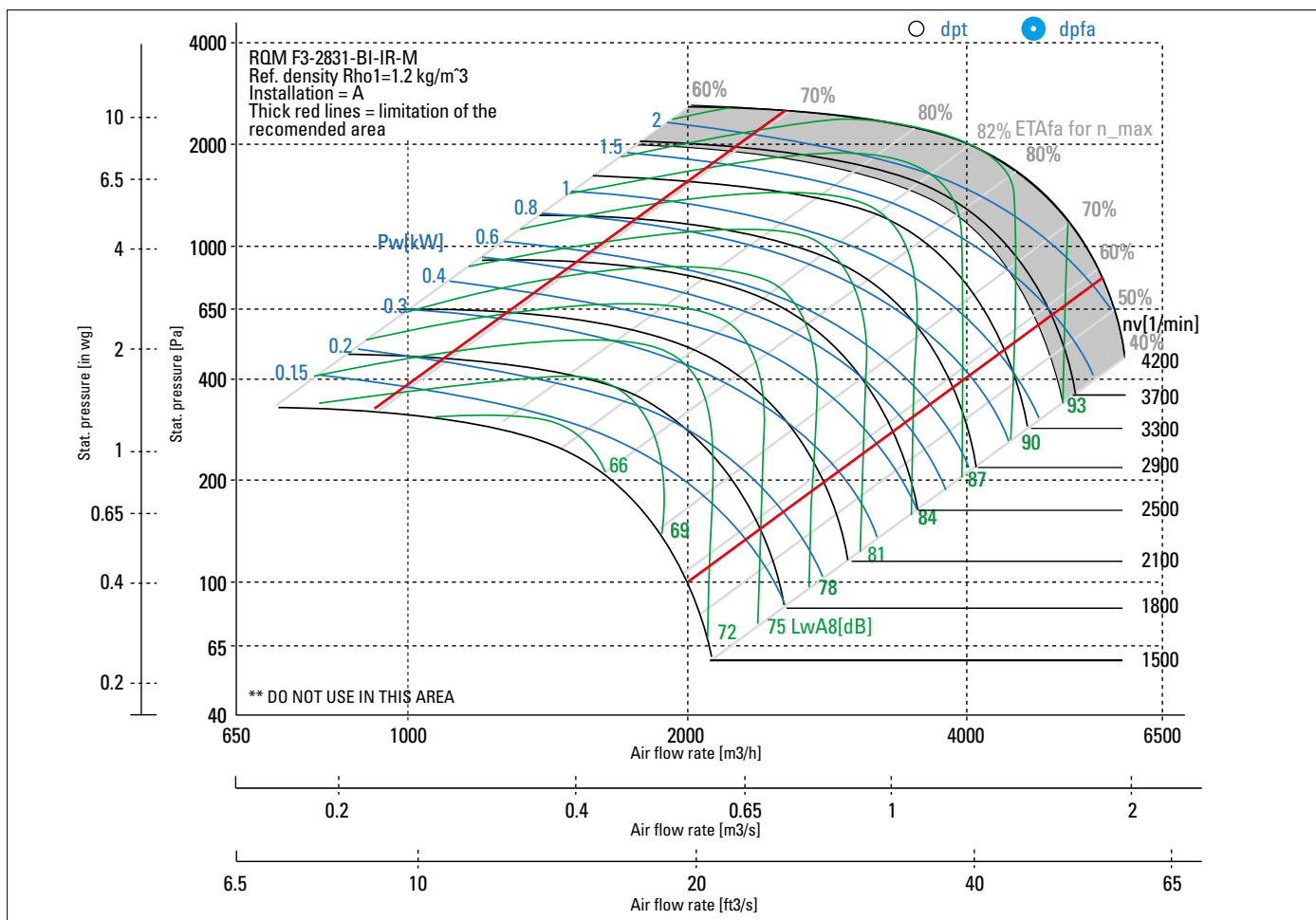
Phases-Voltage-Frequency	3-400-258	V-Hz
Frame size-No of poles	108-55 / IE5-10	
Power (P _N)	1.95	kW
Speed (n _N)	3100	1/min
Current (I _N)	4,5	A

operational limits

Max. fan speed (n _{v_max})	3600	1/min
Max. operating frequency (f _{max})	300	Hz
Temp. range for conveying medium (t _{min} ...t _{max})	-20...40	C



Patented technologie



Technical Data according to ErP-REGULATION 327/2011/EU

Overall efficiency (η _{se})	76,9 %
Measurement category	A
Efficiency category	statisch
Achieved efficiency grade (N _{ist})	84,7
Speed control	integriert
Year of manufacture	Is shown on the relevant rating plate for the product
Manufacturer	Nicotra Gebhardt GmbH, 74638 Waldenburg (Germany)
Type Model number	RQM F3-2831-BI-IR-M
Motor input power (P _{e,opt})	1,82 kW

Flow rate (q _{v,opt})	3479 m ³ /h
Pressure (p _{se,opt})	1447 Pa
Speed (N _{opt})	3600 min-1
Specific ratio (p ₂ /p ₁)	1,014
Disposal/Recycling: Information on recycling and disposal is provided in the operating instruction.	
Information on maintenance: Information on installation, operation and maintenance is provided in the operating instructions.	
Additional components: The measurements do not use components which are not part of the fan.	

Description

	Value	Dim.
Installation acc. DIN 24163 Part 1		A
Reference density (Rho1)	1,2	kg/m ³
Medium temperature (t)	20	C
Fan weight (m) basic device without accessories	30,9	kg

Feed data

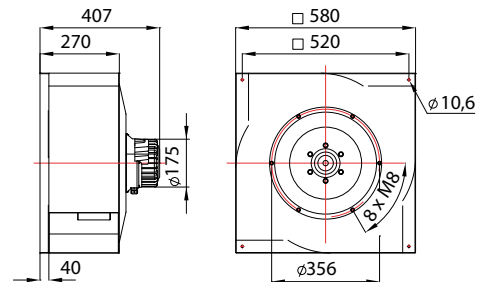
Main's frequency (f _N)	50/60	Hz
Voltage (U _N)	3~ 380-480	V

Rated motor data

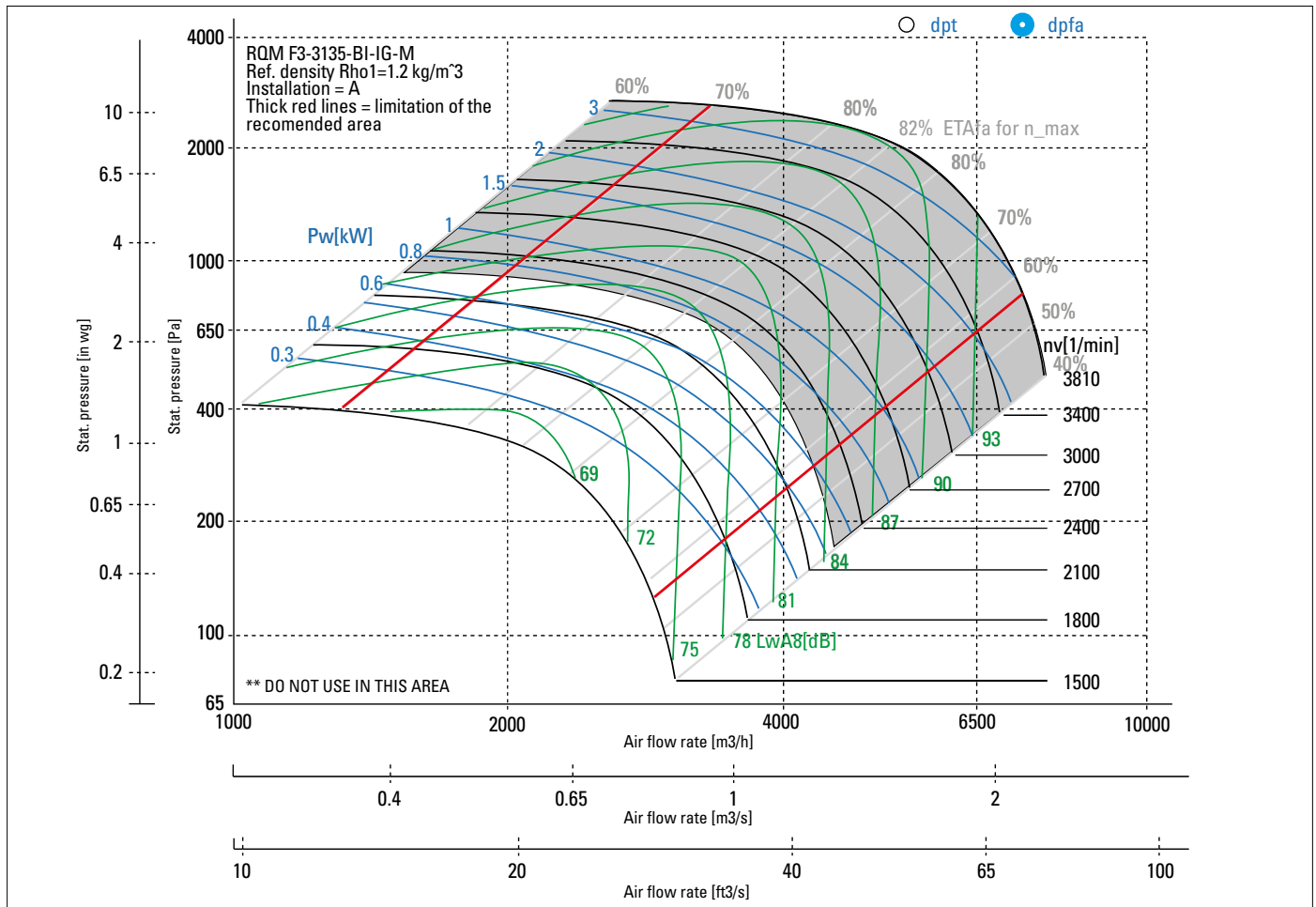
Phases-Voltage-Frequency	3-400-283	V-Hz
Frame size-No of poles	108-30 / IE5-10	
Power (P _N)	1.4	kW
Speed (n _N)	3400	1/min
Current (I _N)	3,5	A

operational limits

Max. fan speed (n _{max})	2250	1/min
Max. operating frequency (f _{max})	188	Hz
Temp. range for conveying medium (t _{min} ...t _{max})	-20...40	C



Patented technologie



Technical Data according to ErP-REGULATION 327/2011/EU

Overall efficiency (η _{se})	77,1 %
Measurement category	A
Efficiency category	statisch
Achieved efficiency grade (N _{ist})	88,5
Speed control	integriert
Year of manufacture	Is shown on the relevant rating plate for the product
Manufacturer	Nicotra Gebhardt GmbH, 74638 Waldenburg (Germany)
Typ Modellnummer	RQM F3-3135-BI-IG-M
Motoreingangsleistung (P _{e,opt})	0,808 kW

Flow rate (q _{v,opt})	3123 m ³ /h
Pressure (p _{s,opt})	718 Pa
Speed (N _{opt})	2250 min ⁻¹
Specific ratio (p ₂ /p ₁)	1,007
Disposal/Recycling:	Information on recycling and disposal is provided in the operating instruction.
Information on maintenance:	Information on installation, operation and maintenance is provided in the operating instructions.
Additional components:	The measurements do not use components which are not part of the fan.

Description

	Value	Dim.
Installation acc. DIN 24163 Part 1		A
Reference density (Rho1)	1,2	kg/m ³
Medium temperature (t)	20	C
Fan weight (m) basic device without accessories	36,2	kg

Feed data

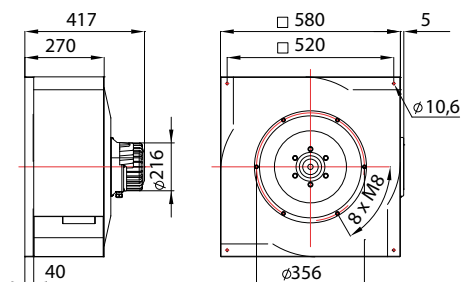
Main's frequency (f _N)	50/60	Hz
Voltage (U _N)	3~ 380-480	V

Rated motor data

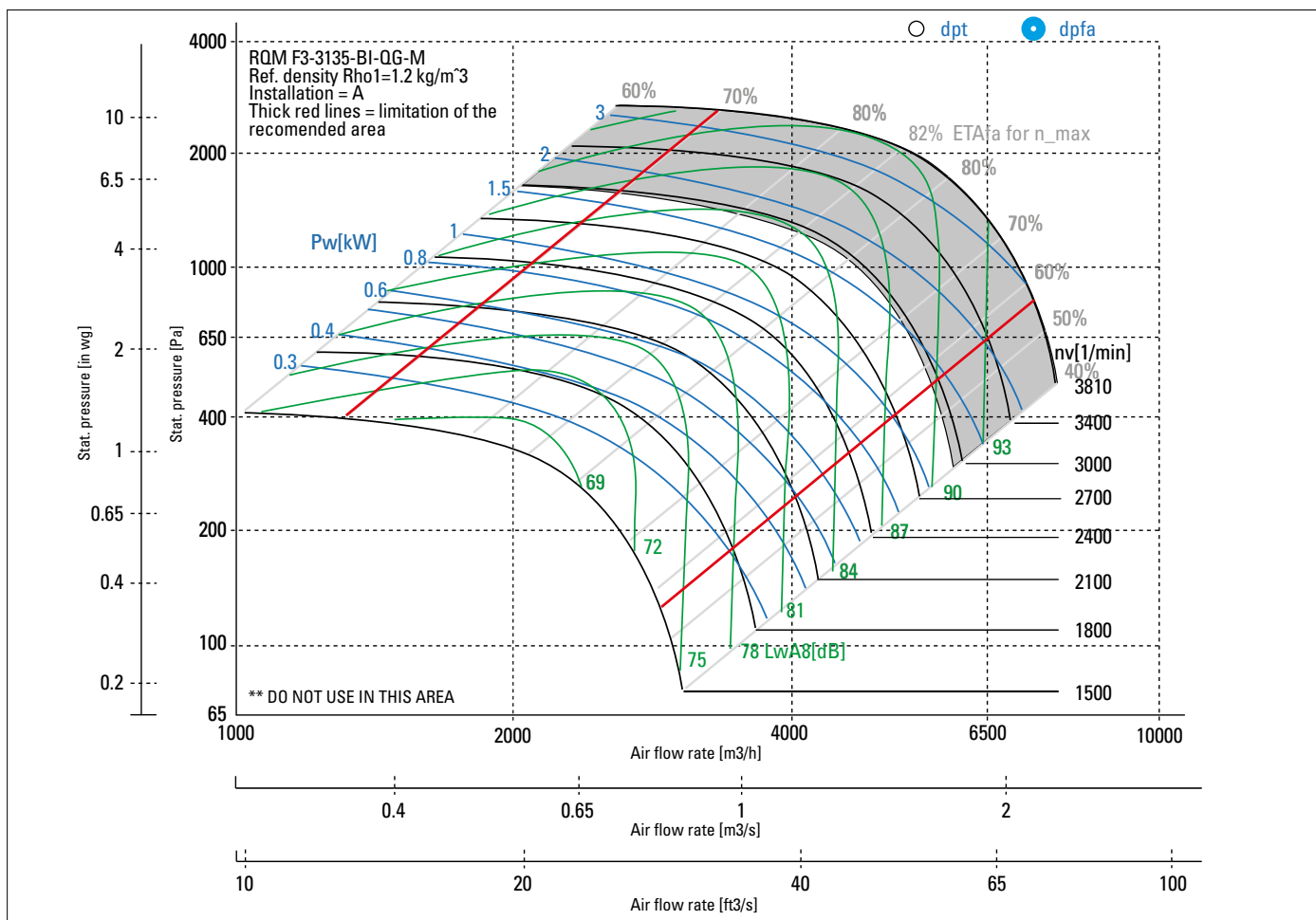
Phases-Voltage-Frequency	3~400-188	V-Hz
Frame size-No of poles	150-45 / IE5-10	
Power (P _N)	2.1	kW
Speed (n _N)	2250	1/min
Current (I _N)	5	A

operational limits

Max. fan speed (n _{v_max})	2950	1/min
Max. operating frequency (f _{max})	246	Hz
Temp. range for conveying medium (t _{min} ...t _{max})	-20...40	C



Patented technologie



Technical Data according to ErP-REGULATION 327/2011/EU

Overall efficiency (η _{se})	78,6 %
Measurement category	A
Efficiency category	statisch
Achieved efficiency grade (N _{ist})	86,5
Speed control	integriert
Year of manufacture	Is shown on the relevant rating plate for the product
Manufacturer	Nicotra Gebhardt GmbH, 74638 Waldenburg (Germany)
Type Model number	RQM F3-3135-BI-QG-M
Motor input power (P _{e,opt})	1,79 kW

Flow rate (q _{v,opt})	4094 m ³ /h
Pressure (p _{s,opt})	1234 Pa
Speed (N _{opt})	2950 min ⁻¹
Specific ratio (p ₂ /p ₁)	1,012
Disposal/Recycling:	Information on recycling and disposal is provided in the operating instruction.
Information on maintenance:	Information on installation, operation and maintenance is provided in the operating instructions.
Additional components:	The measurements do not use components which are not part of the fan.

Description

	Value	Dim.
Installation acc. DIN 24163 Part 1		A
Reference density (Rho1)	1,2	kg/m ³
Medium temperature (t)	20	C
Fan weight (m) basic device without accessories	45,9	kg

Feed data

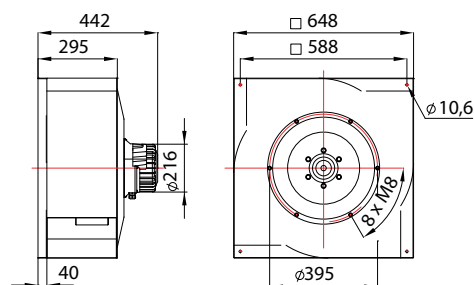
Main's frequency (f _N)	50/60	Hz
Voltage (U _N)	3~ 380-480	V

Rated motor data

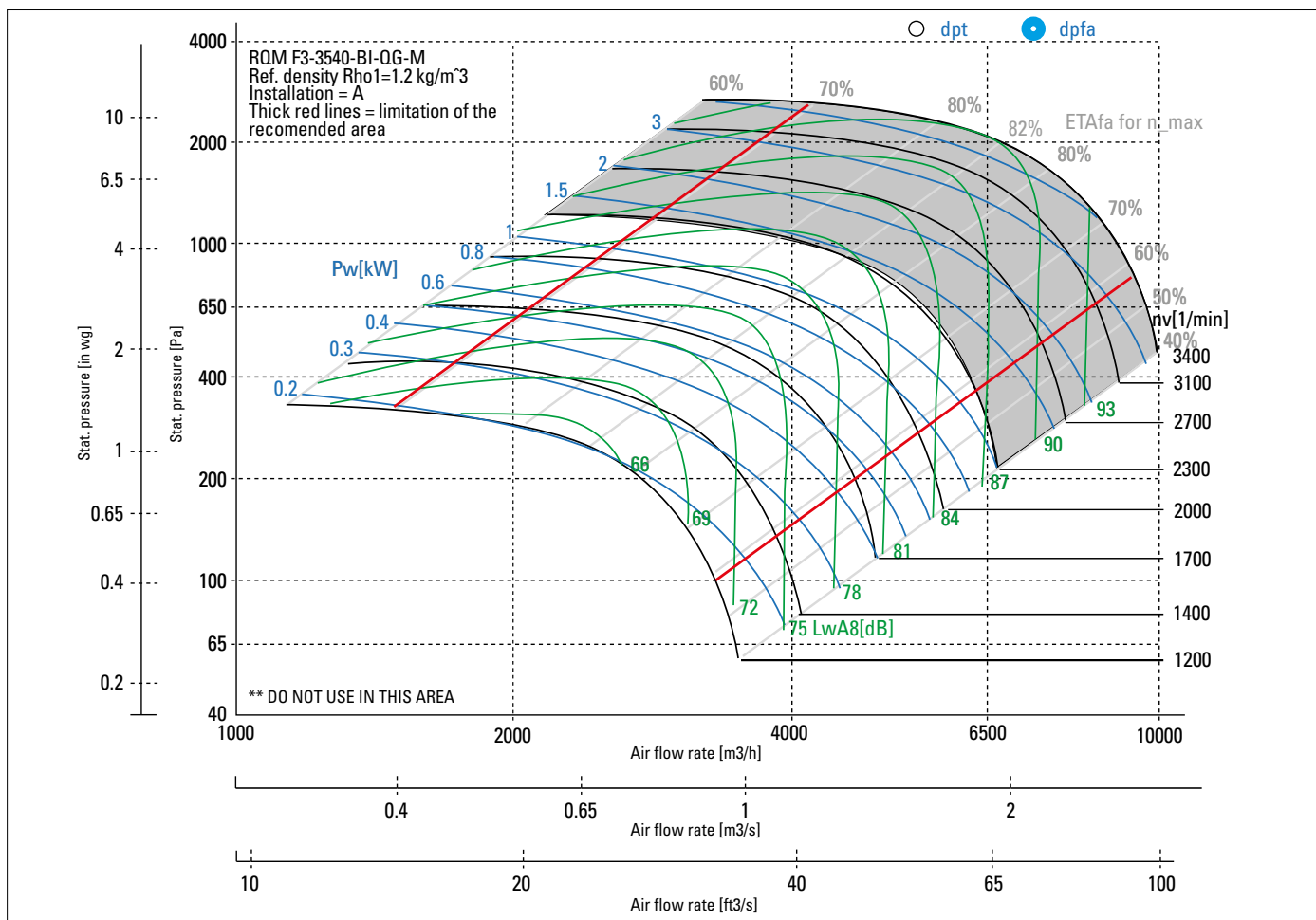
Phases-Voltage-Frequency	3-400-188	V-Hz
Frame size-No of poles	150-45 / IE5-10	
Power (P _N)	2.1	kW
Speed (n _N)	2250	1/min
Current (I _N)	5	A

operational limits

Max. fan speed (n _{max})	2300	1/min
Max. operating frequency (f _{max})	192	Hz
Temp. range for conveying medium (t _{min} ...t _{max})	-20...40	C



Patented technologie



Technical Data according to ErP-REGULATION 327/2011/EU

Overall efficiency (η _{se})	78,5 %
Measurement category	A
Efficiency category	statisch
Achieved efficiency grade (N _{ist})	87,2
Speed control	integriert
Year of manufacture	Is shown on the relevant rating plate for the product
Manufacturer	Nicotra Gebhardt GmbH, 74638 Waldenburg (Germany)
Type Model number	RQM F3-3540-BI-QG-M
Motor input power (P _{e,opt})	1,49 kW

Flow rate (q _{v,opt})	4580 m ³ /h
Pressure (p _{s,opt})	921 Pa
Speed (n _{opt})	2300 min ⁻¹
Specific ratio (p ₂ /p ₁)	1,009
Disposal/Recycling: Information on recycling and disposal is provided in the operating instruction.	
Information on maintenance: Information on installation, operation and maintenance is provided in the operating instructions.	
Additional components: The measurements do not use components which are not part of the fan.	

Description

	Value	Dim.
Installation acc. DIN 24163 Part 1		A
Reference density (Rho1)	1,2	kg/m ³
Medium temperature (t)	20	C
Fan weight (m) basic device without accessories	49,9	kg

Feed data

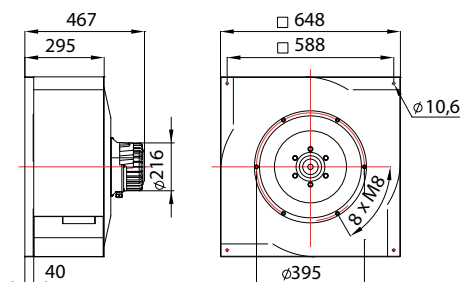
Main's frequency (f _N)	50/60	Hz
Voltage (U _N)	3~ 380-480	V

Rated motor data

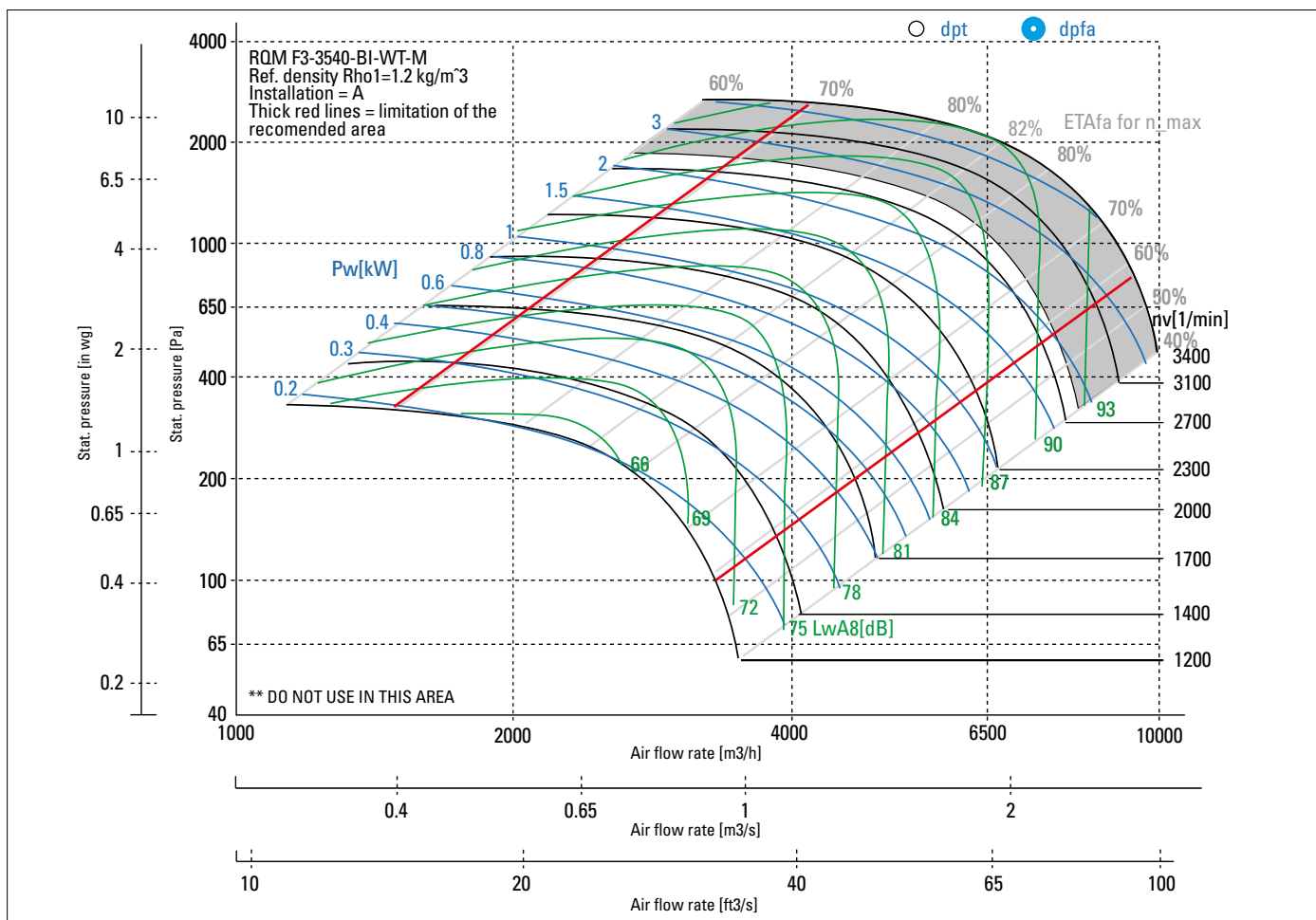
Phases-Voltage-Frequency	3-400-158	V-Hz
Frame size-No of poles	150-70 / IE5-10	
Power (P _N)	2.8	kW
Speed (n _N)	1900	1/min
Current (I _N)	7	A

operational limits

Max. fan speed (n _{max})	2800	1/min
Max. operating frequency (f _{max})	233	Hz
Temp. range for conveying medium (t _{min} ...t _{max})	-20...40	C



Patented technologie



Technical Data according to ErP-REGULATION 327/2011/EU

Overall efficiency (η _{se})	77,5 %
Measurement category	A
Efficiency category	statisch
Achieved efficiency grade (N _{ist})	83,4
Speed control	integriert
Year of manufacture	Is shown on the relevant rating plate for the product
Manufacturer	Nicotra Gebhardt GmbH, 74638 Waldenburg (Germany)
Type Model number	RQM F3-3540-BI-WT-M
Motor input power (P _{e,opt})	2,73 kW

Flow rate (q _{v,opt})	5576 m ³ /h
Pressure (p _{s,opt})	1365 Pa
Speed (N _{opt})	2800 min ⁻¹
Specific ratio (p ₂ /p ₁)	1,014
Disposal/Recycling:	Information on recycling and disposal is provided in the operating instruction.
Information on maintenance:	Information on installation, operation and maintenance is provided in the operating instructions.
Additional components:	The measurements do not use components which are not part of the fan.

Description

	Value	Dim.
Installation acc. DIN 24163 Part 1		A
Reference density (Rho1)	1,2	kg/m ³
Medium temperature (t)	20	C
Fan weight (m) basic device without accessories	54	kg

Feed data

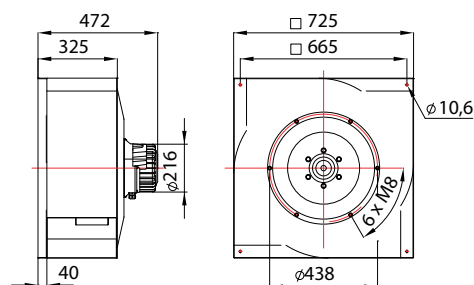
Main's frequency (f _N)	50/60	Hz
Voltage (U _N)	3~ 380-480	V

Rated motor data

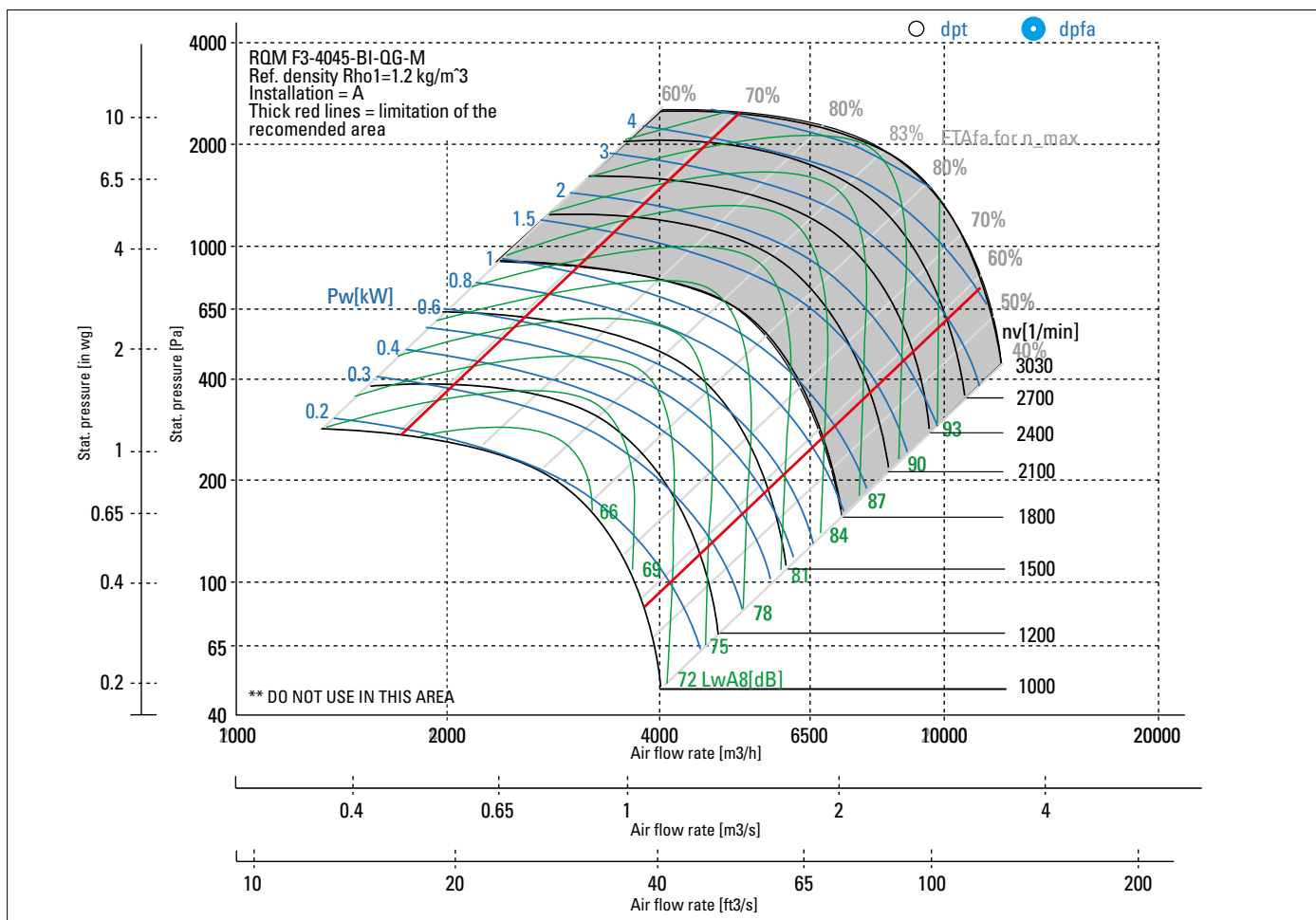
Phases-Voltage-Frequency	3~400-188	V-Hz
Frame size-No of poles	150-45 / IE5-10	
Power (P _N)	2.1	kW
Speed (n _N)	2250	1/min
Current (I _N)	5	A

operational limits

Max. fan speed (n _{max})	1780	1/min
Max. operating frequency (f _{max})	149	Hz
Temp. range for conveying medium (t _{min} ...t _{max})	-20...40	C



Patented technologie



Technical Data according to ErP-REGULATION 327/2011/EU

Overall efficiency (η _{se})	79,3 %
Measurement category	A
Efficiency category	statisch
Achieved efficiency grade (N _{ist})	89,1
Speed control	integriert
Year of manufacture	Is shown on the relevant rating plate for the product
Manufacturer	Nicotra Gebhardt GmbH, 74638 Waldenburg (Germany)
Type Model number	RQM F3-4045-BI-QG-M
Motor input power (P _{e,opt})	1,16 kW

Flow rate (q _{v,opt})	4840 m ³ /h
Pressure (p _{sf,opt})	682 Pa
Speed (N _{opt})	1780 min-1
Specific ratio (p ₂ /p ₁)	1,007
Disposal/Recycling:	Information on recycling and disposal is provided in the operating instruction.
Information on maintenance:	Information on installation, operation and maintenance is provided in the operating instructions.
Additional components:	The measurements do not use components which are not part of the fan.

Description

	Value	Dim.
Installation acc. DIN 24163 Part 1		A
Reference density (Rho1)	1,2	kg/m ³
Medium temperature (t)	20	C
Fan weight (m) basic device without accessories	69	kg

Feed data

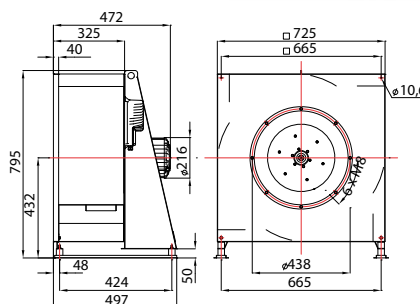
Main's frequency (f _N)	50/60	Hz
Voltage (U _N)	3~ 380-480	V

Rated motor data

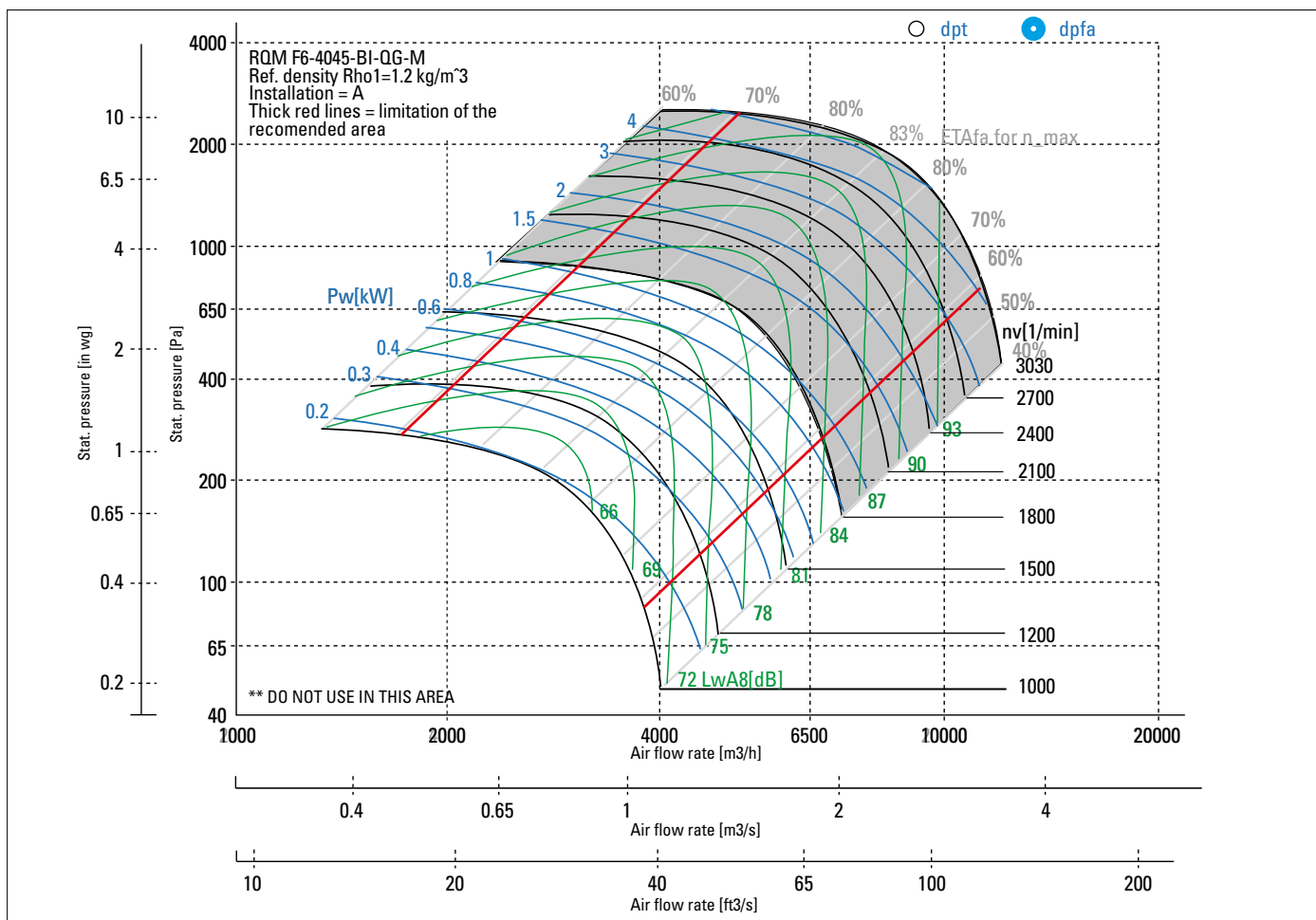
Phases-Voltage-Frequency	3~400-188	V-Hz
Frame size-No of poles	150-45 / IE5-10	
Power (P _N)	2.1	kW
Speed (n _N)	2250	1/min
Current (I _N)	5	A

operational limits

Max. fan speed (n _{max})	1780	1/min
Max. operating frequency (f _{max})	149	Hz
Temp. range for conveying medium (t _{min} ...t _{max})	-20...40	C



Patented technologie



Technical Data according to ErP-REGULATION 327/2011/EU

Overall efficiency (η _{se})	79,3 %
Measurement category	A
Efficiency category	statisch
Achieved efficiency grade (N _{ist})	89,1
Speed control	integriert
Year of manufacture	Is shown on the relevant rating plate for the product
Manufacturer	Nicotra Gebhardt GmbH, 74638 Waldenburg (Germany)
Type Model number	RQM F6-4045-BI-QG-M
Motor input power (P _{e,opt})	1,16 kW

Flow rate (q _{v,opt})	4840 m ³ /h
Pressure (p _{sf,opt})	682 Pa
Speed (N _{opt})	1780 min-1
Specific ratio (p ₂ /p ₁)	1,007
Disposal/Recycling: Information on recycling and disposal is provided in the operating instruction.	
Information on maintenance: Information on installation, operation and maintenance is provided in the operating instructions.	
Additional components: The measurements do not use components which are not part of the fan.	

Description

	Value	Dim.
Installation acc. DIN 24163 Part 1	A	
Reference density (Rho1)	1,2	kg/m ³
Medium temperature (t)	20	C
Fan weight (m) basic device without accessories	58	kg

Feed data

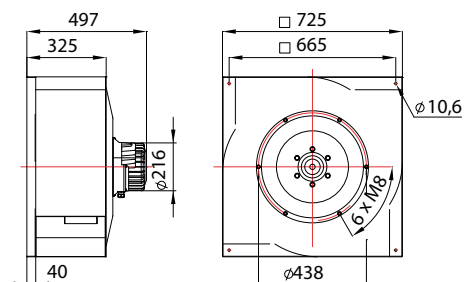
Main's frequency (f _N)	50/60	Hz
Voltage (U _N)	3~ 380-480	V

Rated motor data

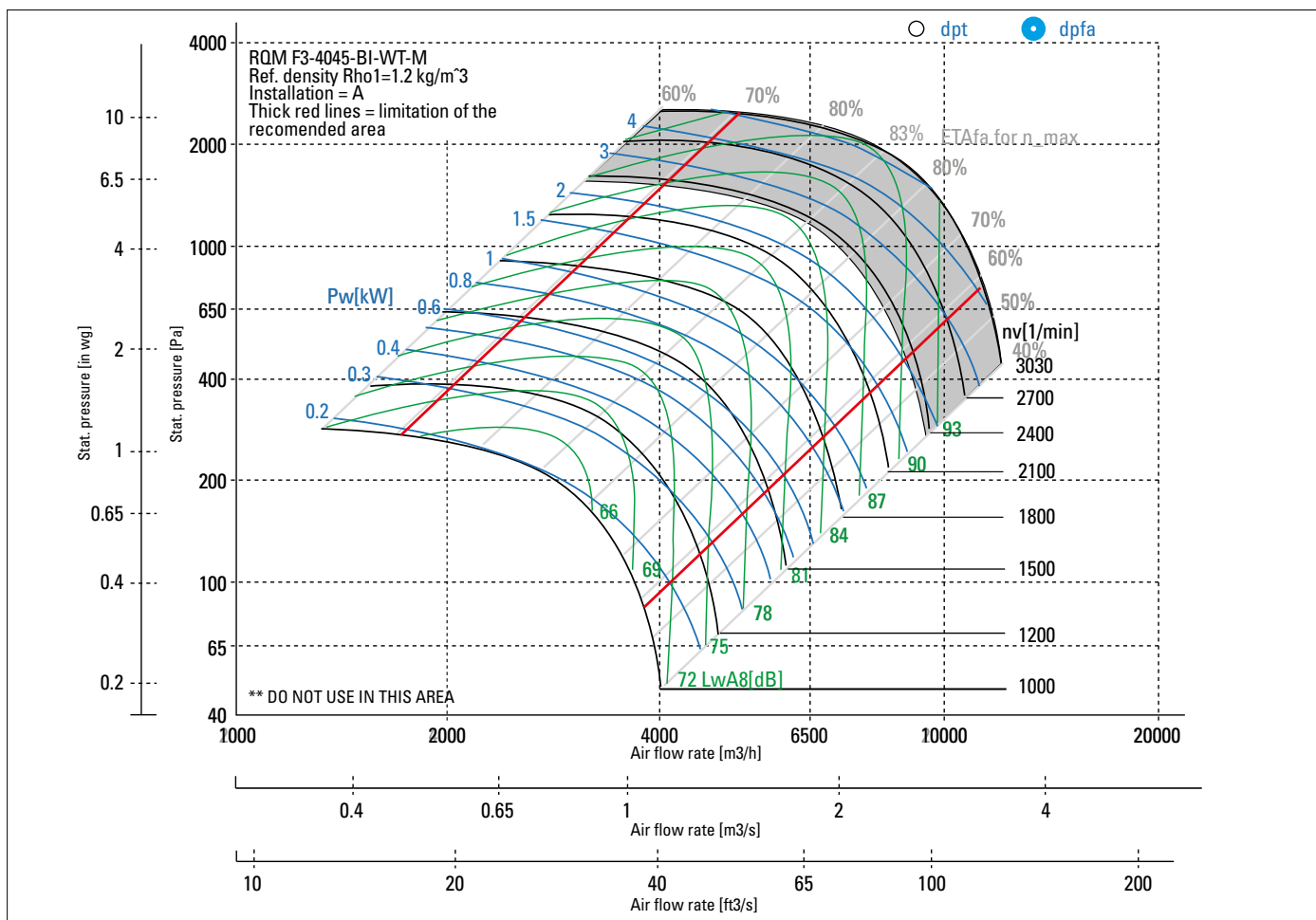
Phases-Voltage-Frequency	3-400-158	V-Hz
Frame size-No of poles	150-70 / IE5-10	
Power (P _N)	2.8	kW
Speed (n _N)	1900	1/min
Current (I _N)	7	A

operational limits

Max. fan speed (n _{vmax})	2350	1/min
Max. operating frequency (f _{max})	196	Hz
Temp. range for conveying medium (t _{min} ...t _{max})	-20...40	C



Patented technologie



Technical Data according to ErP-REGULATION 327/2011/EU

Overall efficiency (η _{se})	77,6 %
Measurement category	A
Efficiency category	statisch
Achieved efficiency grade (N _{ist})	83,5
Speed control	integriert
Year of manufacture	Is shown on the relevant rating plate for the product
Manufacturer	Nicotra Gebhardt GmbH, 74638 Waldenburg (Germany)
Type Model number	RQM F3-4045-BI-WT-M
Motor input power (P _{e,opt})	2,72 kW

Flow rate (q _{v,opt})	6390 m ³ /h
Pressure (p _{sf,opt})	1189 Pa
Speed (N _{opt})	2350 min ⁻¹
Specific ratio (p ₂ /p ₁)	1,012
Disposal/Recycling: Information on recycling and disposal is provided in the operating instruction.	
Information on maintenance: Information on installation, operation and maintenance is provided in the operating instructions.	
Additional components: The measurements do not use components which are not part of the fan.	

Description

	Value	Dim.
Installation acc. DIN 24163 Part 1		A
Reference density (Rho1)	1,2	kg/m ³
Medium temperature (t)	20	C
Fan weight (m) basic device without accessories	73	kg

Feed data

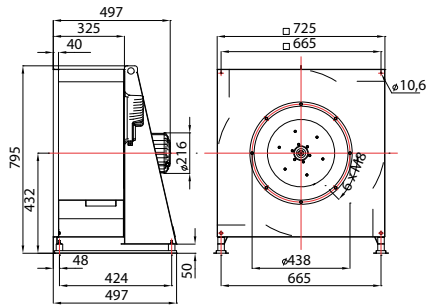
Main's frequency (f _N)	50/60	Hz
Voltage (U _N)	3~ 380-480	V

Rated motor data

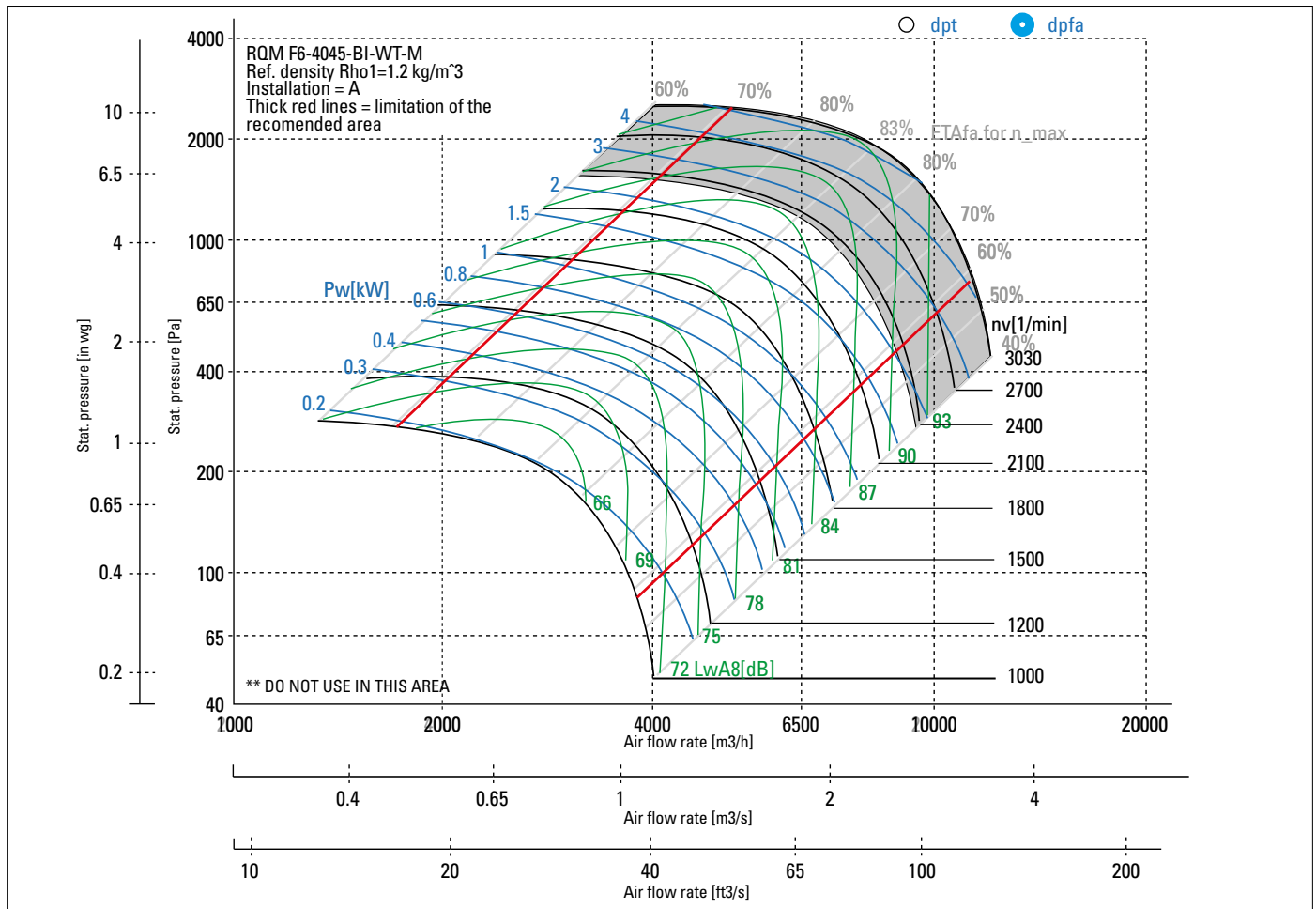
Phases-Voltage-Frequency	3~400-158	V-Hz
Frame size-No of poles	150-70 / IE5-10	
Power (P _N)	2.8	kW
Speed (n _N)	1900	1/min
Current (I _N)	7	A

operational limits

Max. fan speed (n _{max})	2350	1/min
Max. operating frequency (f _{max})	196	Hz
Temp. range for conveying medium (t _{min} ...t _{max})	-20...40	C



Patented technologie



Technical Data according to ErP-REGULATION 327/2011/EU

Overall efficiency (η _{se})	77,6 %
Measurement category	A
Efficiency category	statisch
Achieved efficiency grade (N _{ist})	83,5
Speed control	integriert
Year of manufacture	Is shown on the relevant rating plate for the product
Manufacturer	Nicotra Gebhardt GmbH, 74638 Waldenburg (Germany)
Type Model number	RQM F6-4045-BI-WT-M
Motor input power (P _{e,opt})	2,72 kW

Flow rate (q _{v,opt})	6390 m ³ /h
Pressure (p _{sf,opt})	1189 Pa
Speed (N _{opt})	2350 min-1
Specific ratio (p ₂ /p ₁)	1,012
Disposal/Recycling:	Information on recycling and disposal is provided in the operating instruction.
Information on maintenance:	Information on installation, operation and maintenance is provided in the operating instructions.
Additional components:	The measurements do not use components which are not part of the fan.

Description

	Value	Dim.
Installation acc. DIN 24163 Part 1		A
Reference density (Rho1)	1,2	kg/m ³
Medium temperature (t)	20	C
Fan weight (m) basic device without accessories	70,4	kg

Feed data

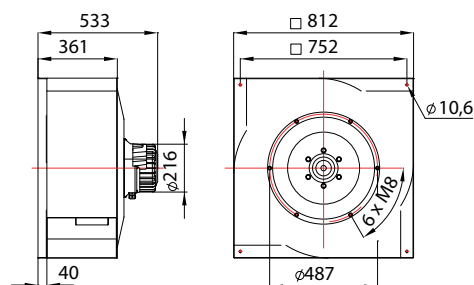
Main's frequency (f _N)	50/60	Hz
Voltage (U _N)	3~ 380-480	V

Rated motor data

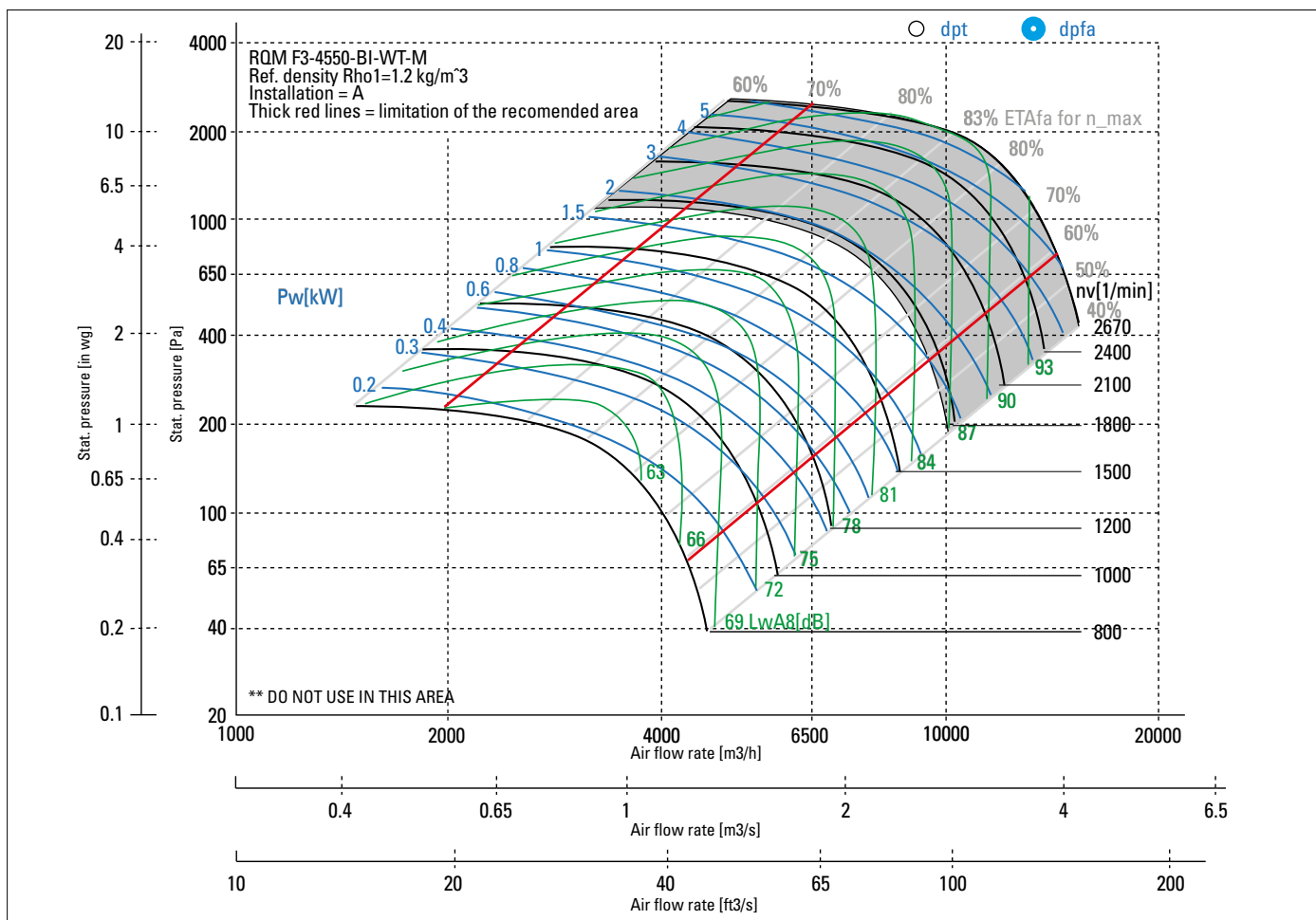
Phases-Voltage-Frequency	3-400-158	V-Hz
Frame size-No of poles	150-70 / IE5-10	
Power (P _N)	2.8	kW
Speed (n _N)	1900	1/min
Current (I _N)	7	A

operational limits

Max. fan speed (n _{max})	1750	1/min
Max. operating frequency (f _{max})	146	Hz
Temp. range for conveying medium (t _{min} ...t _{max})	-20...40	C



Patented technologie



Technical Data according to ErP-REGULATION 327/2011/EU

Overall efficiency (η _{se})	78,9 %
Measurement category	A
Efficiency category	statisch
Achieved efficiency grade (N _{ist})	86,2
Speed control	integriert
Year of manufacture	Is shown on the relevant rating plate for the product
Manufacturer	Nicotra Gebhardt GmbH, 74638 Waldenburg (Germany)
Type Model number	RQM F3-4550-BI-WT-M
Motor input power (P _{e,opt})	2,03 kW

Flow rate (q _{v,opt})	6805 m ³ /h
Pressure (p _{se,opt})	847 Pa
Speed (N _{opt})	1750 min-1
Specific ratio (p ₂ /p ₁)	1,008
Disposal/Recycling: Information on recycling and disposal is provided in the operating instruction.	
Information on maintenance: Information on installation, operation and maintenance is provided in the operating instructions.	
Additional components: The measurements do not use components which are not part of the fan.	

Description

	Value	Dim.
Installation acc. DIN 24163 Part 1		A
Reference density (Rho1)	1,2	kg/m ³
Medium temperature (t)	20	C
Fan weight (m) basic device without accessories	91	kg

Feed data

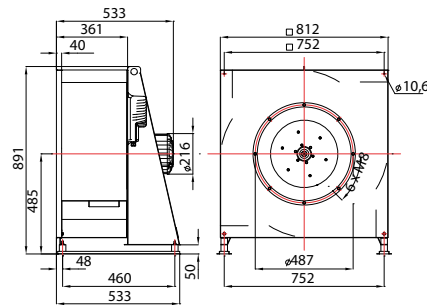
Main's frequency (f _N)	50/60	Hz
Voltage (U _N)	3~ 380-480	V

Rated motor data

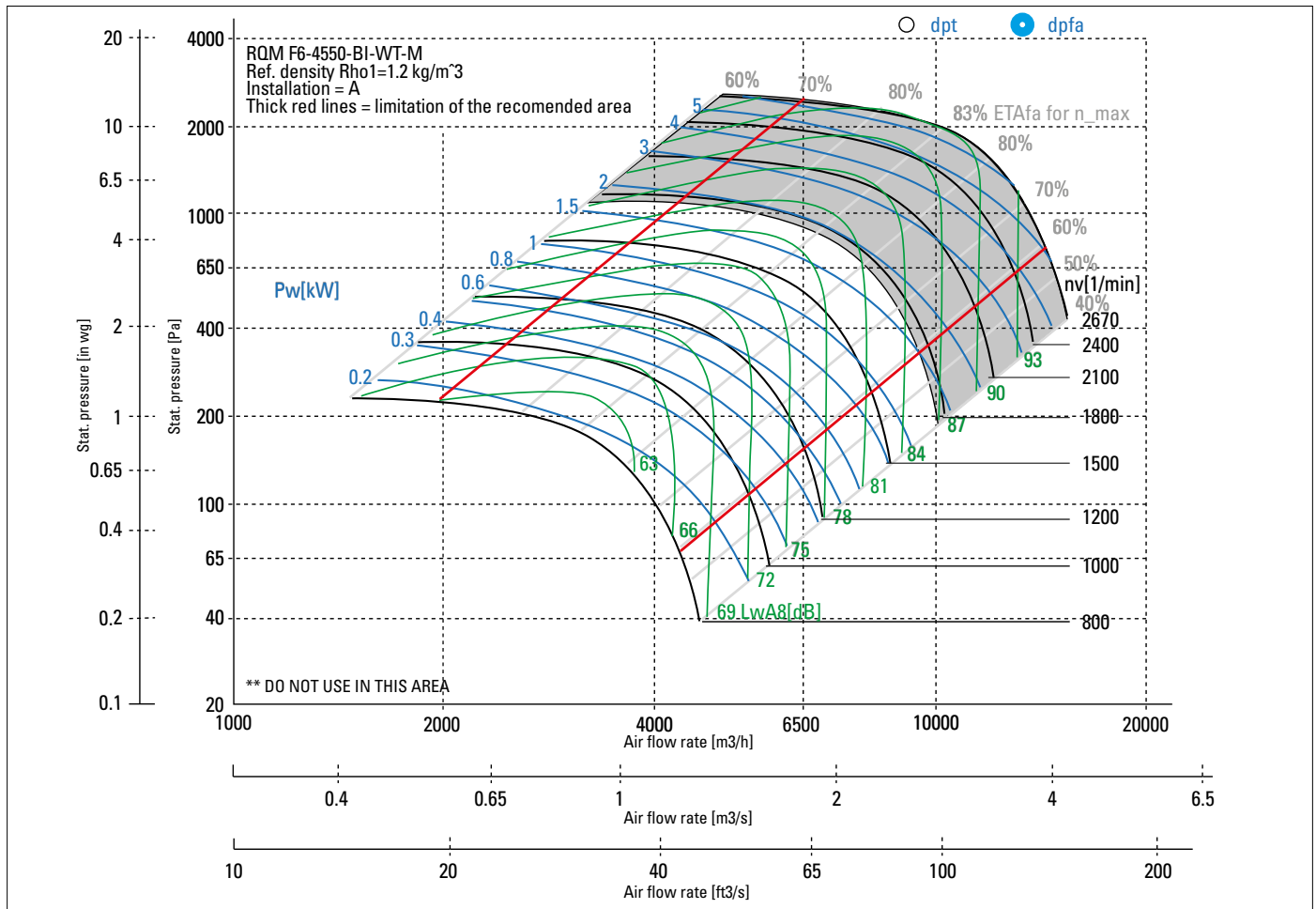
Phases-Voltage-Frequency	3-400-158	V-Hz
Frame size-No of poles	150-70 / IE5-10	
Power (P _N)	2.8	kW
Speed (n _N)	1900	1/min
Current (I _N)	7	A

operational limits

Max. fan speed (n _{max})	1750	1/min
Max. operating frequency (f _{max})	146	Hz
Temp. range for conveying medium (t _{min} ...t _{max})	-20...40	C



Patented technologie



Technical Data according to ErP-REGULATION 327/2011/EU

Overall efficiency (η _{se})	78,9 %
Measurement category	A
Efficiency category	statisch
Achieved efficiency grade (N _{ist})	86,2
Speed control	integriert
Year of manufacture	Is shown on the relevant rating plate for the product
Manufacturer	Nicotra Gebhardt GmbH, 74638 Waldenburg (Germany)
Type Model number	RQM F6-4550-BI-WT-M
Motor input power (P _{e,opt})	2,03 kW

Flow rate (q _{v,opt})	6805 m ³ /h
Pressure (p _{sF,opt})	847 Pa
Speed (N _{opt})	1750 min ⁻¹
Specific ratio (p ₂ /p ₁)	1,008
Disposal/Recycling:	Information on recycling and disposal is provided in the operating instruction.
Information on maintenance:	Information on installation, operation and maintenance is provided in the operating instructions.
Additional components:	The measurements do not use components which are not part of the fan.

Description

	Value	Dim.
Installation acc. DIN 24163 Part 1	A	
Reference density (Rho1)	1,2	kg/m ³
Medium temperature (t)	20	C
Fan weight (m) basic device without accessories	85	kg

Feed data

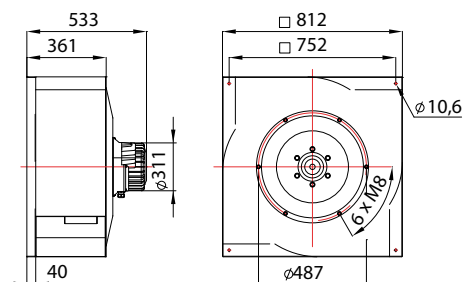
Main's frequency (f _N)	50/60	Hz
Voltage (U _N)	3~ 380-480	V

Rated motor data

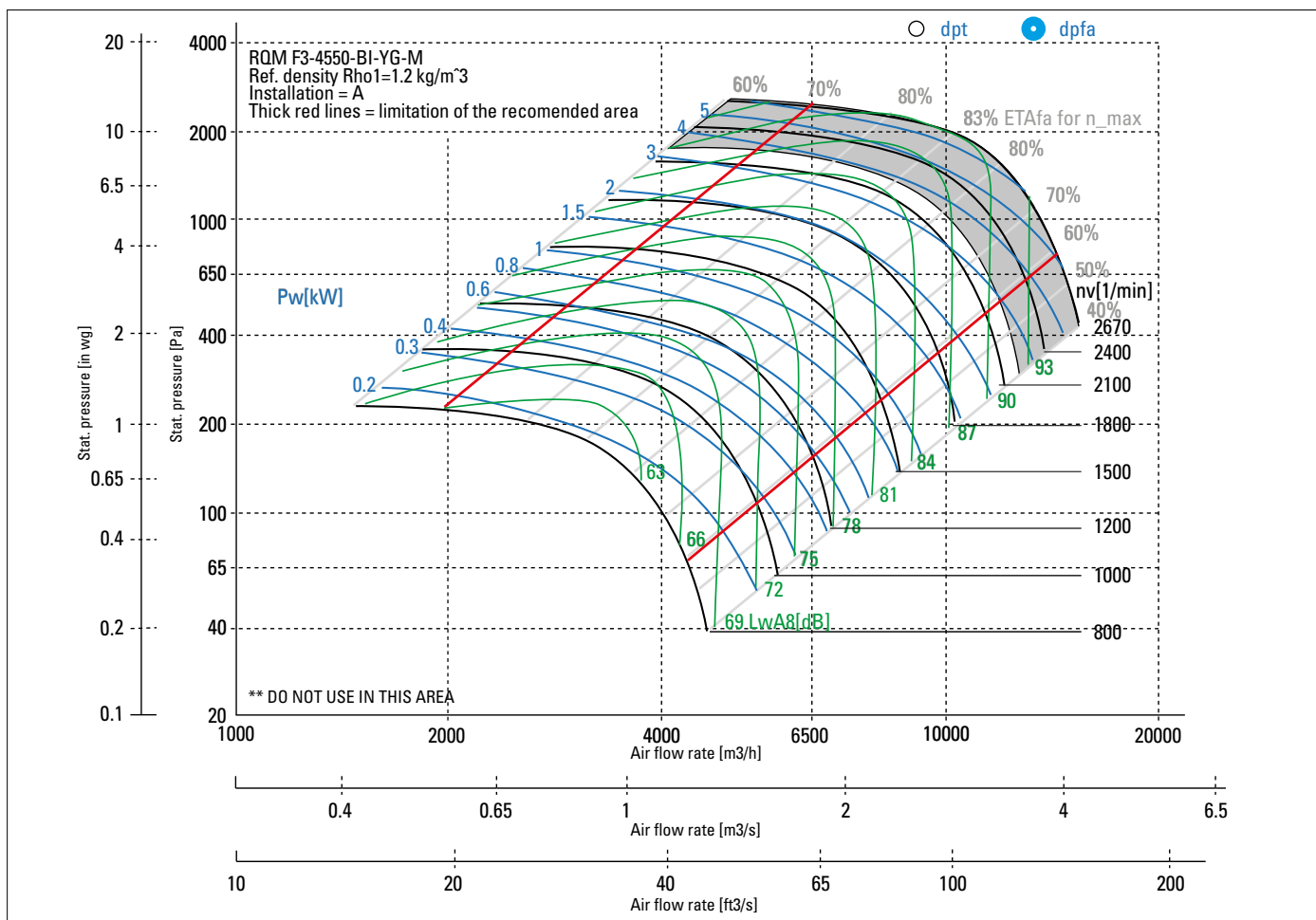
Phases-Voltage-Frequency	3-400-142	V-Hz
Frame size-No of poles	220-55 / IE5-10	
Power (P _N)	4.3	kW
Speed (n _N)	1700	1/min
Current (I _N)	10	A

operational limits

Max. fan speed (n _{vmax})	2200	1/min
Max. operating frequency (f _{max})	184	Hz
Temp. range for conveying medium (t _{min} ...t _{max})	-20...40	C



Patented technologie



Technical Data according to ErP-REGULATION 327/2011/EU

Overall efficiency (η _{se})	77,6 %
Measurement category	A
Efficiency category	statisch
Achieved efficiency grade (N _{ist})	81,6
Speed control	integriert
Year of manufacture	Is shown on the relevant rating plate for the product
Manufacturer	Nicotra Gebhardt GmbH, 74638 Waldenburg (Germany)
Type Model number	RQM F3-4550-BI-YG-M
Motor input power (P _{e,opt})	4,10 kW

Flow rate (q _{v,opt})	8554 m ³ /h
Pressure (p _{sF,opt})	1338 Pa
Speed (N _{opt})	2200 min ⁻¹
Specific ratio (p ₂ /p ₁)	1,013
Disposal/Recycling: Information on recycling and disposal is provided in the operating instruction.	
Information on maintenance: Information on installation, operation and maintenance is provided in the operating instructions.	
Additional components: The measurements do not use components which are not part of the fan.	

Description

	Value	Dim.
Installation acc. DIN 24163 Part 1		A
Reference density (Rho1)	1,2	kg/m ³
Medium temperature (t)	20	C
Fan weight (m) basic device without accessories	104	kg

Feed data

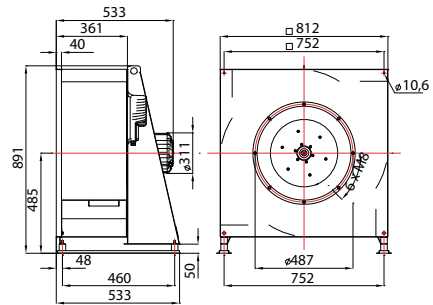
Main's frequency (f _N)	50/60	Hz
Voltage (U _N)	3~ 380-480	V

Rated motor data

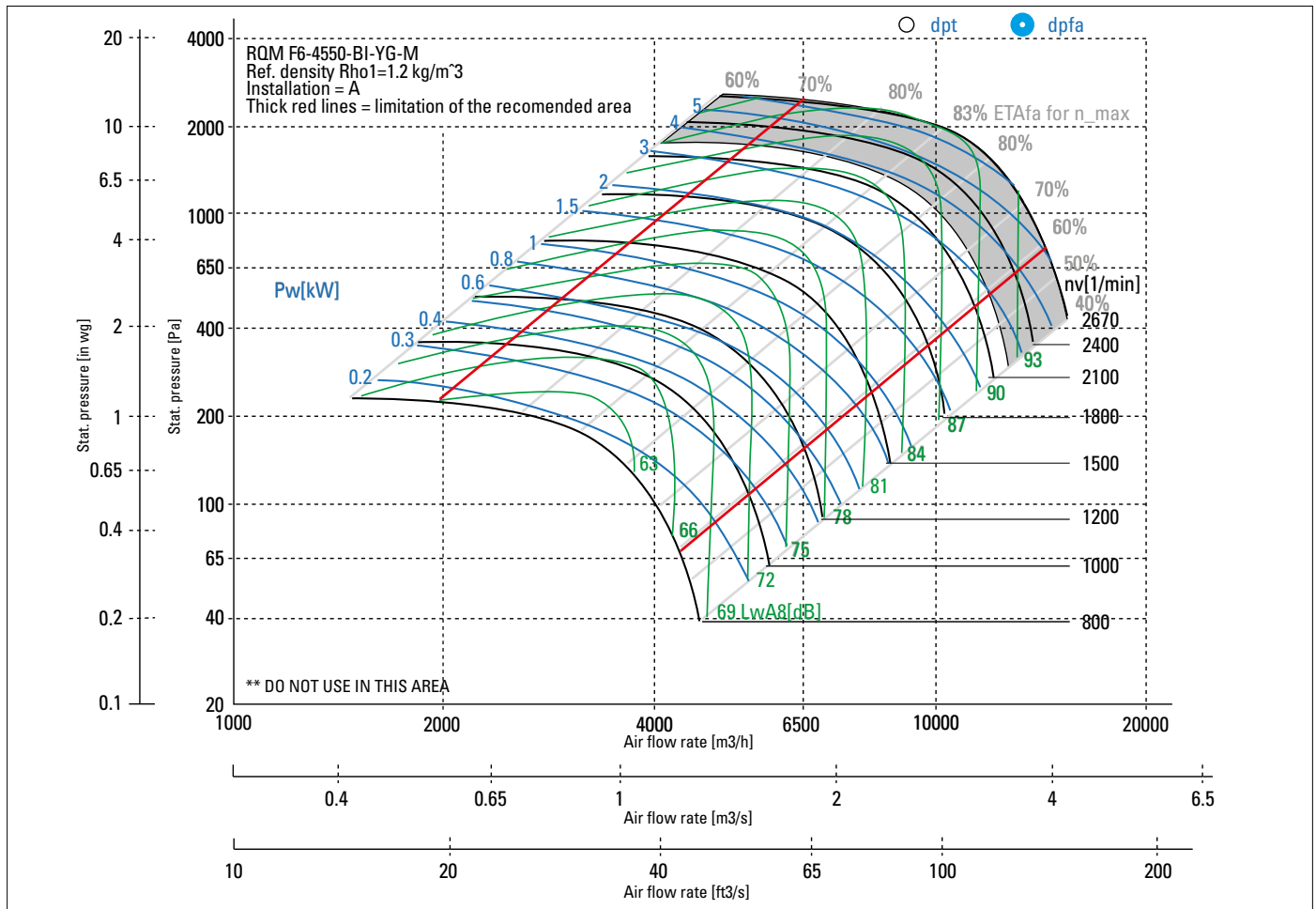
Phases-Voltage-Frequency	3-400-142	V-Hz
Frame size-No of poles	220-55 / IE5-10	
Power (P _N)	4.3	kW
Speed (n _N)	1700	1/min
Current (I _N)	10	A

operational limits

Max. fan speed (n _{max})	2200	1/min
Max. operating frequency (f _{max})	184	Hz
Temp. range for conveying medium (t _{min} ...t _{max})	-20...40	C



Patented technologie



Technical Data according to ErP-REGULATION 327/2011/EU

Overall efficiency (η _{se})	77,6 %
Measurement category	A
Efficiency category	statisch
Achieved efficiency grade (N _{ist})	81,6
Speed control	integriert
Year of manufacture	Is shown on the relevant rating plate for the product
Manufacturer	Nicotra Gebhardt GmbH, 74638 Waldenburg (Germany)
Type Model number	RQM F6-4550-BI-YG-M
Motor input power (P _{e,opt})	4,10 kW

Flow rate (q _{v,opt})	8554 m ³ /h
Pressure (p _{se,opt})	1338 Pa
Speed (N _{opt})	2200 min ⁻¹
Specific ratio (p ₂ /p ₁)	1,013
Disposal/Recycling:	Information on recycling and disposal is provided in the operating instruction.
Information on maintenance:	Information on installation, operation and maintenance is provided in the operating instructions.
Additional components:	The measurements do not use components which are not part of the fan.

Description

	Value	Dim.
Installation acc. DIN 24163 Part 1		A
Reference density (Rho1)	1,2	kg/m ³
Medium temperature (t)	20	C
Fan weight (m) basic device without accessories	86,1	kg

Feed data

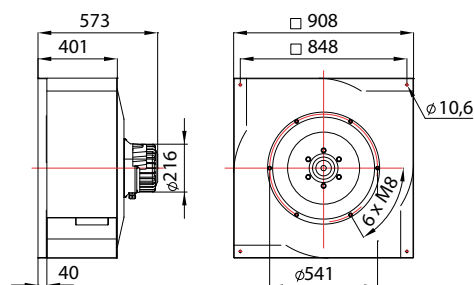
Main's frequency (f _N)	50/60	Hz
Voltage (U _N)	3~ 380-480	V

Rated motor data

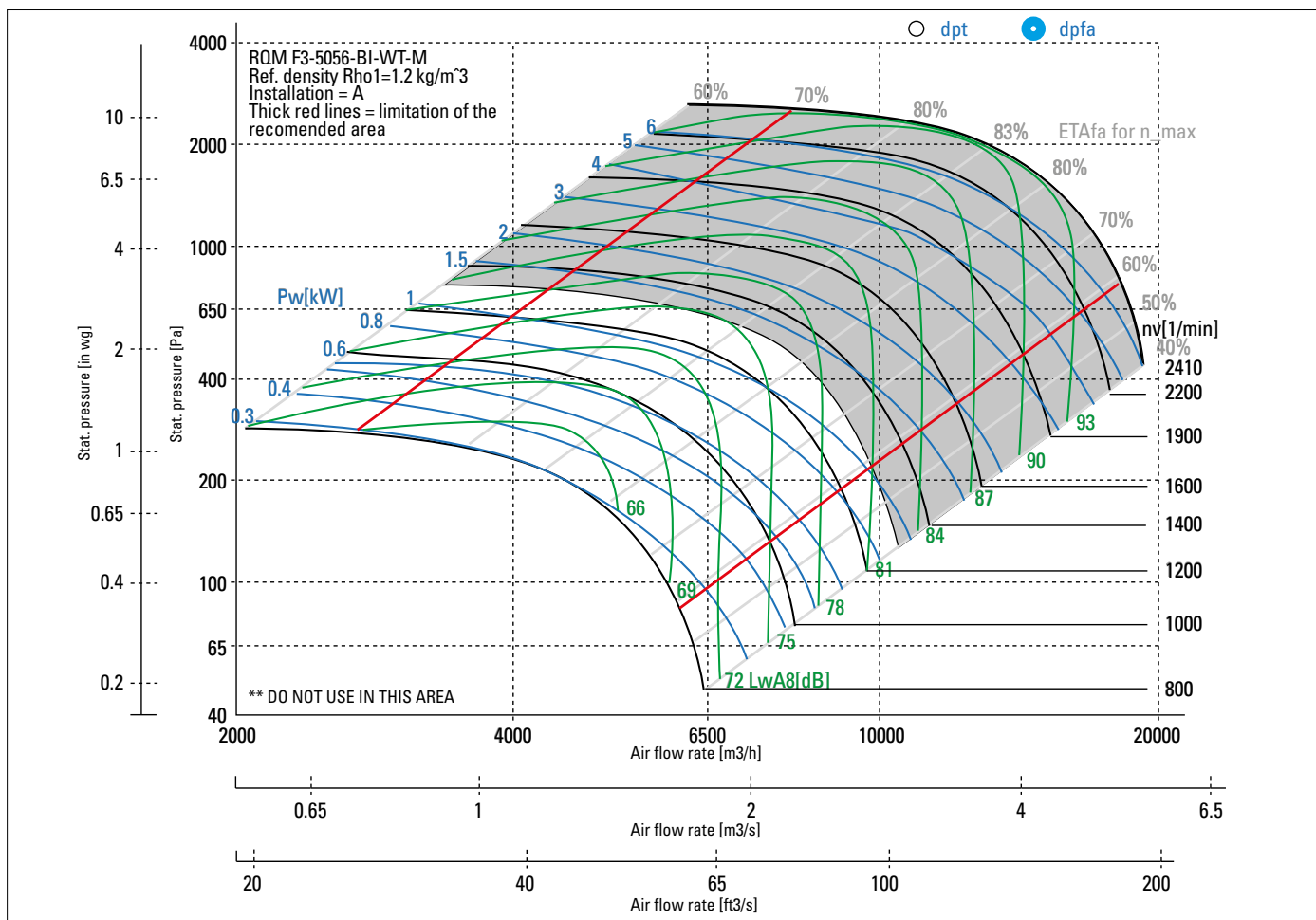
Phases-Voltage-Frequency	3-400-158	V-Hz
Frame size-No of poles	150-70 / IE5-10	
Power (P _N)	2.8	kW
Speed (n _N)	1900	1/min
Current (I _N)	7	A

operational limits

Max. fan speed (n _{vmax})	1300	1/min
Max. operating frequency (f _{max})	109	Hz
Temp. range for conveying medium (t _{min} ...t _{max})	-20...40	C



Patented technologie



Technical Data according to ErP-REGULATION 327/2011/EU

Overall efficiency (η _{se})	78,2 %
Measurement category	A
Efficiency category	statisch
Achieved efficiency grade (N _{ist})	87,0
Speed control	integriert
Year of manufacture	Is shown on the relevant rating plate for the product
Manufacturer	Nicotra Gebhardt GmbH, 74638 Waldenburg (Germany)
Type Model number	RQM F3-5056-BI-WT-M
Motor input power (P _{e,opt})	1,44 kW

Flow rate (q _{v,opt})	7021 m ³ /h
Pressure (p _{f,opt})	577 Pa
Speed (N _{opt})	1300 min ⁻¹
Specific ratio (p ₂ /p ₁)	1,006
Disposal/Recycling: Information on recycling and disposal is provided in the operating instruction.	
Information on maintenance: Information on installation, operation and maintenance is provided in the operating instructions.	
Additional components: The measurements do not use components which are not part of the fan.	

Description

	Value	Dim.
Installation acc. DIN 24163 Part 1		A
Reference density (Rho1)	1,2	kg/m ³
Medium temperature (t)	20	C
Fan weight (m) basic device without accessories	111	kg

Feed data

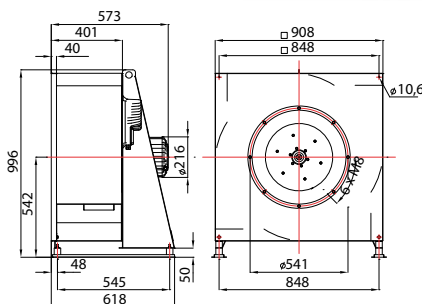
Main's frequency (f _N)	50/60	Hz
Voltage (U _N)	3~ 380-480	V

Rated motor data

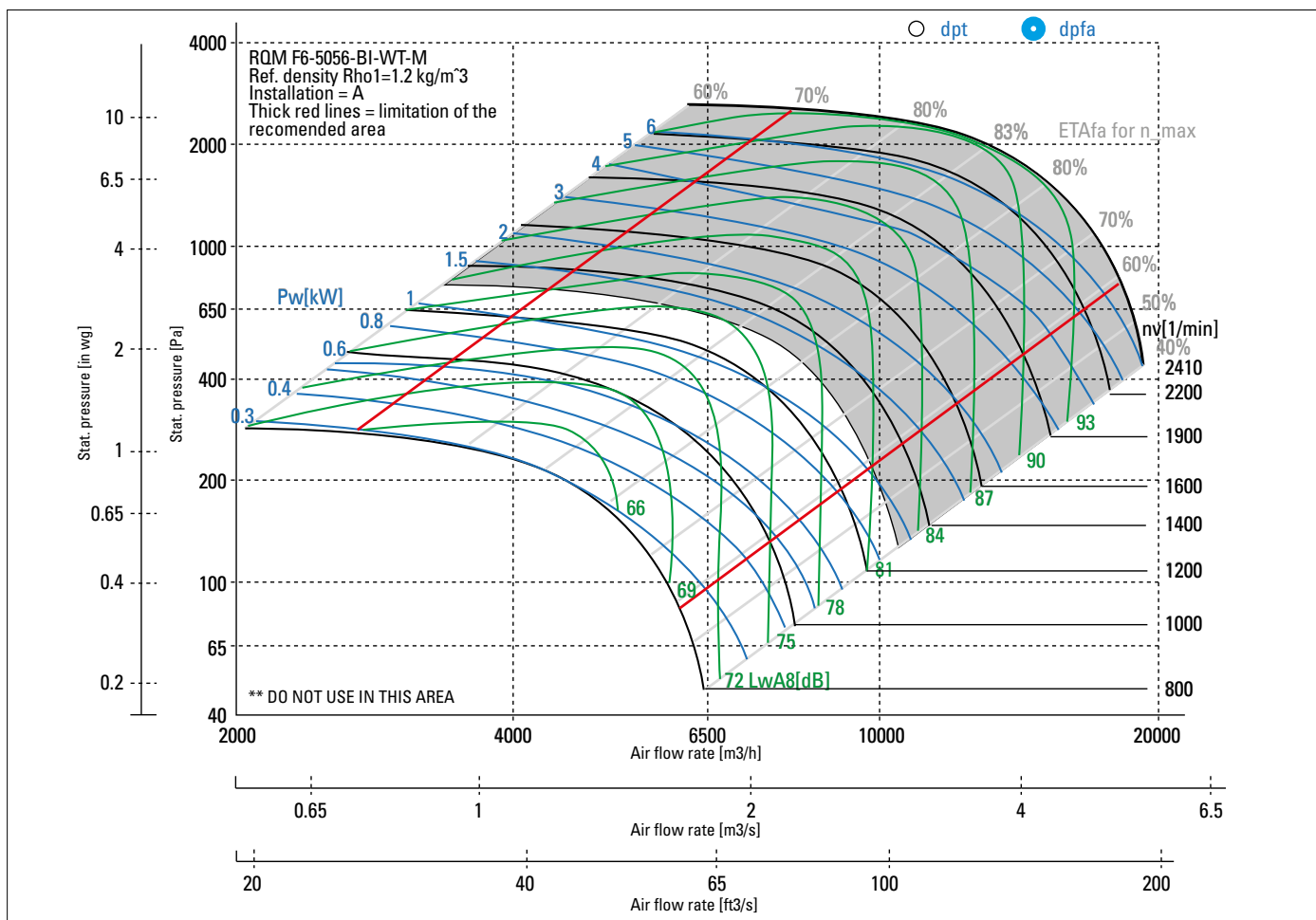
Phases-Voltage-Frequency	3~400-158	V-Hz
Frame size-No of poles	150-70 / IE5-10	
Power (P _N)	2.8	kW
Speed (n _N)	1900	1/min
Current (I _N)	7	A

operational limits

Max. fan speed (n _{max})	1300	1/min
Max. operating frequency (f _{max})	109	Hz
Temp. range for conveying medium (t _{min} ...t _{max})	-20...40	C



Patented technologie



Technical Data according to ErP-REGULATION 327/2011/EU

Overall efficiency (η _{se})	78,2 %
Measurement category	A
Efficiency category	statisch
Achieved efficiency grade (N _{ist})	87,0
Speed control	integriert
Year of manufacture	Is shown on the relevant rating plate for the product
Manufacturer	Nicotra Gebhardt GmbH, 74638 Waldenburg (Germany)
Type Model number	RQM F6-5056-BI-WT-M
Motor input power (P _{e,opt})	1,44 kW

Flow rate (q _{v,opt})	7021 m ³ /h
Pressure (p _{f,opt})	577 Pa
Speed (N _{opt})	1300 min-1
Specific ratio (p ₂ /p ₁)	1,006
Disposal/Recycling: Information on recycling and disposal is provided in the operating instruction.	
Information on maintenance: Information on installation, operation and maintenance is provided in the operating instructions.	
Additional components: The measurements do not use components which are not part of the fan.	

Description

	Value	Dim.
Installation acc. DIN 24163 Part 1		A
Reference density (Rho1)	1,2	kg/m ³
Medium temperature (t)	20	C
Fan weight (m) basic device without accessories	99,6	kg

Feed data

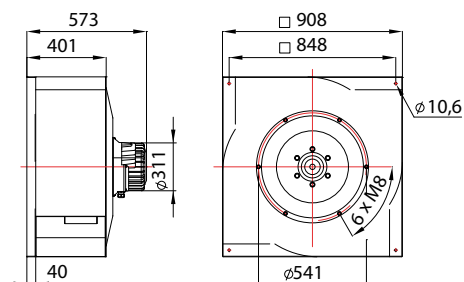
Main's frequency (f _N)	50/60	Hz
Voltage (U _N)	3~ 380-480	V

Rated motor data

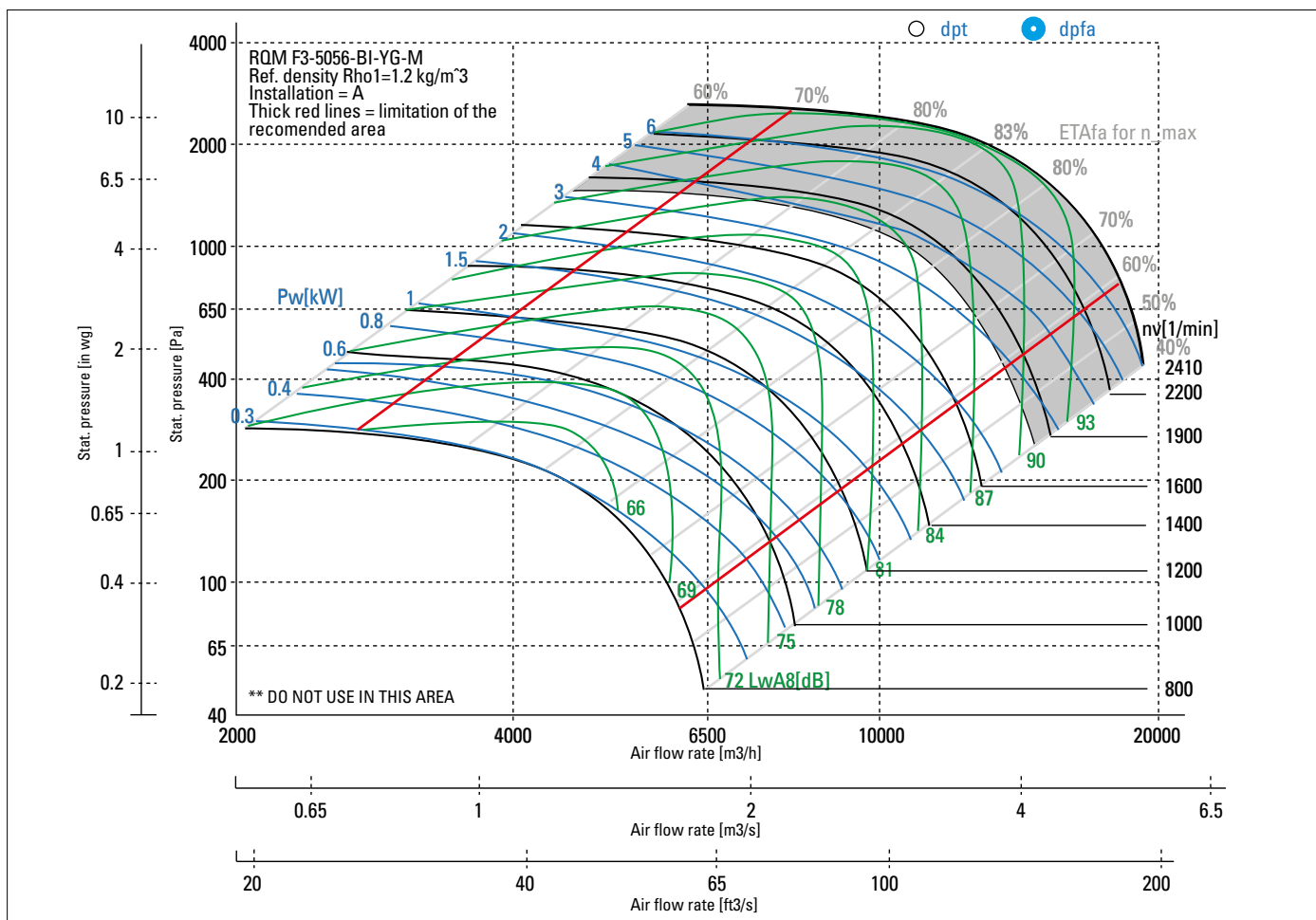
Phases-Voltage-Frequency	3-400-142	V-Hz
Frame size-No of poles	220-55 / IE5-10	
Power (P _N)	4.3	kW
Speed (n _N)	1700	1/min
Current (I _N)	10	A

operational limits

Max. fan speed (n _{vmax})	1800	1/min
Max. operating frequency (f _{max})	150	Hz
Temp. range for conveying medium (t _{min} ...t _{max})	-20...40	C



Patented technologie



Technical Data according to ErP-REGULATION 327/2011/EU

Overall efficiency (η _{se})	77,3 %
Measurement category	A
Efficiency category	statisch
Achieved efficiency grade (N _{ist})	81,6
Speed control	integriert
Year of manufacture	Is shown on the relevant rating plate for the product
Manufacturer	Nicotra Gebhardt GmbH, 74638 Waldenburg (Germany)
Type Model number	RQM F3-5056-BI-YG-M
Motor input power (P _{e,opt})	3,87 kW

Flow rate (q _{v,opt})	9722 m ³ /h
Pressure (p _{se,opt})	1107 Pa
Speed (N _{opt})	1800 min ⁻¹
Specific ratio (p ₂ /p ₁)	1,011
Disposal/Recycling:	Information on recycling and disposal is provided in the operating instruction.
Information on maintenance:	Information on installation, operation and maintenance is provided in the operating instructions.
Additional components:	The measurements do not use components which are not part of the fan.

Description

	Value	Dim.
Installation acc. DIN 24163 Part 1		A
Reference density (Rho1)	1,2	kg/m ³
Medium temperature (t)	20	C
Fan weight (m) basic device without accessories	124	kg

Feed data

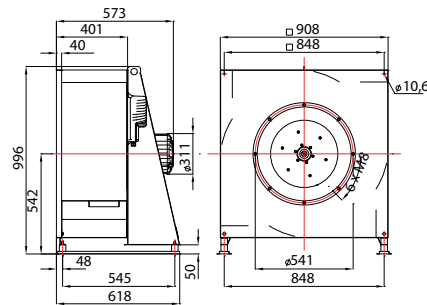
Main's frequency (f _N)	50/60	Hz
Voltage (U _N)	3~ 380-480	V

Rated motor data

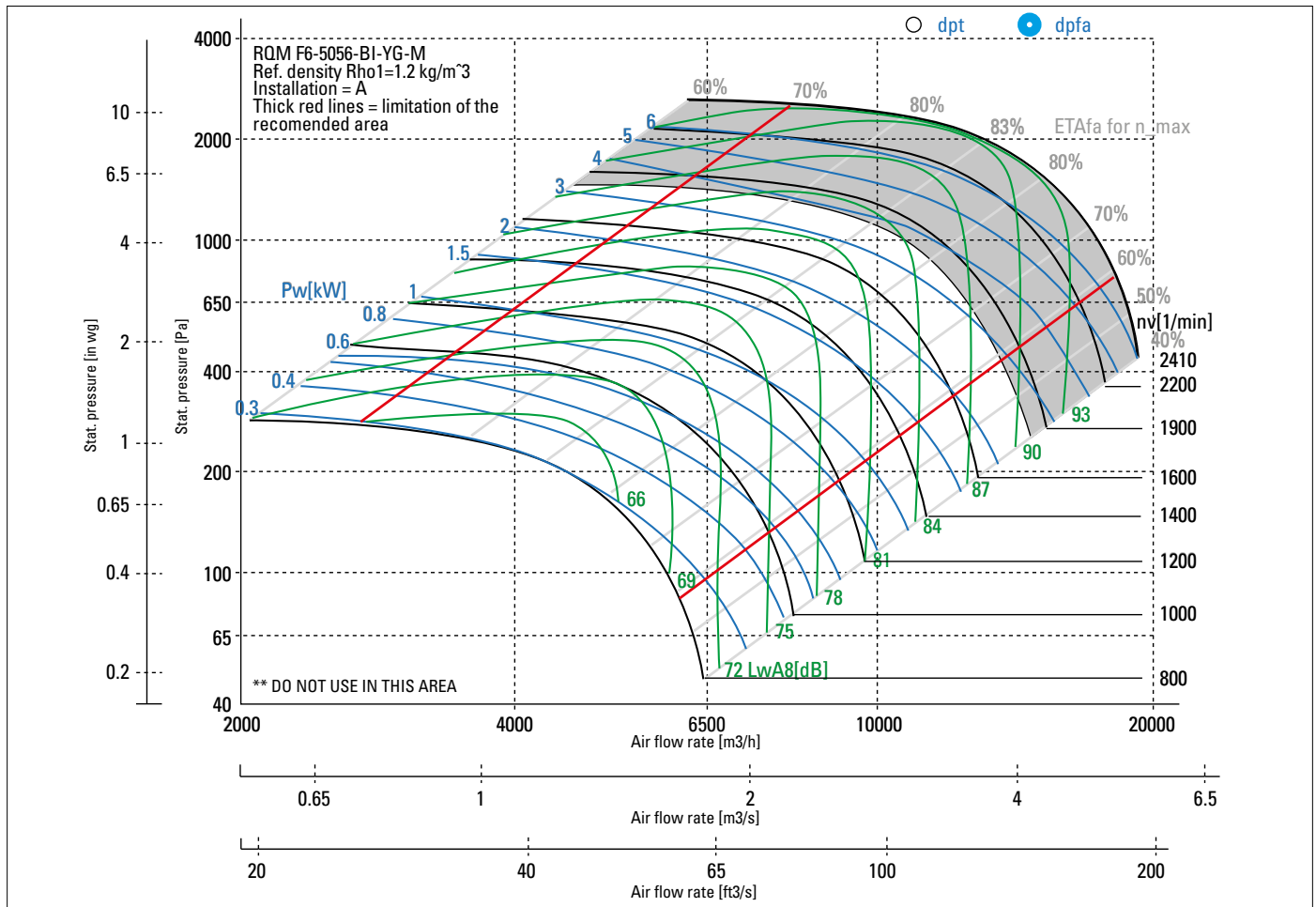
Phases-Voltage-Frequency	3~400-142	V-Hz
Frame size-No of poles	220-55 / IE5-10	
Power (P _N)	4.3	kW
Speed (n _N)	1700	1/min
Current (I _N)	10	A

operational limits

Max. fan speed (n _{vmax})	1800	1/min
Max. operating frequency (f _{max})	150	Hz
Temp. range for conveying medium (t _{min} ...t _{max})	-20...40	C



Patented technologie



Technical Data according to ErP-REGULATION 327/2011/EU

Overall efficiency (η _{se})	77,3 %
Measurement category	A
Efficiency category	statisch
Achieved efficiency grade (N _{ist})	81,6
Speed control	integriert
Year of manufacture	Is shown on the relevant rating plate for the product
Manufacturer	Nicotra Gebhardt GmbH, 74638 Waldenburg (Germany)
Type Model number	RQM F6-5056-BI-YG-M
Motor input power (P _{e,opt})	3,87 kW

Flow rate (q _{v,opt})	9722 m ³ /h
Pressure (p _{f,opt})	1107 Pa
Speed (N _{opt})	1800 min ⁻¹
Specific ratio (p ₂ /p ₁)	1,011
Disposal/Recycling:	Information on recycling and disposal is provided in the operating instruction.
Information on maintenance:	Information on installation, operation and maintenance is provided in the operating instructions.
Additional components:	The measurements do not use components which are not part of the fan.

Description

	Value	Dim.
Installation acc. DIN 24163 Part 1		A
Reference density (Rho1)	1,2	kg/m ³
Medium temperature (t)	20	C
Fan weight (m) basic device without accessories	112,6	kg

Feed data

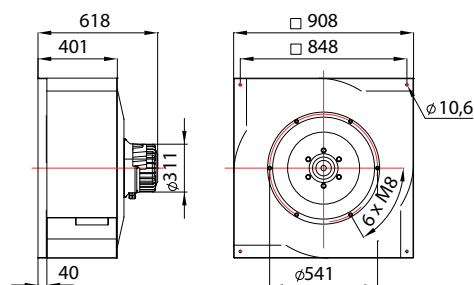
Main's frequency (f _N)	50/60	Hz
Voltage (U _N)	3~ 380-480	V

Rated motor data

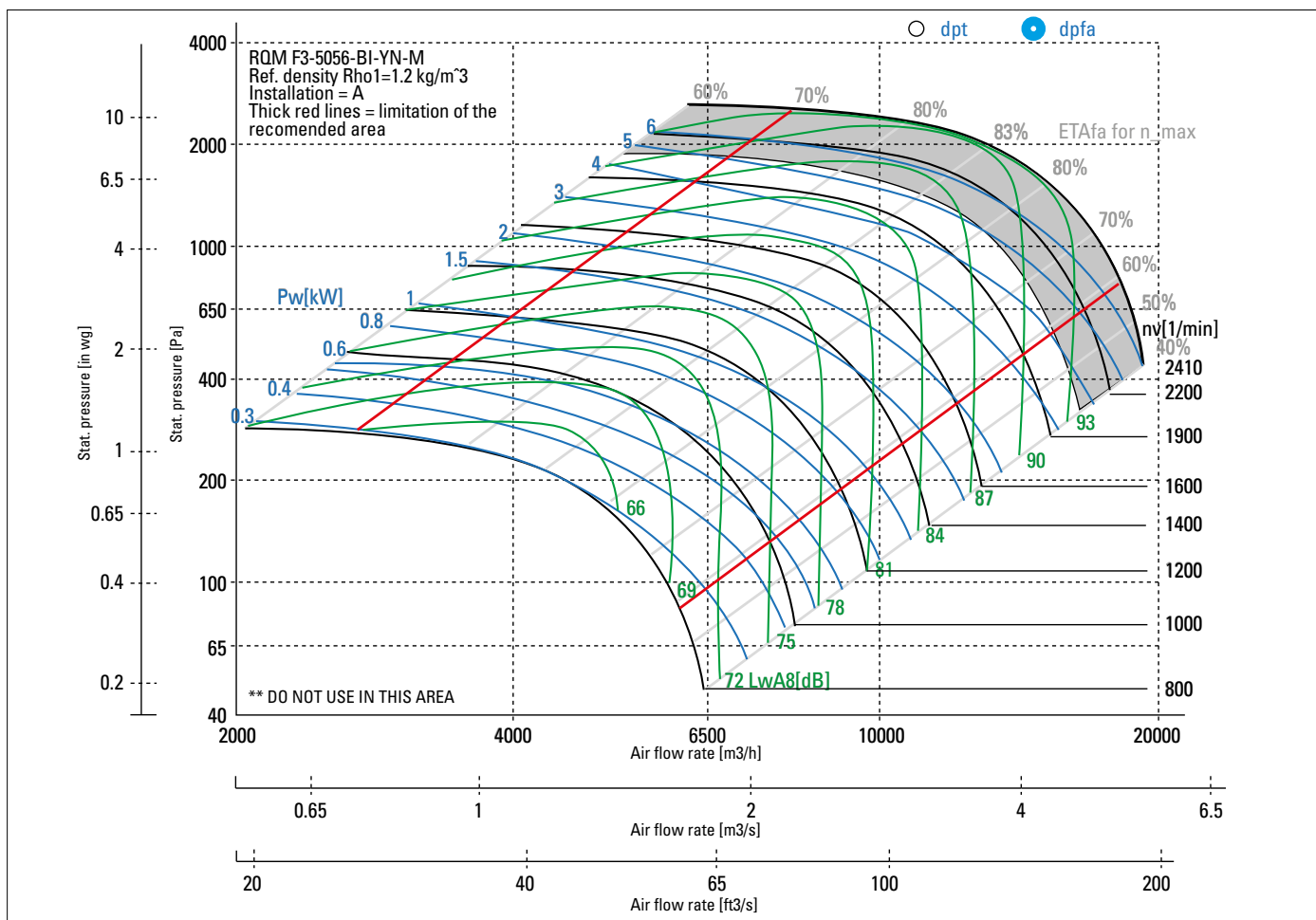
Phases-Voltage-Frequency	3-400-117	V-Hz
Frame size-No of poles	220-100 / IE5-10	
Power (P _N)	6.5	kW
Speed (n _N)	1400	1/min
Current (I _N)	16	A

operational limits

Max. fan speed (n _{vmax})	2050	1/min
Max. operating frequency (f _{max})	171	Hz
Temp. range for conveying medium (t _{min} ...t _{max})	-20...40	C



Patented technologie



Technical Data according to ErP-REGULATION 327/2011/EU

Overall efficiency (η _{se})	77,6 %
Measurement category	A
Efficiency category	statisch
Achieved efficiency grade (N _{ist})	80,1
Speed control	integriert
Year of manufacture	Is shown on the relevant rating plate for the product
Manufacturer	Nicotra Gebhardt GmbH, 74638 Waldenburg (Germany)
Type Model number	RQM F3-5056-BI-YN-M
Motor input power (P _{e,opt})	5,69 kW

Flow rate (q _{v,opt})	11072 m ³ /h
Pressure (p _{se,opt})	1436 Pa
Speed (N _{opt})	2050 min-1
Specific ratio (p ₂ /p ₁)	1,014
Disposal/Recycling: Information on recycling and disposal is provided in the operating instruction.	
Information on maintenance: Information on installation, operation and maintenance is provided in the operating instructions.	
Additional components: The measurements do not use components which are not part of the fan.	

Description

	Value	Dim.
Installation acc. DIN 24163 Part 1		A
Reference density (Rho1)	1,2	kg/m ³
Medium temperature (t)	20	C
Fan weight (m) basic device without accessories	136	kg

Feed data

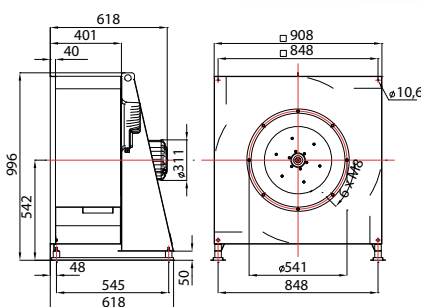
Main's frequency (f _N)	50/60	Hz
Voltage (U _N)	3~ 380-480	V

Rated motor data

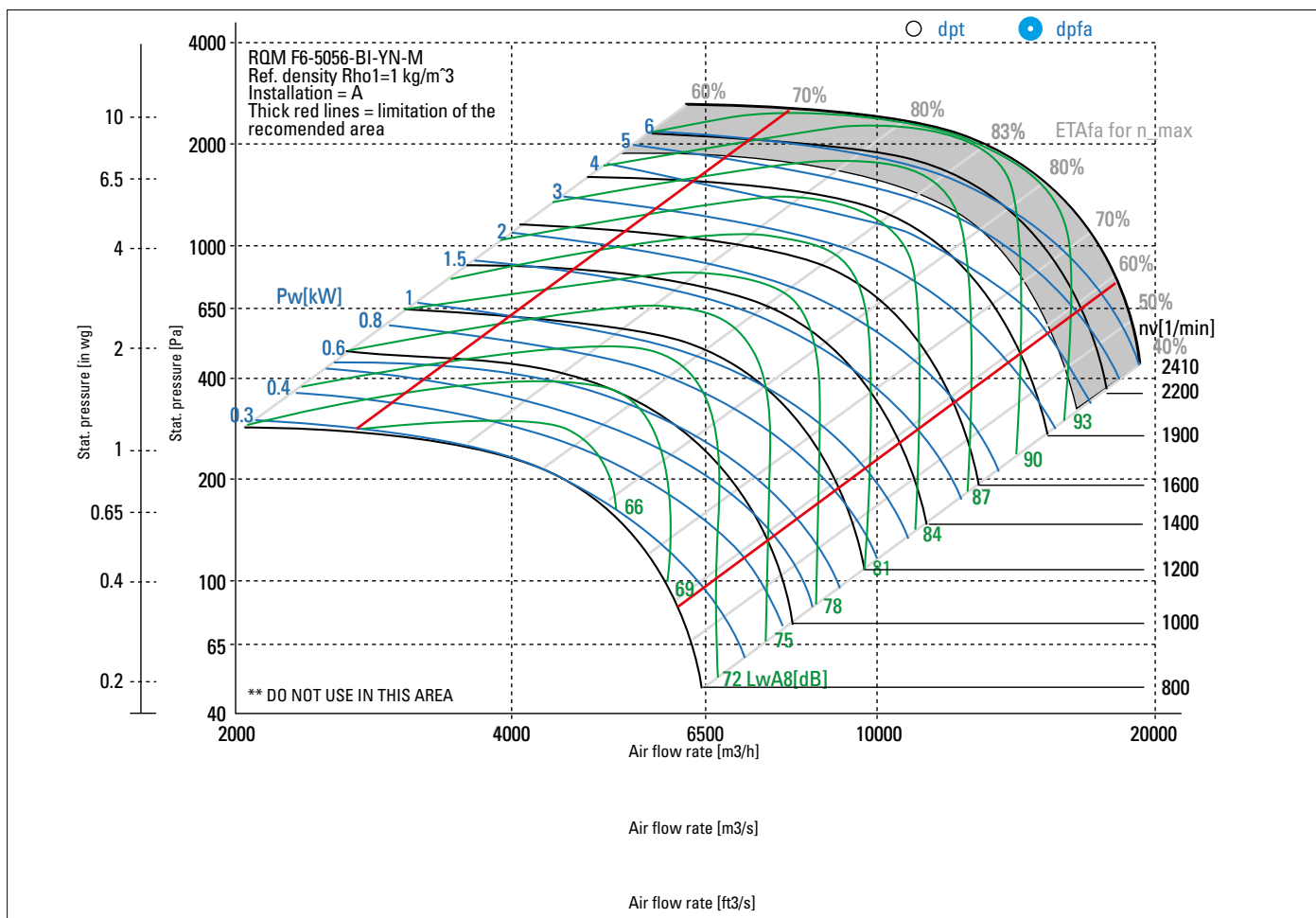
Phases-Voltage-Frequency	3~400-117	V-Hz
Frame size-No of poles	220-100 / IE5-10	
Power (P _N)	6.5	kW
Speed (n _N)	1400	1/min
Current (I _N)	16	A

operational limits

Max. fan speed (n _{max})	2050	1/min
Max. operating frequency (f _{max})	171	Hz
Temp. range for conveying medium (t _{min} ...t _{max})	-20...40	C



Patented technologie



Technical Data according to ErP-REGULATION 327/2011/EU

Overall efficiency (η _{se})	77,6 %
Measurement category	A
Efficiency category	statisch
Achieved efficiency grade (N _{ist})	80,1
Speed control	integriert
Year of manufacture	Is shown on the relevant rating plate for the product
Manufacturer	Nicotra Gebhardt GmbH, 74638 Waldenburg (Germany)
Type Model number	RQM F6-5056-BI-YN-M
Motor input power (P _{e,opt})	5,69 kW

Flow rate (q _{v,opt})	11072 m³/h
Pressure (p _{sF,opt})	1436 Pa
Speed (N _{opt})	2050 min-1
Specific ratio (p ₂ /p ₁)	1,014
Disposal/Recycling: Information on recycling and disposal is provided in the operating instruction.	
Information on maintenance: Information on installation, operation and maintenance is provided in the operating instructions.	
Additional components: The measurements do not use components which are not part of the fan.	

Description

	Value	Dim.
Installation acc. DIN 24163 Part 1		A
Reference density (Rho1)	1,2	kg/m ³
Medium temperature (t)	20	C
Fan weight (m) basic device without accessories	117,7	kg

Feed data

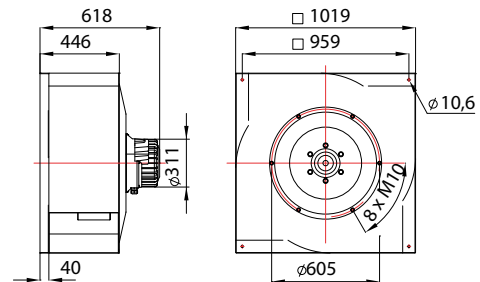
Main's frequency (f _N)	50/60	Hz
Voltage (U _N)	3~ 380-480	V

Rated motor data

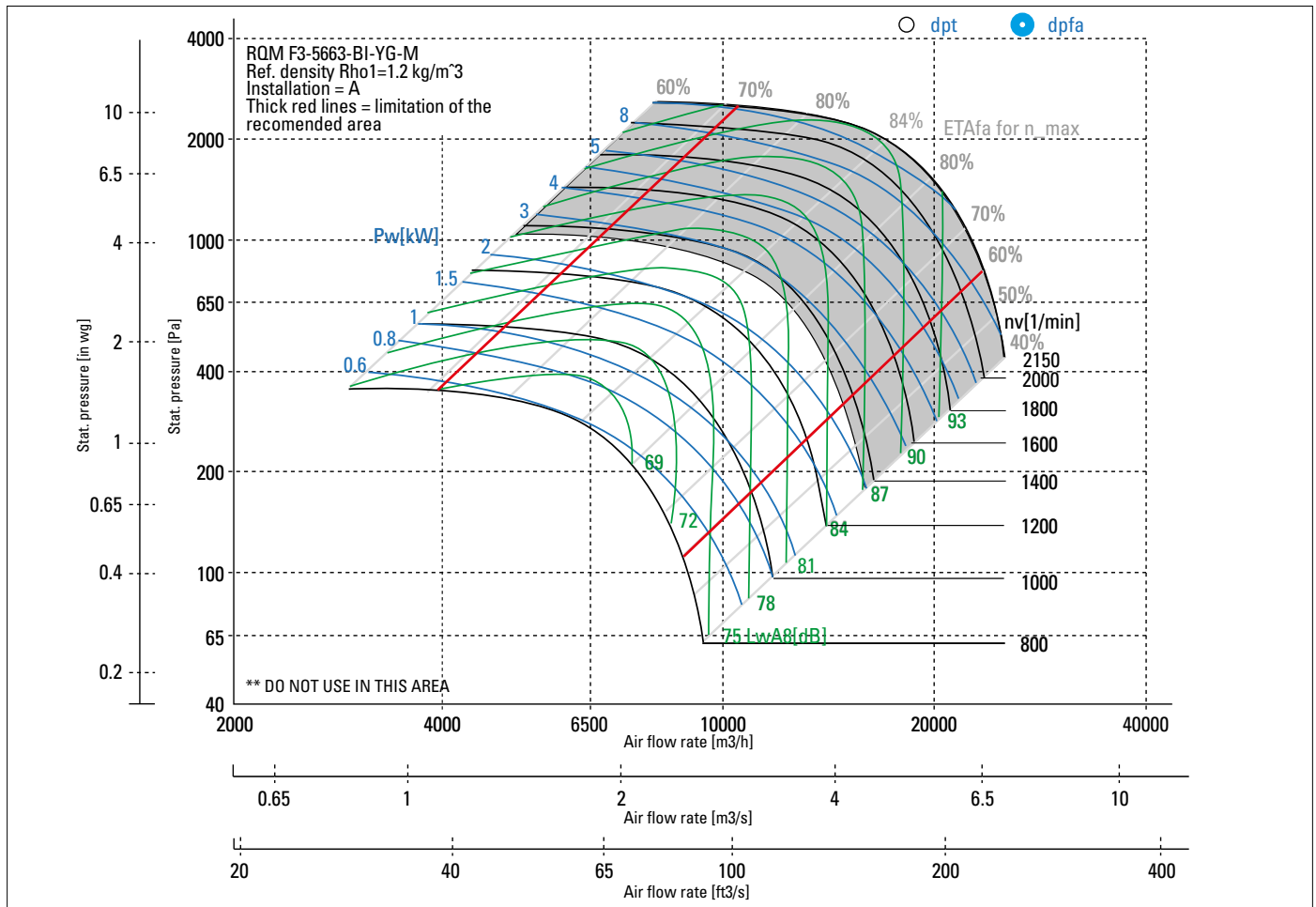
Phases-Voltage-Frequency	3-400-142	V-Hz
Frame size-No of poles	220-55 / IE5-10	
Power (P _N)	4.3	kW
Speed (n _N)	1700	1/min
Current (I _N)	10	A

operational limits

Max. fan speed (n _{vmax})	1350	1/min
Max. operating frequency (f _{max})	113	Hz
Temp. range for conveying medium (t _{min} ...t _{max})	-20...40	C



Patented technologie



Technical Data according to ErP-REGULATION 327/2011/EU

Overall efficiency (η _{se})	78,5 %
Measurement category	A
Efficiency category	statisch
Achieved efficiency grade (N _{ist})	83,9
Speed control	integriert
Year of manufacture	Is shown on the relevant rating plate for the product
Manufacturer	Nicotra Gebhardt GmbH, 74638 Waldenburg (Germany)
Type Model number	RQM F3-5663-BI-YG-M
Motor input power (P _{e,opt})	3,04 kW

Flow rate (q _{v,opt})	10636 m ³ /h
Pressure (p _{f,opt})	808 Pa
Speed (N _{opt})	1350 min-1
Specific ratio (p ₂ /p ₁)	1,008
Disposal/Recycling:	Information on recycling and disposal is provided in the operating instruction.
Information on maintenance:	Information on installation, operation and maintenance is provided in the operating instructions.
Additional components:	The measurements do not use components which are not part of the fan.

Description

	Value	Dim.
Installation acc. DIN 24163 Part 1		A
Reference density (Rho1)	1,2	kg/m ³
Medium temperature (t)	20	C
Fan weight (m) basic device without accessories	165	kg

Feed data

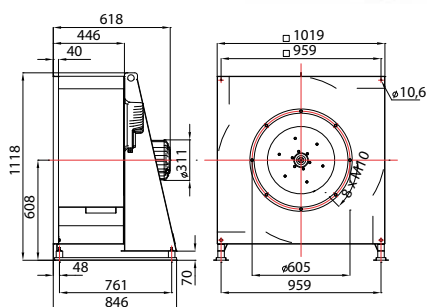
Main's frequency (f _N)	50/60	Hz
Voltage (U _N)	3~ 380-480	V

Rated motor data

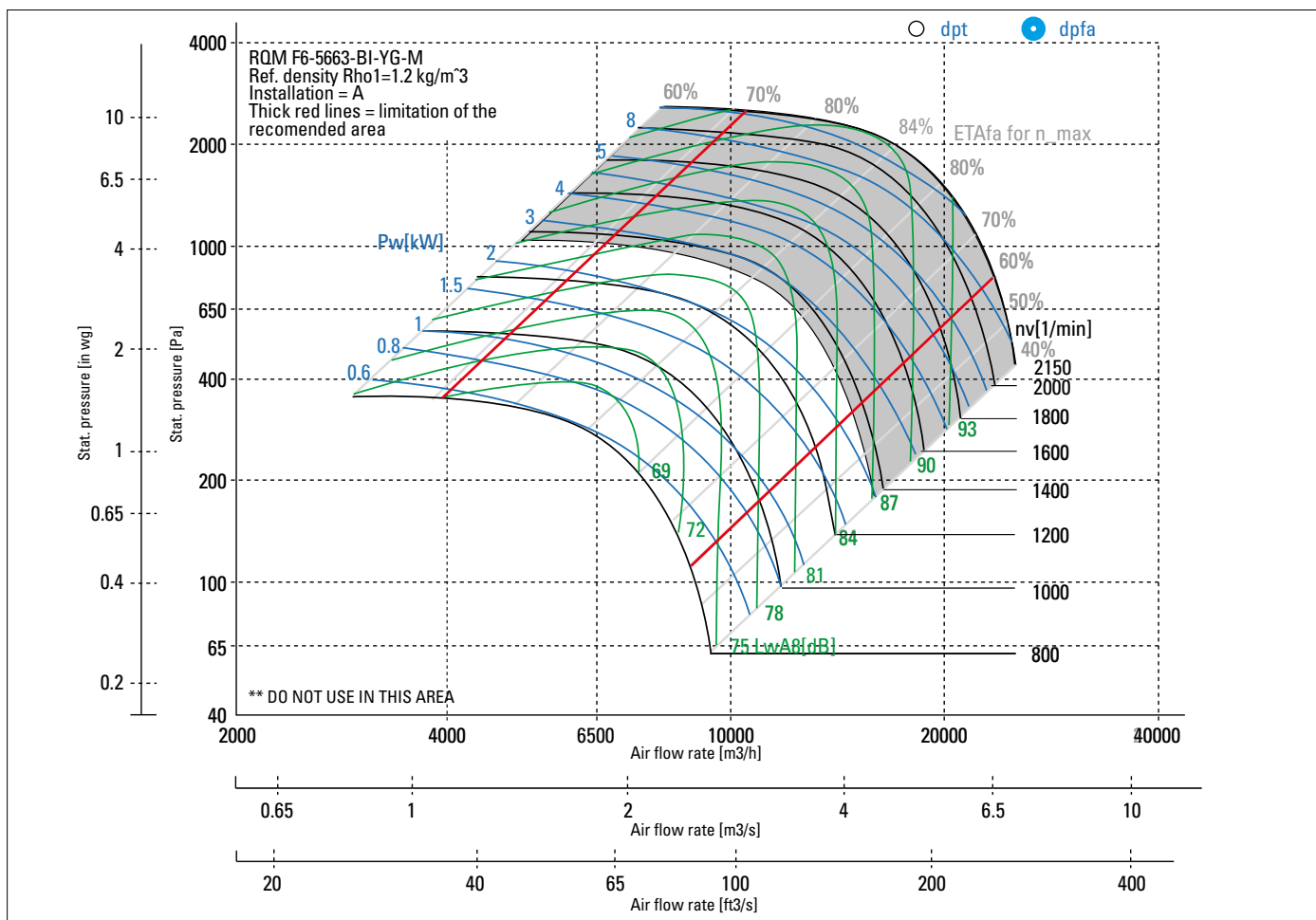
Phases-Voltage-Frequency	3~400-142	V-Hz
Frame size-No of poles	220-55 / IE5-10	
Power (P _N)	4.3	kW
Speed (n _N)	1700	1/min
Current (I _N)	10	A

operational limits

Max. fan speed (n _{max})	1350	1/min
Max. operating frequency (f _{max})	113	Hz
Temp. range for conveying medium (t _{min} ...t _{max})	-20...40	C



Patented technologie



Technical Data according to ErP-REGULATION 327/2011/EU

Overall efficiency (η _{se})	78,5 %
Measurement category	A
Efficiency category	statisch
Achieved efficiency grade (N _{ist})	83,9
Speed control	integriert
Year of manufacture	Is shown on the relevant rating plate for the product
Manufacturer	Nicotra Gebhardt GmbH, 74638 Waldenburg (Germany)
Type Model number	RQM F6-5663-BI-YG-M
Motor input power (P _{e,opt})	3,04 kW

Flow rate (q _{v,opt})	10636 m ³ /h
Pressure (p _{f,opt})	808 Pa
Speed (N _{opt})	1350 min-1
Specific ratio (p ₂ /p ₁)	1,008
Disposal/Recycling: Information on recycling and disposal is provided in the operating instruction.	
Information on maintenance: Information on installation, operation and maintenance is provided in the operating instructions.	
Additional components: The measurements do not use components which are not part of the fan.	

Description

	Value	Dim.
Installation acc. DIN 24163 Part 1		A
Reference density (Rho1)	1,2	kg/m ³
Medium temperature (t)	20	C
Fan weight (m) basic device without accessories	130,7	kg

Feed data

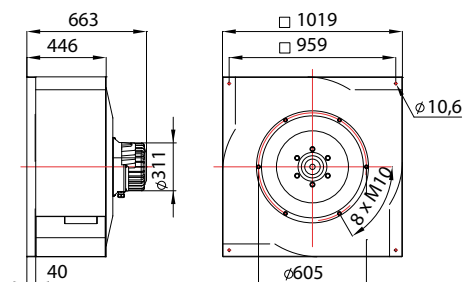
Main's frequency (f _N)	50/60	Hz
Voltage (U _N)	3~ 380-480	V

Rated motor data

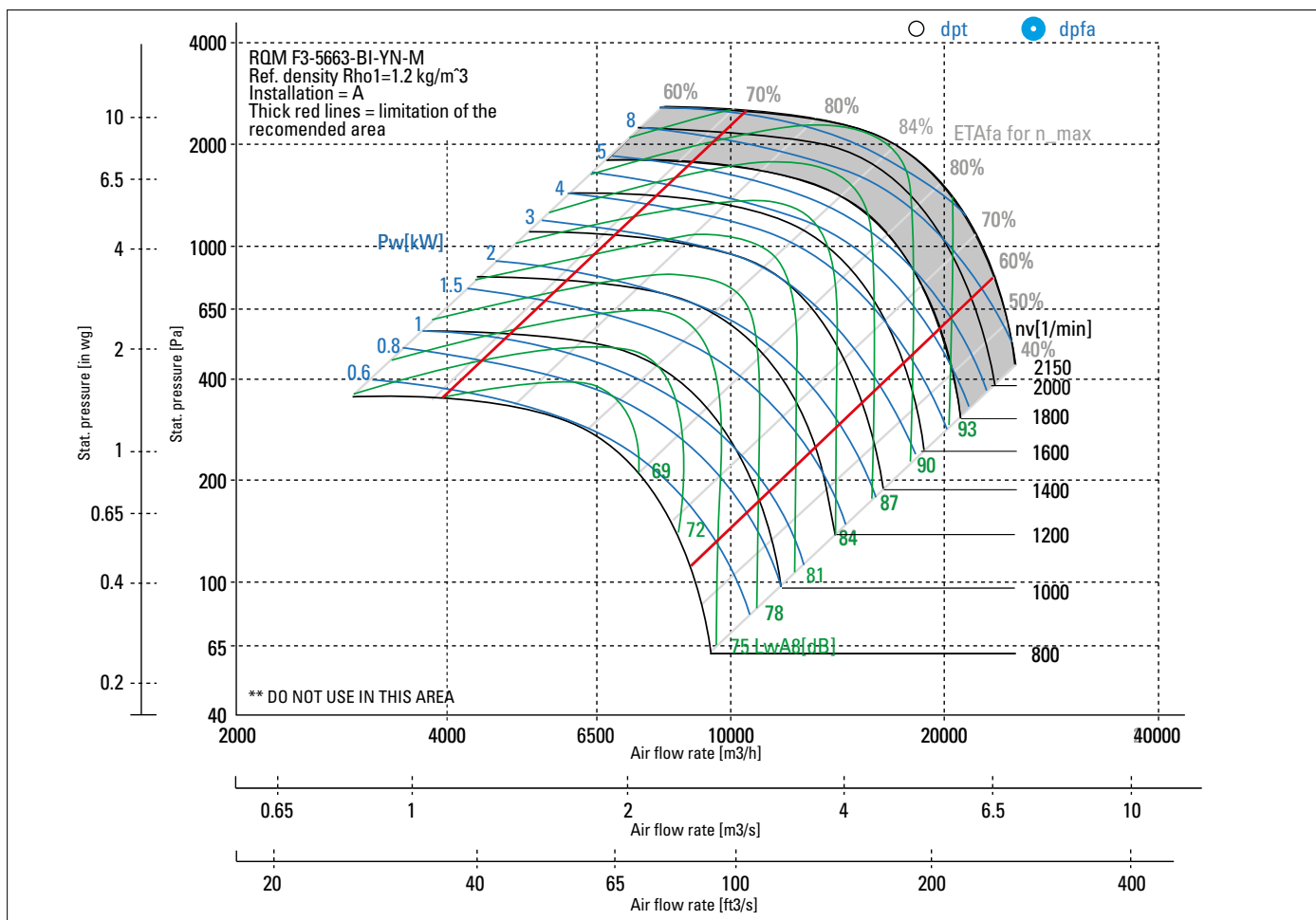
Phases-Voltage-Frequency	3-400-117	V-Hz
Frame size-No of poles	220-100 / IE5-10	
Power (P _N)	6.5	kW
Speed (n _N)	1400	1/min
Current (I _N)	16	A

operational limits

Max. fan speed (n _{vmax})	1800	1/min
Max. operating frequency (f _{max})	150	Hz
Temp. range for conveying medium (t _{min} ...t _{max})	-20...40	C



Patented technologie



Technical Data according to ErP-REGULATION 327/2011/EU

Overall efficiency (η _{se})	79,6 %
Measurement category	A
Efficiency category	statisch
Achieved efficiency grade (N _{ist})	81,2
Speed control	integriert
Year of manufacture	Is shown on the relevant rating plate for the product
Manufacturer	Nicotra Gebhardt GmbH, 74638 Waldenburg (Germany)
Type Model number	RQM F3-5663-BI-YN-M
Motor input power (P _{e,opt})	7,11 kW

Flow rate (q _{v,opt})	14181 m ³ /h
Pressure (p _{se,opt})	1437 Pa
Speed (N _{opt})	1800 min-1
Specific ratio (p ₂ /p ₁)	1,014
Disposal/Recycling: Information on recycling and disposal is provided in the operating instruction.	
Information on maintenance: Information on installation, operation and maintenance is provided in the operating instructions.	
Additional components: The measurements do not use components which are not part of the fan.	

Description

	Value	Dim.
Installation acc. DIN 24163 Part 1		A
Reference density (Rho1)	1,2	kg/m ³
Medium temperature (t)	20	C
Fan weight (m) basic device without accessories	178	kg

Feed data

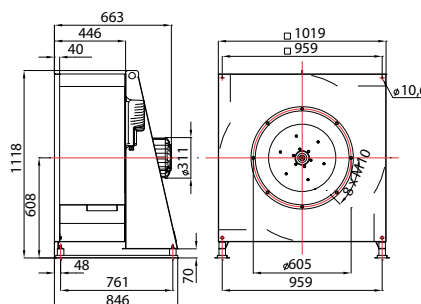
Main's frequency (f _N)	50/60	Hz
Voltage (U _N)	3~ 380-480	V

Rated motor data

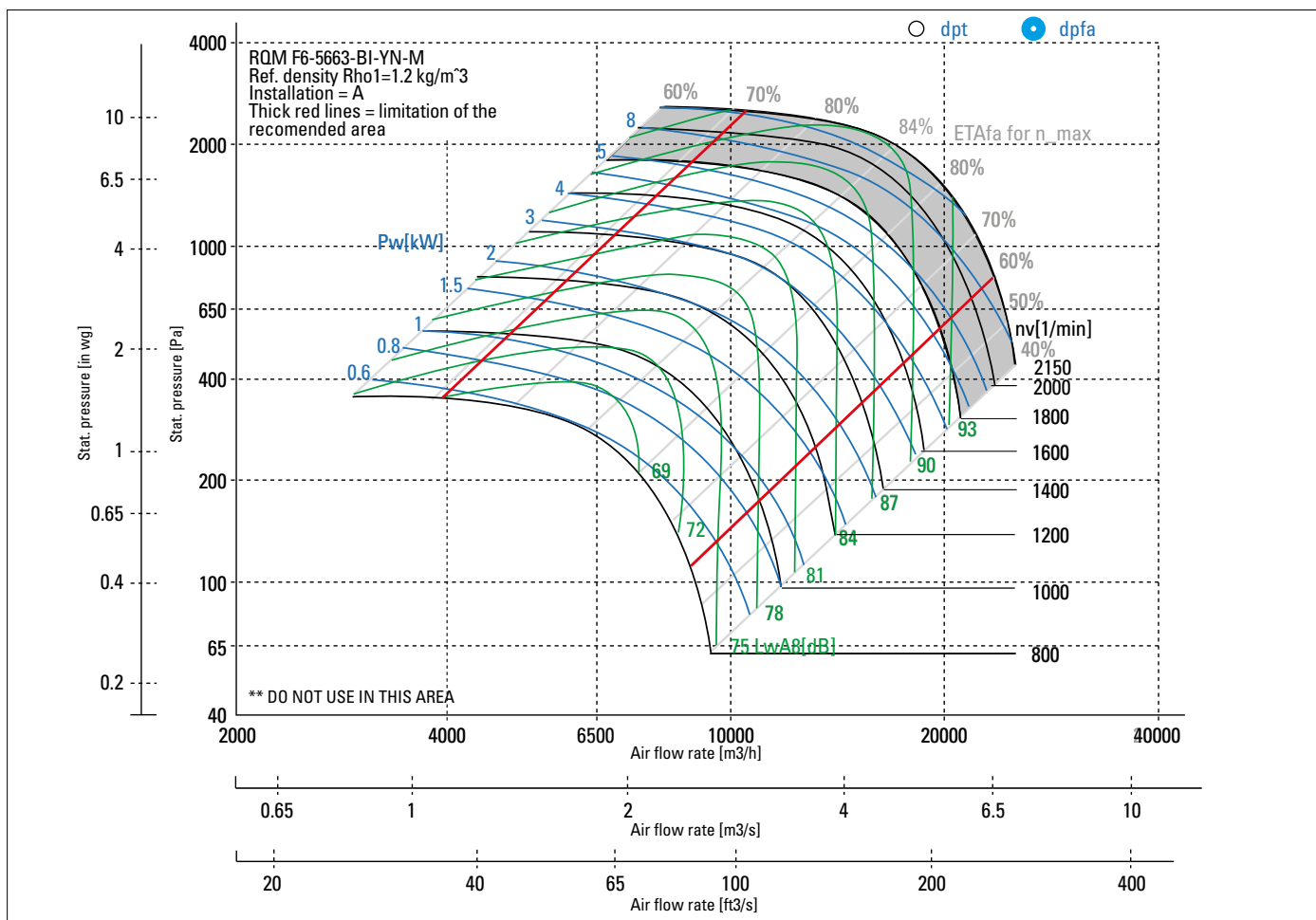
Phases-Voltage-Frequency	3-400-117	V-Hz
Frame size-No of poles	220-100 / IE5-10	
Power (P _N)	6.5	kW
Speed (n _N)	1400	1/min
Current (I _N)	16	A

operational limits

Max. fan speed (n _{max})	1800	1/min
Max. operating frequency (f _{max})	150	Hz
Temp. range for conveying medium (t _{min} ...t _{max})	-20...40	C



Patented technologie



Technical Data according to ErP-REGULATION 327/2011/EU

Overall efficiency (η _{se})	79,6 %
Measurement category	A
Efficiency category	statisch
Achieved efficiency grade (N _{ist})	81,2
Speed control	integriert
Year of manufacture	Is shown on the relevant rating plate for the product
Manufacturer	Nicotra Gebhardt GmbH, 74638 Waldenburg (Germany)
Type Model number	RQM F6-5663-BI-YN-M
Motor input power (P _{e,opt})	7,11 kW

Flow rate (q _{v,opt})	14181 m ³ /h
Pressure (p _{f,opt})	1437 Pa
Speed (N _{opt})	1800 min-1
Specific ratio (p ₂ /p ₁)	1,014
Disposal/Recycling: Information on recycling and disposal is provided in the operating instruction.	
Information on maintenance: Information on installation, operation and maintenance is provided in the operating instructions.	
Additional components: The measurements do not use components which are not part of the fan.	

Description

	Value	Dim.
Installation acc. DIN 24163 Part 1		A
Reference density (Rho1)	1,0	kg/m ³
Medium temperature (t)	20	C
Fan weight (m) basic device without accessories	134	kg

Feed data

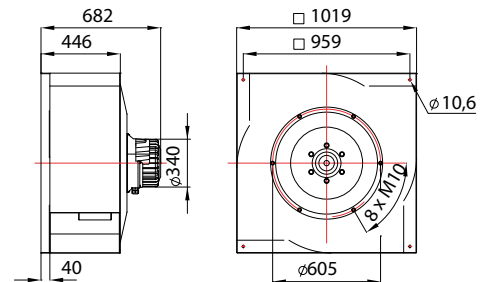
Main's frequency (f _N)	50/60	Hz
Voltage (U _N)	3~ 380-480	V

Rated motor data

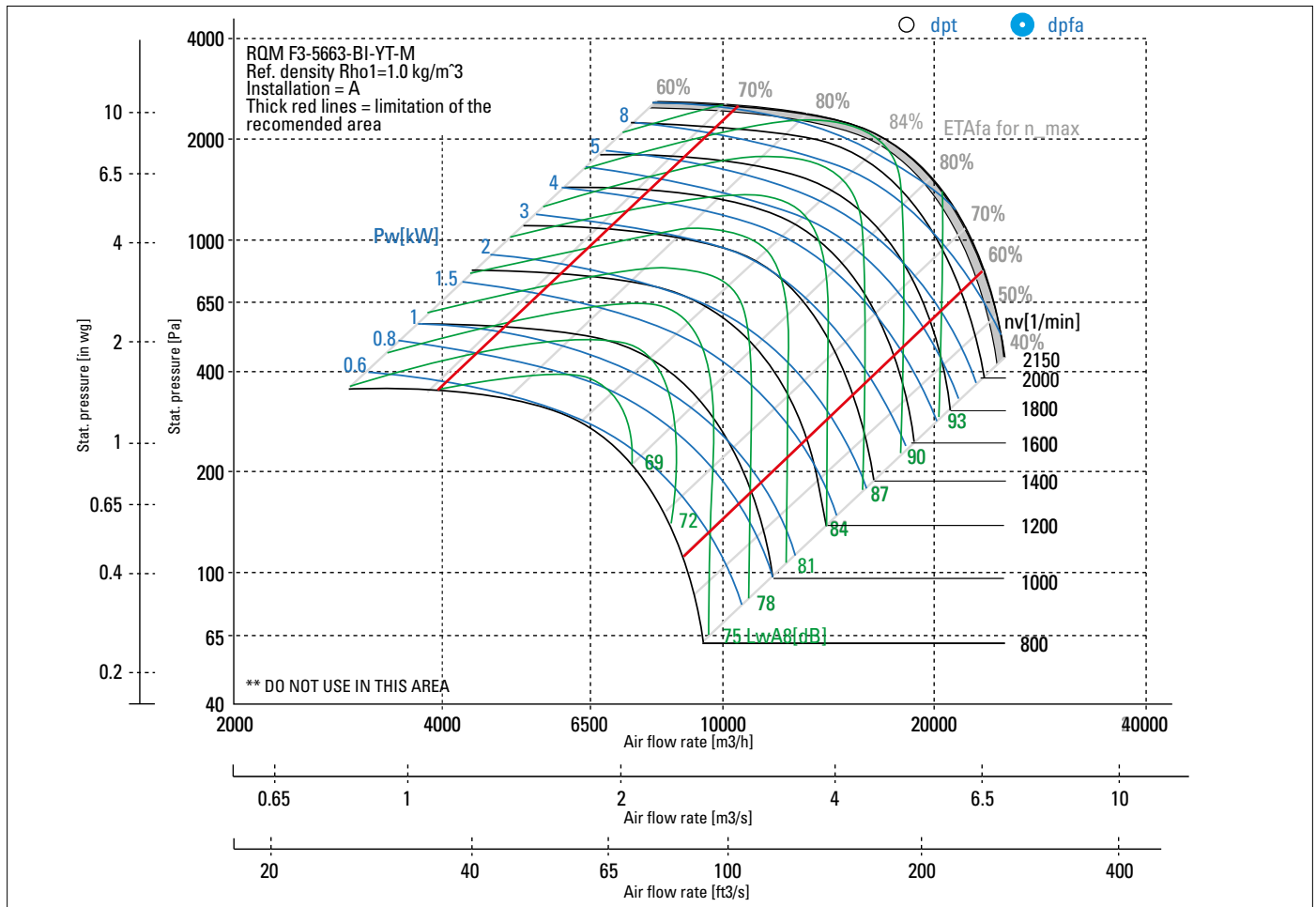
Phases-Voltage-Frequency	3-400-160	V-Hz
Frame size-No of poles	270-120 / IE5-20	
Power (P _N)	11	kW
Speed (n _N)	1600	1/min
Current (I _N)	24	A

operational limits

Max. fan speed (n _{vmax})	2050	1/min
Max. operating frequency (f _{max})	342	Hz
Temp. range for conveying medium (t _{min} ...t _{max})	-20...40	C



Patented technologie



Technical Data according to ErP-REGULATION 327/2011/EU

Overall efficiency (η _{se})	79,7 %
Measurement category	A
Efficiency category	statisch
Achieved efficiency grade (N _{ist})	79,7
Speed control	integriert
Year of manufacture	Is shown on the relevant rating plate for the product
Manufacturer	Nicotra Gebhardt GmbH, 74638 Waldenburg (Germany)
Type Model number	RQM F3-5663-BI-YT-M
Motor input power (P _{e,opt})	10,5 kW

Flow rate (q _{v,opt})	16150 m ³ /h
Pressure (p _{se,opt})	1863 Pa
Speed (N _{opt})	2050 min-1
Specific ratio (p ₂ /p ₁)	1,019
Disposal/Recycling:	Information on recycling and disposal is provided in the operating instruction.
Information on maintenance:	Information on installation, operation and maintenance is provided in the operating instructions.
Additional components:	The measurements do not use components which are not part of the fan.

Description

	Value	Dim.
Installation acc. DIN 24163 Part 1		A
Reference density (Rho1)	1,0	kg/m ³
Medium temperature (t)	20	C
Fan weight (m) basic device without accessories	174	kg

Feed data

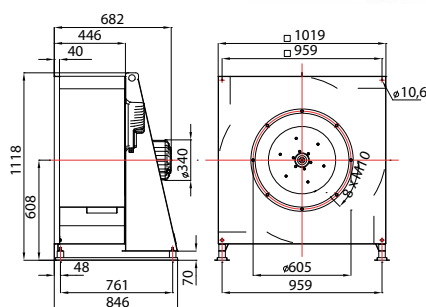
Main's frequency (f _N)	50/60	Hz
Voltage (U _N)	3~ 380-480	V

Rated motor data

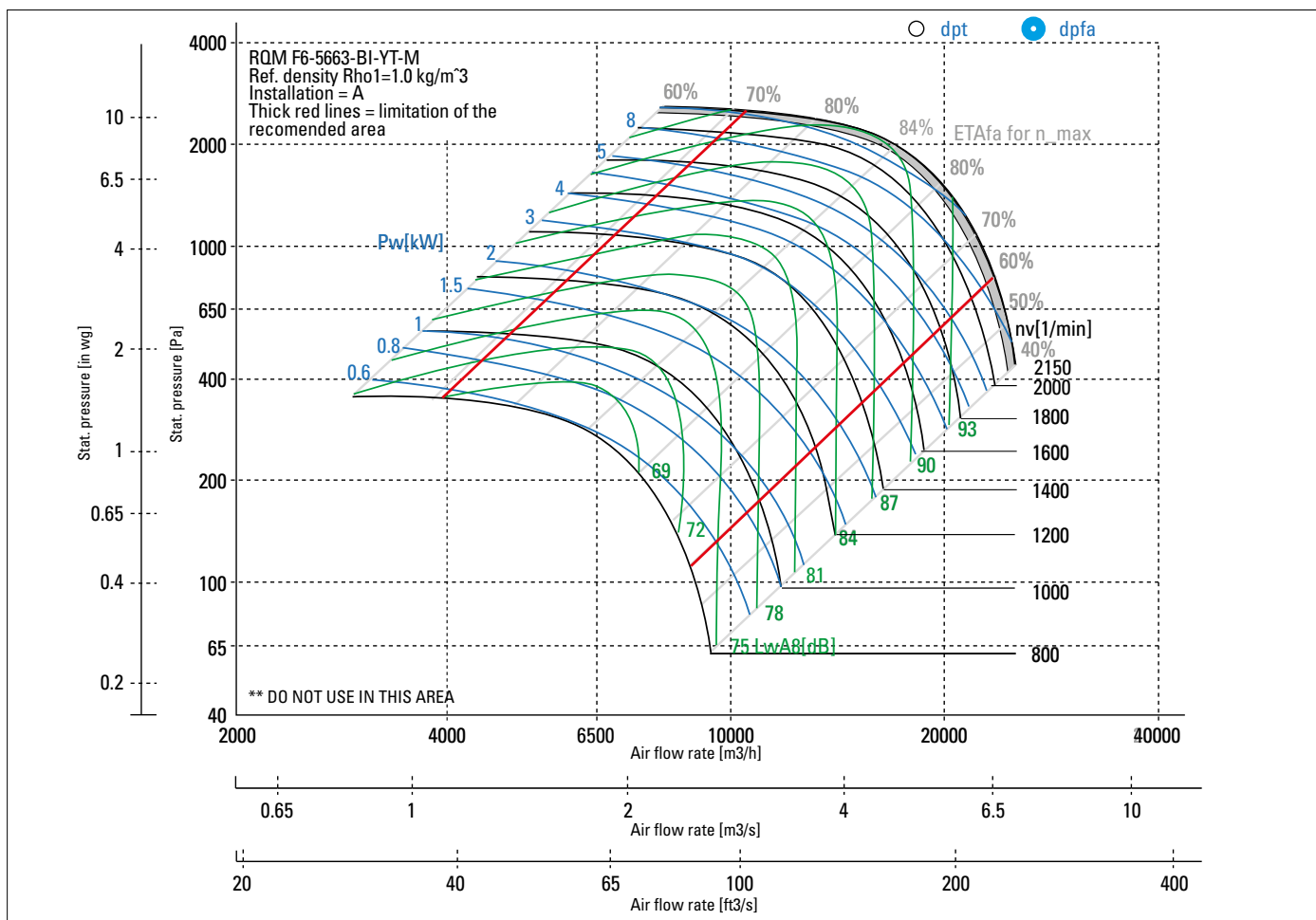
Phases-Voltage-Frequency	3~400-267	V-Hz
Frame size-No of poles	270-120 / IE5-20	
Power (P _N)	11	kW
Speed (n _N)	1600	1/min
Current (I _N)	24	A

operational limits

Max. fan speed (n _{max})	2050	1/min
Max. operating frequency (f _{max})	342	Hz
Temp. range for conveying medium (t _{min} ...t _{max})	-20...40	C



Patented technologie



Technical Data according to ErP-REGULATION 327/2011/EU

Overall efficiency (η _{se})	79,7 %
Measurement category	A
Efficiency category	statisch
Achieved efficiency grade (N _{ist})	79,7
Speed control	integriert
Year of manufacture	Is shown on the relevant rating plate for the product
Manufacturer	Nicotra Gebhardt GmbH, 74638 Waldenburg (Germany)
Type Model number	RQM F6-5663-BI-YT-M
Motor input power (P _{e,opt})	10,5 kW

Flow rate (q _{v,opt})	16150 m³/h
Pressure (p _{f,opt})	1863 Pa
Speed (N _{opt})	2050 min-1
Specific ratio (p ₂ /p ₁)	1,019
Disposal/Recycling: Information on recycling and disposal is provided in the operating instruction.	
Information on maintenance: Information on installation, operation and maintenance is provided in the operating instructions.	
Additional components: The measurements do not use components which are not part of the fan.	

Description

	Value	Dim.
Installation acc. DIN 24163 Part 1		A
Reference density (Rho1)	1,2	kg/m ³
Medium temperature (t)	20	C
Fan weight (m) basic device without accessories	177	kg

Feed data

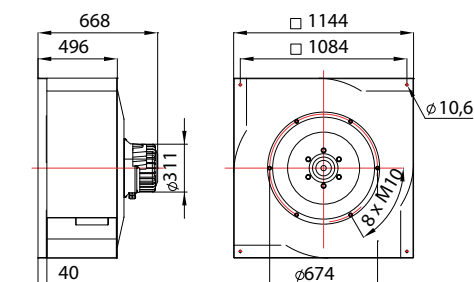
Main's frequency (f _N)	50/60	Hz
Voltage (U _N)	3~ 380-480	V

Rated motor data

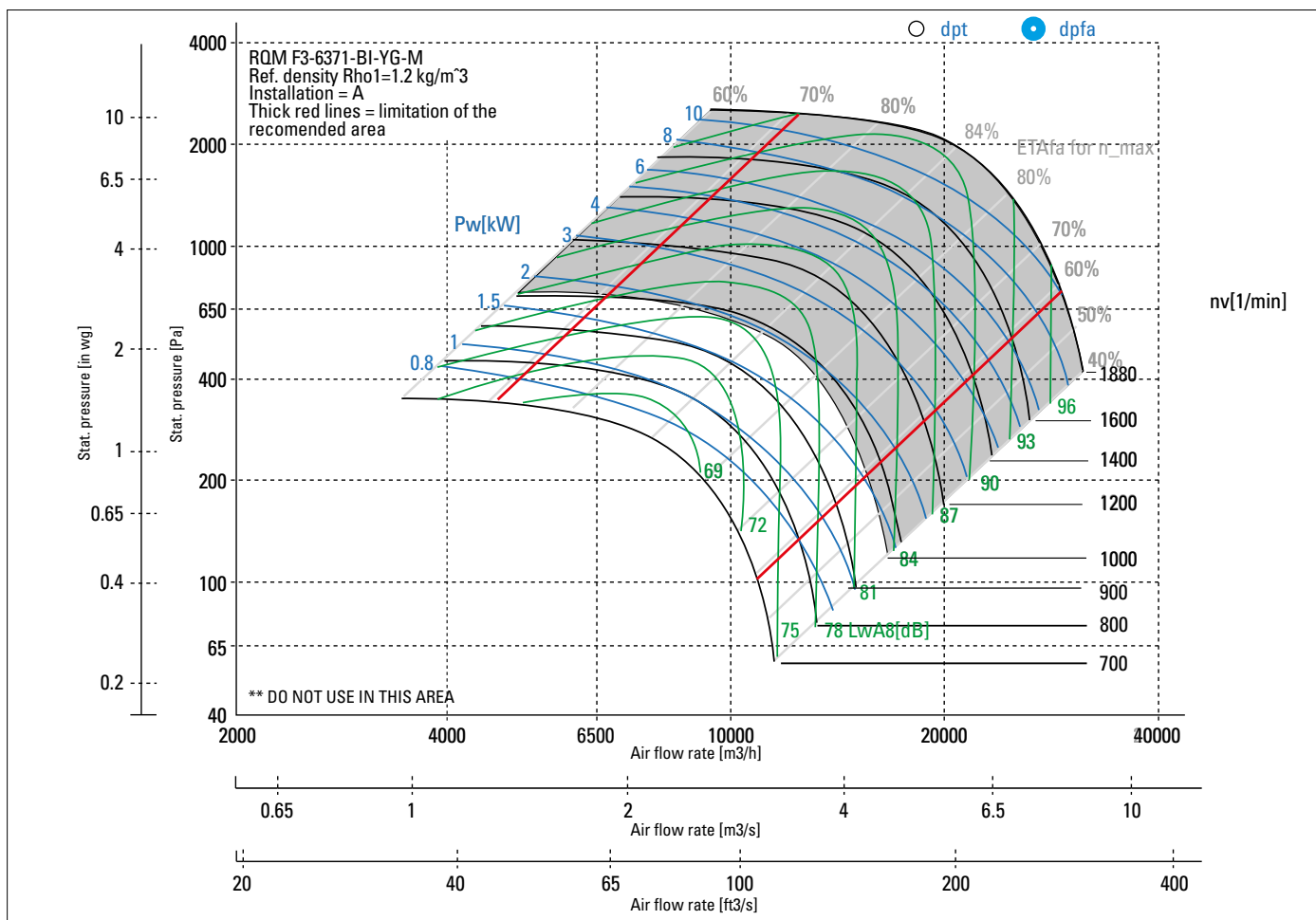
Phases-Voltage-Frequency	3-400-142	V-Hz
Frame size-No of poles	220-55 / IE5-10	
Power (P _N)	4.3	kW
Speed (n _N)	1700	1/min
Current (I _N)	10	A

operational limits

Max. fan speed (n _{vmax})	1000	1/min
Max. operating frequency (f _{max})	84	Hz
Temp. range for conveying medium (t _{min} ...t _{max})	-20...40	C



Patented technologie



Technical Data according to ErP-REGULATION 327/2011/EU

Overall efficiency (η _{se})	77,7 %
Measurement category	A
Efficiency category	statisch
Achieved efficiency grade (N _{ist})	84,7
Speed control	integriert
Year of manufacture	Is shown on the relevant rating plate for the product
Manufacturer	Nicotra Gebhardt GmbH, 74638 Waldenburg (Germany)
Type Model number	RQM F3-6371-BI-YG-M
Motor input power (P _{e,opt})	2,18 kW

Flow rate (q _{v,opt})	10960 m ³ /h
Pressure (p _{s,opt})	555 Pa
Speed (N _{opt})	1000 min-1
Specific ratio (p ₂ /p ₁)	1,006
Disposal/Recycling: Information on recycling and disposal is provided in the operating instruction.	
Information on maintenance: Information on installation, operation and maintenance is provided in the operating instructions.	
Additional components: The measurements do not use components which are not part of the fan.	

Description

	Value	Dim.
Installation acc. DIN 24163 Part 1		A
Reference density (Rho1)	1,2	kg/m ³
Medium temperature (t)	20	C
Fan weight (m) basic device without accessories	205	kg

Feed data

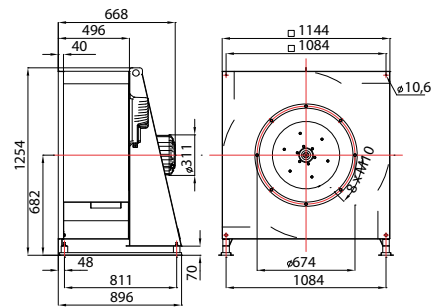
Main's frequency (f _N)	50/60	Hz
Voltage (U _N)	3~ 380-480	V

Rated motor data

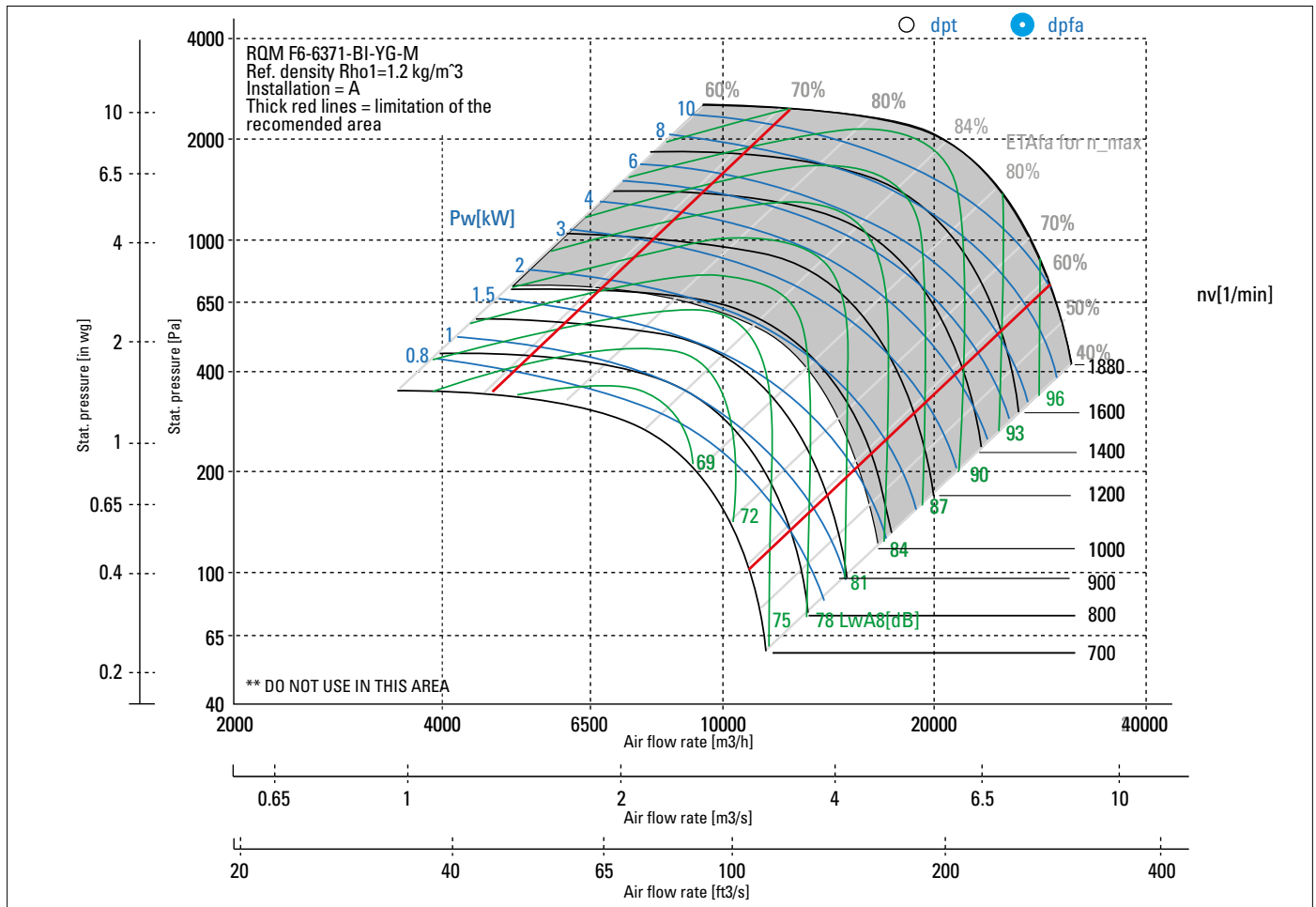
Phases-Voltage-Frequency	3~400-142	V-Hz
Frame size-No of poles	220-55 / IE5-10	
Power (P _N)	4.3	kW
Speed (n _N)	1700	1/min
Current (I _N)	10	A

operational limits

Max. fan speed (n _{max})	1000	1/min
Max. operating frequency (f _{max})	84	Hz
Temp. range for conveying medium (t _{min} ...t _{max})	-20...40	C



Patented technologie



Technical Data according to ErP-REGULATION 327/2011/EU

Overall efficiency (η _{se})	77,7 %
Measurement category	A
Efficiency category	statisch
Achieved efficiency grade (N _{ist})	84,7
Speed control	integriert
Year of manufacture	Is shown on the relevant rating plate for the product
Manufacturer	Nicotra Gebhardt GmbH, 74638 Waldenburg (Germany)
Type Model number	RQM F6-6371-BI-YG-M
Motor input power (P _{e,opt})	2,18 kW

Flow rate (q _{v,opt})	10960 m³/h
Pressure (p _{f,opt})	555 Pa
Speed (N _{opt})	1000 min-1
Specific ratio (p ₂ /p ₁)	1,006
Disposal/Recycling: Information on recycling and disposal is provided in the operating instruction.	
Information on maintenance: Information on installation, operation and maintenance is provided in the operating instructions.	
Additional components: The measurements do not use components which are not part of the fan.	

Description

	Value	Dim.
Installation acc. DIN 24163 Part 1		A
Reference density (Rho1)	1,2	kg/m ³
Medium temperature (t)	20	C
Fan weight (m) basic device without accessories	189	kg

Feed data

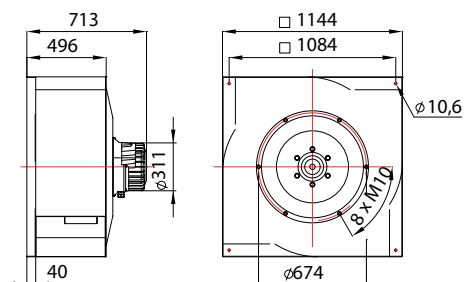
Main's frequency (f _N)	50/60	Hz
Voltage (U _N)	3~ 380-480	V

Rated motor data

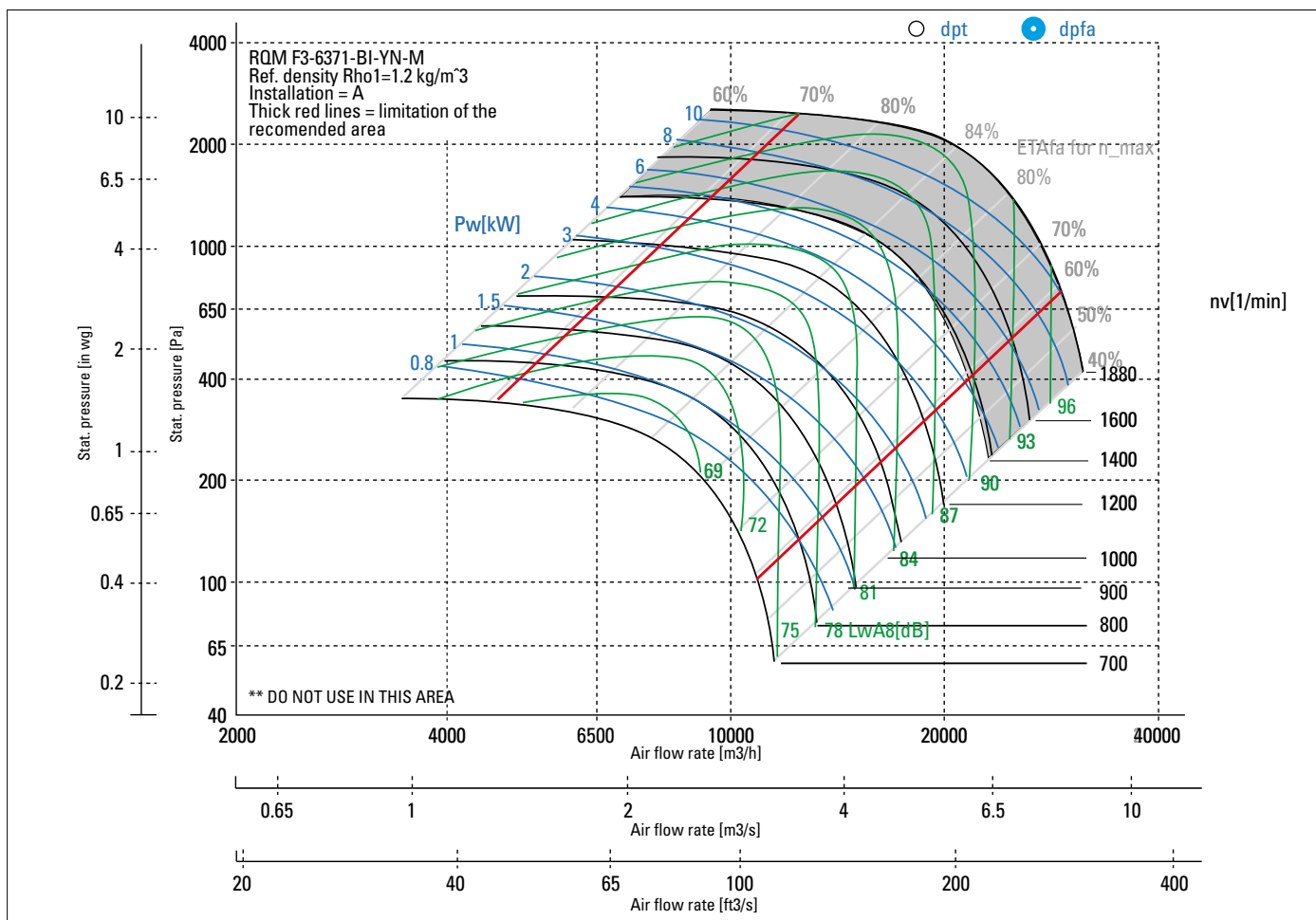
Phases-Voltage-Frequency	3-400-117	V-Hz
Frame size-No of poles	220-100 / IE5-10	
Power (P _N)	6.5	kW
Speed (n _N)	1400	1/min
Current (I _N)	16	A

operational limits

Max. fan speed (n _{vmax})	1400	1/min
Max. operating frequency (f _{max})	117	Hz
Temp. range for conveying medium (t _{min} ...t _{max})	-20...40	C



Patented technologie



Technical Data according to ErP-REGULATION 327/2011/EU

Overall efficiency (η _{se})	77,9 %
Measurement category	A
Efficiency category	statisch
Achieved efficiency grade (N _{ist})	80,2
Speed control	integriert
Year of manufacture	Is shown on the relevant rating plate for the product
Manufacturer	Nicotra Gebhardt GmbH, 74638 Waldenburg (Germany)
Type Model number	RQM F3-6371-BI-YN-M
Motor input power (P _{e,opt})	5,96 kW

Flow rate (q _{v,opt})	15343 m ³ /h
Pressure (p _{se,opt})	1088 Pa
Speed (N _{opt})	1400 min ⁻¹
Specific ratio (p ₂ /p ₁)	1,011
Disposal/Recycling: Information on recycling and disposal is provided in the operating instruction.	
Information on maintenance: Information on installation, operation and maintenance is provided in the operating instructions.	
Additional components: The measurements do not use components which are not part of the fan.	

Description

	Value	Dim.
Installation acc. DIN 24163 Part 1		A
Reference density (Rho1)	1,2	kg/m ³
Medium temperature (t)	20	C
Fan weight (m) basic device without accessories	218	kg

Feed data

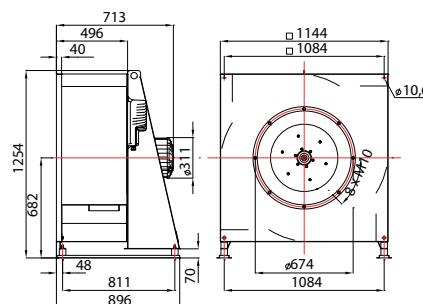
Main's frequency (f _N)	50/60	Hz
Voltage (U _N)	3~ 380-480	V

Rated motor data

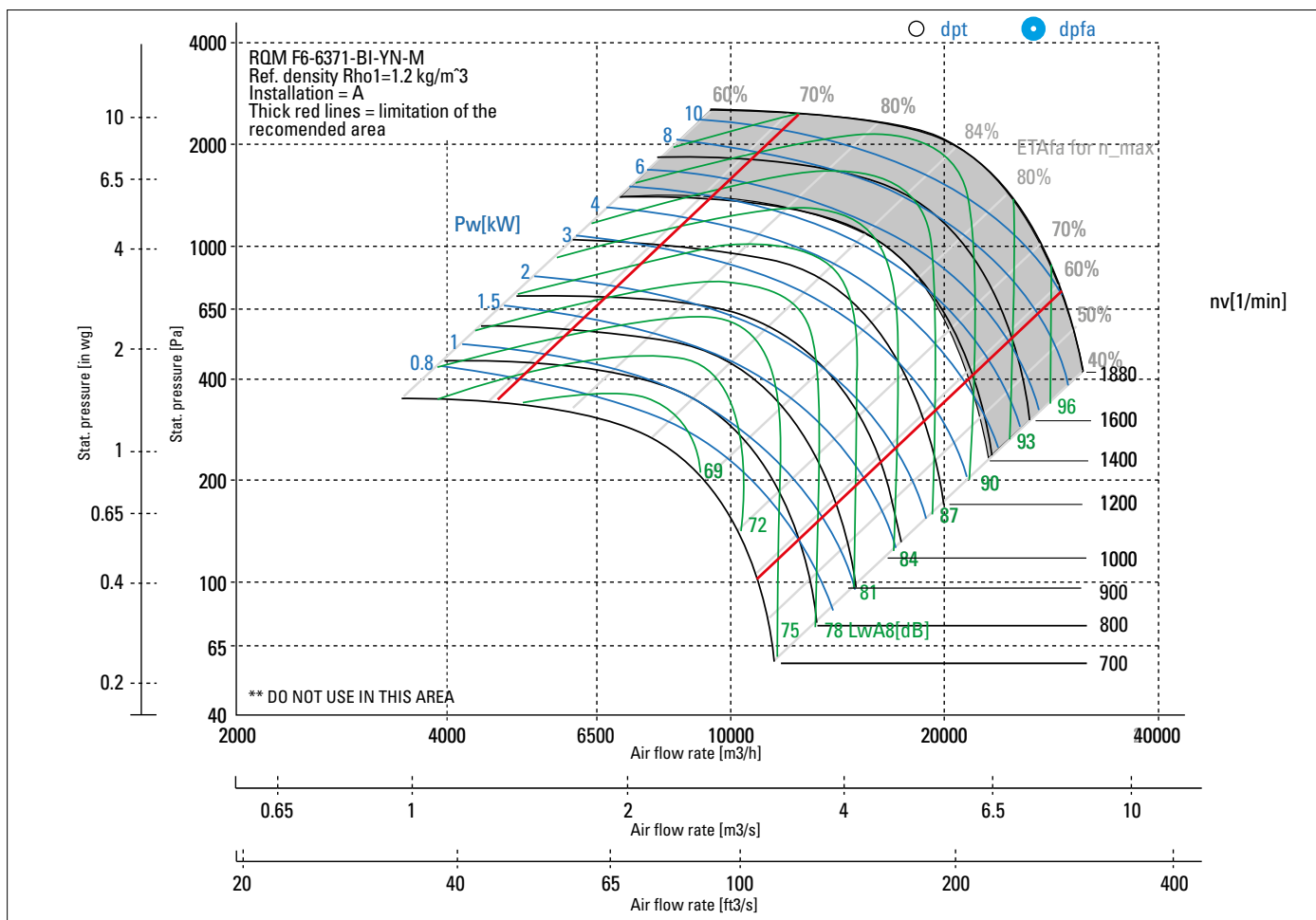
Phases-Voltage-Frequency	3~400-117	V-Hz
Frame size-No of poles	220-100 / IE5-10	
Power (P _N)	6.5	kW
Speed (n _N)	1400	1/min
Current (I _N)	16	A

operational limits

Max. fan speed (n _{max})	1400	1/min
Max. operating frequency (f _{max})	117	Hz
Temp. range for conveying medium (t _{min} ...t _{max})	-20...40	C



Patented technologie



Technical Data according to ErP-REGULATION 327/2011/EU

Overall efficiency (η _{se})	77,9 %
Measurement category	A
Efficiency category	statisch
Achieved efficiency grade (N _{ist})	80,2
Speed control	integriert
Year of manufacture	Is shown on the relevant rating plate for the product
Manufacturer	Nicotra Gebhardt GmbH, 74638 Waldenburg (Germany)
Type Model number	RQM F6-6371-BI-YN-M
Motor input power (P _{e,opt})	5,96 kW

Flow rate (q _{v,opt})	15343 m³/h
Pressure (p _{se,opt})	1088 Pa
Speed (N _{opt})	1400 min-1
Specific ratio (p ₂ /p ₁)	1,011
Disposal/Recycling: Information on recycling and disposal is provided in the operating instruction.	
Information on maintenance: Information on installation, operation and maintenance is provided in the operating instructions.	
Additional components: The measurements do not use components which are not part of the fan.	

Description

	Value	Dim.
Installation acc. DIN 24163 Part 1		A
Reference density (Rho1)	1,0	kg/m ³
Medium temperature (t)	20	C
Fan weight (m) basic device without accessories	166	kg

Feed data

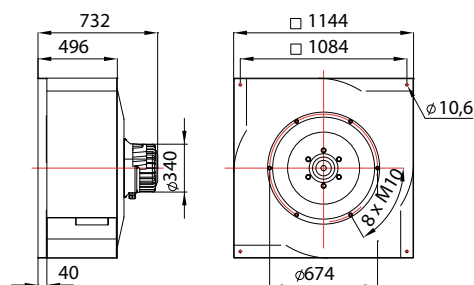
Main's frequency (f _N)	50/60	Hz
Voltage (U _N)	3~ 380-480	V

Rated motor data

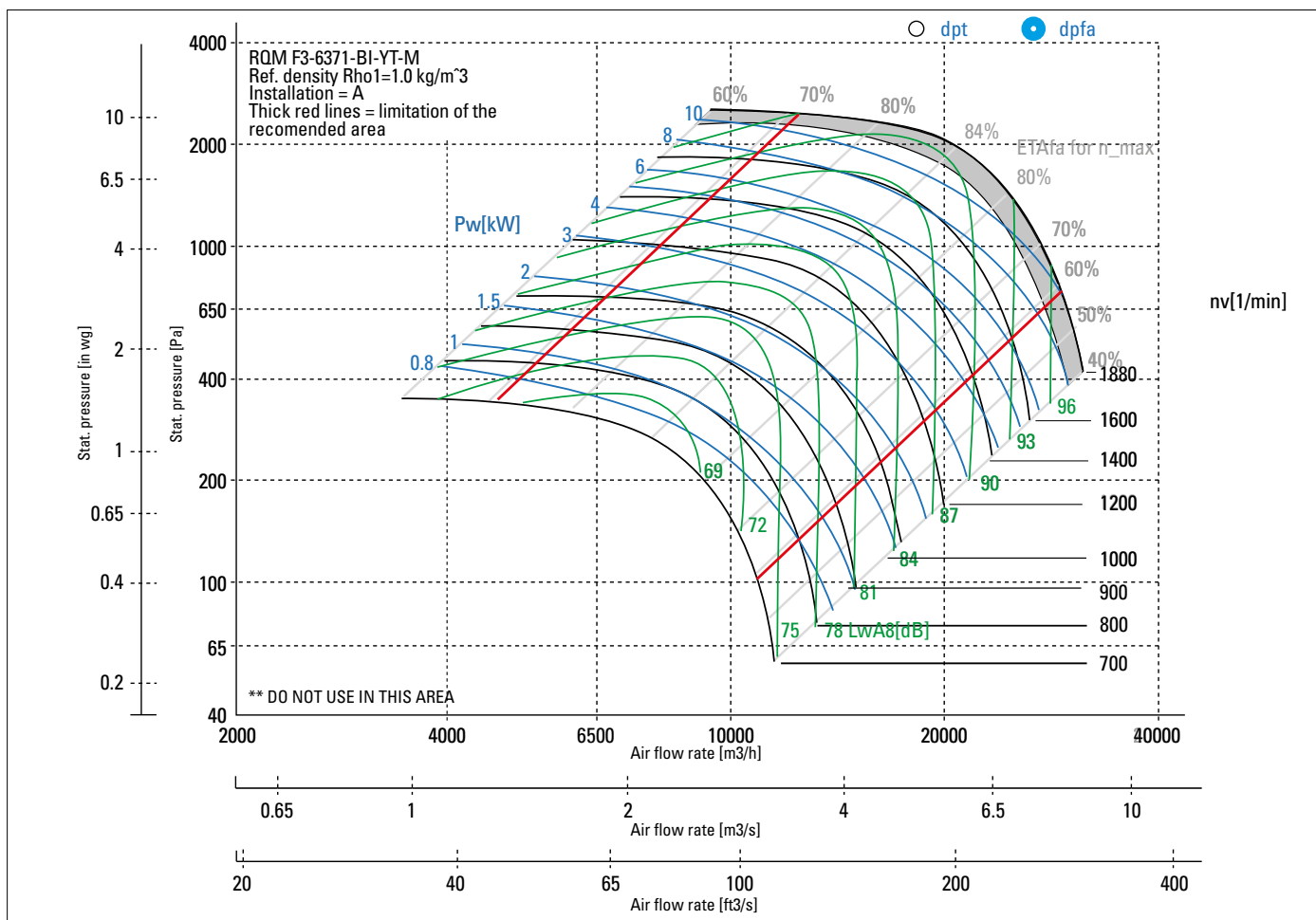
Phases-Voltage-Frequency	3-400-267	V-Hz
Frame size-No of poles	270-120 / IE5-20	
Power (P _N)	11	kW
Speed (n _N)	1600	1/min
Current (I _N)	24	A

operational limits

Max. fan speed (n _{max})	1730	1/min
Max. operating frequency (f _{max})	289	Hz
Temp. range for conveying medium (t _{min} ...t _{max})	-20...40	C



Patented technologie



Technical Data according to ErP-REGULATION 327/2011/EU

Overall efficiency (η _{se})	78,7 %
Measurement category	A
Efficiency category	statisch
Achieved efficiency grade (N _{ist})	78,6
Speed control	integriert
Year of manufacture	Is shown on the relevant rating plate for the product
Manufacturer	Nicotra Gebhardt GmbH, 74638 Waldenburg (Germany)
Type Model number	RQM F3-6371-BI-YT-M
Motor input power (P _{e,opt})	11,1 kW

Flow rate (q _{v,opt})	18960 m ³ /h
Pressure (p _{se,opt})	1661 Pa
Speed (N _{opt})	1730 min-1
Specific ratio (p ₂ /p ₁)	1,017
Disposal/Recycling:	Information on recycling and disposal is provided in the operating instruction.
Information on maintenance:	Information on installation, operation and maintenance is provided in the operating instructions.
Additional components:	The measurements do not use components which are not part of the fan.

Description

	Value	Dim.
Installation acc. DIN 24163 Part 1		A
Reference density (Rho1)	1,0	kg/m ³
Medium temperature (t)	20	C
Fan weight (m) basic device without accessories	214	kg

Feed data

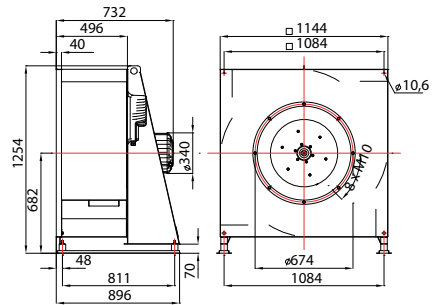
Main's frequency (f _N)	50/60	Hz
Voltage (U _N)	3~ 380-480	V

Rated motor data

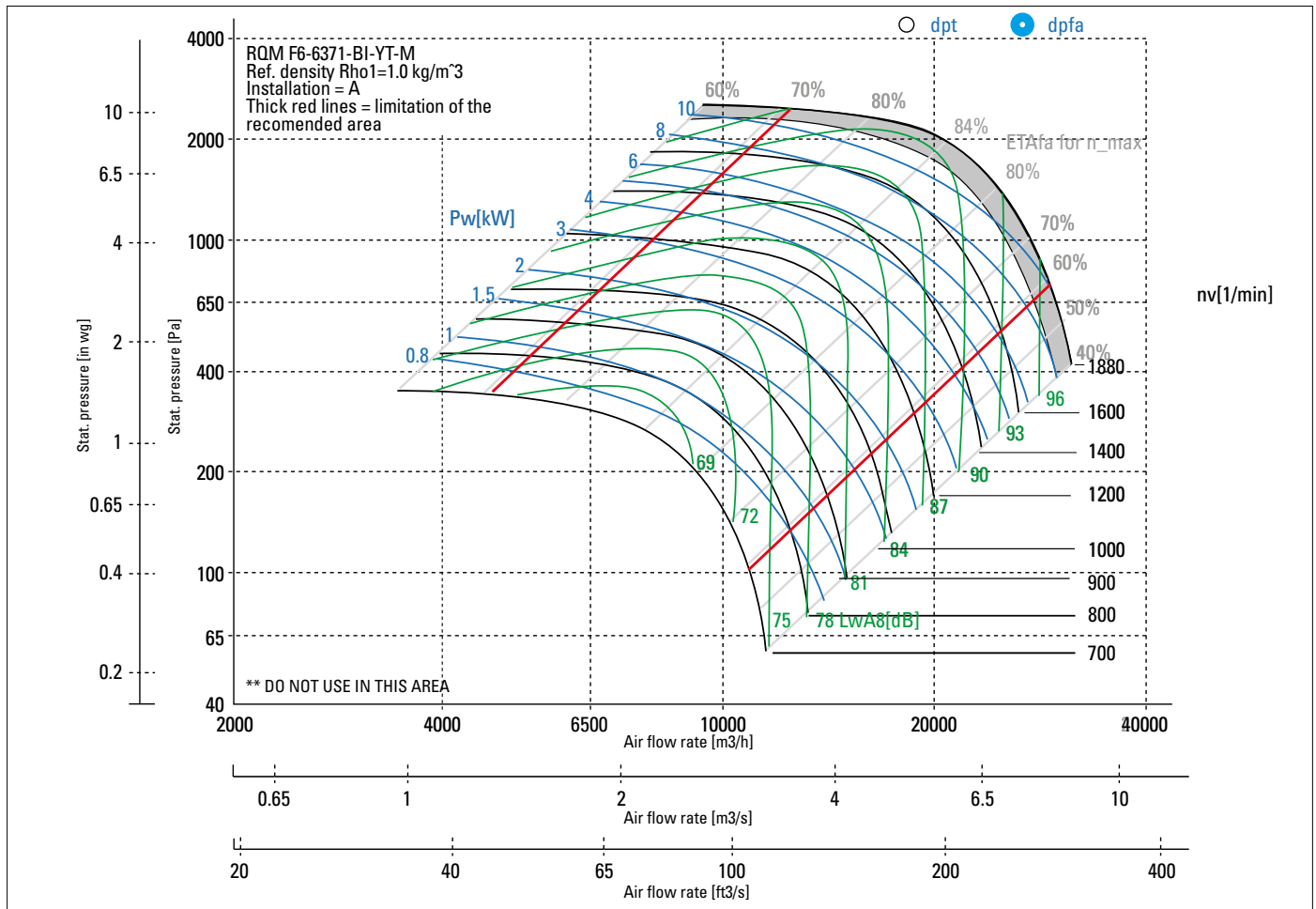
Phases-Voltage-Frequency	3~400-267	V-Hz
Frame size-No of poles	270-120 / IE5-20	
Power (P _N)	11	kW
Speed (n _N)	1600	1/min
Current (I _N)	24	A

operational limits

Max. fan speed (n _{max})	1730	1/min
Max. operating frequency (f _{max})	289	Hz
Temp. range for conveying medium (t _{min} ...t _{max})	-20...40	C



Patented technologie



Technical Data according to ErP-REGULATION 327/2011/EU

Overall efficiency (η _{se})	78,7 %
Measurement category	A
Efficiency category	statisch
Achieved efficiency grade (N _{ist})	78,6
Speed control	integriert
Year of manufacture	Is shown on the relevant rating plate for the product
Manufacturer	Nicotra Gebhardt GmbH, 74638 Waldenburg (Germany)
Type Model number	RQM F6-6371-BI-YT-M
Motor input power (P _{e,opt})	11,1 kW

Flow rate (q _{v,opt})	18960 m³/h
Pressure (p _{f,opt})	1661 Pa
Speed (N _{opt})	1730 min-1
Specific ratio (p ₂ /p ₁)	1,017
Disposal/Recycling: Information on recycling and disposal is provided in the operating instruction.	
Information on maintenance: Information on installation, operation and maintenance is provided in the operating instructions.	
Additional components: The measurements do not use components which are not part of the fan.	

Description

	Value	Dim.
Installation acc. DIN 24163 Part 1		A
Reference density (Rho1)	1,2	kg/m ³
Medium temperature (t)	20	C
Fan weight (m) basic device without accessories	292	kg

Feed data

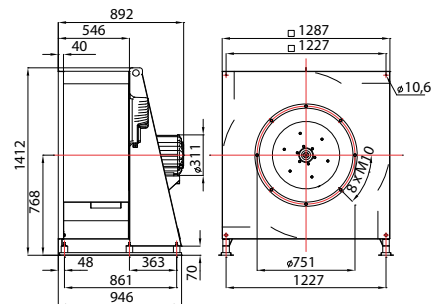
Main's frequency (f _N)	50/60	Hz
Voltage (U _N)	3~ 380-480	V

Rated motor data

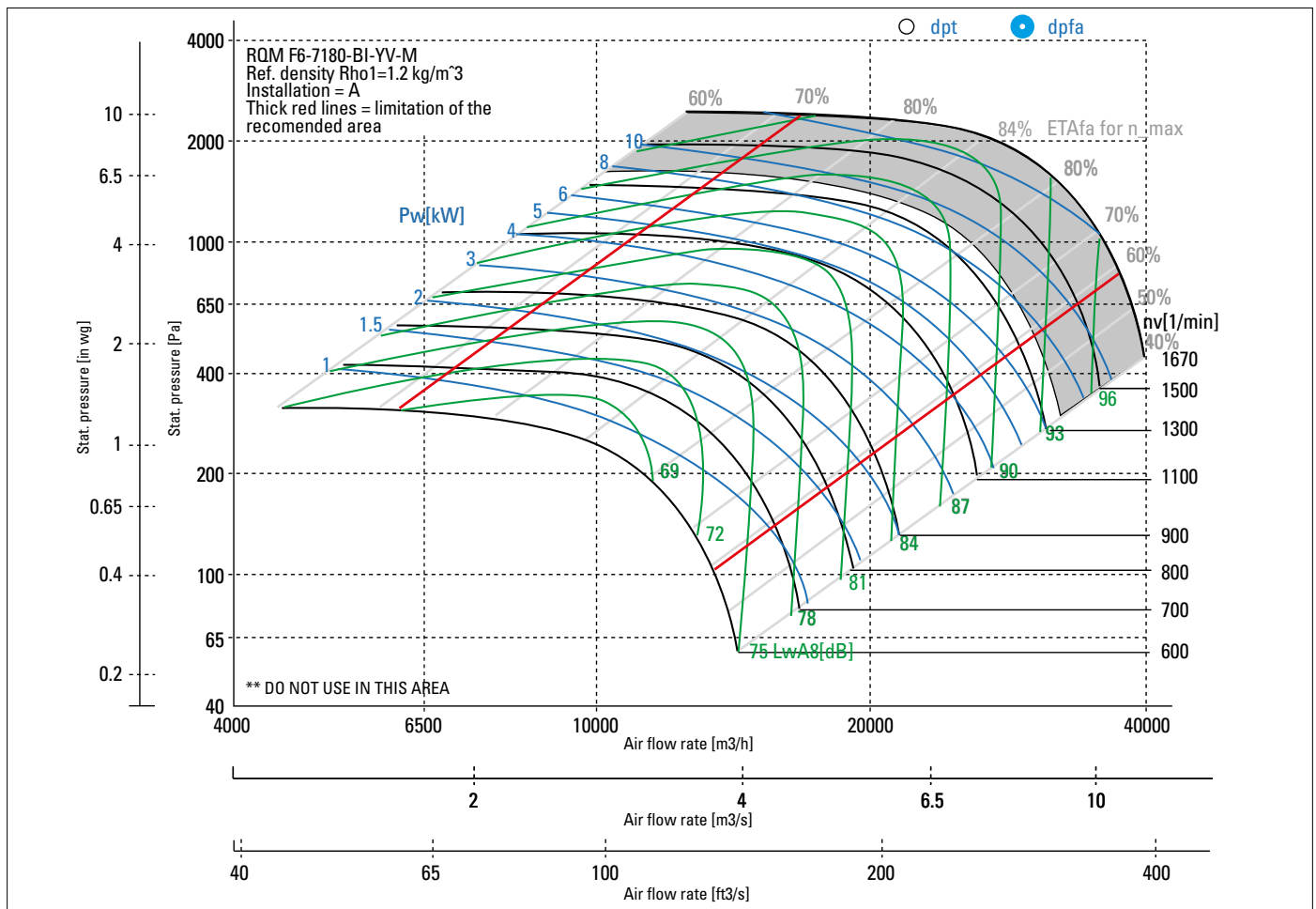
Phases-Voltage-Frequency	3-400-120	V-Hz
Frame size-No of poles	270-160 / IE5-12	
Power (P _N)	10,8	kW
Speed (n _N)	1200	1/min
Current (I _N)	20	A

operational limits

Max. fan speed (n _{max})	1350	1/min
Max. operating frequency (f _{max})	135	Hz
Temp. range for conveying medium (t _{min} ...t _{max})	-20...40	C



Patented technologie



Technical Data according to ErP-REGULATION 327/2011/EU

Overall efficiency (η _{se})	79,2 %
Measurement category	A
Efficiency category	statisch
Achieved efficiency grade (N _{ist})	79,2
Speed control	integriert
Year of manufacture	Is shown on the relevant rating plate for the product
Manufacturer	Nicotra Gebhardt GmbH, 74638 Waldenburg (Germany)
Type Model number	RQM F6-7180-BI-YV-M
Motor input power (P _{e,opt})	9,97 kW

Flow rate (q _{v,opt})	21855,3697 m ³ /h
Pressure (p _{s,opt})	1301 Pa
Speed (N _{opt})	1350 min-1
Specific ratio (p ₂ /p ₁)	1,013
Disposal/Recycling: Information on recycling and disposal is provided in the operating instruction.	
Information on maintenance: Information on installation, operation and maintenance is provided in the operating instructions.	
Additional components: The measurements do not use components which are not part of the fan.	

Description

	Value	Dim.
Installation acc. DIN 24163 Part 1		A
Reference density (Rho1)	1,2	kg/m ³
Medium temperature (t)	20	C
Fan weight (m) basic device without accessories	322	kg

Feed data

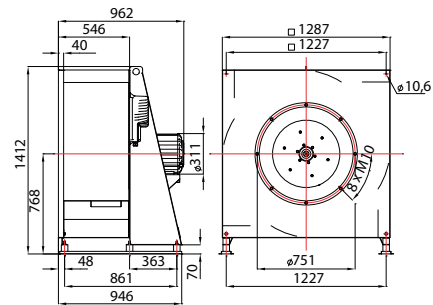
Main's frequency (f _N)	50/60	Hz
Voltage (U _N)	3~ 380-480	V

Rated motor data

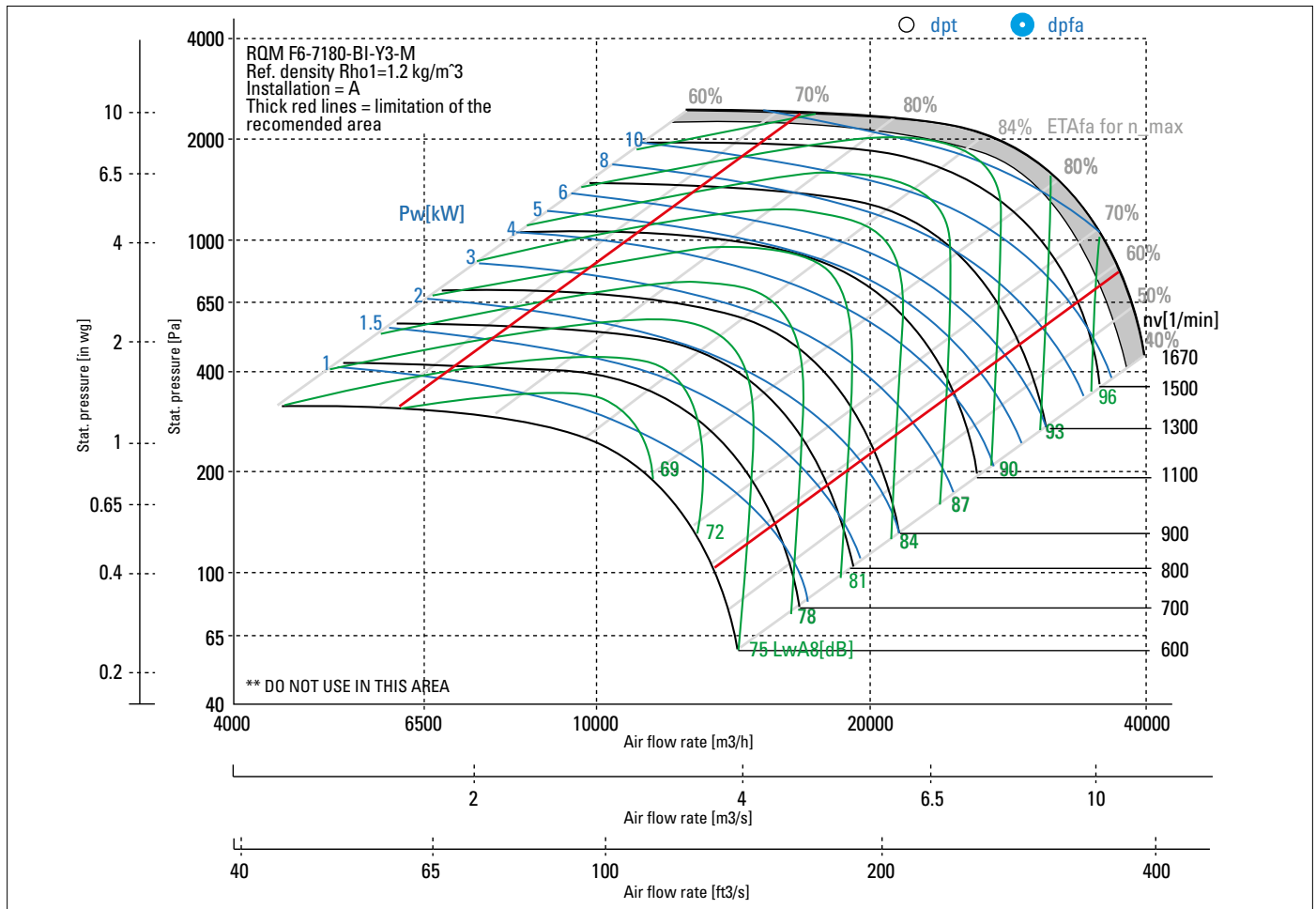
Phases-Voltage-Frequency	3~400-120	V-Hz
Frame size-No of poles	270-240 / IE5-12	
Power (P _N)	15	kW
Speed (n _N)	1200	1/min
Current (I _N)	32	A

operational limits

Max. fan speed (n _{vmax})	1600	1/min
Max. operating frequency (f _{max})	160	Hz
Temp. range for conveying medium (t _{min} ...t _{max})	-20...40	C



Patented technologie



Technical Data according to ErP-REGULATION 327/2011/EU

Overall efficiency (η _{se})	80,0 %
Measurement category	A
Efficiency category	statisch
Achieved efficiency grade (N _{ist})	79,5
Speed control	integriert
Year of manufacture	Is shown on the relevant rating plate for the product
Manufacturer	Nicotra Gebhardt GmbH, 74638 Waldenburg (Germany)
Type Model number	RQM F6-7180-BI-Y3-M
Motor input power (P _{e,opt})	16,4 kW

Flow rate (q _{v,opt})	25903 m ³ /h
Pressure (p _{se,opt})	1827 Pa
Speed (N _{opt})	1600 min ⁻¹
Specific ratio (p ₂ /p ₁)	1,018
Disposal/Recycling:	Information on recycling and disposal is provided in the operating instruction.
Information on maintenance:	Information on installation, operation and maintenance is provided in the operating instructions.
Additional components:	The measurements do not use components which are not part of the fan.

Description

	Value	Dim.
Installation acc. DIN 24163 Part 1		A
Reference density (Rho1)	1,2	kg/m ³
Medium temperature (t)	20	C
Fan weight (m) basic device without accessories	352	kg

Feed data

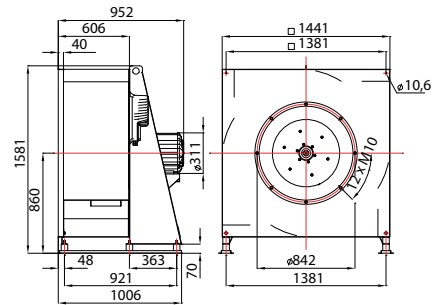
Main's frequency (f _N)	50/60	Hz
Voltage (U _N)	3~ 380-480	V

Rated motor data

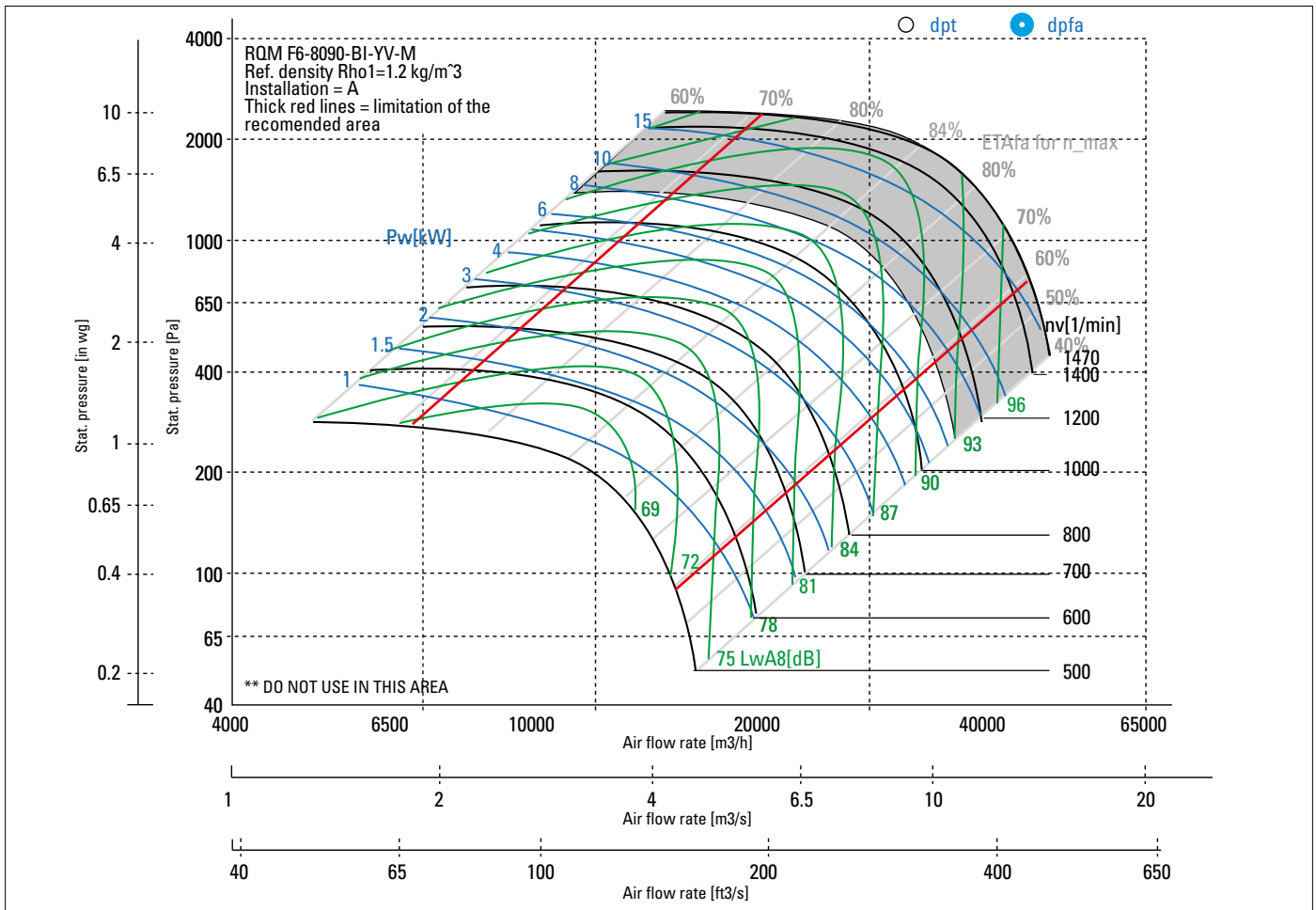
Phases-Voltage-Frequency	3-400-120	V-Hz
Frame size-No of poles	270-160 / IE5-12	
Power (P _N)	10	kW
Speed (n _N)	1200	1/min
Current (I _N)	20	A

operational limits

Max. fan speed (n _{max})	1100	1/min
Max. operating frequency (f _{max})	110	Hz
Temp. range for conveying medium (t _{min} ...t _{max})	-20...40	C



Patented technologie



Technical Data according to ErP-REGULATION 327/2011/EU

Overall efficiency (η _{se})	79,6 %
Measurement category	A
Efficiency category	statisch
Achieved efficiency grade (N _{ist})	79,9
Speed control	integriert
Year of manufacture	Is shown on the relevant rating plate for the product
Manufacturer	Nicotra Gebhardt GmbH, 74638 Waldenburg (Germany)
Type Model number	RQM F6-8090-BI-YV-M
Motor input power (P _{e,opt})	9,32 kW

Flow rate (q _{v,opt})	24624 m ³ /h
Pressure (p _{s,opt})	1085 Pa
Speed (N _{opt})	1100 min-1
Specific ratio (p ₂ /p ₁)	1,011
Disposal/Recycling:	Information on recycling and disposal is provided in the operating instruction.
Information on maintenance:	Information on installation, operation and maintenance is provided in the operating instructions.
Additional components:	The measurements do not use components which are not part of the fan.

Description

	Value	Dim.
Installation acc. DIN 24163 Part 1		A
Reference density (Rho1)	1,2	kg/m ³
Medium temperature (t)	20	C
Fan weight (m) basic device without accessories	380	kg

Feed data

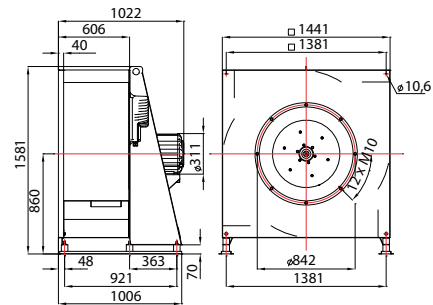
Main's frequency (f _N)	50/60	Hz
Voltage (U _N)	3~ 380-480	V

Rated motor data

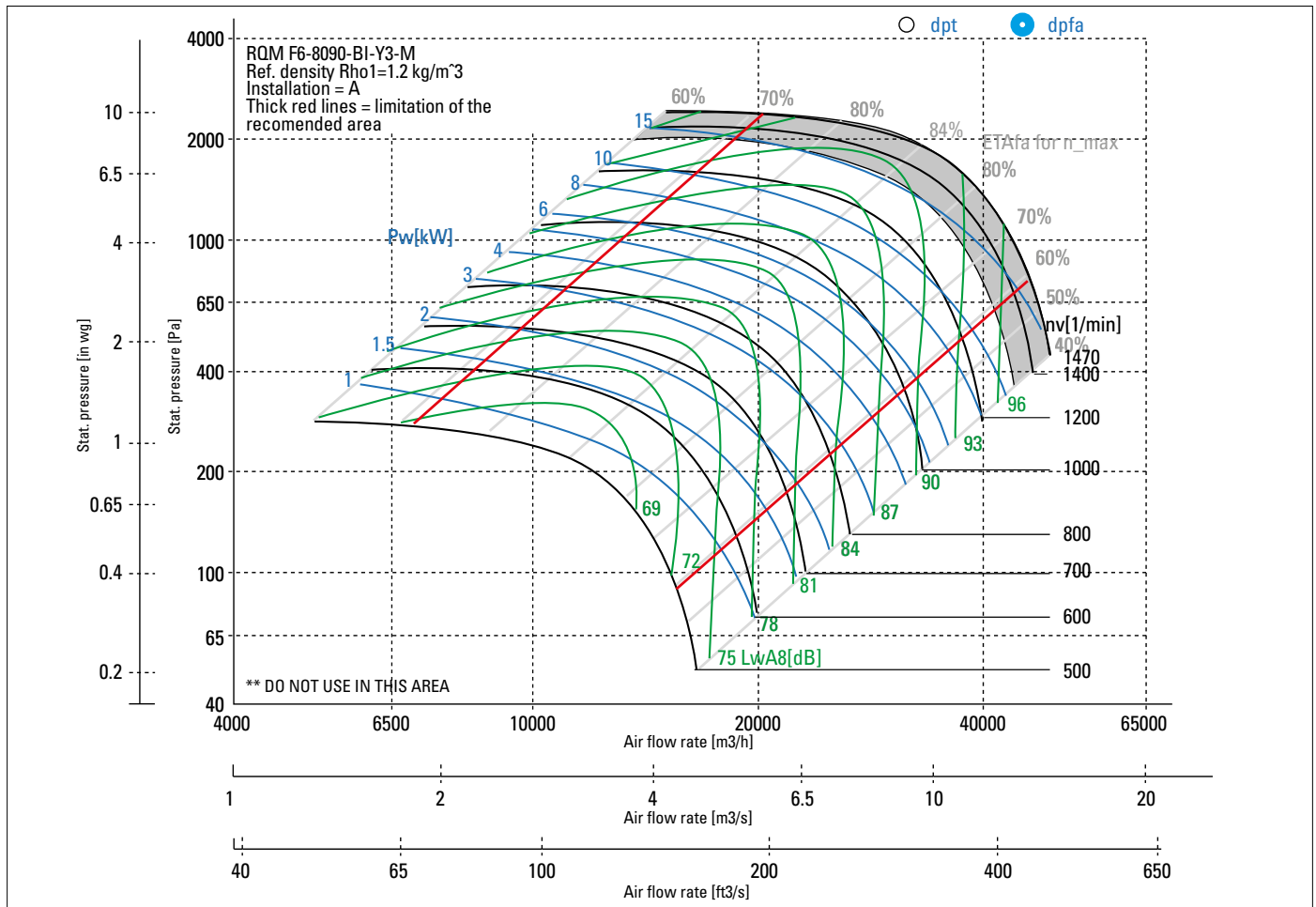
Phases-Voltage-Frequency	3-400-120	V-Hz
Frame size-No of poles	270-240 / IE5-12	
Power (P _N)	15	kW
Speed (n _N)	1200	1/min
Current (I _N)	32	A

operational limits

Max. fan speed (n _{max})	1320	1/min
Max. operating frequency (f _{max})	132	Hz
Temp. range for conveying medium (t _{min} ...t _{max})	-20...40	C



Patented technologie



Technical Data according to ErP-REGULATION 327/2011/EU

Overall efficiency (η _{se})	79,6 %
Measurement category	A
Efficiency category	statisch
Achieved efficiency grade (N _{ist})	79,2
Speed control	integriert
Year of manufacture	Is shown on the relevant rating plate for the product
Manufacturer	Nicotra Gebhardt GmbH, 74638 Waldenburg (Germany)
Type Model number	RQM F6-8090-BI-Y3-M
Motor input power (P _{e,opt})	16,1 kW

Flow rate (q _{v,opt})	29549 m ³ /h
Pressure (p _{f,opt})	1562 Pa
Speed (N _{opt})	1320 min-1
Specific ratio (p ₂ /p ₁)	1,016
Disposal/Recycling:	Information on recycling and disposal is provided in the operating instruction.
Information on maintenance:	Information on installation, operation and maintenance is provided in the operating instructions.
Additional components:	The measurements do not use components which are not part of the fan.

ProSELECTA II / Ventil

The easy and sure way of selecting your fan!

Start the interaktive online software for selecting your individual fan system here ...

proSELECTA

Are you already registered?

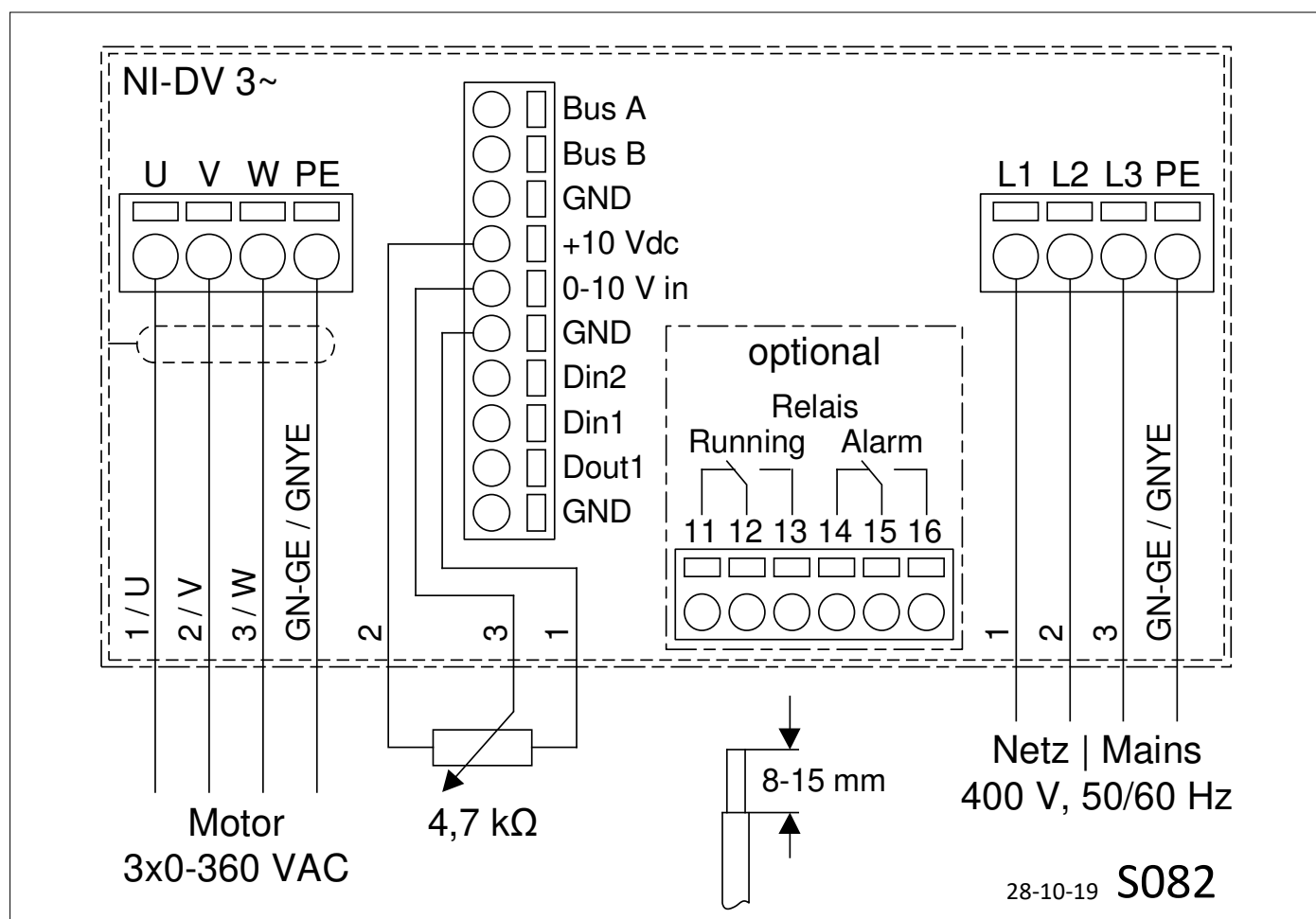
[Here you can register proSELECTA II ...](#)



What is a fan selection software?

Technical selection software program that enable you to configure your own individually designed fan. It provides you with the opportunity of choosing from the entire range of fan types and their associated equipment options.

Wiring System



It can't be simpler.



A stackable modular system in various sizes is available for installing fangrids. If, as part of an energy-related modernisation, a large housing fan is to be replaced, then using modular construction there is no need to install an additional partition wall.

With the Nicotra Gebhardt "proSELECTA" software you can identify the most economic fan solution in each case.

**RPM MultiEvo
with hybrid multiple scroll technology**

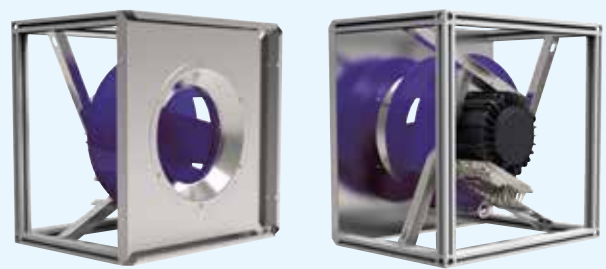


Type

Dimensions in mm

RPM0606-F31-BIIR-M	625x625x515
RPM0808-F40-BIWT-M	800x800x600
RPM1010-F50-BIYG-M	975x975x690
RPM1212-F63-BIYN-M	1200x1200x800
RPM1212-F63-BIYS-M	1200x1200x800

**RPM Evo
with free-running fans**



Type

Dimensions in mm

RPM0606-E40-BIWT-M	625x625x515
RPM0808-E50-BIYG-M	800x800x600
RPM1010-E63-BIYN-M	975x975x690
RPM1212-E71-BIYS-M	1200x1200x800

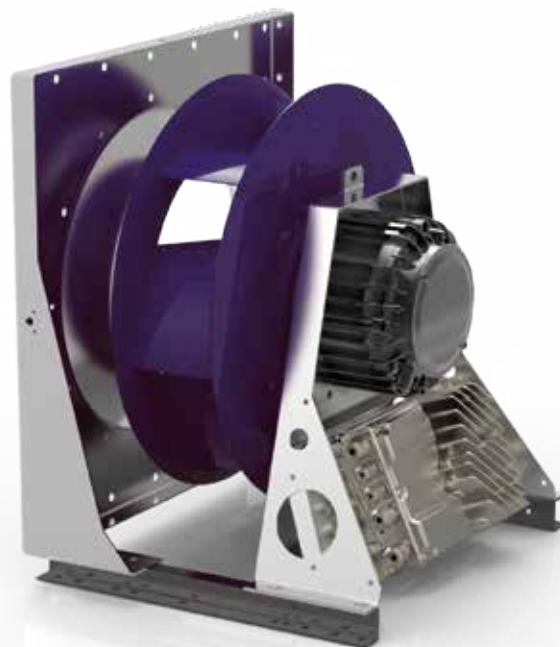
Equipped for the future.

Fans are expected to achieve higher and higher levels of efficiency. This means: More performance with less electricity. Binding obligations for this are specified in the ErP Directive (Energy Related Products).

Nicotra Gebhardt® fan modules already achieve levels of motor efficiency up to IE5 today – which is well beyond the specifications required for the future.

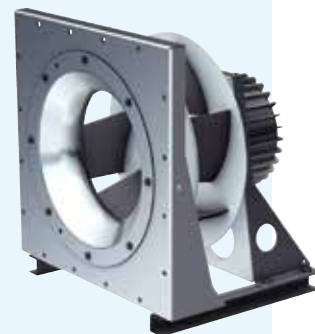
This means: With Nicotra Gebhardt fans you are equipped for the future and will benefit in three ways: Higher level of efficiency, lower electricity costs and conformity with the standards of tomorrow.

Incidentally: We are your first port of call for profiled impeller blades. Back in 1975, we introduced the first hollow-profile blade onto the market. Since then we have achieved the very best level of efficiency with our fans, in all application areas again and again.



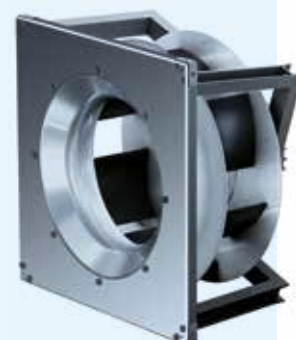
THE RLM EVO E6 RANGE FOR INSTALLATION IN AIR PROCESSING UNITS

- | | | |
|--|--|---|
| <ul style="list-style-type: none"> • Internal rotor motor level of efficiency IE5 • Horizontal installation • Impeller size 280 – 900 • Max. motor power 18 kW • Control system with integrated electronics | <ul style="list-style-type: none"> • Internal rotor motor level of efficiency IE5 • Horizontal installation • Impeller size 250 – 900 • Max. motor power 17 kW • Control system with frequency inverter | <ul style="list-style-type: none"> • Internal rotor motor level of efficiency IE3 • Horizontal installation • Impeller size 280 – 1250 • Max. motor power 45 kW • Control system with frequency inverter |
|--|--|---|



THE RLM EVO E3 RANGE FOR INSTALLATION ON THE CEILING OR THE FLOOR

- | | | |
|--|--|--|
| <ul style="list-style-type: none"> • Internal rotor motor level of efficiency IE5 • Vertical installation • Impeller size 280 – 710 • Max. motor power 12 kW • Control system with integrated electronics | <ul style="list-style-type: none"> • Internal rotor motor level of efficiency IE5 • Vertical installation • Impeller size 280 – 710 • Max. motor power 12 kW • Control system with frequency inverter | <ul style="list-style-type: none"> • Internal rotor motor level of efficiency IE3 • Vertical installation • Impeller size 280 – 710 • Max. motor power 11 kW • Control system with frequency inverter |
|--|--|--|



WORLDWIDE LOCATIONS



NICOTRA|Gebhardt®

Nicotra Gebhardt Germany

Nicotra Gebhardt GmbH
Gebhardtstraße 19-25
74638 Waldenburg (Germany)
Phone +49 7942 1010
Fax +49 7942 101 170
E-Mail info.ng.de@RegalRexnord.com
Web www.nicotra-gebhardt.com

Nicotra Gebhardt Italy

Regal Beloit Italy S.p.A.
Via Modena, 18
24040 Zingonia (BG) (Italy)
Phone +39 035 873 111
Fax +39 035 884 319
E-mail info.ng.it@RegalRexnord.com
Web www.nicotra-gebhardt.com

APPLICATION CONSIDERATIONS

The proper selection and application of products and components, including the related area of product safety, is the responsibility of the customer. Operating and performance requirements and potential associated issues will vary appreciably depending upon the use and application of such products and components. The scope of the technical and application information included in this publication is necessarily limited. Unusual operating environments and conditions, lubrication requirements, loading supports, and other factors can materially affect the application and operating results of the products and components and the customer should carefully review its requirements. Any technical advice or review furnished by Regal Beloit America, Inc. and/or its affiliates ("Regal") with respect to the use of products and components is given in good faith and without charge, and Regal assumes no obligation or liability for the advice given, or results obtained, all such advice and review being given and accepted at customer's risk.

For a copy of our Standard Terms and Conditions of Sale, please visit <https://www.regalbeloit.com/Terms-and-Conditions-of-Sale>. These terms and conditions of sale, disclaimers and limitations of liability apply to any person who may buy, acquire or use a Regal product referred to herein, including any person who buys from a licensed distributor of these branded products.