

RLM EVO® (IEC)

THE SMART FAN SOLUTION

REGAL®

THE SMART SOLUTION

Fans must always reach ever higher system efficiencies. This means: more output with less energy. Binding requirements for this have been determined in the ErP Directive (Energy-related Products). With the RLM Evo® fan series with IE3 standard motors, you can benefit from an immediate availability up to the highest performance ranges while maintaining all the advantages of Evo technology in terms of acoustics and aerodynamics.

Effectiveness and efficiency

On the basis of the aerodynamic properties alone, the levels of efficiency increase with increasing installation size. What is even more crucial is the impact of the engine power on the level of overall efficiency - in particular for lower powers. The result will therefore always be a higher level of efficiency for one larger fan in comparison with several similar smaller fans

arranged in parallel to carry out the same task with the corresponding lower power.

With the IE3 series you can achieve motor outputs of up to 37 kW and impeller sizes of up to 1250 mm.

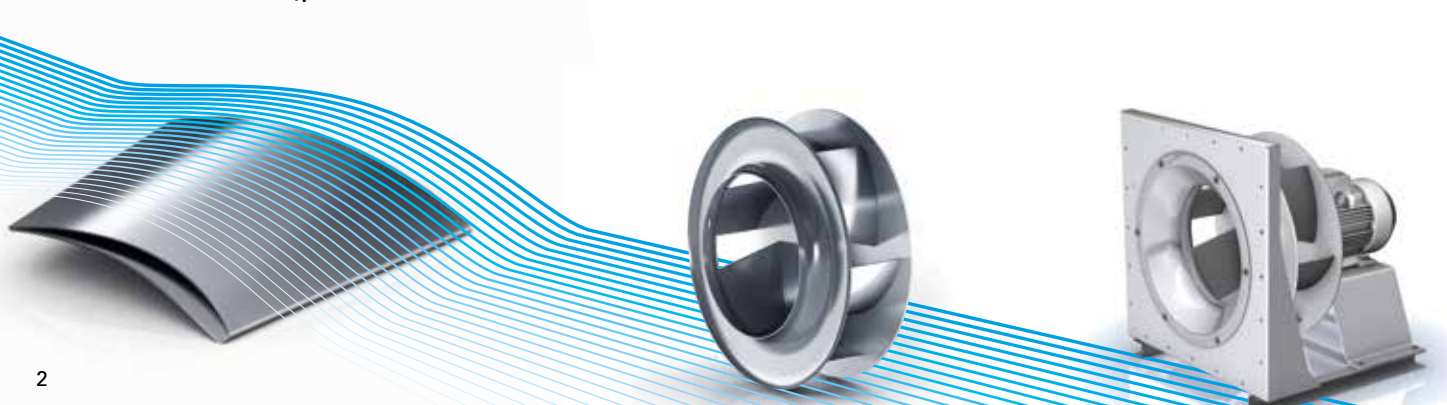
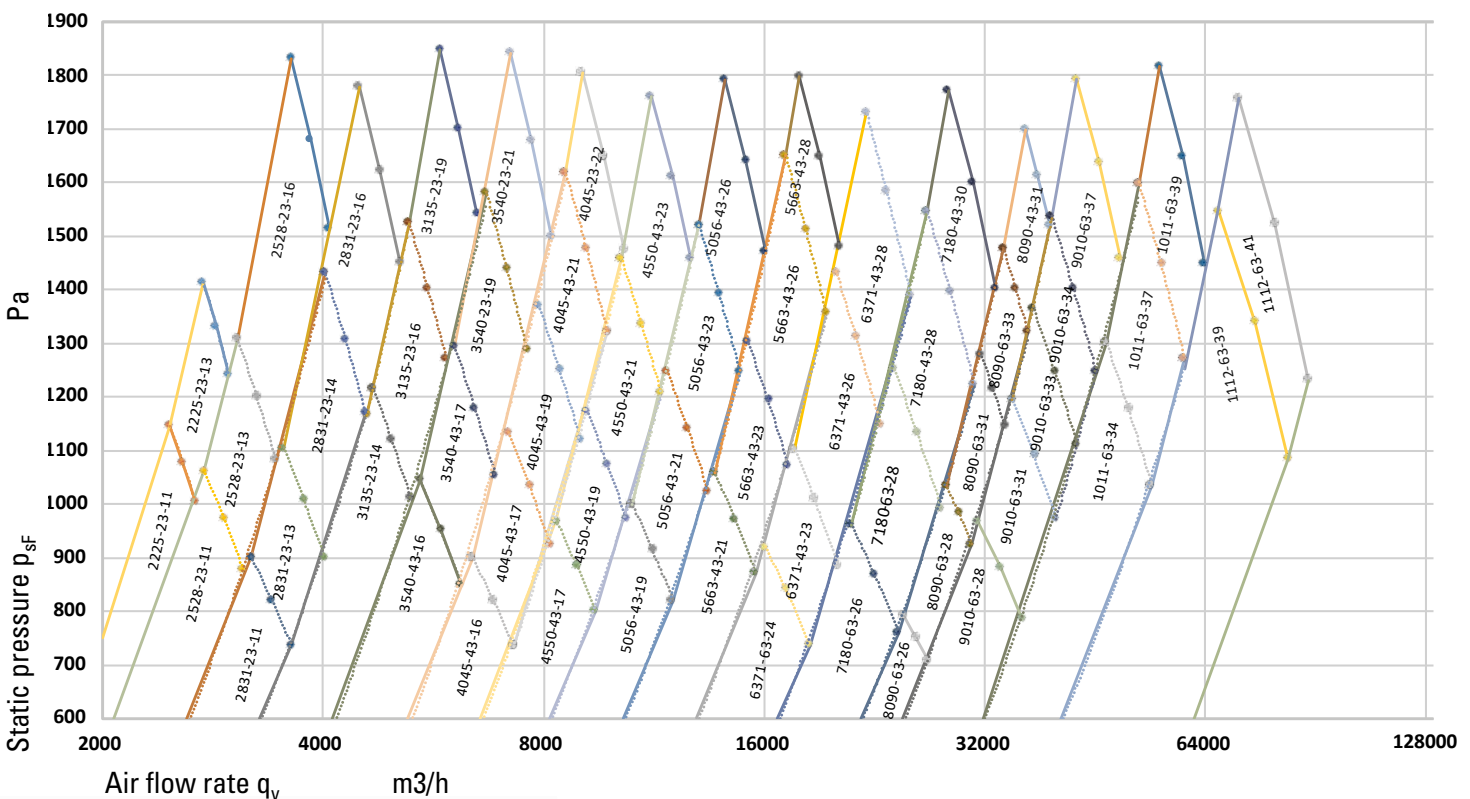
Acoustics and noise level

With Evo technology you benefit from an extremely low sound level due to its specific aerodynamic properties. Furthermore, often with parallel operation of several fans the result is a higher noise level than with larger fans with the corresponding lower operating speed. The preferred method of installation does not have an impact on the absorbers.

Less installation effort

Quick installation in existing systems or inclusion in the customary systems and simple replaceability in the event of maintenance.

Consolidated characteristics – most important IE3 sizes at a glance



FACTS AND FIGURES

Direct driven centrifugal fan RLM Evo with PREMIUM EFFICIENCY motor in efficiency class IE 3 (IEC 60034-30)

Complete assembly module with highest system efficiency, specifically developed and optimized for use without a spiral casing. Newly developed high performance impeller with optimized shape and highest efficiency, comprising six backward curved hollow section true aerofoil blades with real turbulence profile and rounded, inclined blade leading edges from impeller shroud to back plate, for optimal impact over the entire width of the blade. Co-rotating radial diffuser with optimized exit curving on the cover disc to enhance efficiency. Impeller made of high tensile sheet steel in an automated manufacturing process, robotic welding, degreased, iron phosphated and coated with a high quality epoxy-polyester mixed powder, fastened with a clamping bush to the shaft of the foot motor, balanced statically and dynamically according to DIN ISO 21940-11. System inlet cone made of galvanized sheet steel for optimal inflow to the impeller, equipped with flow measuring device IMV as a standard feature. Attached internal rotor motor, IM B3 mounting arrangement, with efficient asynchronous technology with 3 PTCs suitable for operation on the drive (VFD), optimally coordinated with the high performance impeller. Equipped on inlet side with connection possibility for quadratic supports. Complete module optimally adjusted, built to a common base frame prepared for vibration decoupling. Fan can only be used with a horizontal axis! Performance data (w/o drive) according to tolerance class 1 to DIN 24 166.

Noises

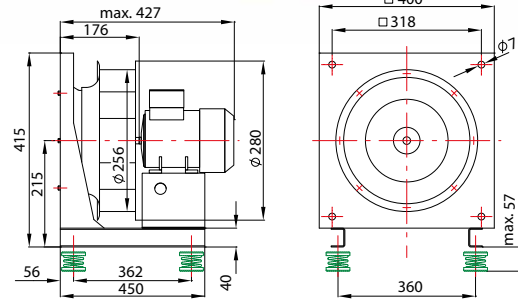
The measurement and analysis of noise will be conducted in accordance with DIN 45635-38 "Measuring noise in machines; fans". In the characteristics, the A sound power level LWA8 is specified as the emission level for the outlet side. The value for the inlet side LWA5 and the unweighted octave spectrum, which, for example, is required for sound absorber designs, can be determined for different operating points and rotational speeds using our fan selection program - proSELECTA. Access to this is on www.nicotra-gebhardt.com.

Performance data

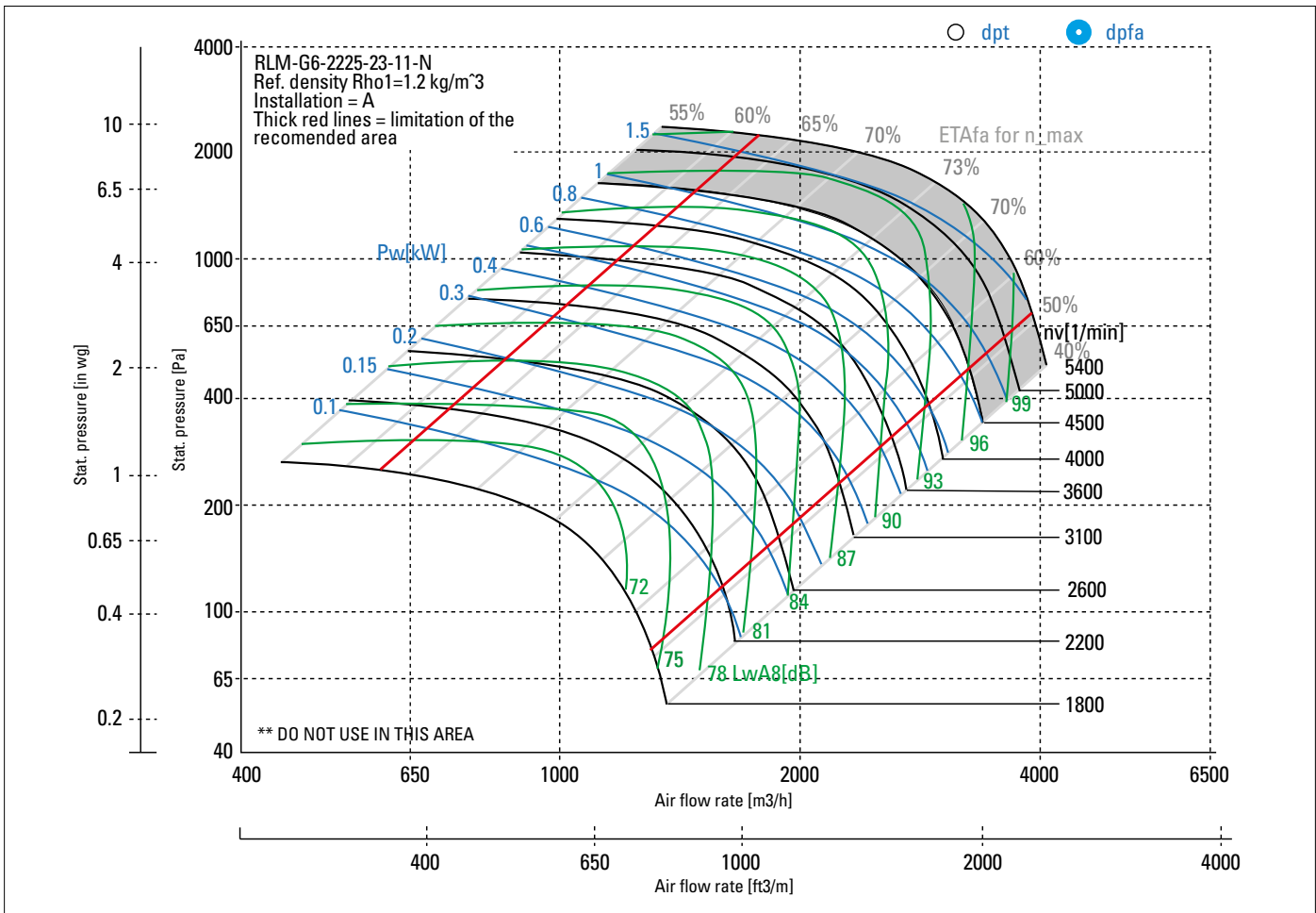
Determination of the fan characteristics and performance data is conducted in "A" type of installation on a test bench certified in accordance with ISO 5801. In the diagrams of all installation sizes, the free increase in blowout pressure Δp_F is shown relative to the volume flow q_V . The characteristics relate to a density $\rho_1 = 1.2 \text{ kg/m}^3$ of the conveying medium. Increase in pressure and drive power will alter in proportion to the density. The levels of efficiency η_{fa} specified in the characteristics relate to the impeller.

Accessories (Depending on the type)

Beschreibung	Artikel	Beschreibung	Artikel
Danfoss Inverter (3-FU in IP55 + filter class B + control panel + line reactor)	FC-102 3AC 400V 1,1kW EMV B	Connecting flange, loose	ZKF 15
		Elastic flexible connection, flanges galv.	ZKE 15
		Protection grid for intake	ZSG 04
		Set Spring type anti vibration mounts, uncoated	ZBD SP

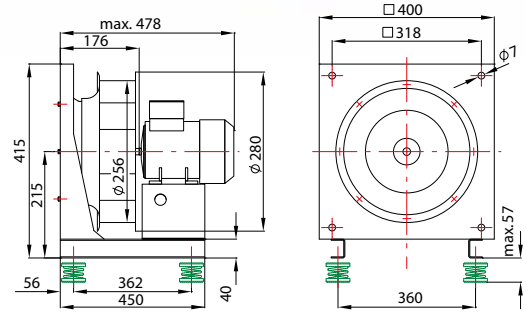


Description	Value	Dim.
Installation acc. DIN 24163 Part 1	A	
Reference density (Rho1)	1,2	kg/m ³
Medium temperature (t)	20	C
Fan weight (m) basic device without accessories	21	kg
Feed data		
Main's frequency (f _N)	50	Hz
Voltage (U _N)	400	V
Rated motor data		
Phases-Voltage-Frequency	3~400 S-50	V-Hz
Frame size-No of poles	80M / IE3-2	
Power (P _N)	1.1	kW
Speed (n _N)	2885	1/min
Current (I _N)	2,35	A
operational limits		
Max. fan speed (n _{vmax})	4500	1/min
Max. operating frequency (f _{max})	78	Hz
Temp. range for conveying medium (t _{min} ...t _{max})	-20...40	C

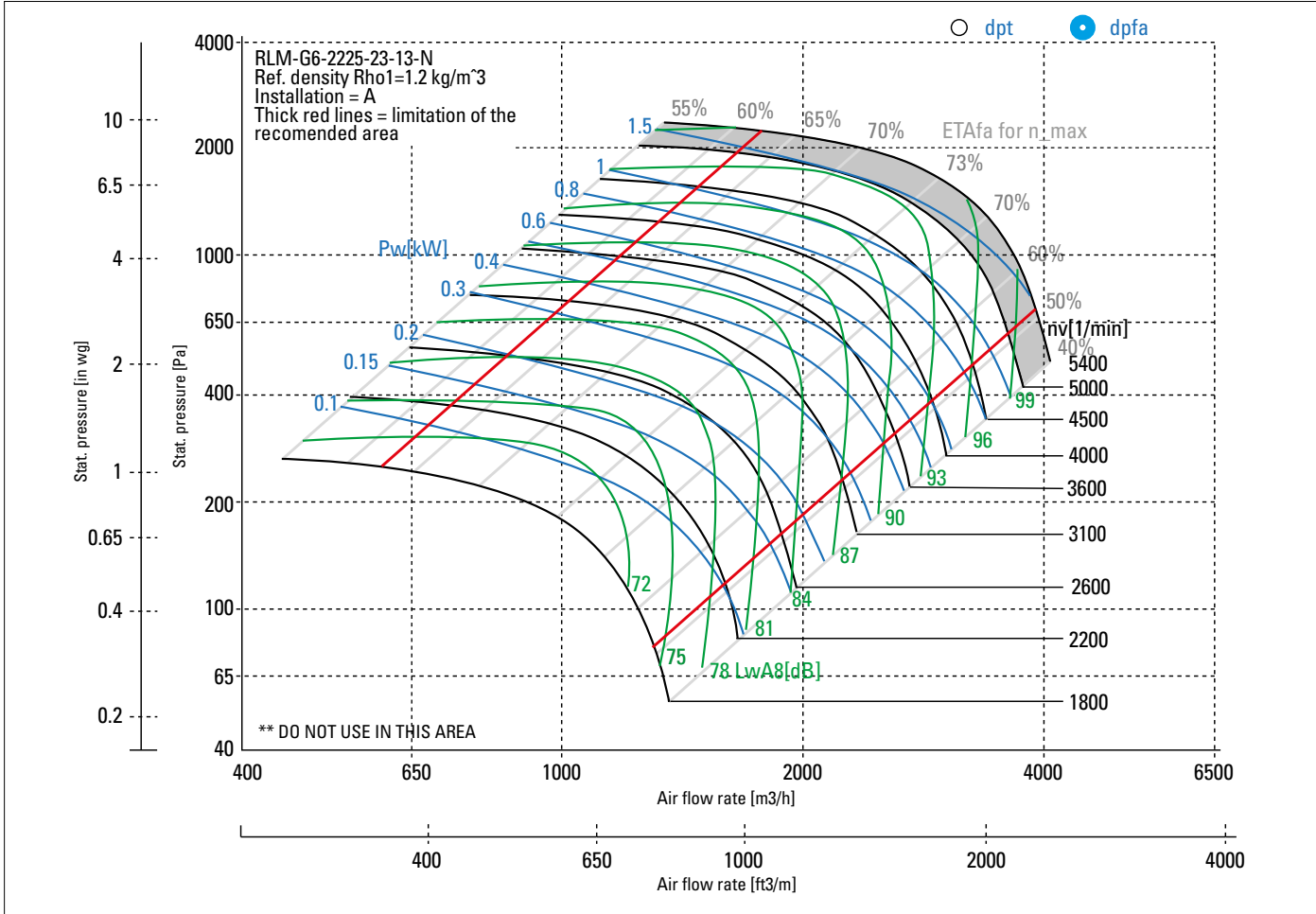


Technical Data according to ErP-REGULATION 327/2011/EU	
Overall efficiency (η _{se})	62,5 %
Measurement category	A
Efficiency category	static
Achieved efficiency grade (N _{ist})	71,9
Speed control	has to be installed
Year of manufacture	Is shown on the relevant rating plate for the product
Manufacturer	Nicotra Gebhardt GmbH, 74638 Waldenburg (Germany)
Type Model number	RLM G6-2225-23-11-N
Motor input power (P _{e,opt})	1,26 kW

Flow rate (q _{v,opt})	2470 m ³ /h
Pressure (p _{sf,opt})	1146 Pa
Speed (N _{opt})	4500 min-1
Specific ratio (p ₂ /p ₁)	1,011
Disposal/Recycling: Information on recycling and disposal is provided in the operating instruction.	
Information on maintenance: Information on installation, operation and maintenance is provided in the operating instructions.	
Additional components: The measurements do not use components which are not part of the fan.	



Description	Value	Dim.
Installation acc. DIN 24163 Part 1	A	
Reference density (Rho1)	1,2	kg/m ³
Medium temperature (t)	20	C
Fan weight (m) basic device without accessories	27	kg
Feed data		
Main's frequency (f _N)	50	Hz
Voltage (U _N)	400	V
Rated motor data		
Phases-Voltage-Frequency	3~400 S-50	V-Hz
Frame size-No of poles	90S / IE3-2	
Power (P _N)	1.5	kW
Speed (n _N)	2880	1/min
Current (I _N)	3.45	A
operational limits		
Max. fan speed (n _{vmax})	5000	1/min
Max. operating frequency (f _{max})	86	Hz
Temp. range for conveying medium (t _{min} ...t _{max})	-20...40	C



Technical Data according to ErP-REGULATION 327/2011/EU

Overall efficiency (η _{se})	63,5 %
Measurement category	A
Efficiency category	static
Achieved efficiency grade (N _{ist})	71,6
Speed control	has to be installed
Year of manufacture	Is shown on the relevant rating plate for the product
Manufacturer	Nicotra Gebhardt GmbH, 74638 Waldenburg (Germany)
Type Model number	RLM G6-2225-23-13-N
Motor input power (P _{e,opt})	1,70 kW

Flow rate (q _{v,opt})	2745 m ³ /h
Pressure (p _{sF,opt})	1414 Pa
Speed (N _{opt})	5000 min ⁻¹
Specific ratio (p ₂ /p ₁)	1,014
Disposal/Recycling: Information on recycling and disposal is provided in the operating instruction.	
Information on maintenance: Information on installation, operation and maintenance is provided in the operating instructions.	
Additional components: The measurements do not use components which are not part of the fan.	

Description

	Value	Dim.
Installation acc. DIN 24163 Part 1		A
Reference density (Rho1)	1,2	kg/m ³
Medium temperature (t)	20	C
Fan weight (m) basic device without accessories	21	kg

Feed data

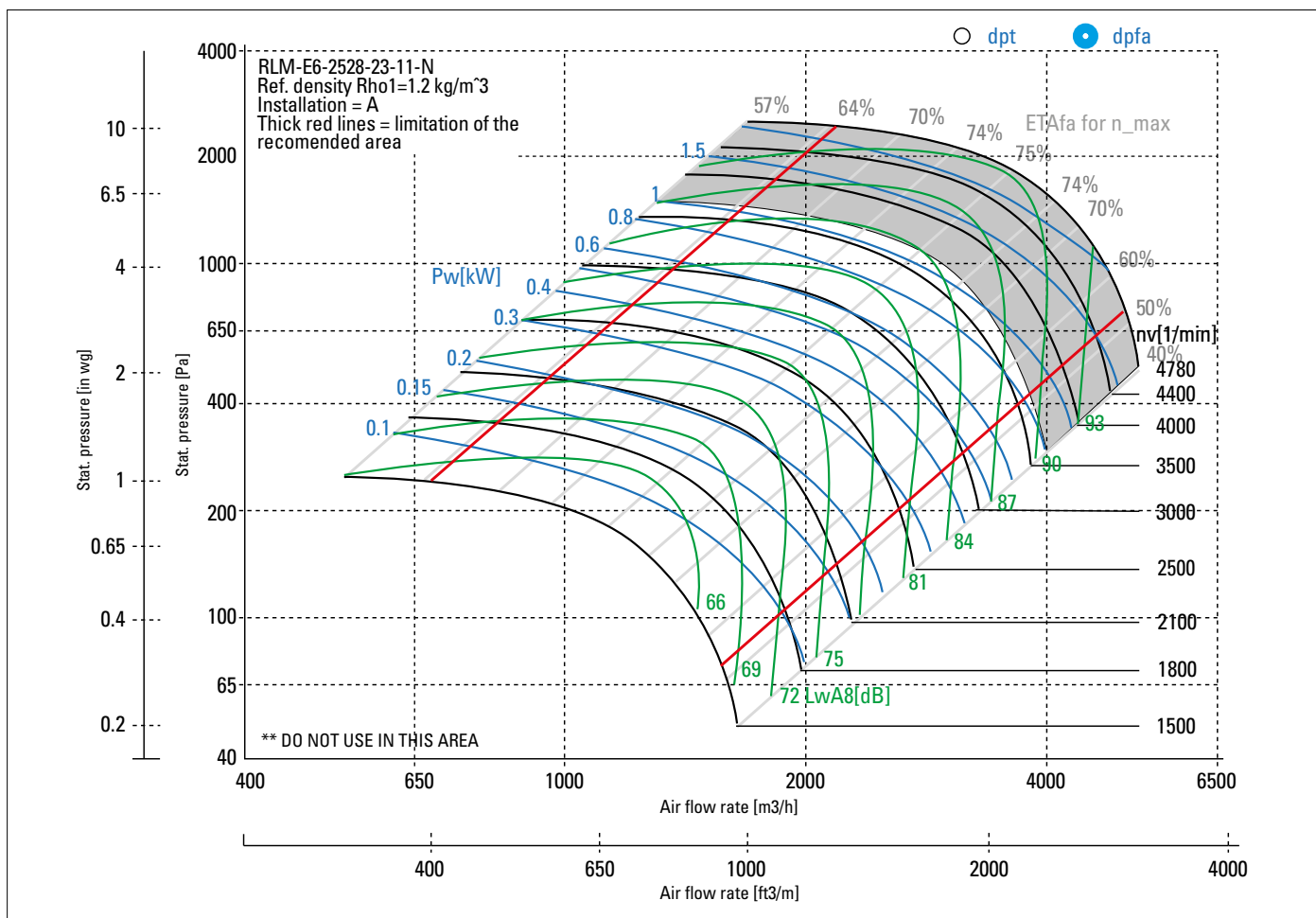
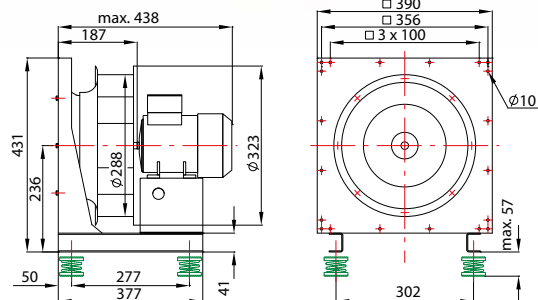
Main's frequency (f _N)	50	Hz
Voltage (U _N)	400	V

Rated motor data

Phases-Voltage-Frequency	3~400 S-50	V-Hz
Frame size-No of poles	80M / IE3-2	
Power (P _N)	1.1	kW
Speed (n _N)	2885	1/min
Current (I _N)	2,35	A

operational limits

Max. fan speed (n _{v_max})	3640	1/min
Max. operating frequency (f _{max})	63	Hz
Temp. range for conveying medium (t _{min} ...t _{max})	-20...40	C

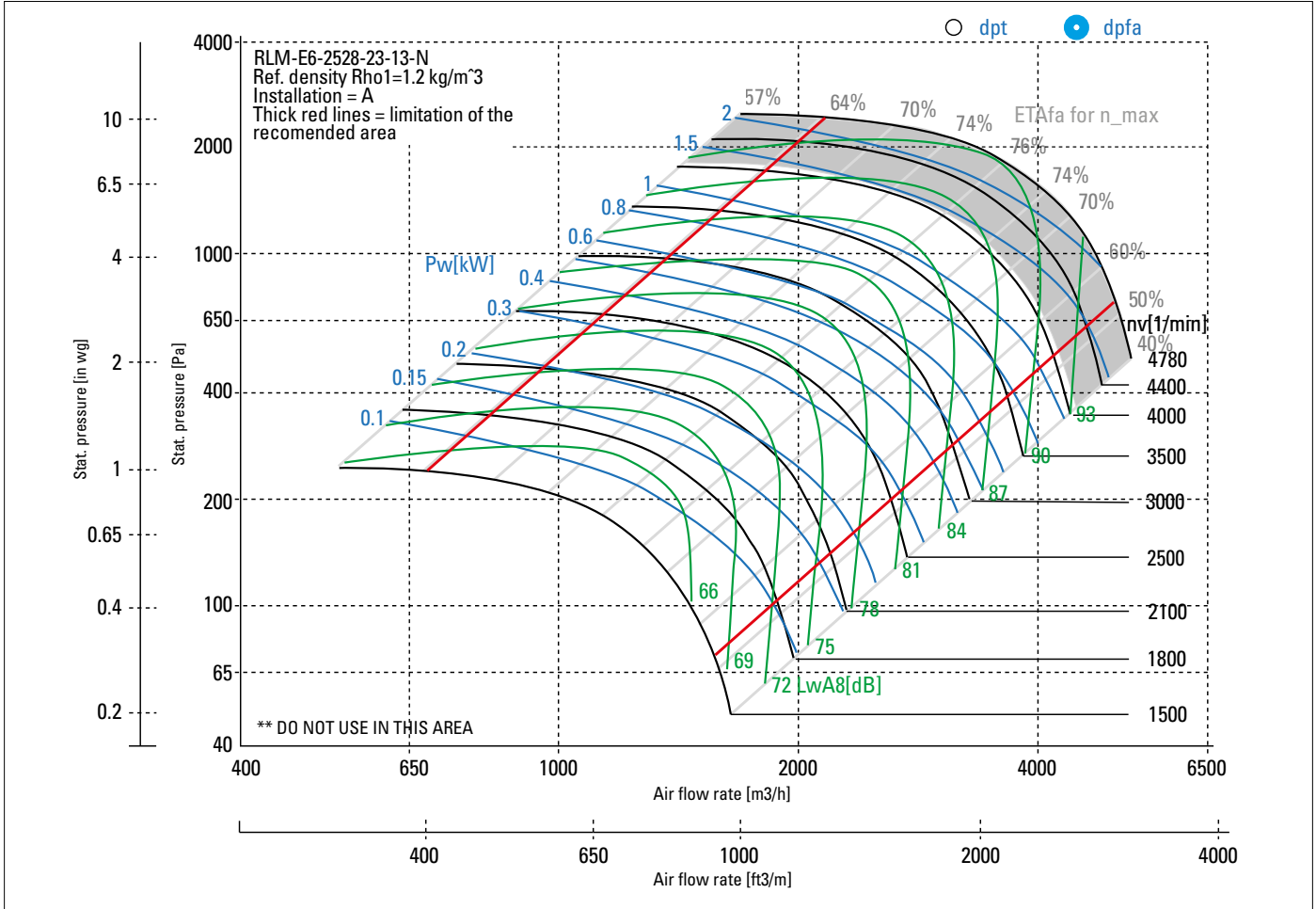
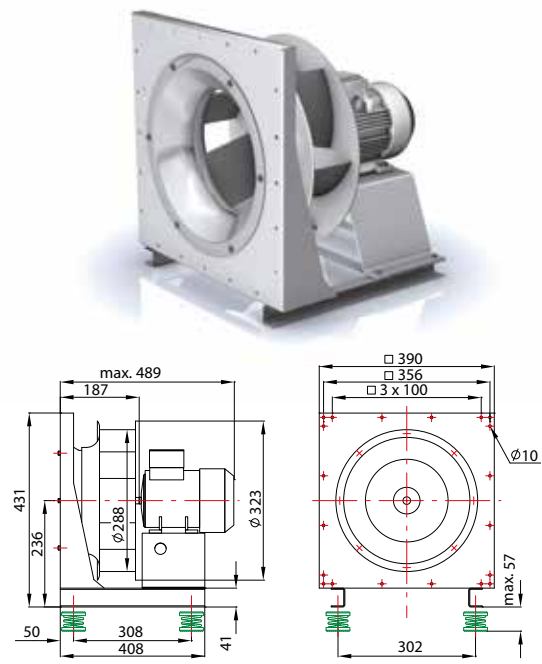


Technical Data according to ErP-REGULATION 327/2011/EU

Overall efficiency (η _{se})	64,2 %
Measurement category	A
Efficiency category	static
Achieved efficiency grade (N _{ist})	73,7
Speed control	has to be installed
Year of manufacture	Is shown on the relevant rating plate for the product
Manufacturer	Nicotra Gebhardt GmbH, 74638 Waldenburg (Germany)
Type Model number	RLM E6-2528-23-11-N
Motor input power (P _{e,opt})	1,26 kW

Flow rate (q _{v,opt})	2755 m ³ /h
Pressure (p _{sF,opt})	1062 Pa
Speed (N _{opt})	3640 min ⁻¹
Specific ratio (p ₂ /p ₁)	1,011
Disposal/Recycling: Information on recycling and disposal is provided in the operating instruction.	
Information on maintenance: Information on installation, operation and maintenance is provided in the operating instructions.	
Additional components: The measurements do not use components which are not part of the fan.	

Description	Value	Dim.
Installation acc. DIN 24163 Part 1		A
Reference density (Rho1)	1,2	kg/m ³
Medium temperature (t)	20	C
Fan weight (m) basic device without accessories	26	kg
Feed data		
Main's frequency (f _N)	50	Hz
Voltage (U _N)	400	V
Rated motor data		
Phases-Voltage-Frequency	3~400 S-50	V-Hz
Frame size-No of poles	90S / IE3-2	
Power (P _N)	1.5	kW
Speed (n _N)	2880	1/min
Current (I _N)	3,45	A
operational limits		
Max. fan speed (n _{v_max})	4040	1/min
Max. operating frequency (f _{max})	70	Hz
Temp. range for conveying medium (t _{min} ...t _{max})	-20...40	C



Technical Data according to ErP-REGULATION 327/2011/EU		
Overall efficiency (η _{se})	65,3 %	Flow rate (q _{v,opt})
Measurement category	A	3057 m3/h
Efficiency category	static	Pressure (p _{sF,opt})
Achieved efficiency grade (N _{ist})	73,4	1308 Pa
Speed control	has to be installed	Speed (N _{opt})
Year of manufacture	Is shown on the relevant rating plate for the product	4040 min-1
Manufacturer	Nicotra Gebhardt GmbH, 74638 Waldenburg (Germany)	Specific ratio (p ₂ /p ₁)
Type Model number	RLM E6-2528-23-13-N	1,013
Motor input power (P _{e,opt})	1,70 kW	Disposal/Recycling: Information on recycling and disposal is provided in the operating instruction.
		Information on maintenance: Information on installation, operation and maintenance is provided in the operating instructions.
		Additional components: The measurements do not use components which are not part of the fan.

Description

	Value	Dim.
Installation acc. DIN 24163 Part 1		A
Reference density (Rho1)	1,2	kg/m ³
Medium temperature (t)	20	C
Fan weight (m) basic device without accessories	34	kg

Feed data

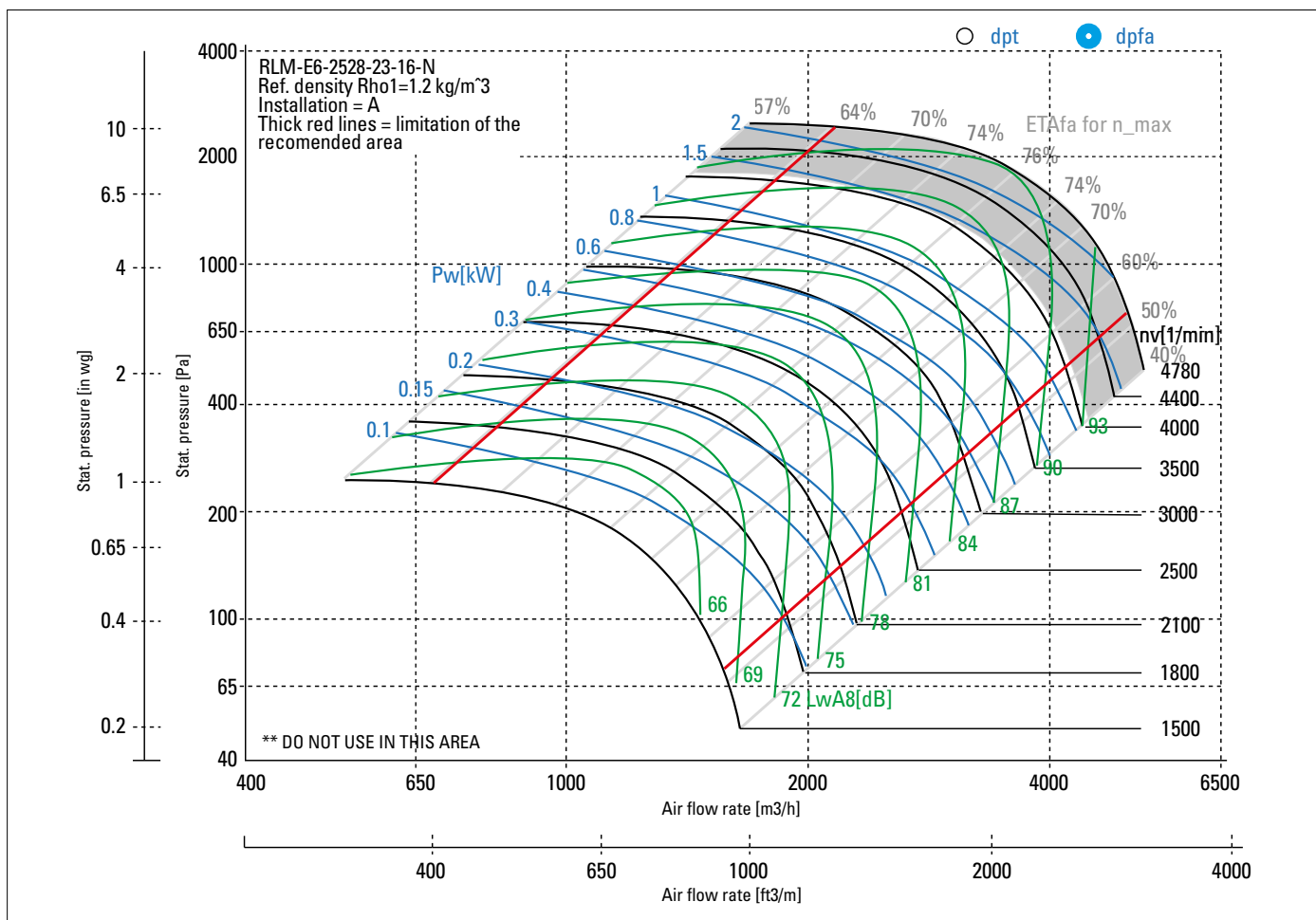
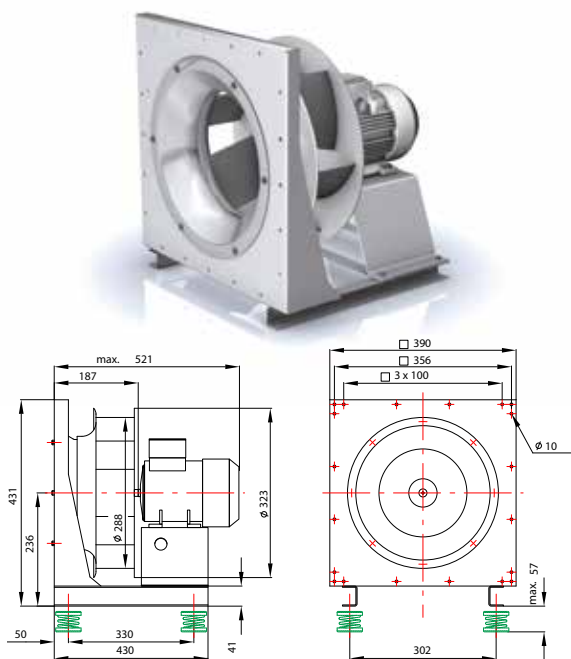
Main's frequency (f _N)	50	Hz
Voltage (U _N)	400	V

Rated motor data

Phases-Voltage-Frequency	3~400 S-50	V-Hz
Frame size-No of poles	100L / IE3-2	
Power (P _N)	3	kW
Speed (n _N)	2910	1/min
Current (I _N)	6,1	A

operational limits

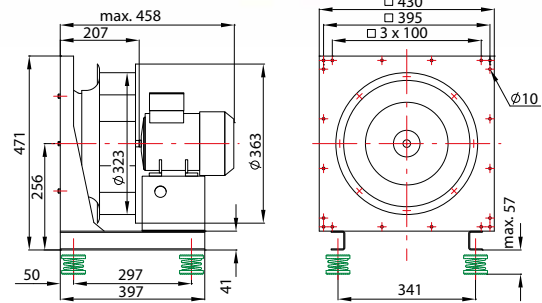
Max. fan speed (n _{max})	4780	1/min
Max. operating frequency (f _{max})	82	Hz
Temp. range for conveying medium (t _{min} ...t _{max})	-20...40	C



Technical Data according to ErP-REGULATION 327/2011/EU

Overall efficiency (η _{se})	67,4 %
Measurement category	A
Efficiency category	static
Achieved efficiency grade (N _{ist})	73,4
Speed control	has to be installed
Year of manufacture	Is shown on the relevant rating plate for the product
Manufacturer	Nicotra Gebhardt GmbH, 74638 Waldenburg (Germany)
Type Model number	RLM E6-2528-23-16-N
Motor input power (P _{e,opt})	2,73 kW

Flow rate (q _{v,opt})	3618 m ³ /h
Pressure (p _{sF,opt})	1831 Pa
Speed (N _{opt})	4780 min-1
Specific ratio (p ₂ /p ₁)	1,018
Disposal/Recycling: Information on recycling and disposal is provided in the operating instruction.	
Information on maintenance: Information on installation, operation and maintenance is provided in the operating instructions.	
Additional components: The measurements do not use components which are not part of the fan.	



Description

	Value	Dim.
Installation acc. DIN 24163 Part 1		A
Reference density (Rho1)	1,2	kg/m ³
Medium temperature (t)	20	C
Fan weight (m) basic device without accessories	25,7	kg

Feed data

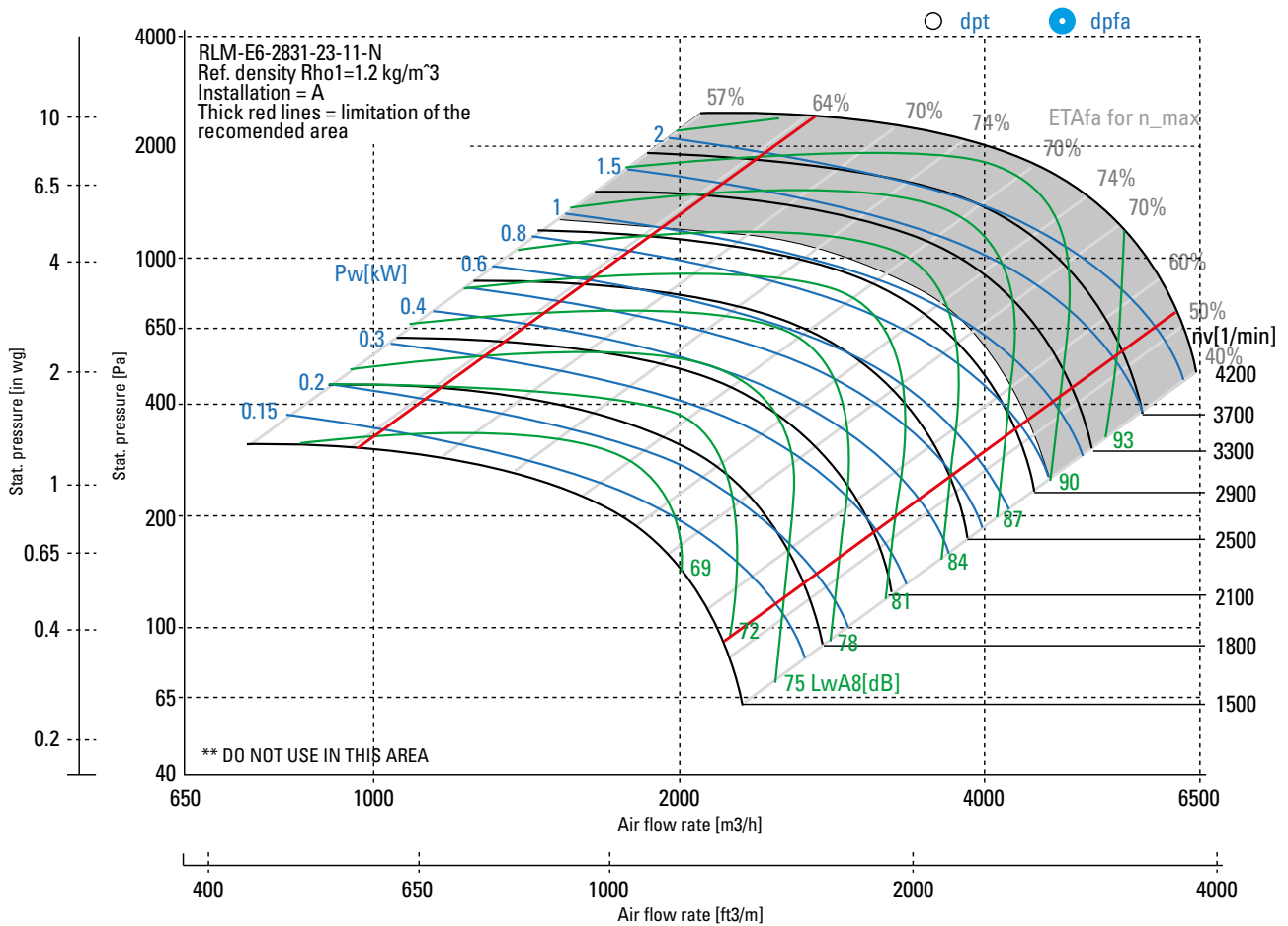
Main's frequency (f _N)	50	Hz
Voltage (U _N)	400	V

Rated motor data

Phases-Voltage-Frequency	3~400 S-50	V-Hz
Frame size-No of poles	80M / IE3-2	
Power (P _N)	1.1	kW
Speed (n _N)	2885	1/min
Current (I _N)	2,35	A

operational limits

Max. fan speed (n _{max})	2990	1/min
Max. operating frequency (f _{max})	51	Hz
Temp. range for conveying medium (t _{min} ...t _{max})	-20...40	C

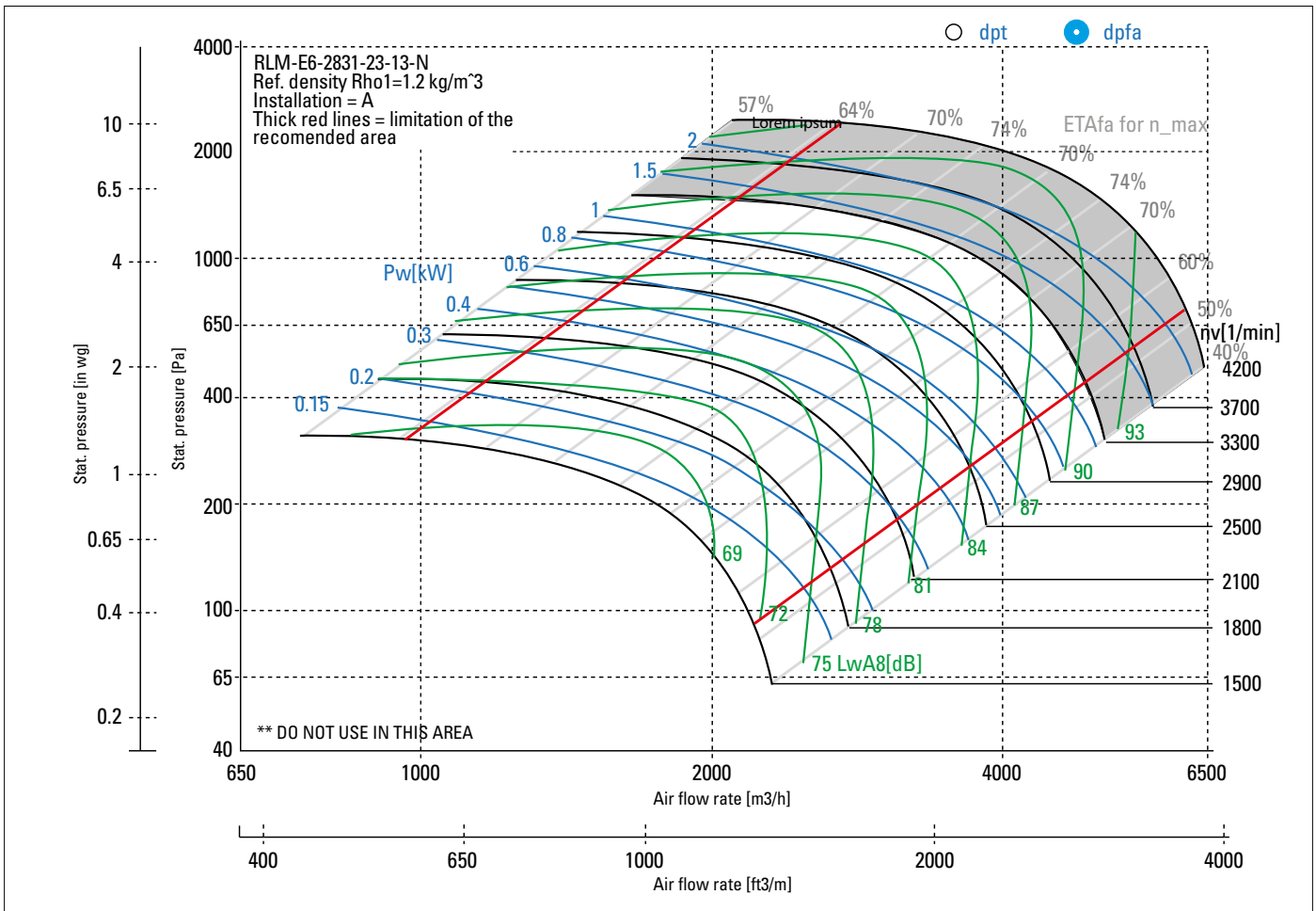
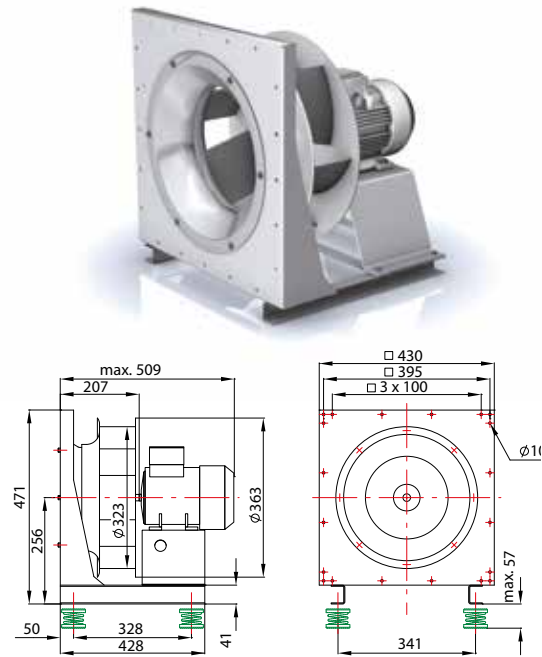


Technical Data according to ErP-REGULATION 327/2011/EU

Overall efficiency (η _{se})	64,3 %
Measurement category	A
Efficiency category	static
Achieved efficiency grade (N _{ist})	73,8
Speed control	has to be installed
Year of manufacture	Is shown on the relevant rating plate for the product
Manufacturer	Nicotra Gebhardt GmbH, 74638 Waldenburg (Germany)
Type Model number	RLM E6-2831-23-11-N
Motor input power (P _{e,opt})	1,24 kW

Flow rate (q _{v,opt})	3192 m ³ /h
Pressure (p _{s,opt})	901 Pa
Speed (N _{opt})	2990 min ⁻¹
Specific ratio (p ₂ /p ₁)	1,009
Disposal/Recycling:	Information on recycling and disposal is provided in the operating instruction.
Information on maintenance:	Information on installation, operation and maintenance is provided in the operating instructions.
Additional components:	The measurements do not use components which are not part of the fan.

Description	Value	Dim.
Installation acc. DIN 24163 Part 1		A
Reference density (Rho1)	1,2	kg/m ³
Medium temperature (t)	20	C
Fan weight (m) basic device without accessories	31	kg
Feed data		
Main's frequency (f _N)	50	Hz
Voltage (U _N)	400	V
Rated motor data		
Phases-Voltage-Frequency	3~400 S-50	V-Hz
Frame size-No of poles	90S / IE3-2	
Power (P _N)	1.5	kW
Speed (n _N)	2880	1/min
Current (I _N)	3.45	A
operational limits		
Max. fan speed (n _{max})	3310	1/min
Max. operating frequency (f _{max})	57	Hz
Temp. range for conveying medium (t _{min} ...t _{max})	-20...40	C



Technical Data according to ErP-REGULATION 327/2011/EU

Overall efficiency (η _{se})	65,4 %
Measurement category	A
Efficiency category	static
Achieved efficiency grade (N _{ist})	73,6
Speed control	has to be installed
Year of manufacture	Is shown on the relevant rating plate for the product
Manufacturer	Nicotra Gebhardt GmbH, 74638 Waldenburg (Germany)
Type Model number	RLM E6-2831-23-13-N
Motor input power (P _{e,opt})	1,66 kW

Flow rate (q _{v,opt})	3534 m ³ /h
Pressure (p _{sF,opt})	1104 Pa
Speed (N _{opt})	3310 min ⁻¹
Specific ratio (p ₂ /p ₁)	1,011
Disposal/Recycling:	Information on recycling and disposal is provided in the operating instruction.
Information on maintenance:	Information on installation, operation and maintenance is provided in the operating instructions.
Additional components:	The measurements do not use components which are not part of the fan.

Description

	Value	Dim.
Installation acc. DIN 24163 Part 1		A
Reference density (Rho1)	1,2	kg/m ³
Medium temperature (t)	20	C
Fan weight (m) basic device without accessories	32	kg

Feed data

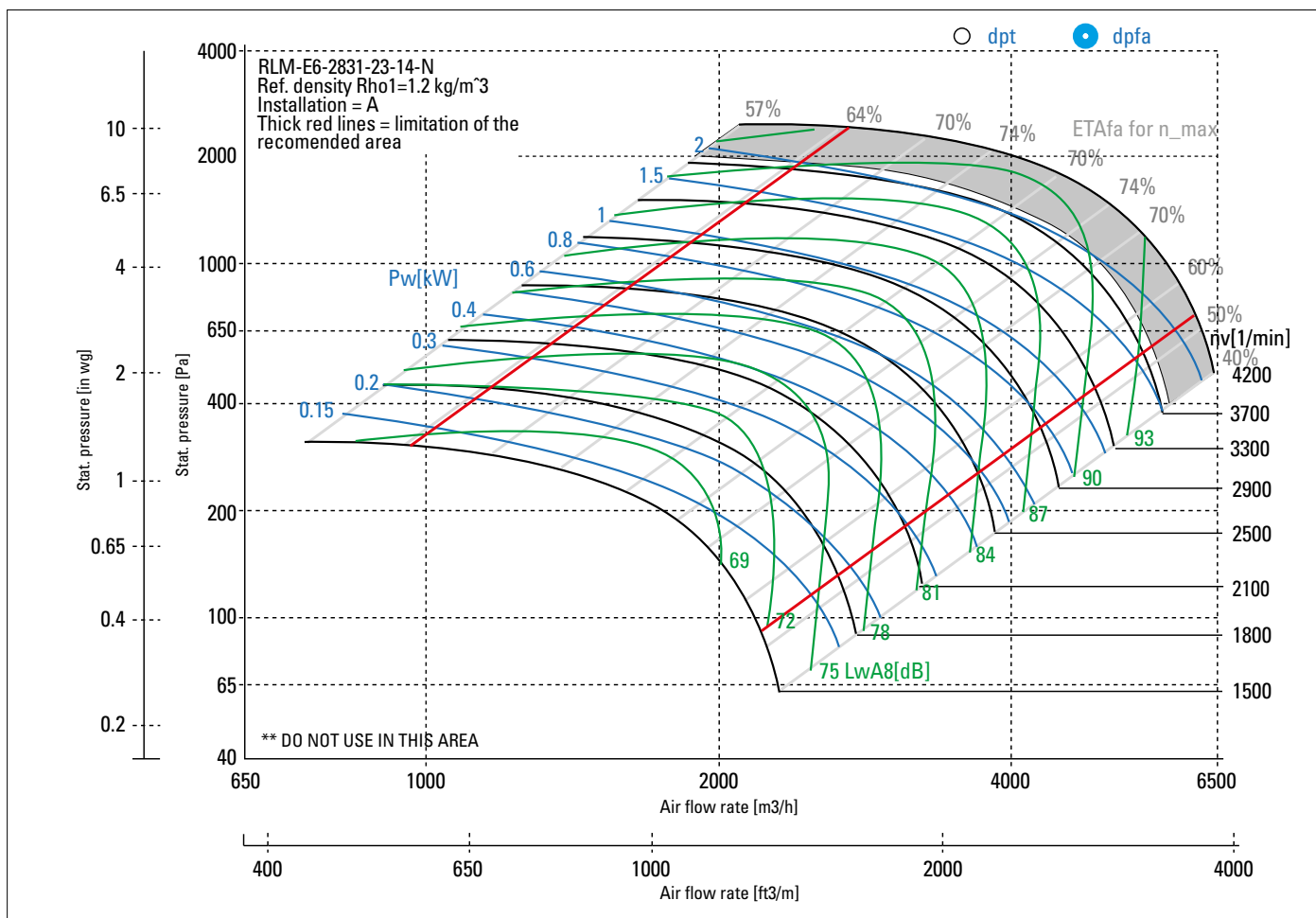
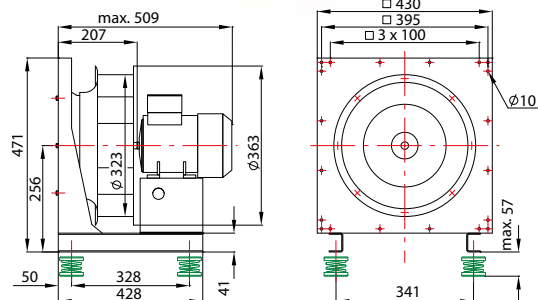
Main's frequency (f _N)	50	Hz
Voltage (U _N)	400	V

Rated motor data

Phases-Voltage-Frequency	3~400 S-50	V-Hz
Frame size-No of poles	90L / IE3-2	
Power (P _N)	2.2	kW
Speed (n _N)	2875	1/min
Current (I _N)	4,7	A

operational limits

Max. fan speed (n _{max})	3770	1/min
Max. operating frequency (f _{max})	65	Hz
Temp. range for conveying medium (t _{min} ...t _{max})	-20...40	C



Technical Data according to ErP-REGULATION 327/2011/EU

Overall efficiency (η _{se})	65,7 %
Measurement category	A
Efficiency category	static
Achieved efficiency grade (N _{ist})	72,1
Speed control	has to be installed
Year of manufacture	Is shown on the relevant rating plate for the product
Manufacturer	Nicotra Gebhardt GmbH, 74638 Waldenburg (Germany)
Type Model number	RLM E6-2831-23-14-N
Motor input power (P _{e,opt})	2,44 kW

Flow rate (q _{v,opt})	4025 m ³ /h
Pressure (p _{s,opt})	1433 Pa
Speed (N _{opt})	3770 min ⁻¹
Specific ratio (p ₂ /p ₁)	1,014
Disposal/Recycling:	Information on recycling and disposal is provided in the operating instruction.
Information on maintenance:	Information on installation, operation and maintenance is provided in the operating instructions.
Additional components:	The measurements do not use components which are not part of the fan.

Description

	Value	Dim.
Installation acc. DIN 24163 Part 1		A
Reference density (Rho1)	1,2	kg/m ³
Medium temperature (t)	20	C
Fan weight (m) basic device without accessories	36	kg

Feed data

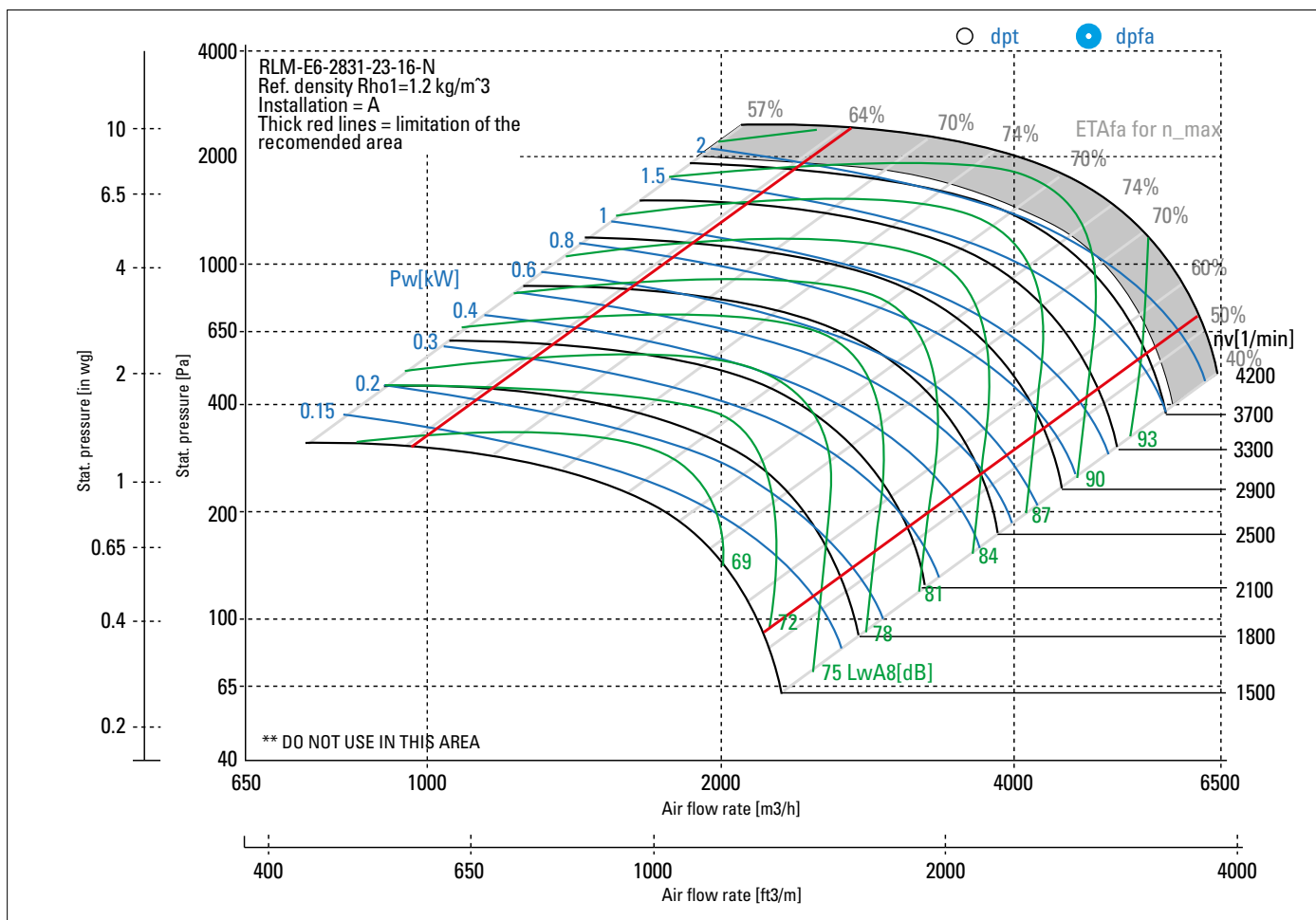
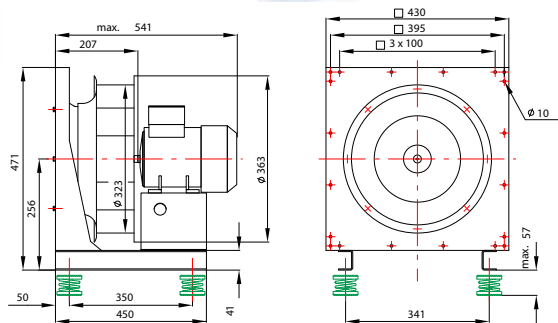
Main's frequency (f _N)	50	Hz
Voltage (U _N)	400	V

Rated motor data

Phases-Voltage-Frequency	3~400 S-50	V-Hz
Frame size-No of poles	100L / IE3-2	
Power (P _N)	3	kW
Speed (n _N)	2910	1/min
Current (I _N)	6,1	A

operational limits

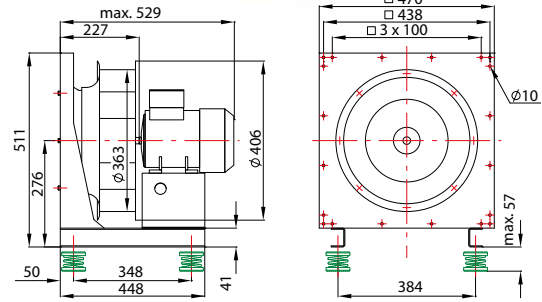
Max. fan speed (n _{max})	4200	1/min
Max. operating frequency (f _{max})	72	Hz
Temp. range for conveying medium (t _{min} ...t _{max})	-20...40	C



Technical Data according to ErP-REGULATION 327/2011/EU

Overall efficiency (η _{se})	66,9 %
Measurement category	A
Efficiency category	static
Achieved efficiency grade (N _{ist})	72,0
Speed control	has to be installed
Year of manufacture	Is shown on the relevant rating plate for the product
Manufacturer	Nicotra Gebhardt GmbH, 74638 Waldenburg (Germany)
Type Model number	RLM E6-2831-23-16-N
Motor input power (P _{e,opt})	3,31 kW

Flow rate (q _{v,opt})	4484 m ³ /h
Pressure (p _{sf,opt})	1778 Pa
Speed (N _{opt})	4200 min-1
Specific ratio (p ₂ /p ₁)	1,018
Disposal/Recycling:	Information on recycling and disposal is provided in the operating instruction.
Information on maintenance:	Information on installation, operation and maintenance is provided in the operating instructions.
Additional components:	The measurements do not use components which are not part of the fan.



Description

	Value	Dim.
Installation acc. DIN 24163 Part 1		A
Reference density (Rho1)	1,2	kg/m ³
Medium temperature (t)	20	C
Fan weight (m) basic device without accessories	32	kg

Feed data

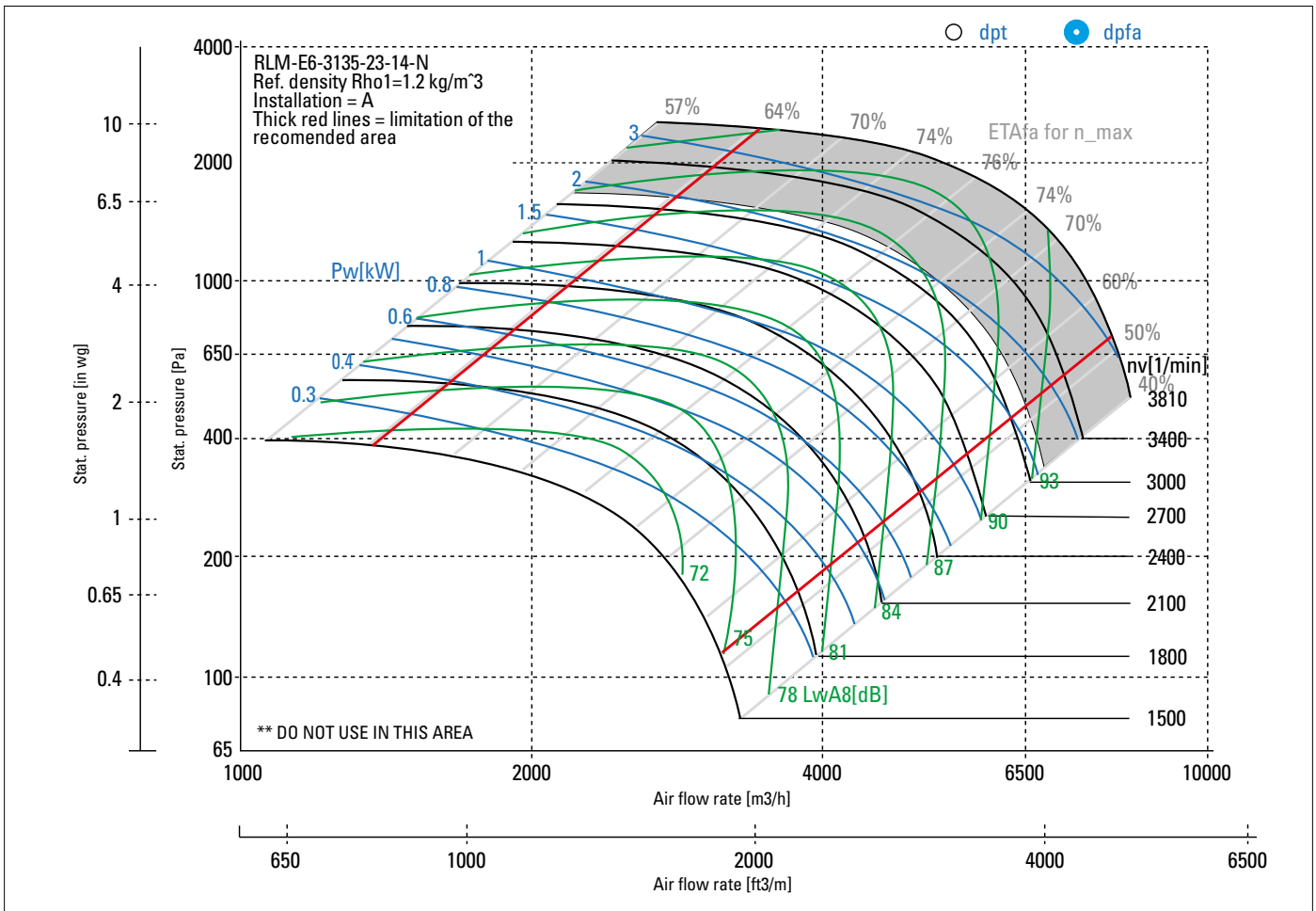
Main's frequency (f _N)	50	Hz
Voltage (U _N)	400	V

Rated motor data

Phases-Voltage-Frequency	3~400 S-50	V-Hz
Frame size-No of poles	90L / IE3-2	
Power (P _N)	2.2	kW
Speed (n _N)	2875	1/min
Current (I _N)	4,7	A

operational limits

Max. fan speed (n _{v_max})	3090	1/min
Max. operating frequency (f _{max})	53	Hz
Temp. range for conveying medium (t _{min} ...t _{max})	-20...40	C

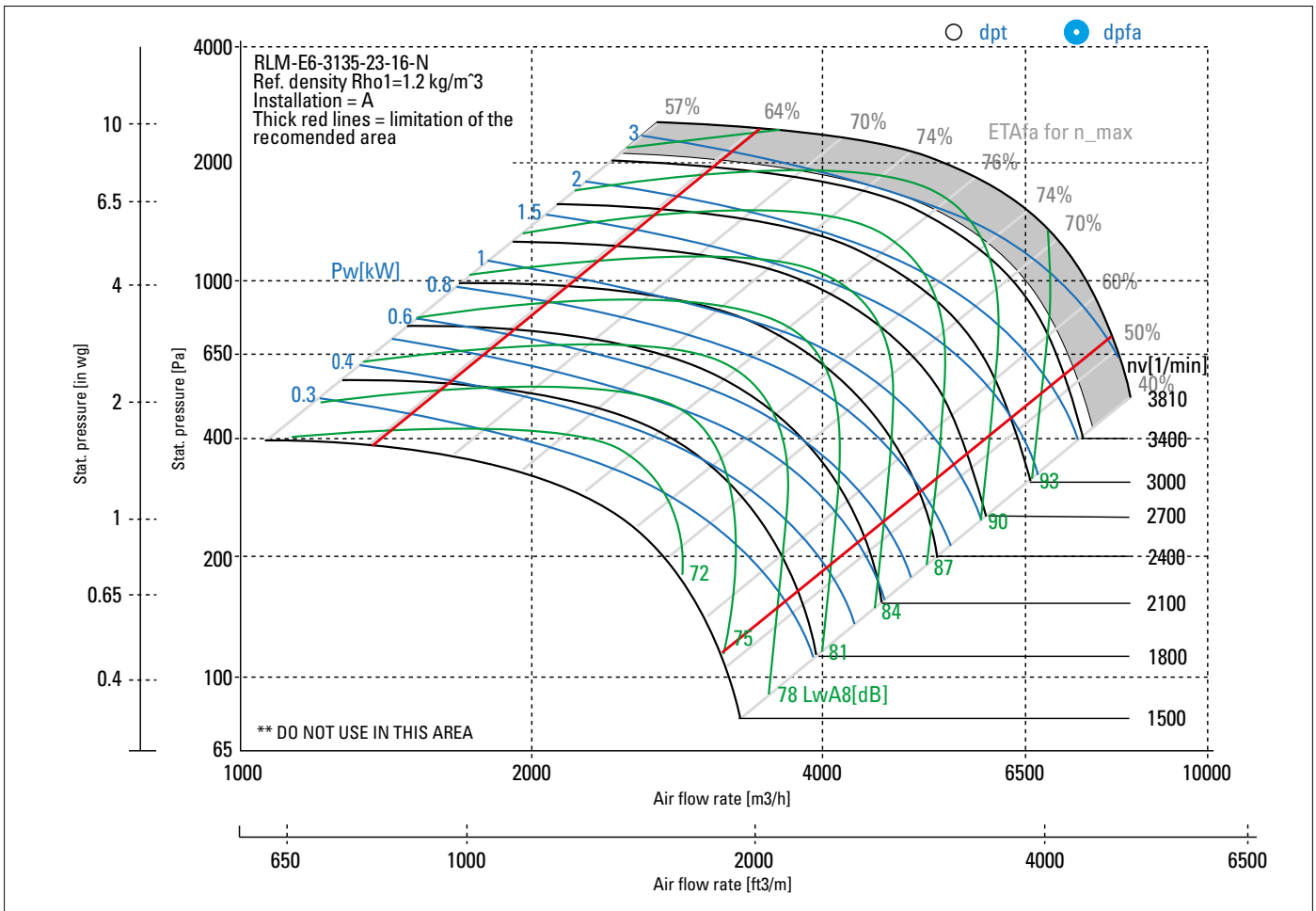
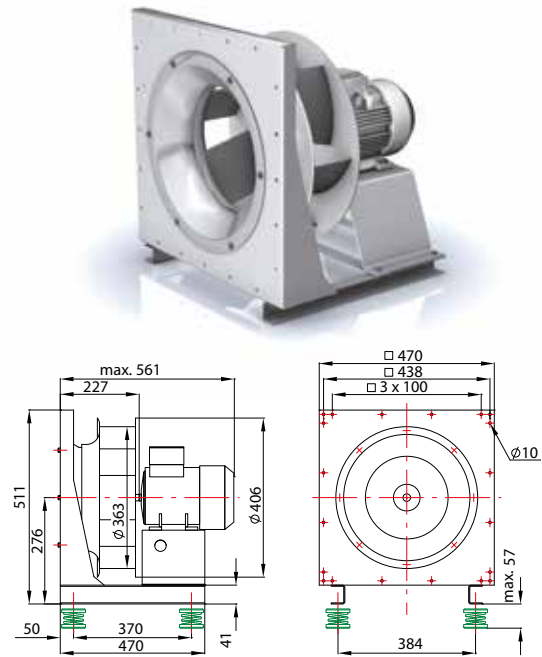


Technical Data according to ErP-REGULATION 327/2011/EU

Overall efficiency (η _{se})	65,8 %
Measurement category	A
Efficiency category	static
Achieved efficiency grade (N _{ist})	72,3
Speed control	has to be installed
Year of manufacture	Is shown on the relevant rating plate for the product
Manufacturer	Nicotra Gebhardt GmbH, 74638 Waldenburg (Germany)
Type Model number	RLM E6-3135-23-14-N
Motor input power (P _{e,opt})	2,40 kW

Flow rate (q _{v,opt})	4683 m ³ /h
Pressure (p _{sf,opt})	1216 Pa
Speed (N _{opt})	3090 min ⁻¹
Specific ratio (p ₂ /p ₁)	1,012
Disposal/Recycling: Information on recycling and disposal is provided in the operating instruction.	
Information on maintenance: Information on installation, operation and maintenance is provided in the operating instructions.	
Additional components: The measurements do not use components which are not part of the fan.	

Description	Value	Dim.
Installation acc. DIN 24163 Part 1		A
Reference density (Rho1)	1,2	kg/m ³
Medium temperature (t)	20	C
Fan weight (m) basic device without accessories	35	kg
Feed data		
Main's frequency (f _N)	50	Hz
Voltage (U _N)	400	V
Rated motor data		
Phases-Voltage-Frequency	3~400 S-50	V-Hz
Frame size-No of poles	100L / IE3-2	
Power (P _N)	3	kW
Speed (n _N)	2910	1/min
Current (I _N)	6,1	A
operational limits		
Max. fan speed (n _{v_max})	3460	1/min
Max. operating frequency (f _{max})	59	Hz
Temp. range for conveying medium (t _{min} ...t _{max})	-20...40	C



Technical Data according to ErP-REGULATION 327/2011/EU

Overall efficiency (η _{se})	66,9 %
Measurement category	A
Efficiency category	static
Achieved efficiency grade (N _{ist})	72,0
Speed control	has to be installed
Year of manufacture	Is shown on the relevant rating plate for the product
Manufacturer	Nicotra Gebhardt GmbH, 74638 Waldenburg (Germany)
Type Model number	RLM-E6-3135-23-16-N
Motor input power (P _{e,opt})	3,32 kW

Flow rate (q _{v,opt})	5243 m ³ /h
Pressure (p _{sF,opt})	1524 Pa
Speed (N _{opt})	3460 min ⁻¹
Specific ratio (p ₂ /p ₁)	1,015
Disposal/Recycling: Information on recycling and disposal is provided in the operating instruction.	
Information on maintenance: Information on installation, operation and maintenance is provided in the operating instructions.	
Additional components: The measurements do not use components which are not part of the fan.	

Description

	Value	Dim.
Installation acc. DIN 24163 Part 1		A
Reference density (Rho1)	1,2	kg/m ³
Medium temperature (t)	20	C
Fan weight (m) basic device without accessories	42	kg

Feed data

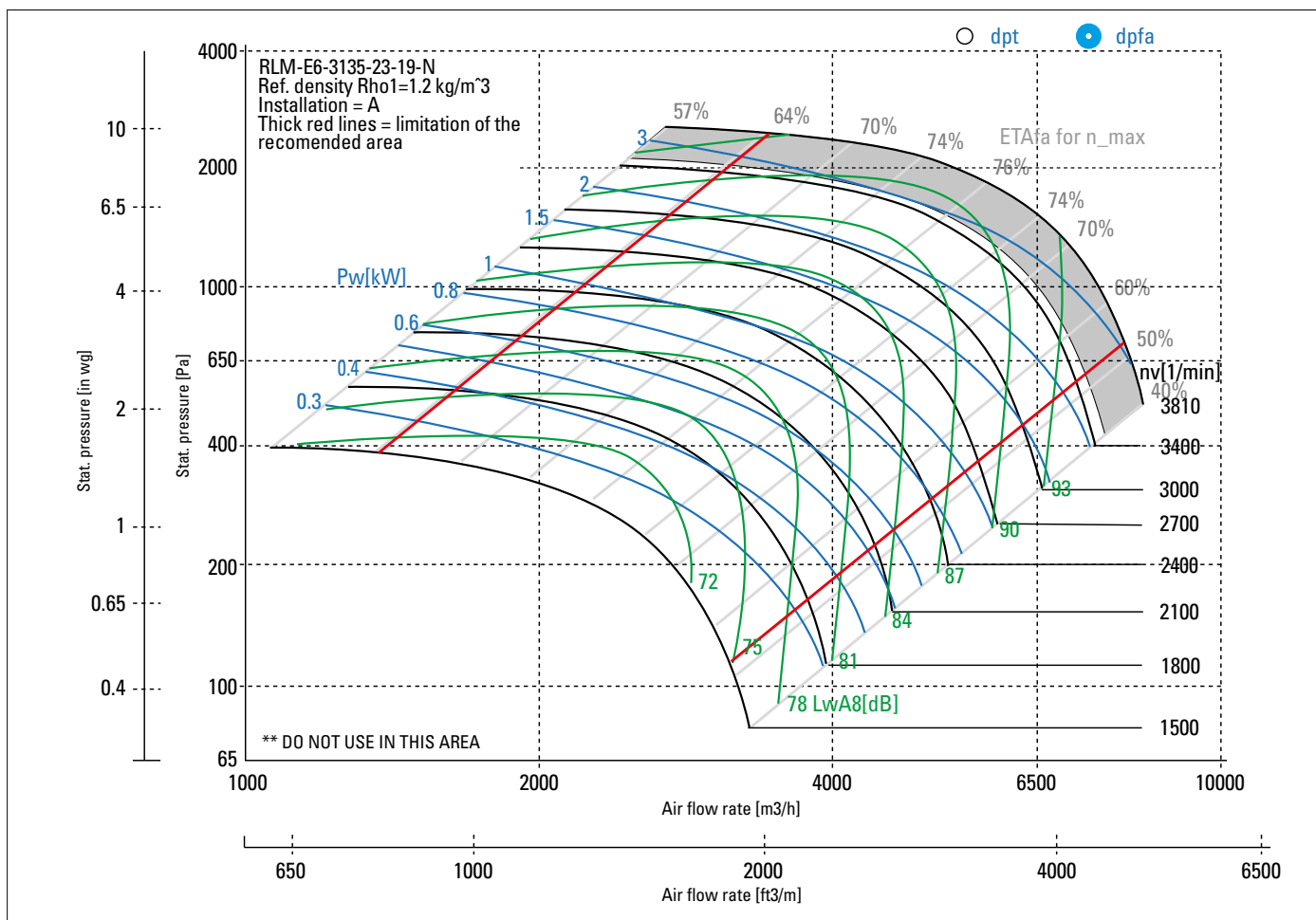
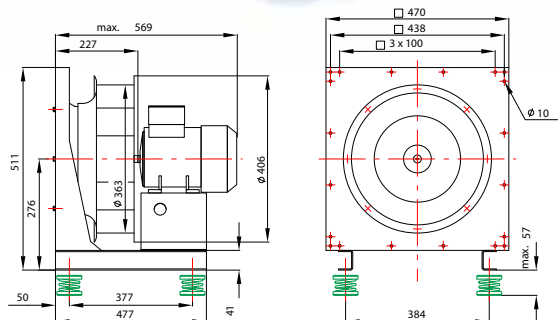
Main's frequency (f _N)	50	Hz
Voltage (U _N)	400	V

Rated motor data

Phases-Voltage-Frequency	3~400 S-50	V-Hz
Frame size-No of poles	112M / IE3-2	
Power (P _N)	4	kW
Speed (n _N)	2900	1/min
Current (I _N)	7,85	A

operational limits

Max. fan speed (n _{max})	3810	1/min
Max. operating frequency (f _{max})	65	Hz
Temp. range for conveying medium (t _{min} ...t _{max})	-20...40	C



Technical Data according to ErP-REGULATION 327/2011/EU

Overall efficiency (η _{se})	67,4 %
Measurement category	A
Efficiency category	static
Achieved efficiency grade (N _{ist})	71,1
Speed control	has to be installed
Year of manufacture	Is shown on the relevant rating plate for the product
Manufacturer	Nicotra Gebhardt GmbH, 74638 Waldenburg (Germany)
Type Model number	RLM-E6-3135-23-19-N
Motor input power (P _{e,opt})	4,40 kW

Flow rate (q _{v,opt})	5774 m ³ /h
Pressure (p _{sF,opt})	1848 Pa
Speed (N _{opt})	3810 min ⁻¹
Specific ratio (p ₂ /p ₁)	1,018
Disposal/Recycling: Information on recycling and disposal is provided in the operating instruction.	
Information on maintenance: Information on installation, operation and maintenance is provided in the operating instructions.	
Additional components: The measurements do not use components which are not part of the fan.	

Description

	Value	Dim.
Installation acc. DIN 24163 Part 1		A
Reference density (Rho1)	1,2	kg/m ³
Medium temperature (t)	20	C
Fan weight (m) basic device without accessories	48	kg

Feed data

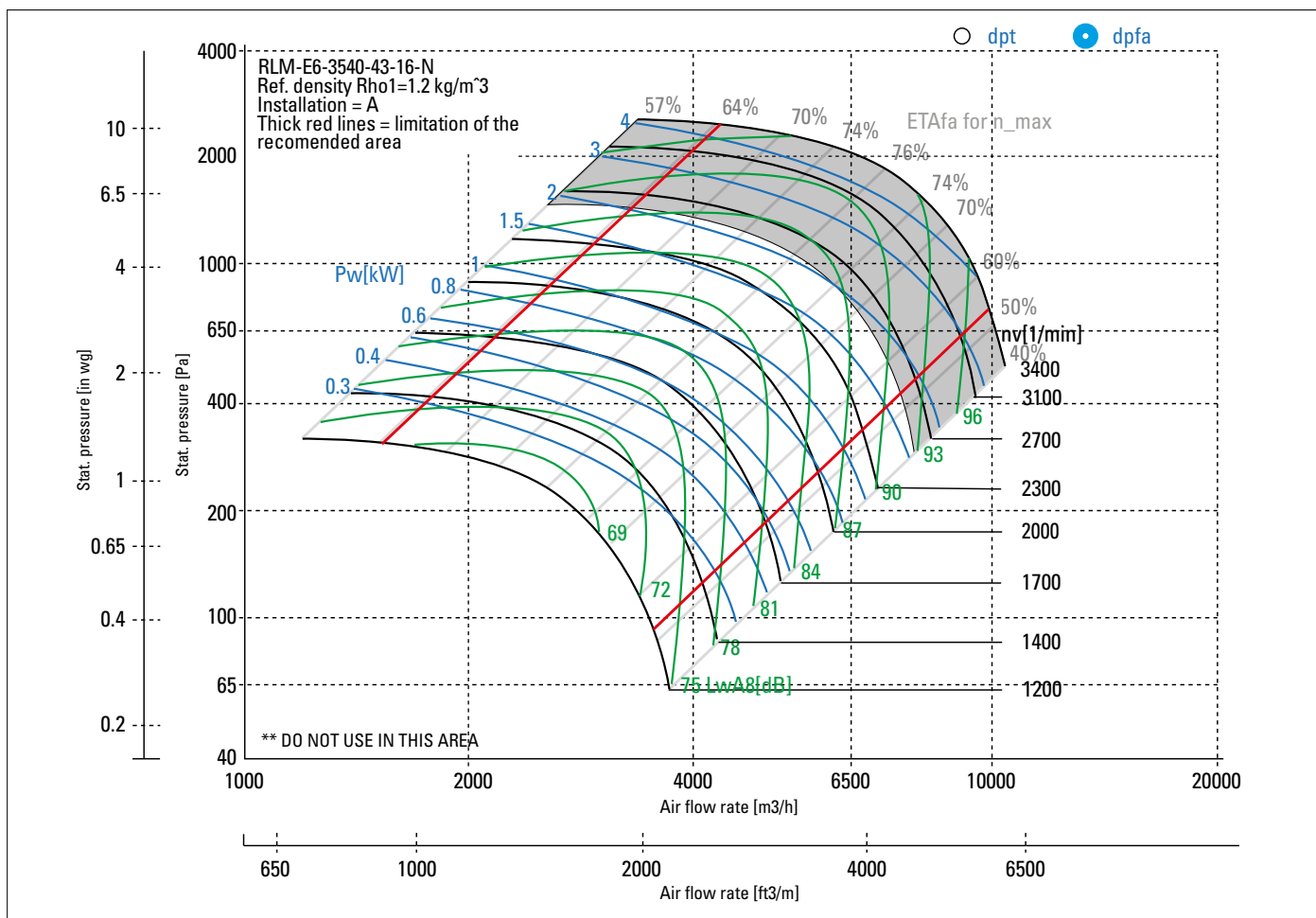
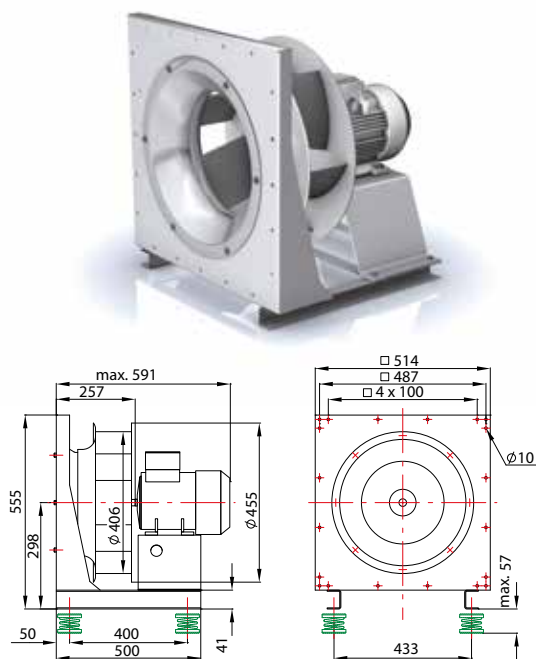
Main's frequency (f _N)	50	Hz
Voltage (U _N)	400	V

Rated motor data

Phases-Voltage-Frequency	3~400 S-50	V-Hz
Frame size-No of poles	100L / IE3-4	
Power (P _N)	2.2	kW
Speed (n _N)	1450	1/min
Current (I _N)	4,9	A

operational limits

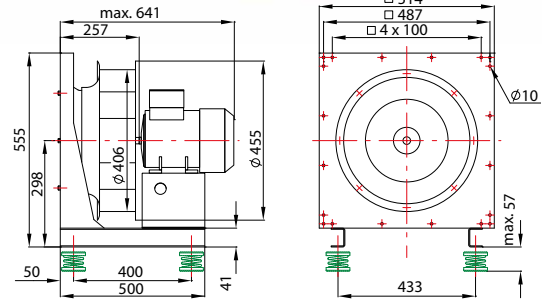
Max. fan speed (n _{max})	2560	1/min
Max. operating frequency (f _{max})	88	Hz
Temp. range for conveying medium (t _{min} ...t _{max})	-20...40	C



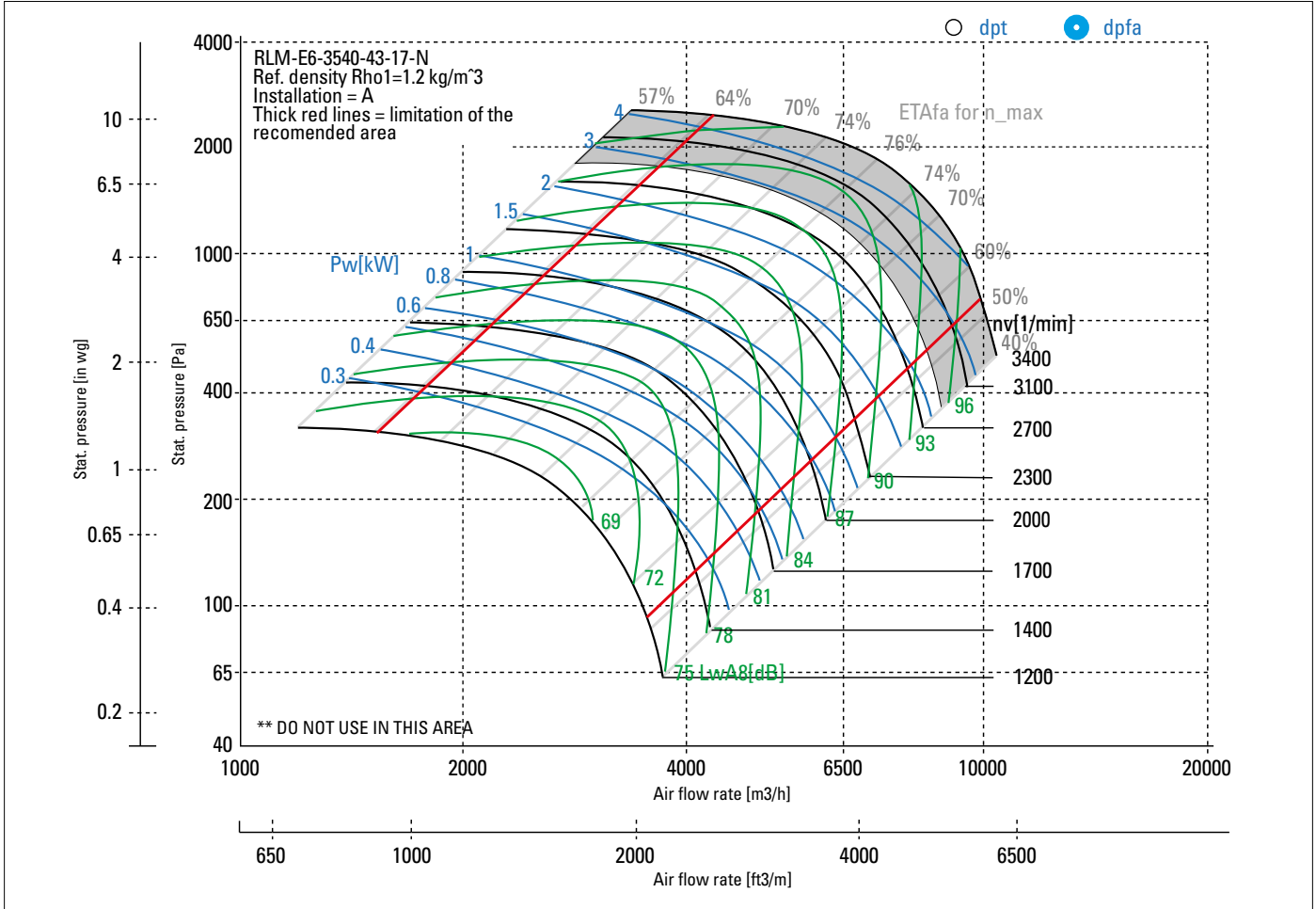
Technical Data according to ErP-REGULATION 327/2011/EU

Overall efficiency (η _{se})	66,5 %
Measurement category	A
Efficiency category	static
Achieved efficiency grade (N _{ist})	73,1
Speed control	has to be installed
Year of manufacture	Is shown on the relevant rating plate for the product
Manufacturer	Nicotra Gebhardt GmbH, 74638 Waldenburg (Germany)
Type Model number	RLM E6-3540-43-16-N
Motor input power (P _{e,opt})	2,37 kW

Flow rate (q _{v,opt})	5428 m ³ /h
Pressure (p _{f,opt})	1044 Pa
Speed (N _{opt})	2560 min ⁻¹
Specific ratio (p ₂ /p ₁)	1,010
Disposal/Recycling: Information on recycling and disposal is provided in the operating instruction.	
Information on maintenance: Information on installation, operation and maintenance is provided in the operating instructions.	
Additional components: The measurements do not use components which are not part of the fan.	



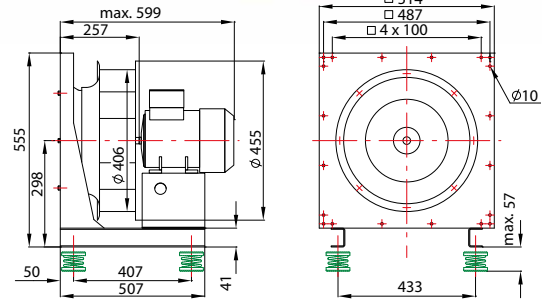
Description	Value	Dim.
Installation acc. DIN 24163 Part 1		A
Reference density (Rho1)	1,2	kg/m ³
Medium temperature (t)	20	C
Fan weight (m) basic device without accessories	50	kg
Feed data		
Main's frequency (f _N)	50	Hz
Voltage (U _N)	400	V
Rated motor data		
Phases-Voltage-Frequency	3~400 D-50	V-Hz
Frame size-No of poles	100L / IE3-4	
Power (P _N)	3	kW
Speed (n _N)	1450	1/min
Current (I _N)	6,4	A
operational limits		
Max. fan speed (n _{v_max})	2850	1/min
Max. operating frequency (f _{max})	98	Hz
Temp. range for conveying medium (t _{min} ...t _{max})	-20...40	C



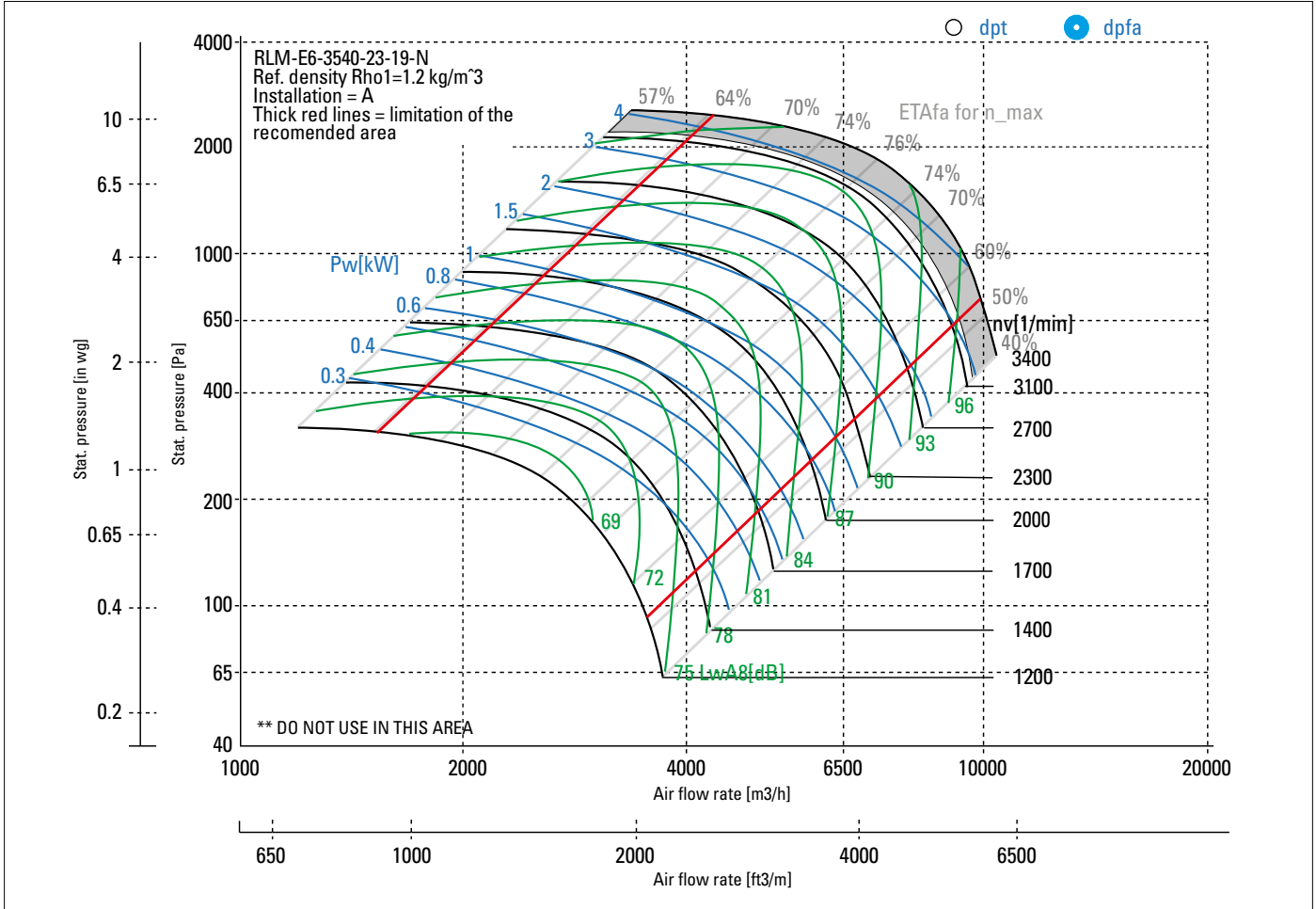
Technical Data according to ErP-REGULATION 327/2011/EU

Overall efficiency (η _{se})	67,5 %
Measurement category	A
Efficiency category	static
Achieved efficiency grade (N _{ist})	72,7
Speed control	has to be installed
Year of manufacture	Is shown on the relevant rating plate for the product
Manufacturer	Nicotra Gebhardt GmbH, 74638 Waldenburg (Germany)
Type Model number	RLM E6-3540-43-17-N
Motor input power (P _{e,opt})	3,22 kW

Flow rate (q _{v,opt})	6043 m³/h
Pressure (p _{se,opt})	1294 Pa
Speed (N _{opt})	2850 min ⁻¹
Specific ratio (p ₂ /p ₁)	1,013
Disposal/Recycling:	Information on recycling and disposal is provided in the operating instruction.
Information on maintenance:	Information on installation, operation and maintenance is provided in the operating instructions.
Additional components:	The measurements do not use components which are not part of the fan.



Description	Value	Dim.
Installation acc. DIN 24163 Part 1		A
Reference density (Rho1)	1,2	kg/m ³
Medium temperature (t)	20	C
Fan weight (m) basic device without accessories	57	kg
Feed data		
Main's frequency (f _N)	50	Hz
Voltage (U _N)	400	V
Rated motor data		
Phases-Voltage-Frequency	3~400 D-50	V-Hz
Frame size-No of poles	112M / IE3-2	
Power (P _N)	4	kW
Speed (n _N)	2900	1/min
Current (I _N)	7,9	A
operational limits		
Max. fan speed (n _{v_max})	3150	1/min
Max. operating frequency (f _{max})	54	Hz
Temp. range for conveying medium (t _{min} ...t _{max})	-20...40	C



Technical Data according to ErP-REGULATION 327/2011/EU	
Overall efficiency (η _{se})	67,4 %
Measurement category	A
Efficiency category	static
Achieved efficiency grade (N _{ist})	71,2
Speed control	has to be installed
Year of manufacture	Is shown on the relevant rating plate for the product
Manufacturer	Nicotra Gebhardt GmbH, 74638 Waldenburg (Germany)
Type Model number	RLM E6-3540-23-19-N
Motor input power (P _{e,opt})	4,35 kW

Flow rate (q _{v,opt})	6679 m ³ /h
Pressure (p _{se,opt})	1580 Pa
Speed (N _{opt})	3150 min ⁻¹
Specific ratio (p ₂ /p ₁)	1,016
Disposal/Recycling: Information on recycling and disposal is provided in the operating instruction.	
Information on maintenance: Information on installation, operation and maintenance is provided in the operating instructions.	
Additional components: The measurements do not use components which are not part of the fan.	

Description

	Value	Dim.
Installation acc. DIN 24163 Part 1		A
Reference density (Rho1)	1,2	kg/m ³
Medium temperature (t)	20	C
Fan weight (m) basic device without accessories	67	kg

Feed data

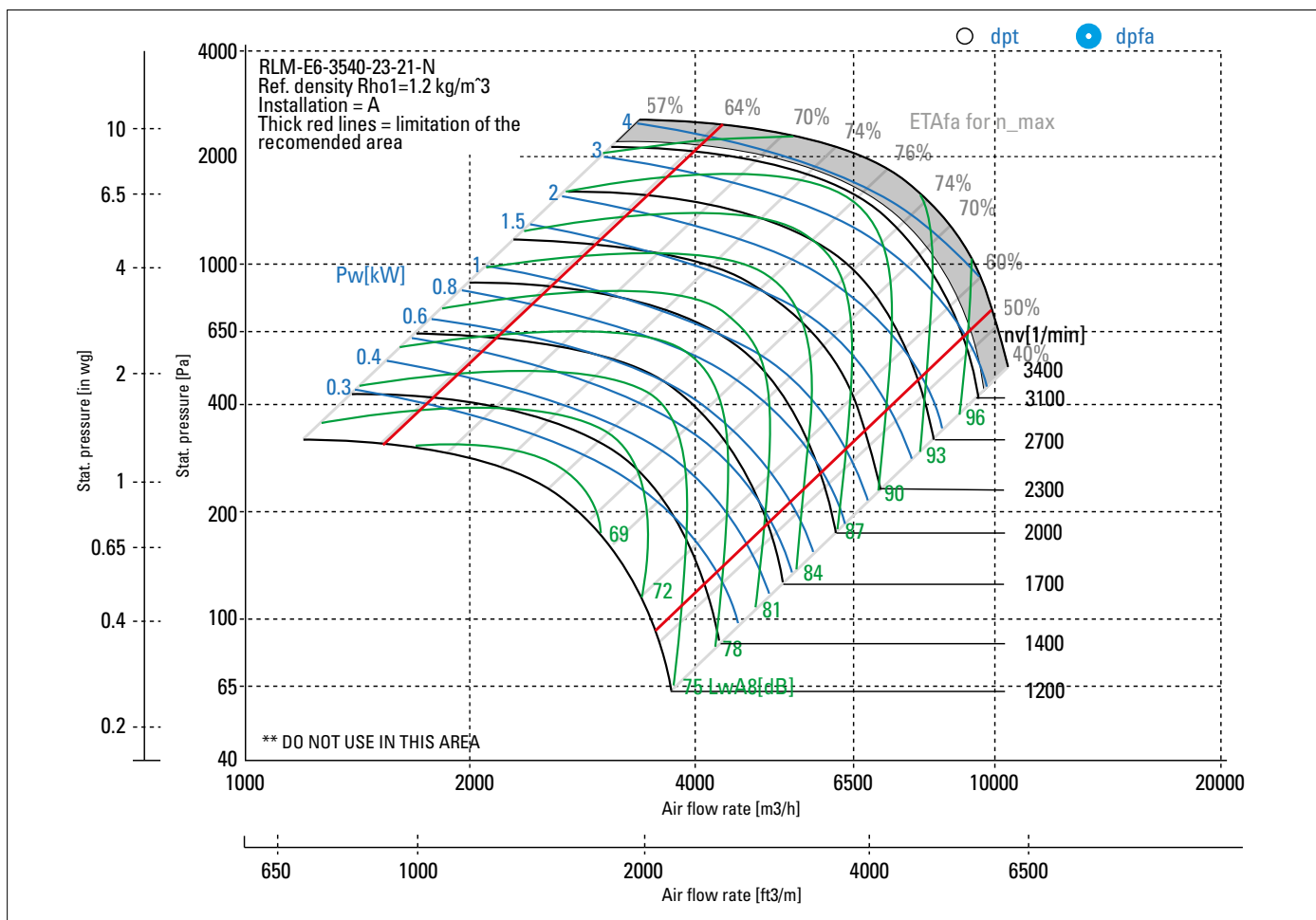
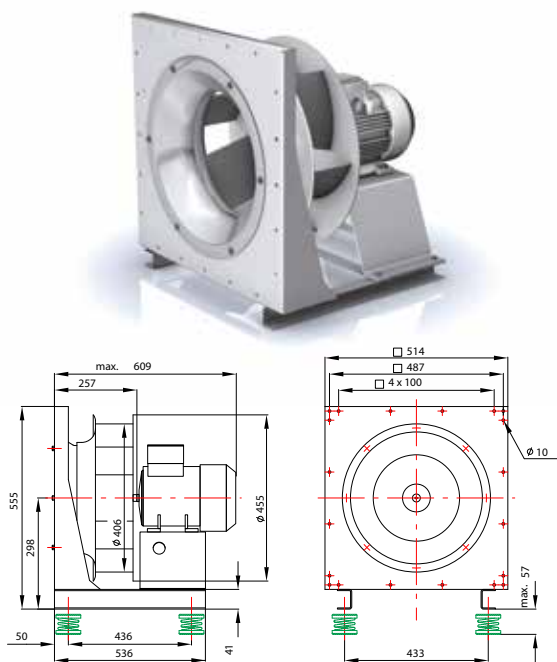
Main's frequency (f _N)	50	Hz
Voltage (U _N)	400	V

Rated motor data

Phases-Voltage-Frequency	3~400 S-50	V-Hz
Frame size-No of poles	132S / IE3-2	
Power (P _N)	5.5	kW
Speed (n _N)	2930	1/min
Current (I _N)	9,95	A

operational limits

Max. fan speed (n _{max})	3400	1/min
Max. operating frequency (f _{max})	58	Hz
Temp. range for conveying medium (t _{min} ...t _{max})	-20...40	C

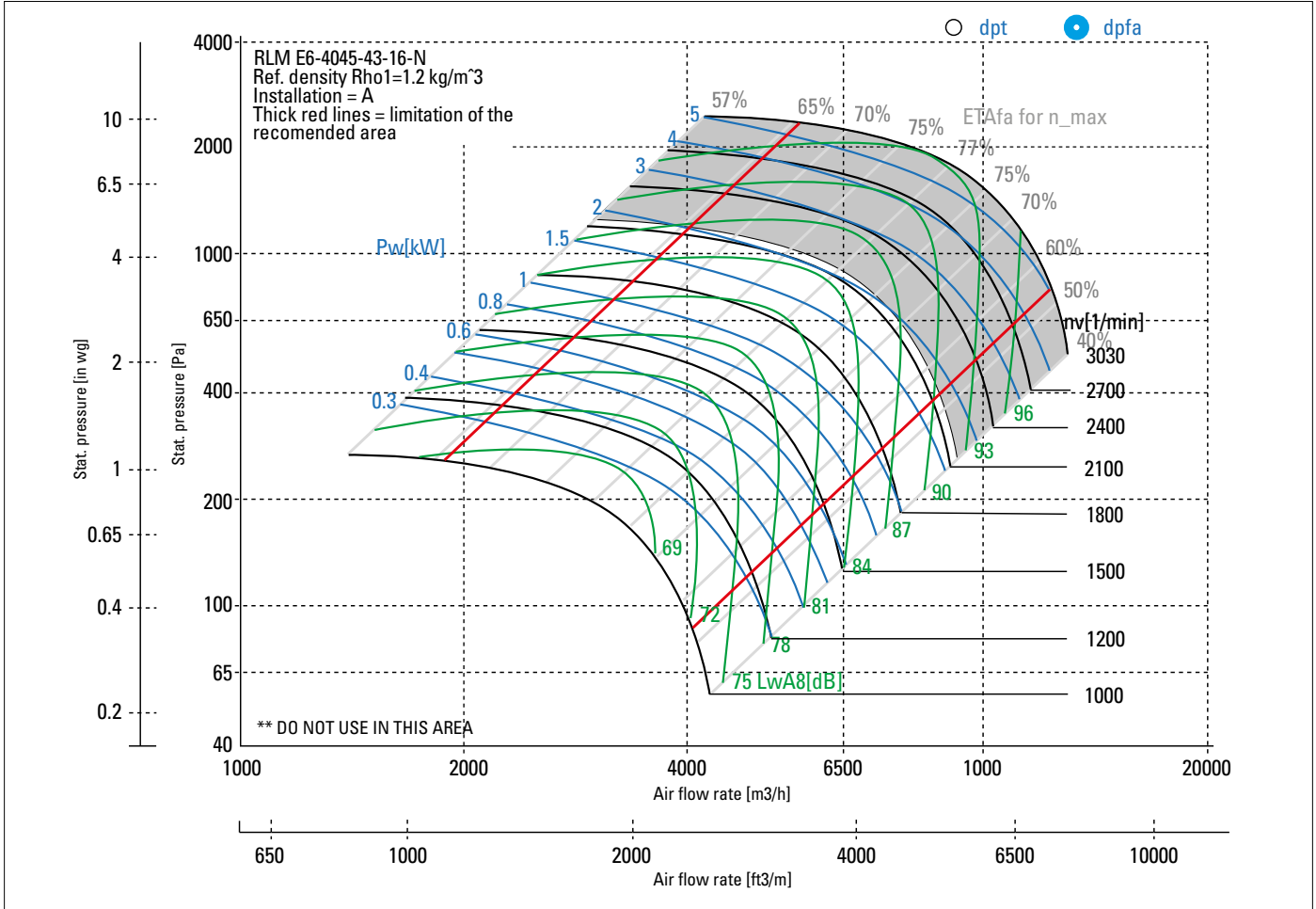
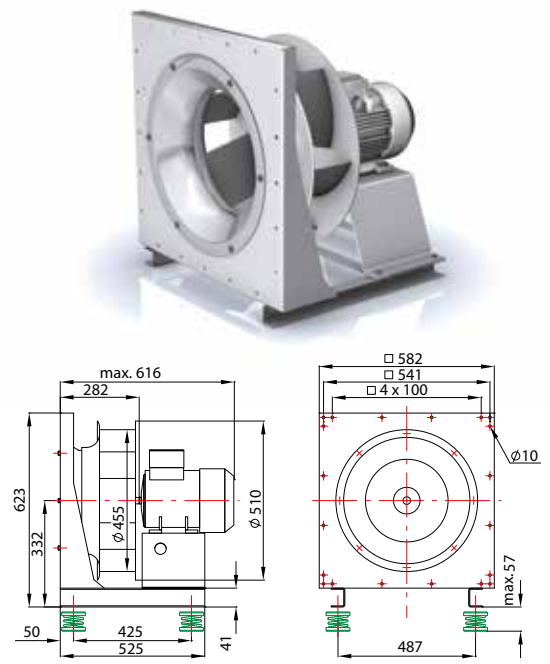


Technical Data according to ErP-REGULATION 327/2011/EU

Overall efficiency (η _{se})	68,0 %
Measurement category	A
Efficiency category	static
Achieved efficiency grade (N _{ist})	70,7
Speed control	has to be installed
Year of manufacture	Is shown on the relevant rating plate for the product
Manufacturer	Nicotra Gebhardt GmbH, 74638 Waldenburg (Germany)
Type Model number	RLM E6-3540-23-21-N
Motor input power (P _{e,opt})	5,43 kW

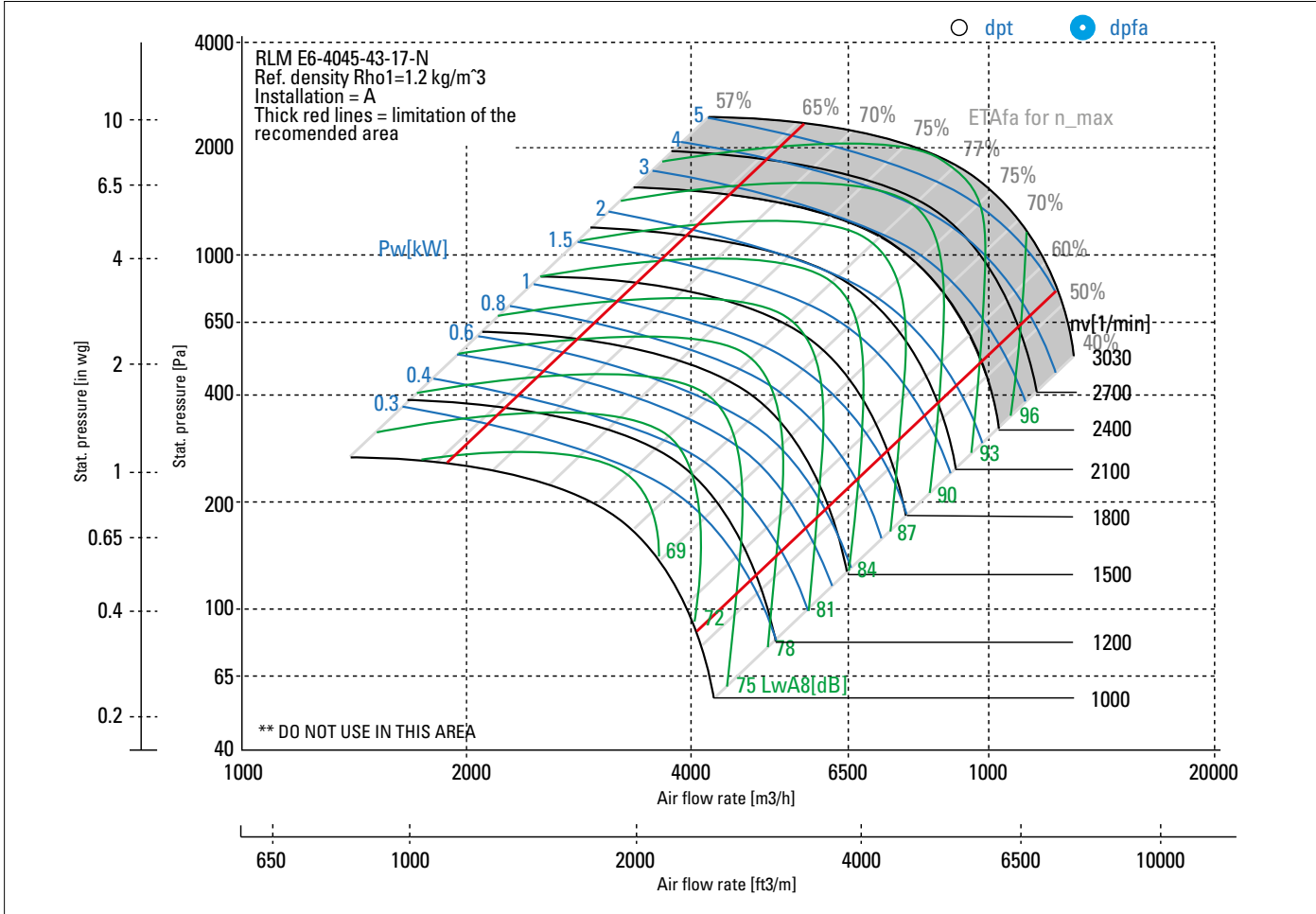
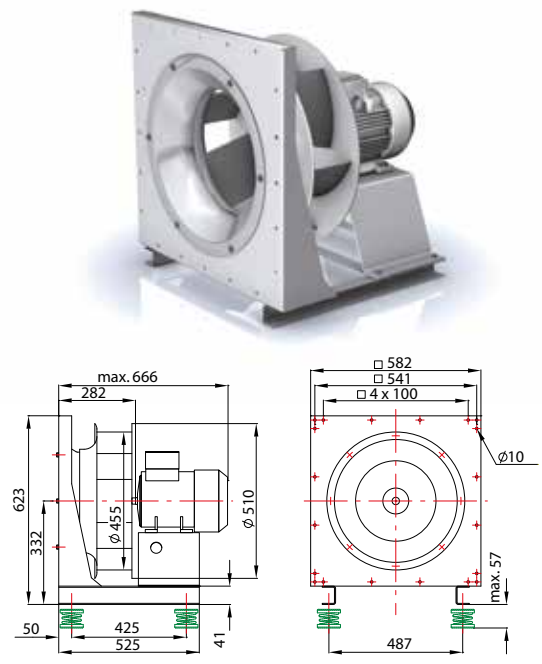
Flow rate (q _{v,opt})	7209 m ³ /h
Pressure (p _{sf,opt})	1841 Pa
Speed (N _{opt})	3400 min ⁻¹
Specific ratio (p ₂ /p ₁)	1,018
Disposal/Recycling: Information on recycling and disposal is provided in the operating instruction.	
Information on maintenance: Information on installation, operation and maintenance is provided in the operating instructions.	
Additional components: The measurements do not use components which are not part of the fan.	

Description	Value	Dim.
Installation acc. DIN 24163 Part 1	A	
Reference density (Rho1)	1,2	kg/m ³
Medium temperature (t)	20	C
Fan weight (m) basic device without accessories	55	kg
Feed data		
Main's frequency (f _N)	50	Hz
Voltage (U _N)	400	V
Rated motor data		
Phases-Voltage-Frequency	3~400 S-50	V-Hz
Frame size-No of poles	100L / IE3-4	
Power (P _N)	2.2	kW
Speed (n _N)	1450	1/min
Current (I _N)	4,9	A
operational limits		
Max. fan speed (n _{max})	2140	1/min
Max. operating frequency (f _{max})	73	Hz
Temp. range for conveying medium (t _{min} ...t _{max})	-20...40	C



Technical Data according to ErP-REGULATION 327/2011/EU		
Overall efficiency (η _{se})	67,6 %	Flow rate (q _{v,opt})
Measurement category	A	6386 m ³ /h
Efficiency category	static	Pressure (p _{se,opt})
Achieved efficiency grade (N _{ist})	74,2	900 Pa
Speed control	has to be installed	Speed (N _{opt})
Year of manufacture	Is shown on the relevant rating plate for the product	2140 min ⁻¹
Manufacturer	Nicotra Gebhardt GmbH, 74638 Waldenburg (Germany)	Specific ratio (p ₂ /p ₁)
Type Model number	RLM E6-4045-43-16-N	1,009
Motor input power (P _{e,opt})	2,36 kW	Disposal/Recycling: Information on recycling and disposal is provided in the operating instruction.
		Information on maintenance: Information on installation, operation and maintenance is provided in the operating instructions.
		Additional components: The measurements do not use components which are not part of the fan.

Description	Value	Dim.
Installation acc. DIN 24163 Part 1	A	
Reference density (Rho1)	1,2	kg/m ³
Medium temperature (t)	20	C
Fan weight (m) basic device without accessories	58	kg
Feed data		
Main's frequency (f _N)	50	Hz
Voltage (U _N)	400	V
Rated motor data		
Phases-Voltage-Frequency	3~400 D-50	V-Hz
Frame size-No of poles	100L / IE3-4	
Power (P _N)	3	kW
Speed (n _N)	1450	1/min
Current (I _N)	6,4	A
operational limits		
Max. fan speed (n _{max})	2400	1/min
Max. operating frequency (f _{max})	82	Hz
Temp. range for conveying medium (t _{min} ...t _{max})	-20...40	C



Technical Data according to ErP-REGULATION 327/2011/EU		
Overall efficiency (η _{se})	68,6 %	Flow rate (q _{v,opt})
Measurement category	A	7162 m³/h
Efficiency category	static	Pressure (p _{sF,opt})
Achieved efficiency grade (N _{ist})	73,7	1132 Pa
Speed control	has to be installed	Speed (N _{opt})
Year of manufacture	Is shown on the relevant rating plate for the product	2400 min ⁻¹
Manufacturer	Nicotra Gebhardt GmbH, 74638 Waldenburg (Germany)	Specific ratio (p ₂ /p ₁)
Type Model number	RLM E6-4045-43-17-N	1,011
Motor input power (P _{e,opt})	3,28 kW	Disposal/Recycling: Information on recycling and disposal is provided in the operating instruction.
		Information on maintenance: Information on installation, operation and maintenance is provided in the operating instructions.
		Additional components: The measurements do not use components which are not part of the fan.

Description

	Value	Dim.
Installation acc. DIN 24163 Part 1		A
Reference density (Rho1)	1,2	kg/m ³
Medium temperature (t)	20	C
Fan weight (m) basic device without accessories	67	kg

Feed data

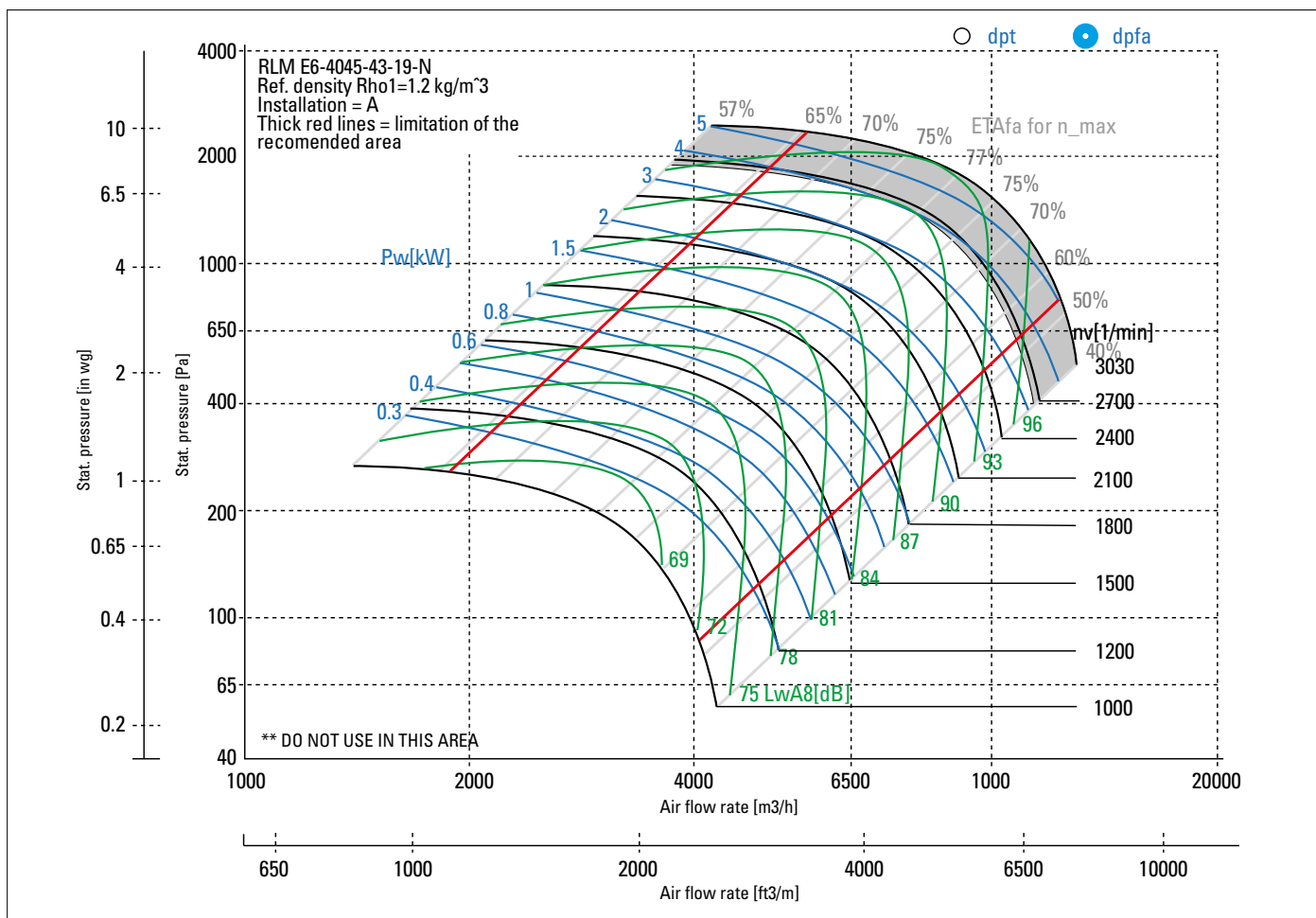
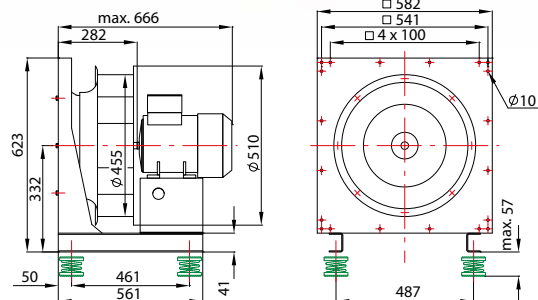
Main's frequency (f _N)	50	Hz
Voltage (U _N)	400	V

Rated motor data

Phases-Voltage-Frequency	3~400 D-50	V-Hz
Frame size-No of poles	112M / IE3-4	
Power (P _N)	4	kW
Speed (n _N)	1450	1/min
Current (I _N)	8,1	A

operational limits

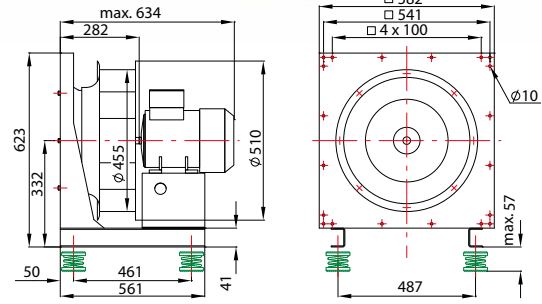
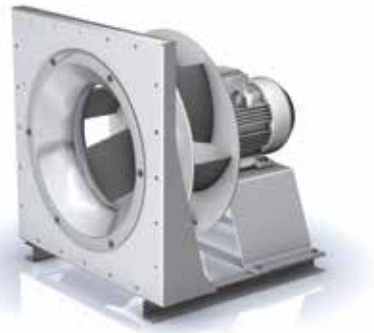
Max. fan speed (n _{max})	2640	1/min
Max. operating frequency (f _{max})	91	Hz
Temp. range for conveying medium (t _{min} ...t _{max})	-20...40	C



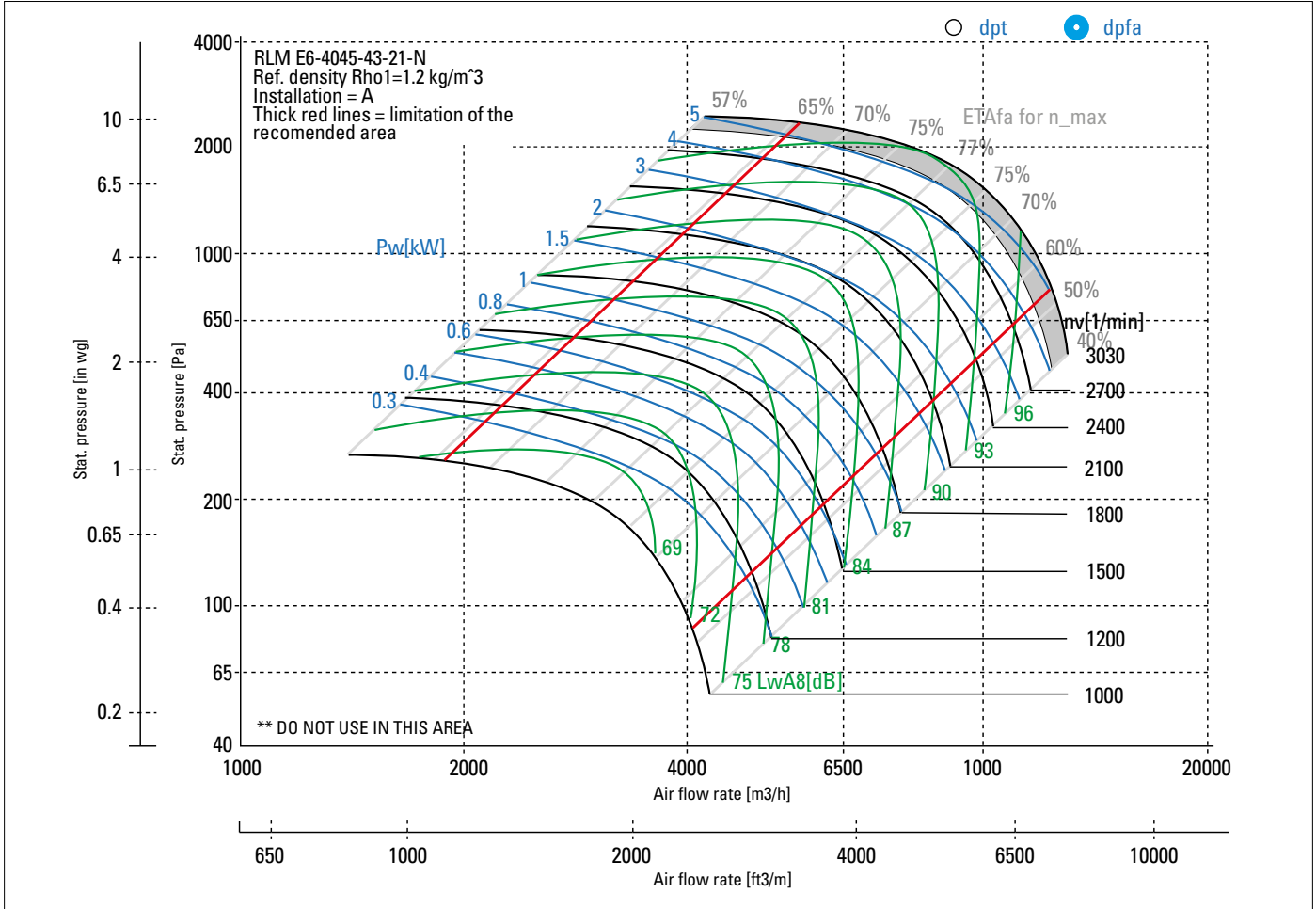
Technical Data according to ErP-REGULATION 327/2011/EU

Overall efficiency (η _{se})	69,0 %
Measurement category	A
Efficiency category	static
Achieved efficiency grade (N _{ist})	72,7
Speed control	has to be installed
Year of manufacture	Is shown on the relevant rating plate for the product
Manufacturer	Nicotra Gebhardt GmbH, 74638 Waldenburg (Germany)
Type Model number	RLM E6-4045-43-19-N
Motor input power (P _{e,opt})	4,35 kW

Flow rate (q _{v,opt})	7878 m ³ /h
Pressure (p _{sf,opt})	1370 Pa
Speed (N _{opt})	2640 min ⁻¹
Specific ratio (p ₂ /p ₁)	1,014
Disposal/Recycling:	Information on recycling and disposal is provided in the operating instruction.
Information on maintenance:	Information on installation, operation and maintenance is provided in the operating instructions.
Additional components:	The measurements do not use components which are not part of the fan.



Description	Value	Dim.
Installation acc. DIN 24163 Part 1	A	
Reference density (Rho1)	1,2	kg/m ³
Medium temperature (t)	20	C
Fan weight (m) basic device without accessories	83	kg
Feed data		
Main's frequency (f _N)	50	Hz
Voltage (U _N)	400	V
Rated motor data		
Phases-Voltage-Frequency	3~400 D-50	V-Hz
Frame size-No of poles	132S / IE3-4	
Power (P _N)	5.5	kW
Speed (n _N)	1460	1/min
Current (I _N)	11,5	A
operational limits		
Max. fan speed (n _{max})	2870	1/min
Max. operating frequency (f _{max})	98	Hz
Temp. range for conveying medium (t _{min} ...t _{max})	-20...40	C



Technical Data according to ErP-REGULATION 327/2011/EU

Overall efficiency (η _{se})	69,3 %
Measurement category	A
Efficiency category	static
Achieved efficiency grade (N _{ist})	72,0
Speed control	has to be installed
Year of manufacture	Is shown on the relevant rating plate for the product
Manufacturer	Nicotra Gebhardt GmbH, 74638 Waldenburg (Germany)
Type Model number	RLM E6-4045-43-21-N
Motor input power (P _{e,opt})	5,56 kW

Flow rate (q _{v,opt})	8565 m ³ /h
Pressure (p _{sf,opt})	1619 Pa
Speed (N _{opt})	2870 min ⁻¹
Specific ratio (p ₂ /p ₁)	1,016
Disposal/Recycling:	Information on recycling and disposal is provided in the operating instruction.
Information on maintenance:	Information on installation, operation and maintenance is provided in the operating instructions.
Additional components:	The measurements do not use components which are not part of the fan.

Description

	Value	Dim.
Installation acc. DIN 24163 Part 1		A
Reference density (Rho1)	1,2	kg/m ³
Medium temperature (t)	20	C
Fan weight (m) basic device without accessories	90	kg

Feed data

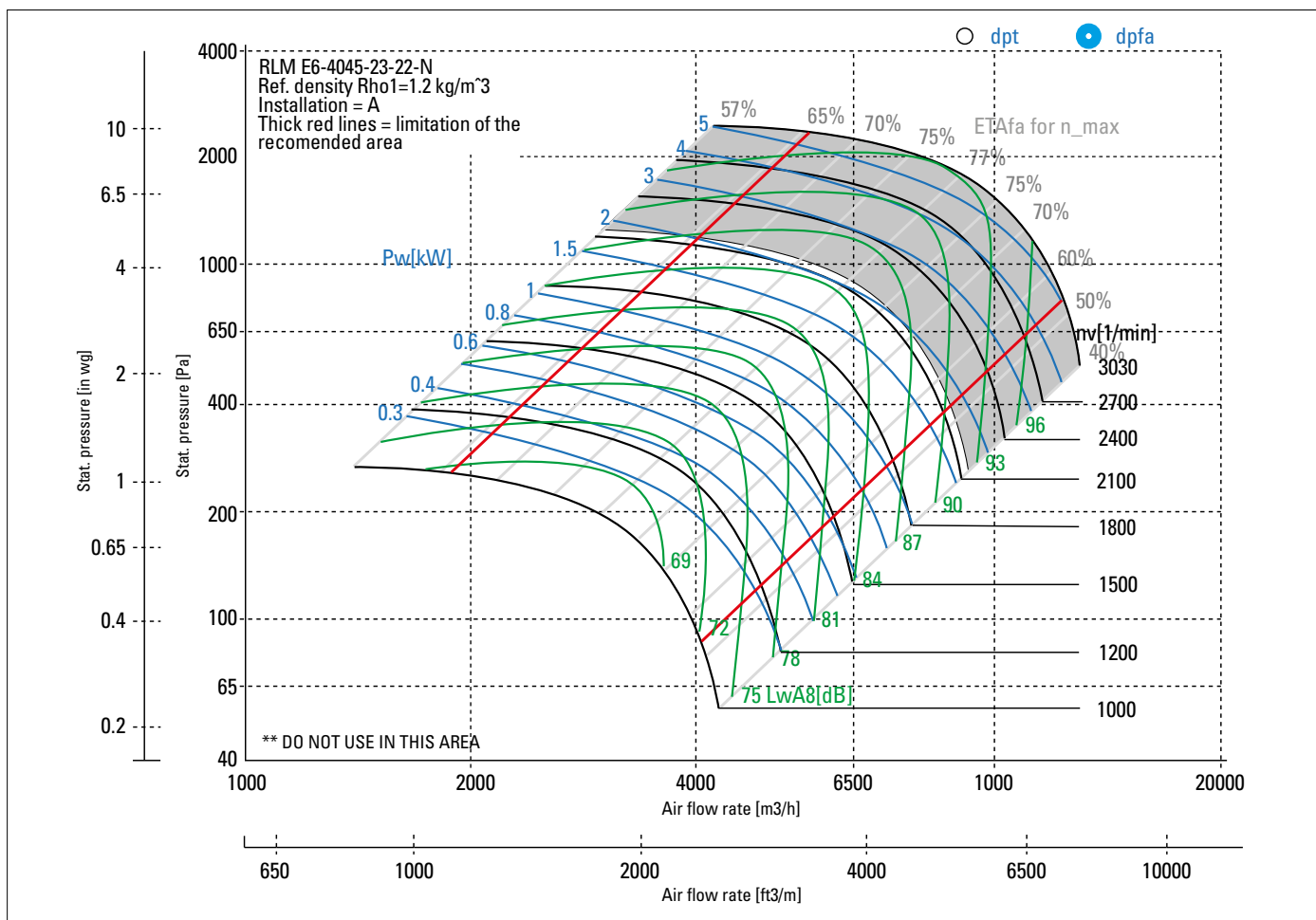
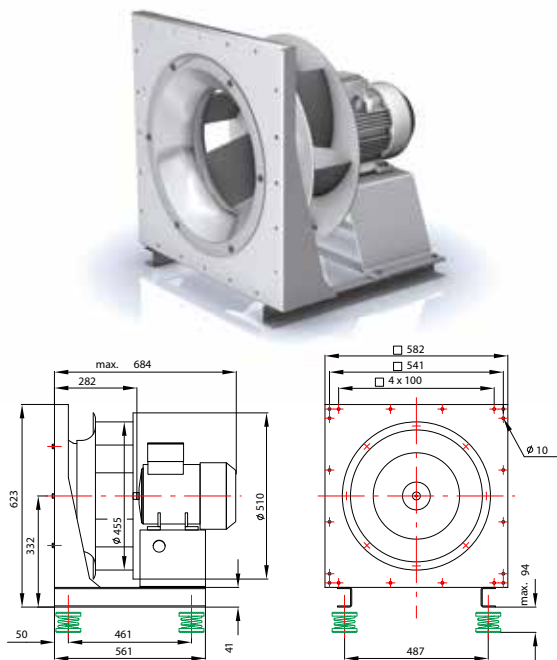
Main's frequency (f _N)	50	Hz
Voltage (U _N)	400	V

Rated motor data

Phases-Voltage-Frequency	3~400 S-50	V-Hz
Frame size-No of poles	132S / IE3-4	
Power (P _N)	7.5	kW
Speed (n _N)	2940	1/min
Current (I _N)	13,5	A

operational limits

Max. fan speed (n _{max})	3030	1/min
Max. operating frequency (f _{max})	51	Hz
Temp. range for conveying medium (t _{min} ...t _{max})	-20...40	C

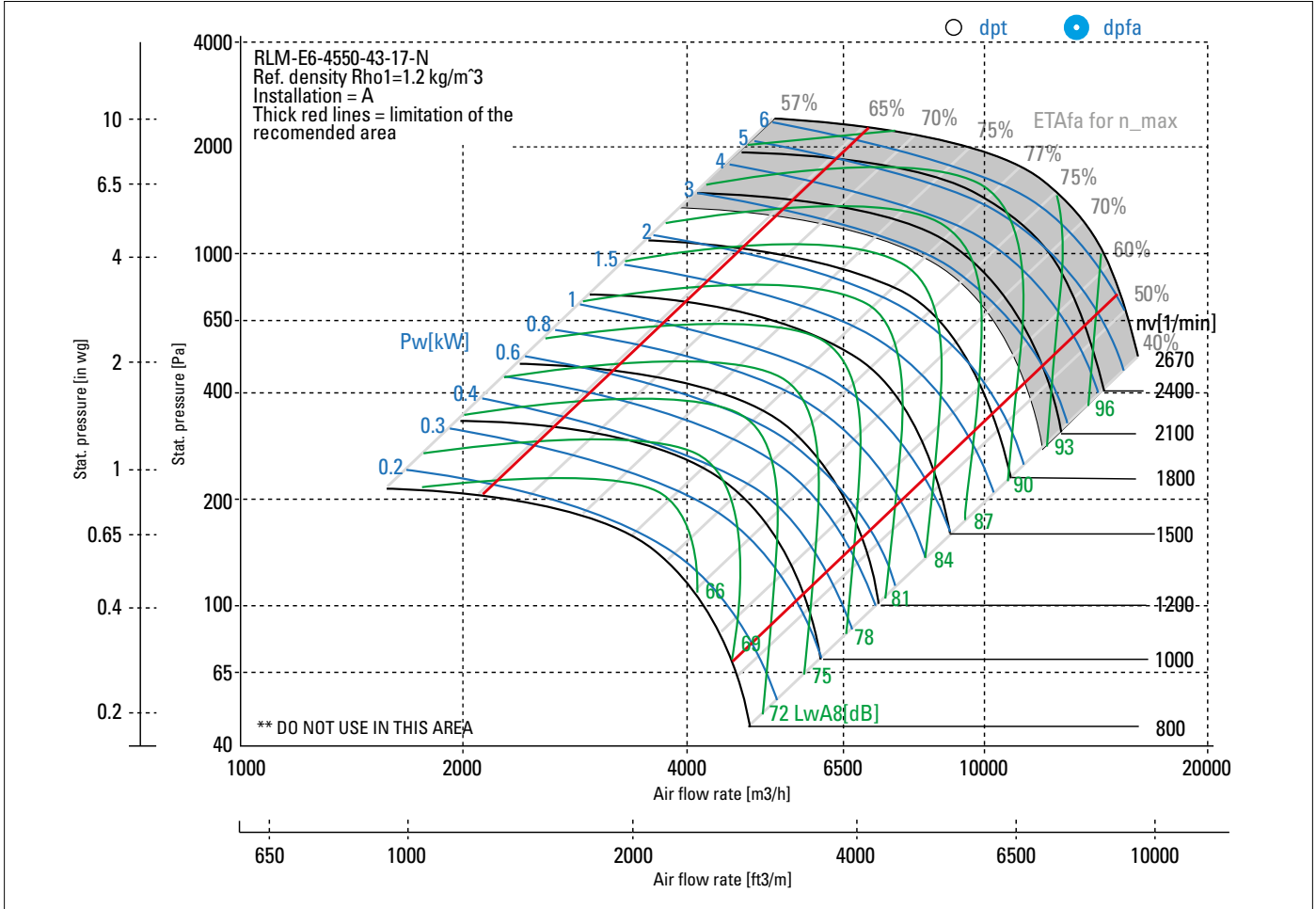
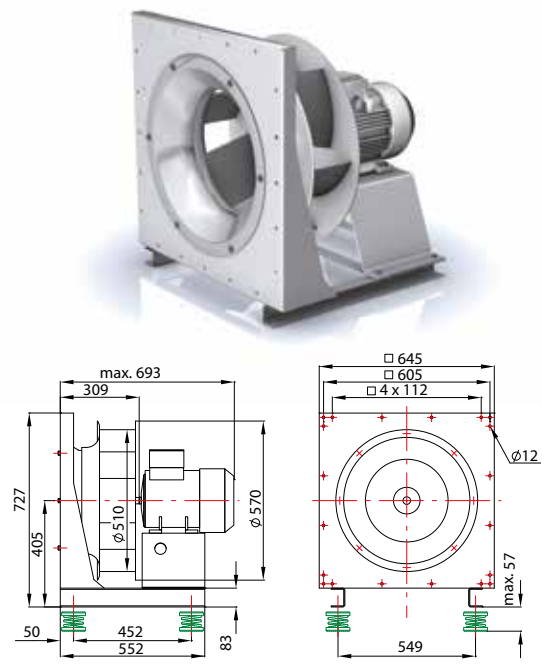


Technical Data according to ErP-REGULATION 327/2011/EU

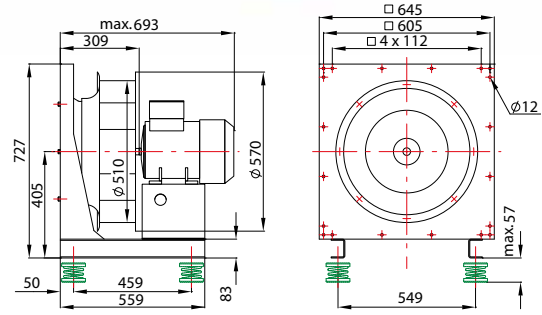
Overall efficiency (η _{se})	70,3 %
Measurement category	A
Efficiency category	static
Achieved efficiency grade (N _{ist})	72,3
Speed control	has to be installed
Year of manufacture	Is shown on the relevant rating plate for the product
Manufacturer	Nicotra Gebhardt GmbH, 74638 Waldenburg (Germany)
Type Model number	RLM E6-4045-23-22-N
Motor input power (P _{e,opt})	6,45 kW

Flow rate (q _{v,opt})	9042 m ³ /h
Pressure (p _{sF,opt})	1805 Pa
Speed (N _{opt})	3030 min ⁻¹
Specific ratio (p ₂ /p ₁)	1,018
Disposal/Recycling:	Information on recycling and disposal is provided in the operating instruction.
Information on maintenance:	Information on installation, operation and maintenance is provided in the operating instructions.
Additional components:	The measurements do not use components which are not part of the fan.

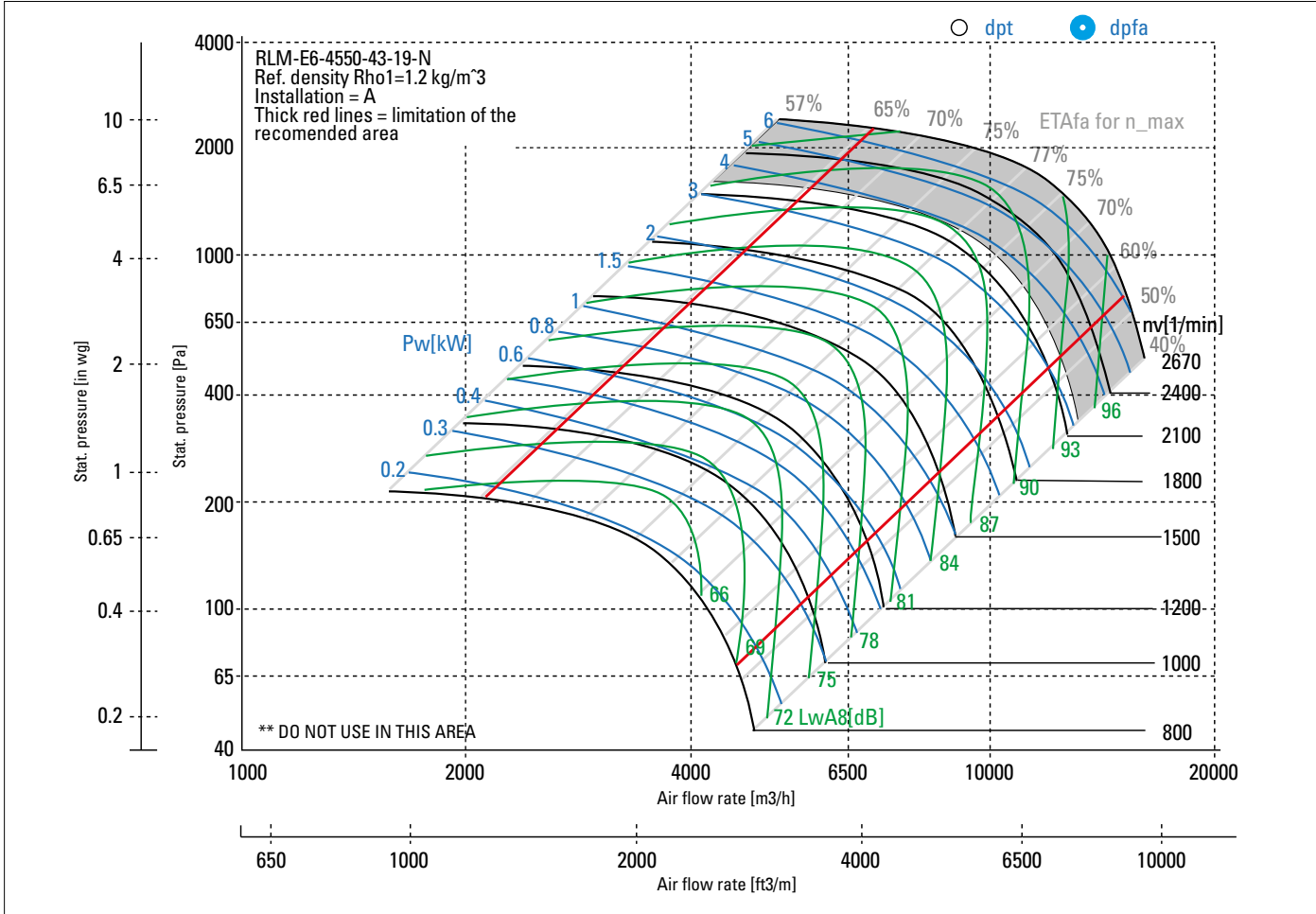
Description	Value	Dim.
Installation acc. DIN 24163 Part 1		A
Reference density (Rho1)	1,2	kg/m ³
Medium temperature (t)	20	C
Fan weight (m) basic device without accessories	68	kg
Feed data		
Main's frequency (f _N)	50	Hz
Voltage (U _N)	400	V
Rated motor data		
Phases-Voltage-Frequency	3~400 D-50	V-Hz
Frame size-No of poles	100L / IE3-4	
Power (P _N)	3	kW
Speed (n _N)	1450	1/min
Current (I _N)	6,4	A
operational limits		
Max. fan speed (n _{v_max})	1980	1/min
Max. operating frequency (f _{max})	68	Hz
Temp. range for conveying medium (t _{min} ...t _{max})	-20...40	C



Technical Data according to ErP-REGULATION 327/2011/EU		
Overall efficiency (η _{se})	68,6 %	Flow rate (q _{v,opt})
Measurement category	A	8321 m ³ /h
Efficiency category	static	Pressure (p _{sf,opt})
Achieved efficiency grade (N _{ist})	73,7	968 Pa
Speed control	has to be installed	Speed (N _{opt})
Year of manufacture	Is shown on the relevant rating plate for the product	1980 min ⁻¹
Manufacturer	Nicotra Gebhardt GmbH, 74638 Waldenburg (Germany)	Specific ratio (p ₂ /p ₁)
Type Model number	RLM E6-4550-43-17-N	1,010
Motor input power (P _{e,opt})	3,26 kW	Disposal/Recycling: Information on recycling and disposal is provided in the operating instruction.
		Information on maintenance: Information on installation, operation and maintenance is provided in the operating instructions.
		Additional components: The measurements do not use components which are not part of the fan.

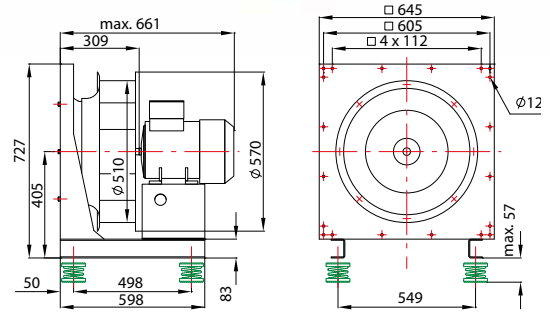


Description	Value	Dim.
Installation acc. DIN 24163 Part 1	A	
Reference density (Rho1)	1,2	kg/m ³
Medium temperature (t)	20	C
Fan weight (m) basic device without accessories	77	kg
Feed data		
Main's frequency (f _N)	50	Hz
Voltage (U _N)	400	V
Rated motor data		
Phases-Voltage-Frequency	3~400 D-50	V-Hz
Frame size-No of poles	112M / IE3-4	
Power (P _N)	4	kW
Speed (n _N)	1450	1/min
Current (I _N)	8,1	A
operational limits		
Max. fan speed (n _{max})	2180	1/min
Max. operating frequency (f _{max})	75	Hz
Temp. range for conveying medium (t _{min} ...t _{max})	-20...40	C

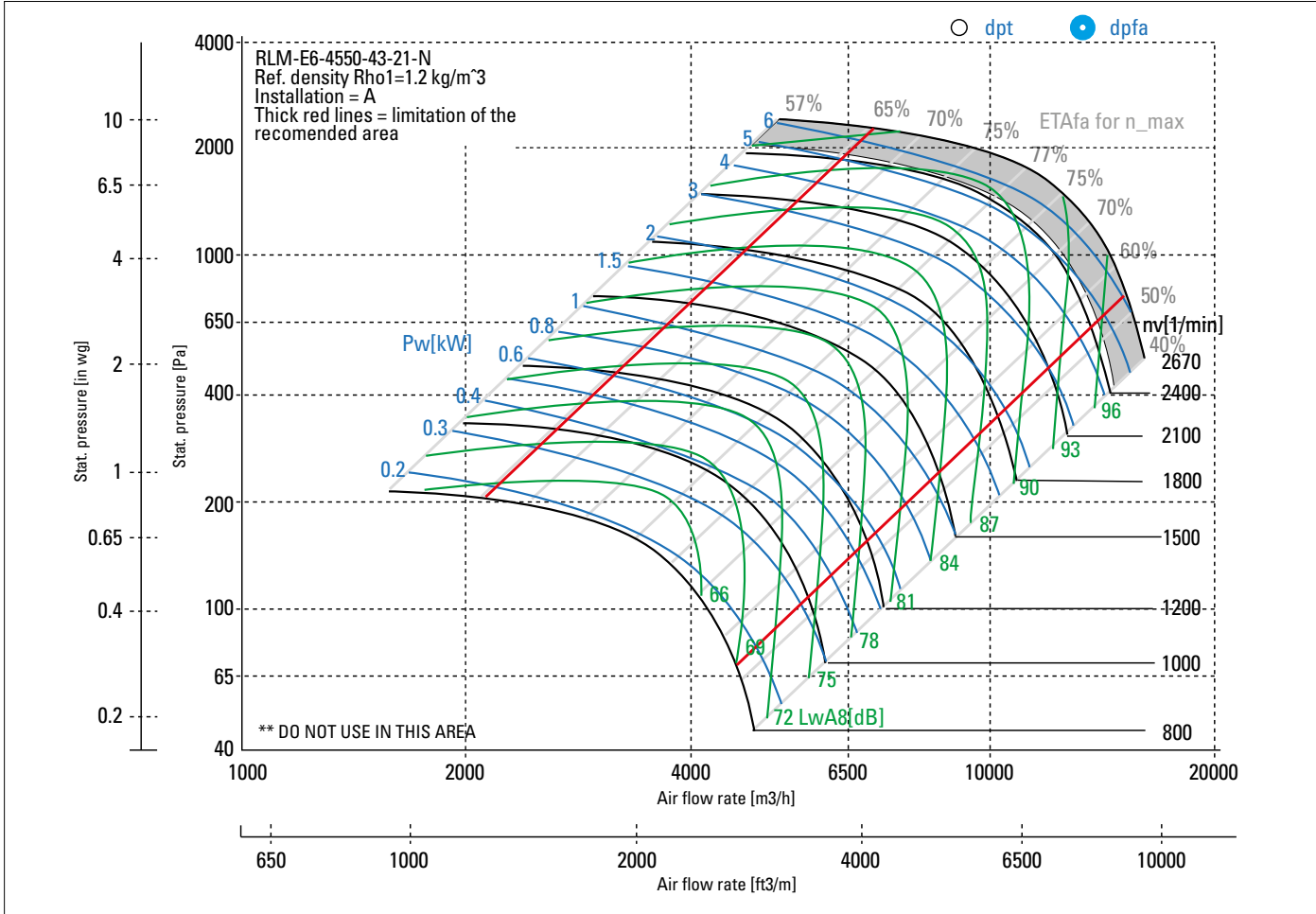


Technical Data according to ErP-REGULATION 327/2011/EU	
Overall efficiency (η _{se})	69,0 %
Measurement category	A
Efficiency category	static
Achieved efficiency grade (N _{ist})	72,8
Speed control	has to be installed
Year of manufacture	Is shown on the relevant rating plate for the product
Manufacturer	Nicotra Gebhardt GmbH, 74638 Waldenburg (Germany)
Type Model number	RLM E6-4550-43-19-N
Motor input power (P _{e,opt})	4,33 kW

Flow rate (q _{v,opt})	9162 m ³ /h
Pressure (p _{f,opt})	1174 Pa
Speed (N _{opt})	2180 min ⁻¹
Specific ratio (p ₂ /p ₁)	1,012
Disposal/Recycling: Information on recycling and disposal is provided in the operating instruction.	
Information on maintenance: Information on installation, operation and maintenance is provided in the operating instructions.	
Additional components: The measurements do not use components which are not part of the fan.	



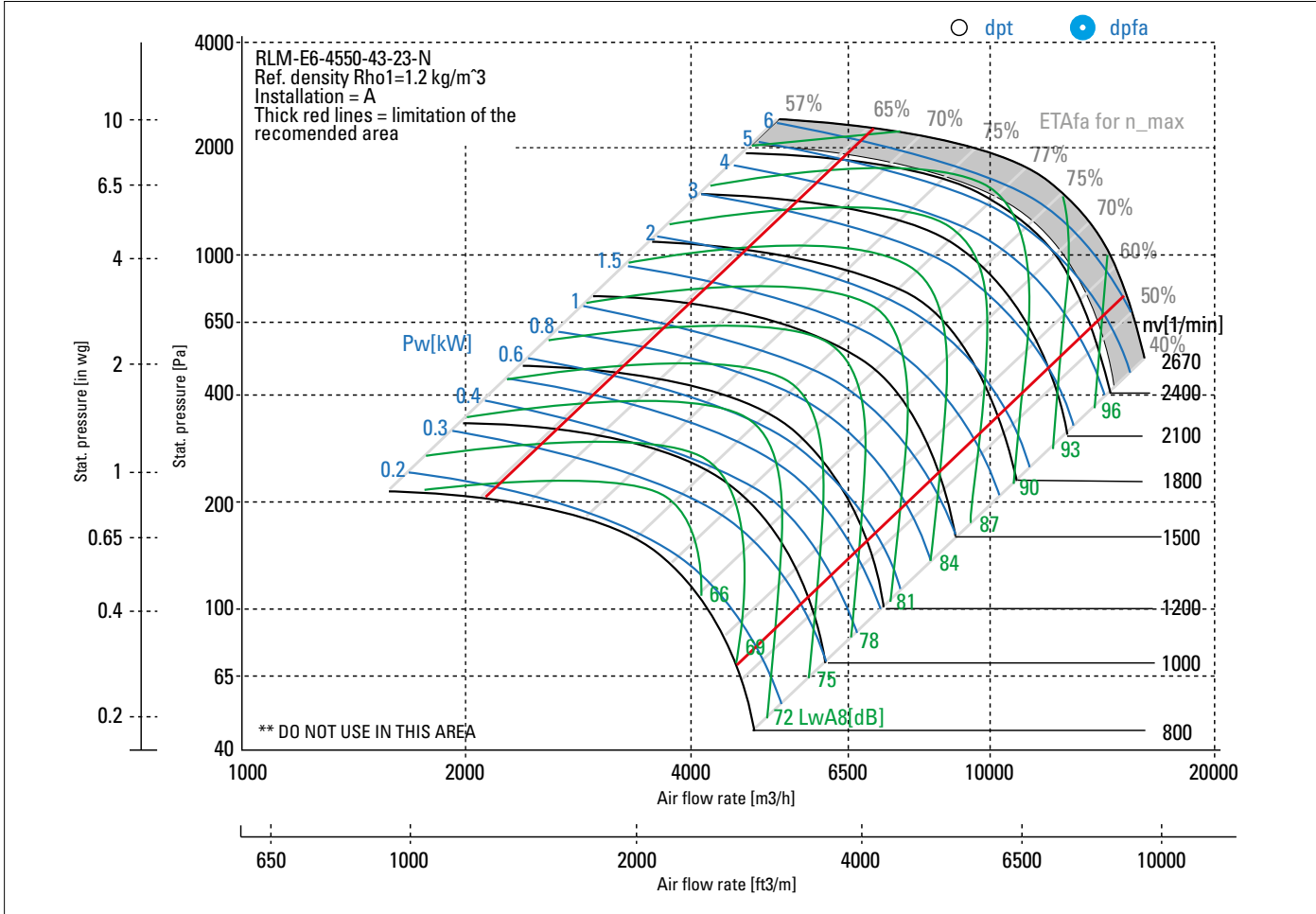
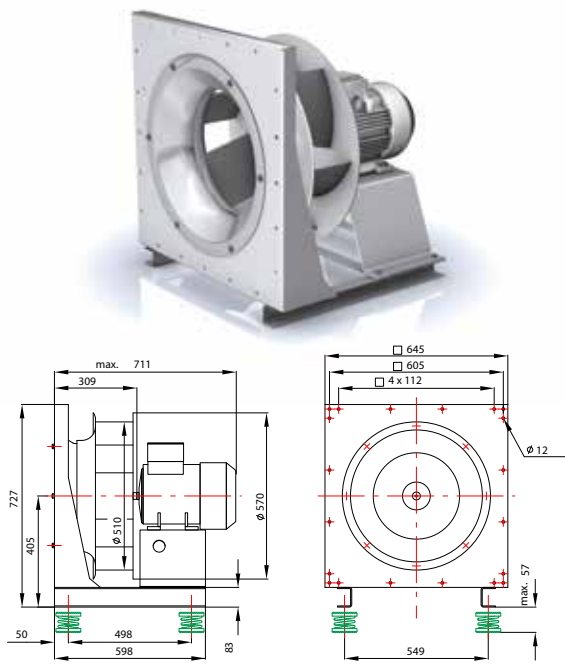
Description	Value	Dim.
Installation acc. DIN 24163 Part 1	A	
Reference density (Rho1)	1,2	kg/m ³
Medium temperature (t)	20	C
Fan weight (m) basic device without accessories	94	kg
Feed data		
Main's frequency (f _N)	50	Hz
Voltage (U _N)	400	V
Rated motor data		
Phases-Voltage-Frequency	3~400 D-50	V-Hz
Frame size-No of poles	132S / IE3-4	
Power (P _N)	5.5	kW
Speed (n _N)	1460	1/min
Current (I _N)	11,5	A
operational limits		
Max. fan speed (n _{max})	2430	1/min
Max. operating frequency (f _{max})	83	Hz
Temp. range for conveying medium (t _{min} ...t _{max})	-20...40	C



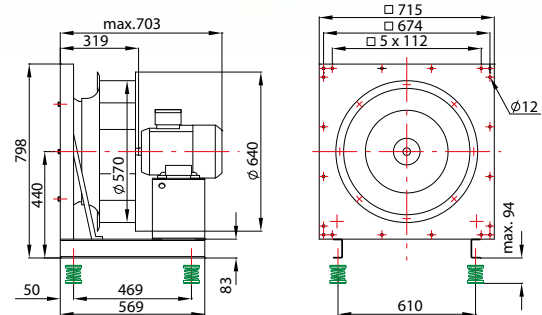
Technical Data according to ErP-REGULATION 327/2011/EU	
Overall efficiency (η _{se})	69,0 %
Measurement category	A
Efficiency category	static
Achieved efficiency grade (N _{ist})	71,3
Speed control	has to be installed
Year of manufacture	Is shown on the relevant rating plate for the product
Manufacturer	Nicotra Gebhardt GmbH, 74638 Waldenburg (Germany)
Type Model number	RLM E6-4550-43-21-N
Motor input power (P _{e,opt})	6,00 kW

Flow rate (q _{v,opt})	10212 m ³ /h
Pressure (p _{se,opt})	1458 Pa
Speed (N _{opt})	2430 min ⁻¹
Specific ratio (p ₂ /p ₁)	1,015
Disposal/Recycling: Information on recycling and disposal is provided in the operating instruction.	
Information on maintenance: Information on installation, operation and maintenance is provided in the operating instructions.	
Additional components: The measurements do not use components which are not part of the fan.	

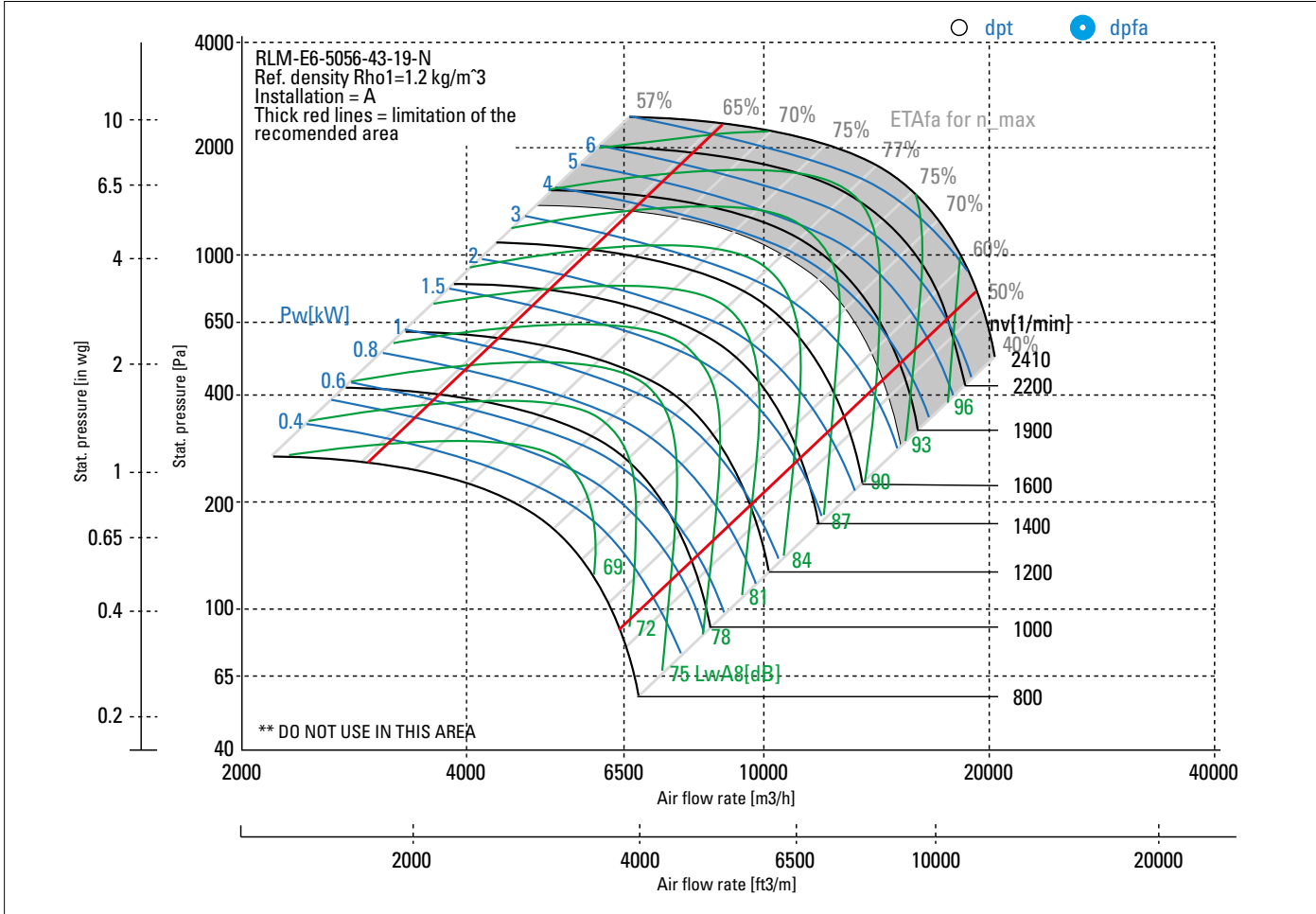
Description	Value	Dim.
Installation acc. DIN 24163 Part 1		A
Reference density (Rho1)	1,2	kg/m ³
Medium temperature (t)	20	C
Fan weight (m) basic device without accessories	99	kg
Feed data		
Main's frequency (f _N)	50	Hz
Voltage (U _N)	400	V
Rated motor data		
Phases-Voltage-Frequency	3~400 D-50	V-Hz
Frame size-No of poles	132M / IE3-4	
Power (P _N)	7.5	kW
Speed (n _N)	1460	1/min
Current (I _N)	16,1	A
operational limits		
Max. fan speed (n _{v_max})	2670	1/min
Max. operating frequency (f _{max})	91	Hz
Temp. range for conveying medium (t _{min} ...t _{max})	-20...40	C



Technical Data according to ErP-REGULATION 327/2011/EU			
Overall efficiency (η _{se})	70,1 %	Flow rate (q _{v,opt})	11221 m3/h
Measurement category	A	Pressure (p _{sF,opt})	1761 Pa
Efficiency category	static	Speed (N _{opt})	2670 min-1
Achieved efficiency grade (N _{ist})	71,2	Specific ratio (p ₂ /p ₁)	1,018
Speed control	has to be installed	Disposal/Recycling: Information on recycling and disposal is provided in the operating instruction.	
Year of manufacture	Is shown on the relevant rating plate for the product	Information on maintenance: Information on installation, operation and maintenance is provided in the operating instructions.	
Manufacturer	Nicotra Gebhardt GmbH, 74638 Waldenburg (Germany)	Additional components: The measurements do not use components which are not part of the fan.	
Type Model number	RLM E6-4550-43-23-N		
Motor input power (P _{e,opt})	7,83 kW		

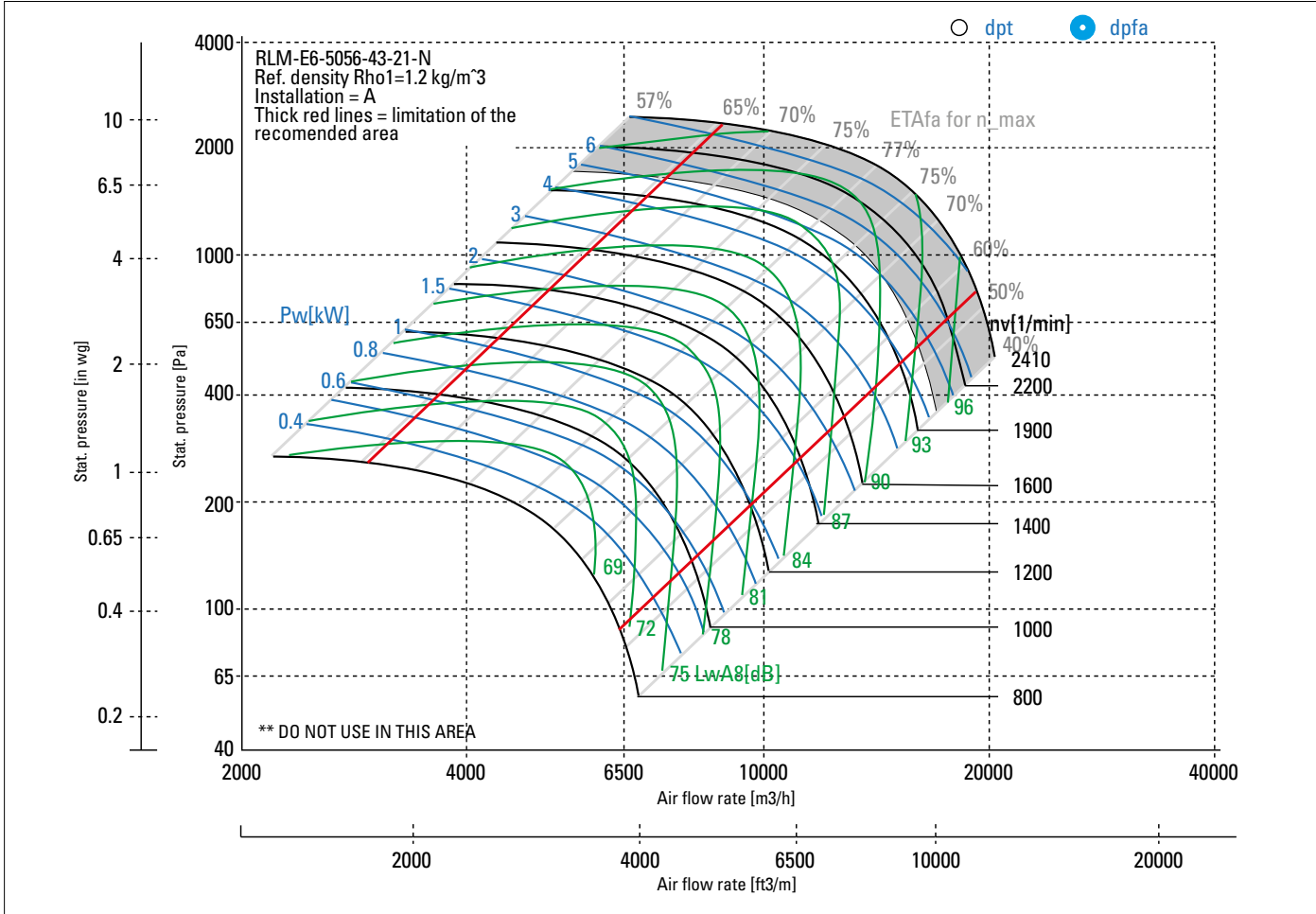
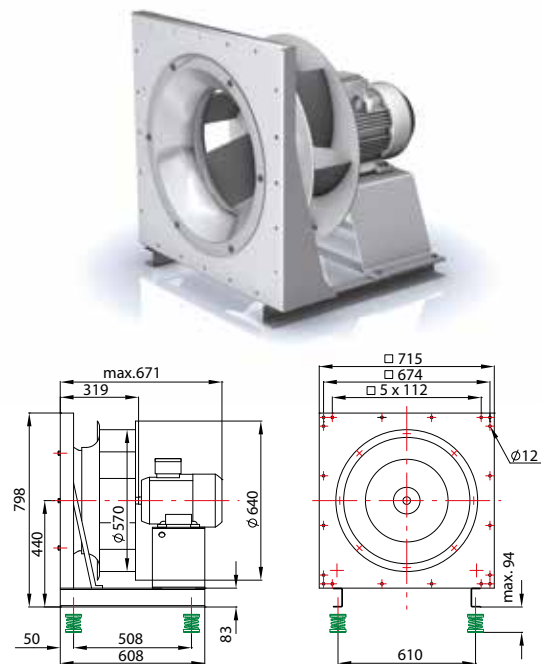


Description	Value	Dim.
Installation acc. DIN 24163 Part 1	A	
Reference density (Rho1)	1,2	kg/m ³
Medium temperature (t)	20	C
Fan weight (m) basic device without accessories	84	kg
Feed data		
Main's frequency (f _N)	50	Hz
Voltage (U _N)	400	V
Rated motor data		
Phases-Voltage-Frequency	3~400 D-50	V-Hz
Frame size-No of poles	112M / IE3-4	
Power (P _N)	4	kW
Speed (n _N)	1450	1/min
Current (I _N)	8,1	A
operational limits		
Max. fan speed (n _{vmax})	1800	1/min
Max. operating frequency (f _{max})	62	Hz
Temp. range for conveying medium (t _{min} ...t _{max})	-20...40	C

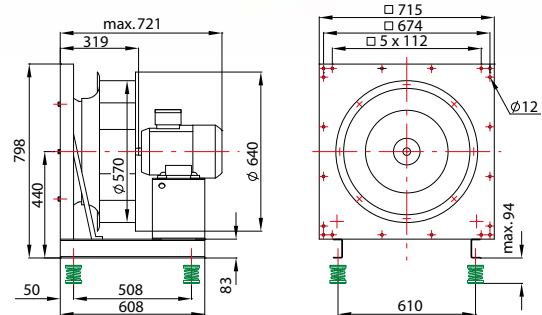


Technical Data according to ErP-REGULATION 327/2011/EU		
Overall efficiency (η _{se})	69,0 %	Flow rate (q _{v,opt})
Measurement category	A	10561 m³/h
Efficiency category	static	Pressure (p _{sf,opt})
Achieved efficiency grade (N _{ist})	72,9	1000 Pa
Speed control	has to be installed	Speed (N _{opt})
Year of manufacture	Is shown on the relevant rating plate for the product	1800 min ⁻¹
Manufacturer	Nicotra Gebhardt GmbH, 74638 Waldenburg (Germany)	Specific ratio (p ₂ /p ₁)
Type Model number	RLM E6-5056-43-19-N	1,010
Motor input power (P _{e,opt})	4,25 kW	Disposal/Recycling: Information on recycling and disposal is provided in the operating instruction.
		Information on maintenance: Information on installation, operation and maintenance is provided in the operating instructions.
		Additional components: The measurements do not use components which are not part of the fan.

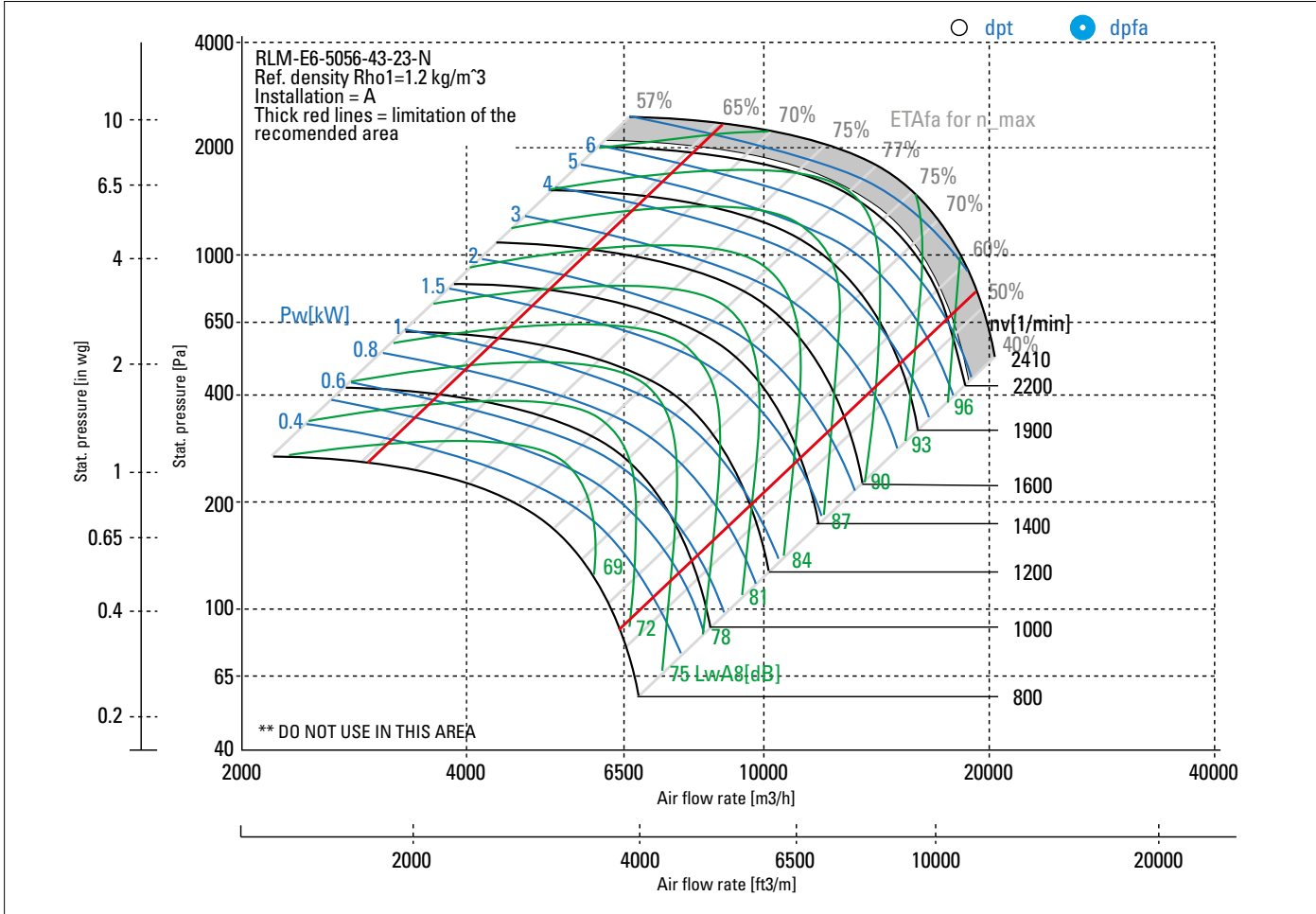
Description	Value	Dim.
Installation acc. DIN 24163 Part 1		A
Reference density (Rho1)	1,2	kg/m ³
Medium temperature (t)	20	C
Fan weight (m) basic device without accessories	103	kg
Feed data		
Main's frequency (f _N)	50	Hz
Voltage (U _N)	400	V
Rated motor data		
Phases-Voltage-Frequency	3~400 D-50	V-Hz
Frame size-No of poles	132S / IE3-4	
Power (P _N)	5.5	kW
Speed (n _N)	1460	1/min
Current (I _N)	11,5	A
operational limits		
Max. fan speed (n _{vmax})	2010	1/min
Max. operating frequency (f _{max})	68	Hz
Temp. range for conveying medium (t _{min} ...t _{max})	-20...40	C



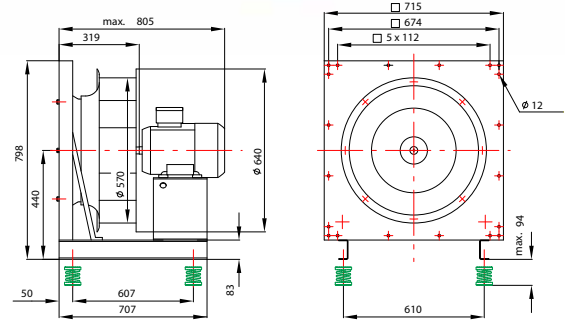
Technical Data according to ErP-REGULATION 327/2011/EU			
Overall efficiency (η _{se})	69,1 %	Flow rate (q _{v,opt})	11793 m³/h
Measurement category	A	Pressure (p _{s,opt})	1246 Pa
Efficiency category	static	Speed (N _{opt})	2010 min ⁻¹
Achieved efficiency grade (N _{ist})	71,5	Specific ratio (p ₂ /p ₁)	1,012
Speed control	has to be installed	Disposal/Recycling: Information on recycling and disposal is provided in the operating instruction.	
Year of manufacture	Is shown on the relevant rating plate for the product	Information on maintenance: Information on installation, operation and maintenance is provided in the operating instructions.	
Manufacturer	Nicotra Gebhardt GmbH, 74638 Waldenburg (Germany)	Additional components: The measurements do not use components which are not part of the fan.	
Type Model number	RLM E6-5056-43-21-N		
Motor input power (P _{e,opt})	5,91 kW		



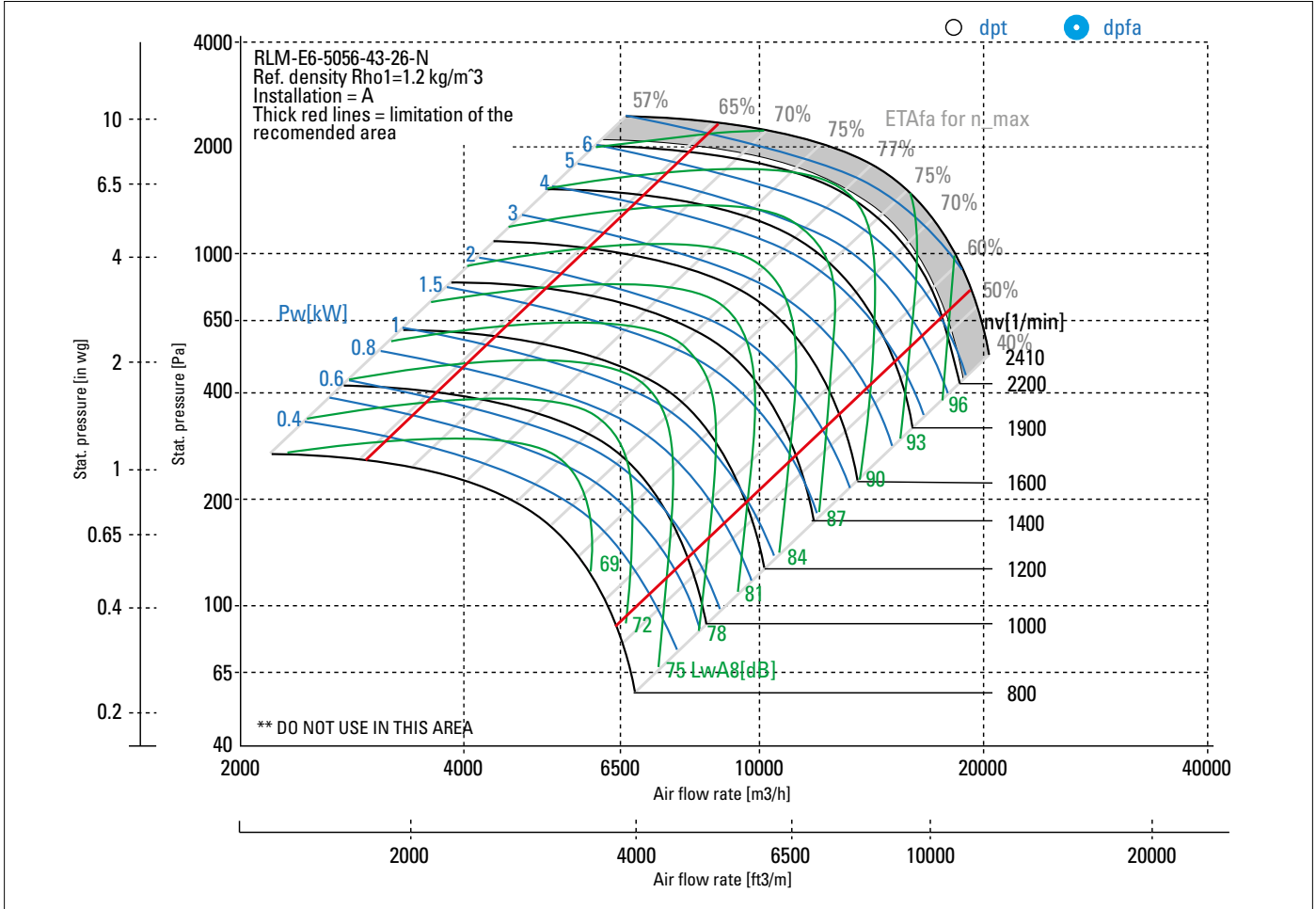
Description	Value	Dim.
Installation acc. DIN 24163 Part 1	A	
Reference density (Rho1)	1,2	kg/m ³
Medium temperature (t)	20	C
Fan weight (m) basic device without accessories	110	kg
Feed data		
Main's frequency (f _N)	50	Hz
Voltage (U _N)	400	V
Rated motor data		
Phases-Voltage-Frequency	3~400 D-50	V-Hz
Frame size-No of poles	132M / IE3-4	
Power (P _N)	7.5	kW
Speed (n _N)	1460	1/min
Current (I _N)	16,1	A
operational limits		
Max. fan speed (n _{vmax})	2220	1/min
Max. operating frequency (f _{max})	76	Hz
Temp. range for conveying medium (t _{min} ...t _{max})	-20...40	C



Technical Data according to ErP-REGULATION 327/2011/EU		
Overall efficiency (η _{se})	70,1 %	Flow rate (q _{v,opt})
Measurement category	A	13025 m ³ /h
Efficiency category	static	Pressure (p _{s,opt})
Achieved efficiency grade (N _{ist})	71,2	1521 Pa
Speed control	has to be installed	Speed (N _{opt})
Year of manufacture	Is shown on the relevant rating plate for the product	2220 min ⁻¹
Manufacturer	Nicotra Gebhardt GmbH, 74638 Waldenburg (Germany)	Specific ratio (p ₂ /p ₁)
Type Model number	RLM E6-5056-43-23-N	1,015
Motor input power (P _{e,opt})	7,85 kW	Disposal/Recycling: Information on recycling and disposal is provided in the operating instruction.
		Information on maintenance: Information on installation, operation and maintenance is provided in the operating instructions.
		Additional components: The measurements do not use components which are not part of the fan.



Description	Value	Dim.
Installation acc. DIN 24163 Part 1	A	
Reference density (Rho1)	1,2	kg/m ³
Medium temperature (t)	20	C
Fan weight (m) basic device without accessories	141	kg
Feed data		
Main's frequency (f _N)	50	Hz
Voltage (U _N)	400	V
Rated motor data		
Phases-Voltage-Frequency	3~400 D-50	V-Hz
Frame size-No of poles	160M / IE3-4	
Power (P _N)	11	kW
Speed (n _N)	1470	1/min
Current (I _N)	22,9	A
operational limits		
Max. fan speed (n _{v,max})	2410	1/min
Max. operating frequency (f _{max})	82	Hz
Temp. range for conveying medium (t _{min} ...t _{max})	-20...40	C



Technical Data according to ErP-REGULATION 327/2011/EU

Overall efficiency (η _{se})	71,1 %
Measurement category	A
Efficiency category	static
Achieved efficiency grade (N _{ist})	71,1
Speed control	has to be installed
Year of manufacture	Is shown on the relevant rating plate for the product
Manufacturer	Nicotra Gebhardt GmbH, 74638 Waldenburg (Germany)
Type Model number	RLM E6-5056-43-26-N
Motor input power (P _{e,opt})	9,90 kW

Flow rate (q _{v,opt})	14140 m ³ /h
Pressure (p _{sF,opt})	1792 Pa
Speed (N _{opt})	2410 min ⁻¹
Specific ratio (p ₂ /p ₁)	1,018
Disposal/Recycling:	Information on recycling and disposal is provided in the operating instruction.
Information on maintenance:	Information on installation, operation and maintenance is provided in the operating instructions.
Additional components:	The measurements do not use components which are not part of the fan.

Description

	Value	Dim.
Installation acc. DIN 24163 Part 1		A
Reference density (Rho1)	1,2	kg/m ³
Medium temperature (t)	20	C
Fan weight (m) basic device without accessories	113	kg

Feed data

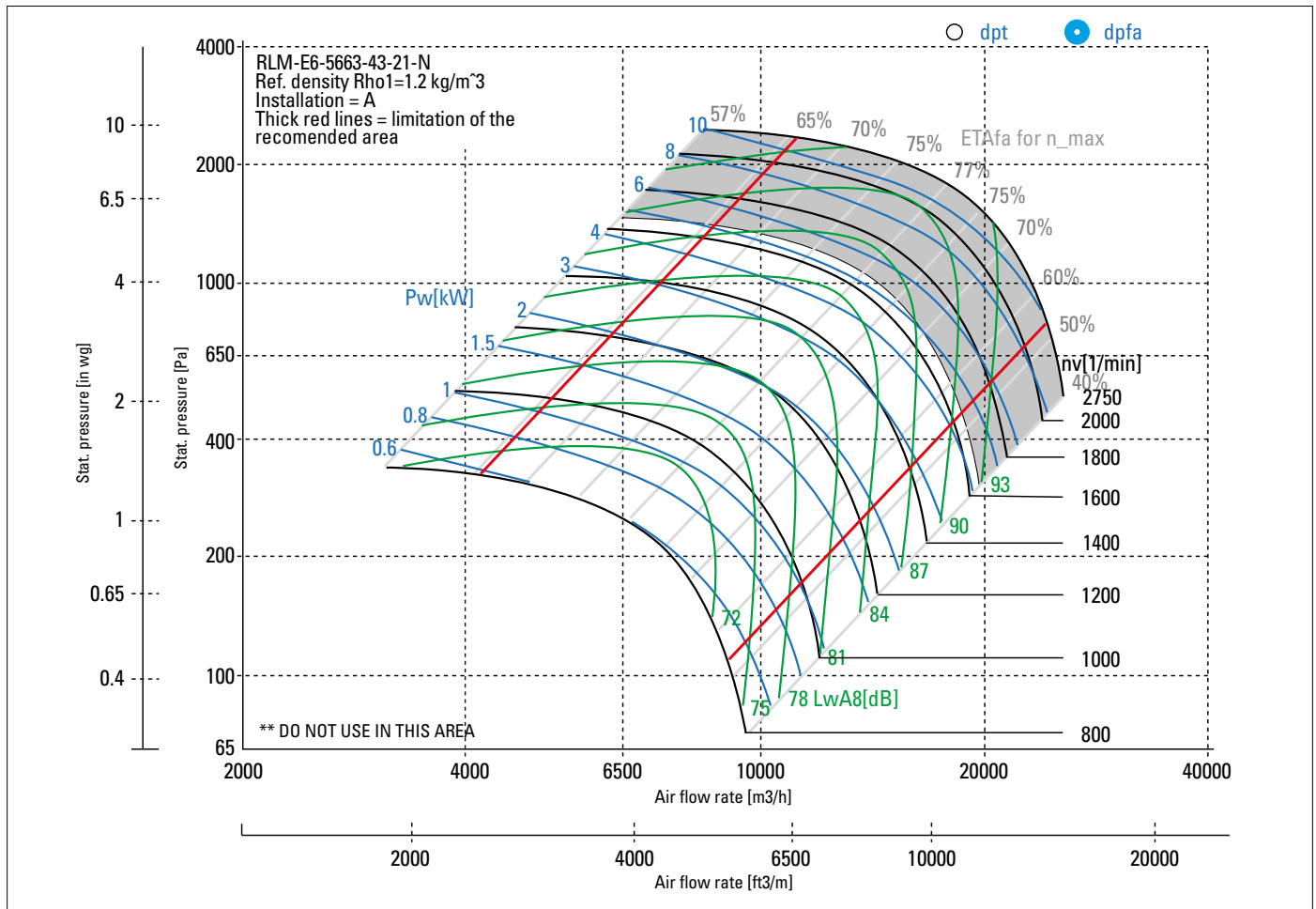
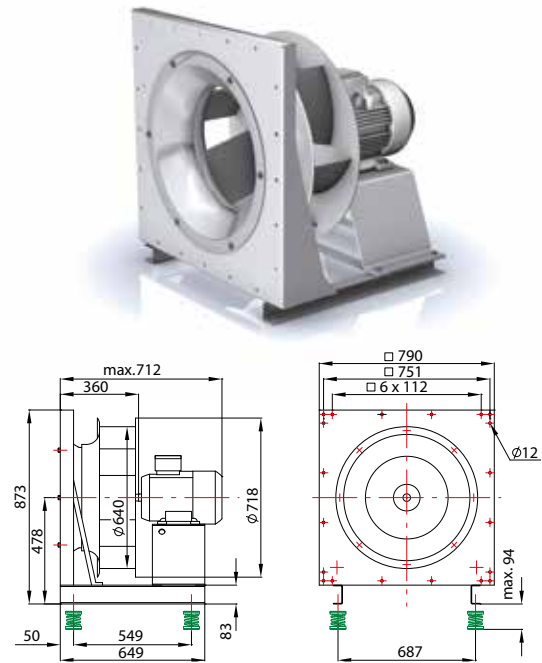
Main's frequency (f _N)	50	Hz
Voltage (U _N)	400	V

Rated motor data

Phases-Voltage-Frequency	3~400 D-50	V-Hz
Frame size-No of poles	132S / IE3-4	
Power (P _N)	5.5	kW
Speed (n _N)	1460	1/min
Current (I _N)	11,5	A

operational limits

Max. fan speed (n _{v_max})	1650	1/min
Max. operating frequency (f _{max})	56	Hz
Temp. range for conveying medium (t _{min} ...t _{max})	-20...40	C



Technical Data according to ErP-REGULATION 327/2011/EU

Overall efficiency (η _{se})	69,1 %
Measurement category	A
Efficiency category	static
Achieved efficiency grade (N _{ist})	71,6
Speed control	has to be installed
Year of manufacture	Is shown on the relevant rating plate for the product
Manufacturer	Nicotra Gebhardt GmbH, 74638 Waldenburg (Germany)
Type Model number	RLM E6-5663-43-21-N
Motor input power (P _{e,opt})	5,83 kW

Flow rate (q _{v,opt})	13703 m ³ /h
Pressure (p _{se,opt})	1059 Pa
Speed (N _{opt})	1650 min ⁻¹
Specific ratio (p ₂ /p ₁)	1,011
Disposal/Recycling:	Information on recycling and disposal is provided in the operating instruction.
Information on maintenance:	Information on installation, operation and maintenance is provided in the operating instructions.
Additional components:	The measurements do not use components which are not part of the fan.

Description

	Value	Dim.
Installation acc. DIN 24163 Part 1		A
Reference density (Rho1)	1,2	kg/m ³
Medium temperature (t)	20	C
Fan weight (m) basic device without accessories	120	kg

Feed data

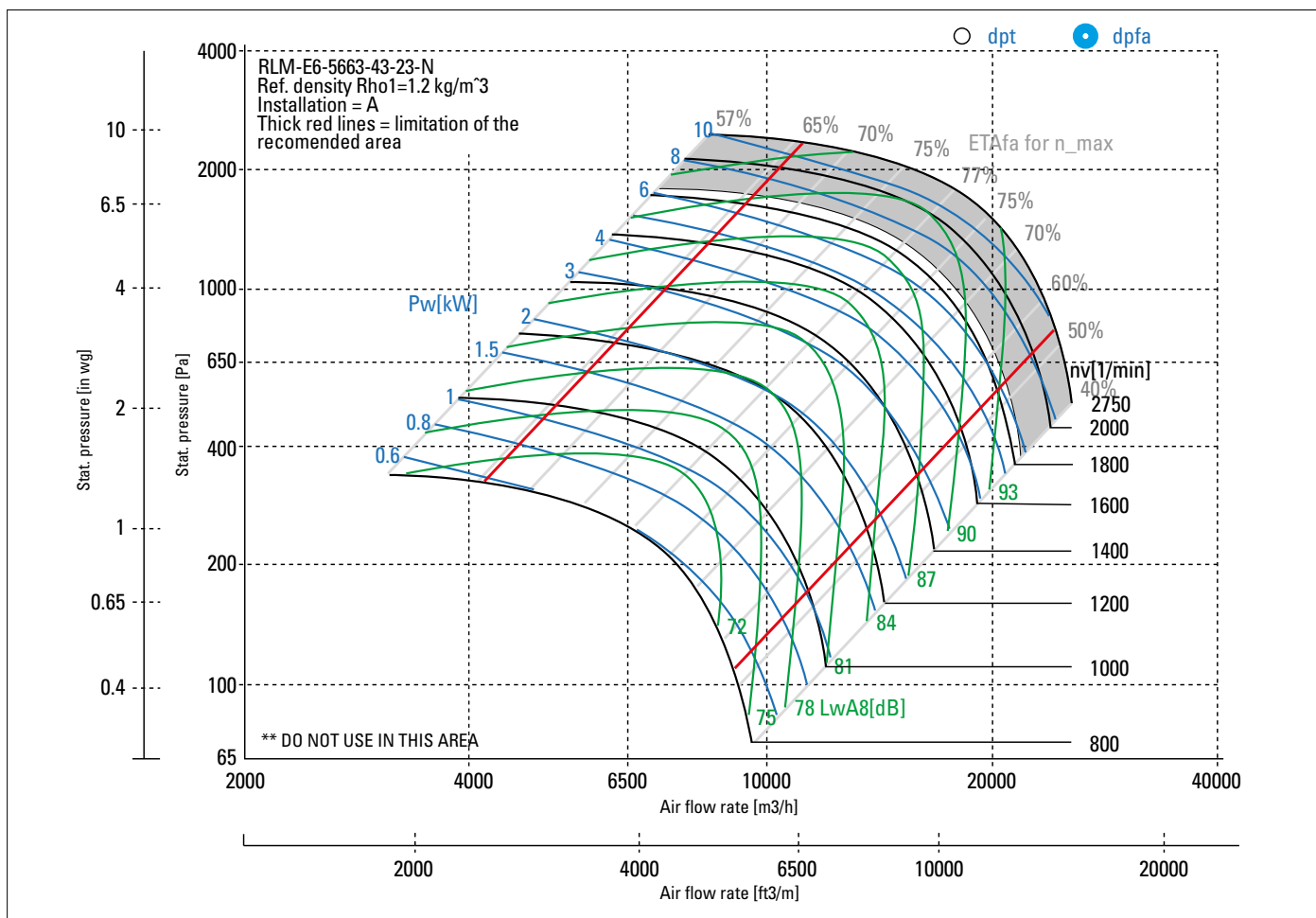
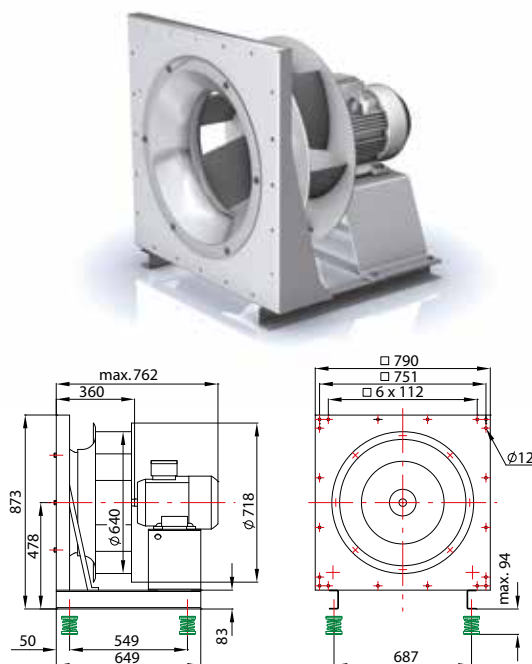
Main's frequency (f _N)	50	Hz
Voltage (U _N)	400	V

Rated motor data

Phases-Voltage-Frequency	3~400 D-50	V-Hz
Frame size-No of poles	132M / IE3-4	
Power (P _N)	7.5	kW
Speed (n _N)	1460	1/min
Current (I _N)	16,1	A

operational limits

Max. fan speed (n _{v_max})	1830	1/min
Max. operating frequency (f _{max})	62	Hz
Temp. range for conveying medium (t _{min} ...t _{max})	-20...40	C

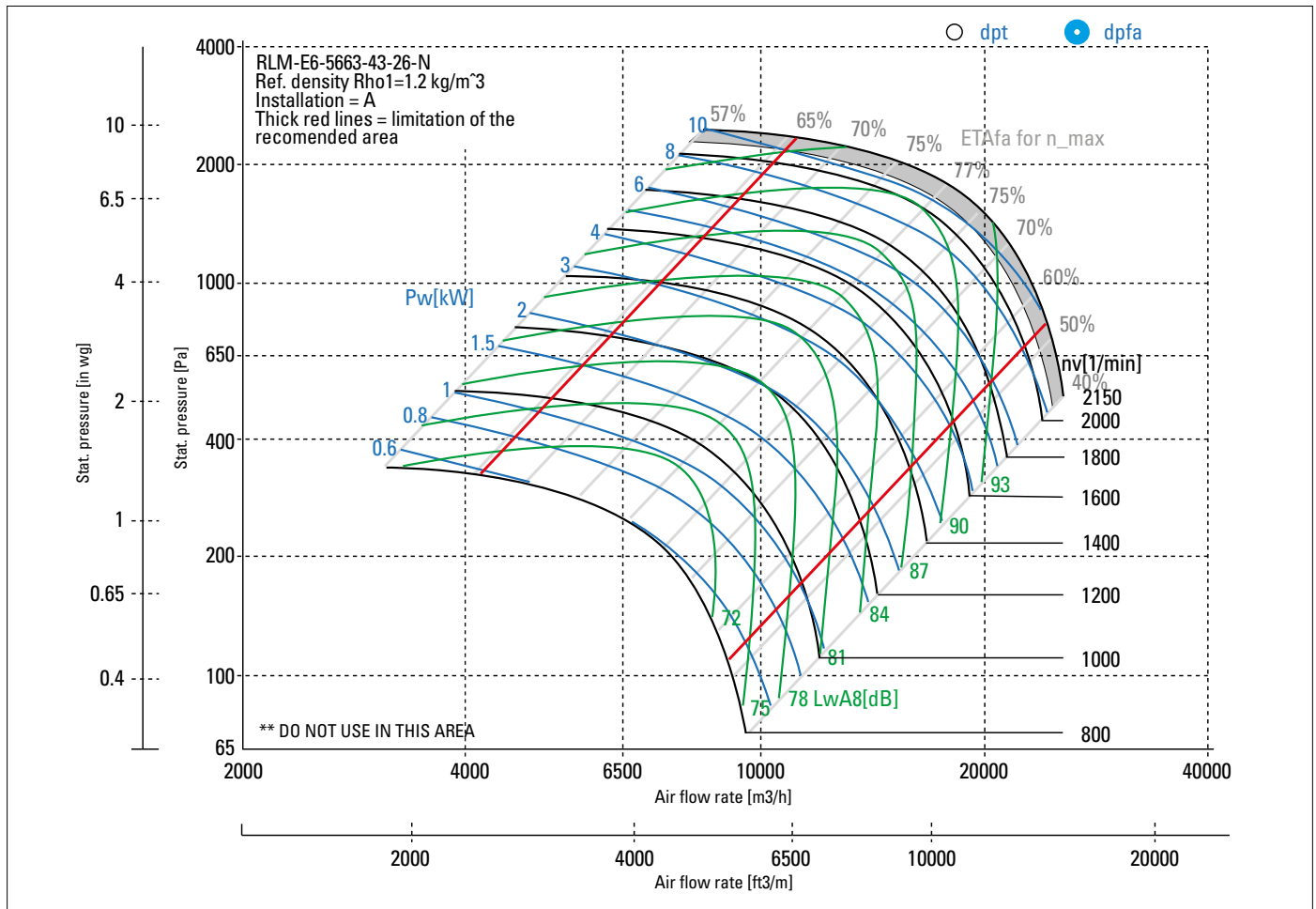
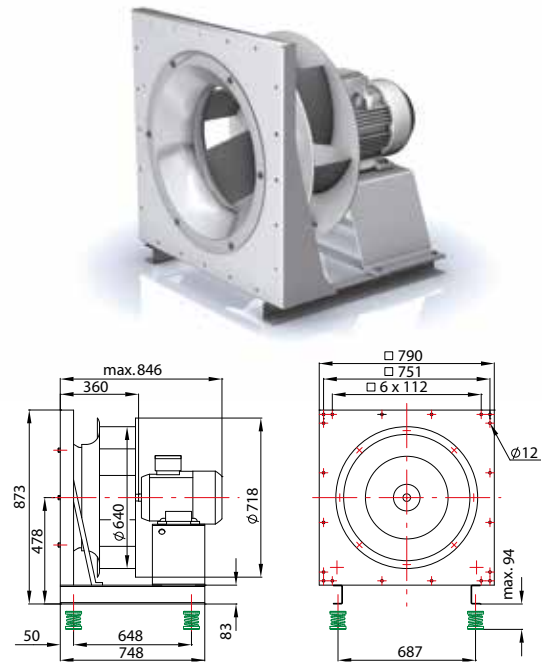


Technical Data according to ErP-REGULATION 327/2011/EU

Overall efficiency (η _{se})	70,1 %
Measurement category	A
Efficiency category	static
Achieved efficiency grade (N _{ist})	71,2
Speed control	has to be installed
Year of manufacture	Is shown on the relevant rating plate for the product
Manufacturer	Nicotra Gebhardt GmbH, 74638 Waldenburg (Germany)
Type Model number	RLM E6-5663-43-23-N
Motor input power (P _{e,opt})	7,84 kW

Flow rate (q _{v,opt})	15198 m3/h
Pressure (p _{se,opt})	1303 Pa
Speed (N _{opt})	1830 min-1
Specific ratio (p ₂ /p ₁)	1,013
Disposal/Recycling:	Information on recycling and disposal is provided in the operating instruction.
Information on maintenance:	Information on installation, operation and maintenance is provided in the operating instructions.
Additional components:	The measurements do not use components which are not part of the fan.

Description	Value	Dim.
Installation acc. DIN 24163 Part 1		A
Reference density (Rho1)	1,2	kg/m ³
Medium temperature (t)	20	C
Fan weight (m) basic device without accessories	151	kg
Feed data		
Main's frequency (f _N)	50	Hz
Voltage (U _N)	400	V
Rated motor data		
Phases-Voltage-Frequency	3~400 D-50	V-Hz
Frame size-No of poles	160M / IE3-4	
Power (P _N)	11	kW
Speed (n _N)	1470	1/min
Current (I _N)	22.9	A
operational limits		
Max. fan speed (n _{v_max})	2060	1/min
Max. operating frequency (f _{max})	70	Hz
Temp. range for conveying medium (t _{min} ...t _{max})	-20...40	C

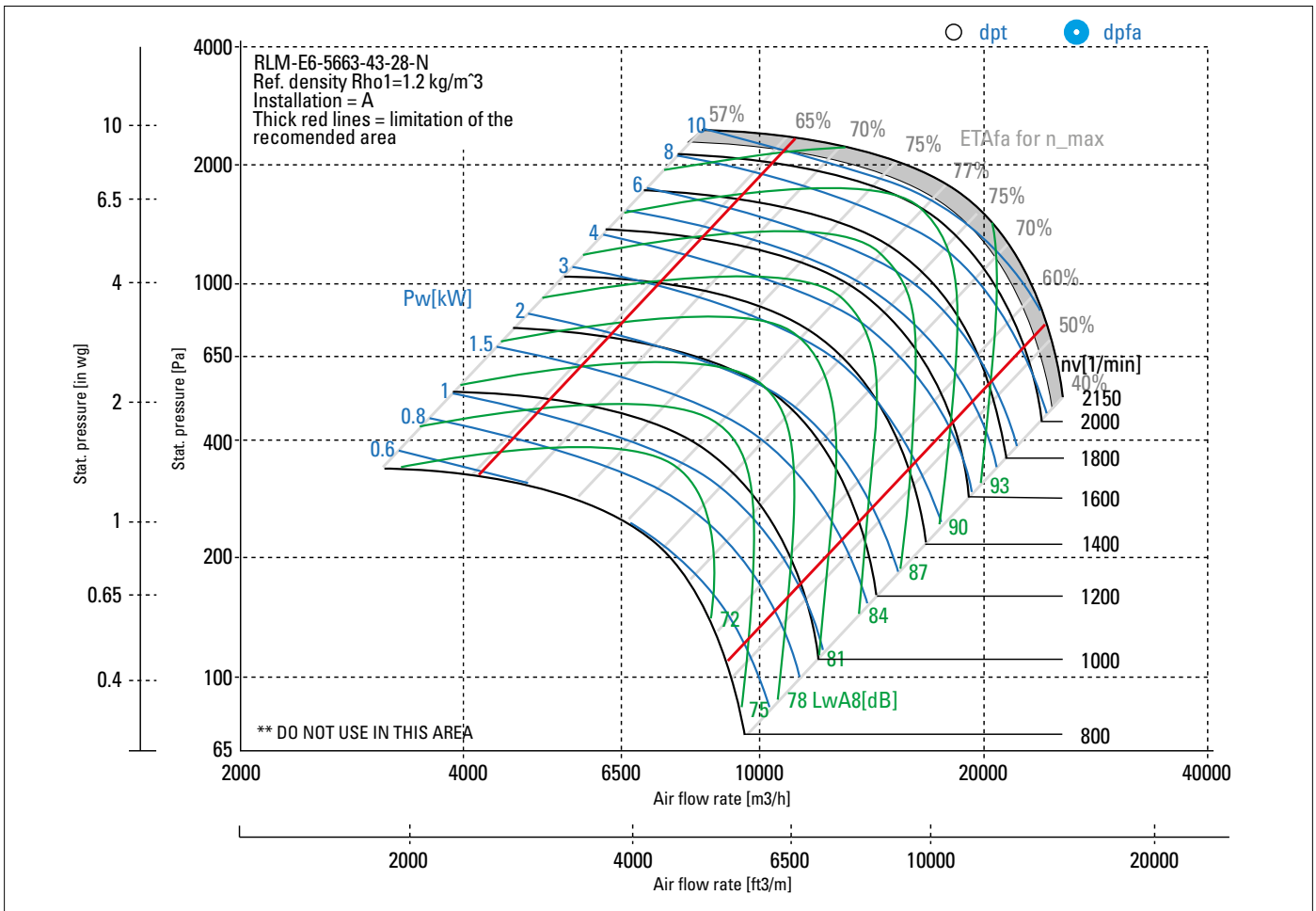
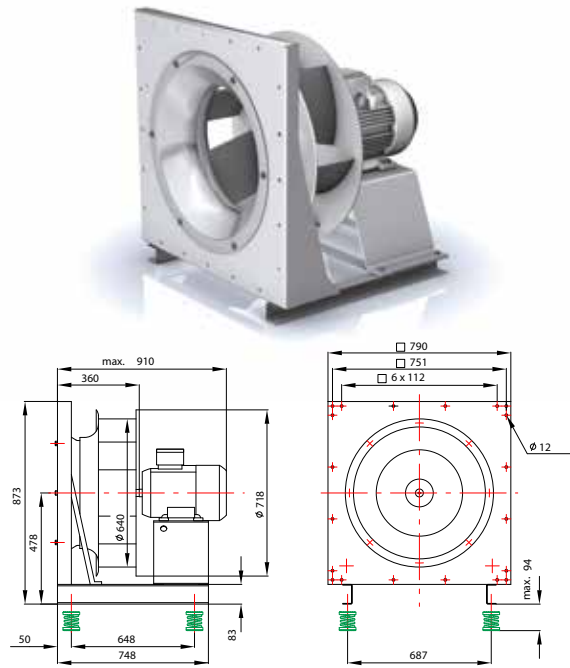


Technical Data according to ErP-REGULATION 327/2011/EU

Overall efficiency (η _{se})	70,8 %
Measurement category	A
Efficiency category	static
Achieved efficiency grade (N _{ist})	70,7
Speed control	has to be installed
Year of manufacture	Is shown on the relevant rating plate for the product
Manufacturer	Nicotra Gebhardt GmbH, 74638 Waldenburg (Germany)
Type Model number	RLM E6-5663-43-26-N
Motor input power (P _{e,opt})	11,1 kW

Flow rate (q _{v,opt})	17108 m ³ /h
Pressure (p _{f,opt})	1651 Pa
Speed (N _{opt})	2060 min ⁻¹
Specific ratio (p ₂ /p ₁)	1,017
Disposal/Recycling:	Information on recycling and disposal is provided in the operating instruction.
Information on maintenance:	Information on installation, operation and maintenance is provided in the operating instructions.
Additional components:	The measurements do not use components which are not part of the fan.

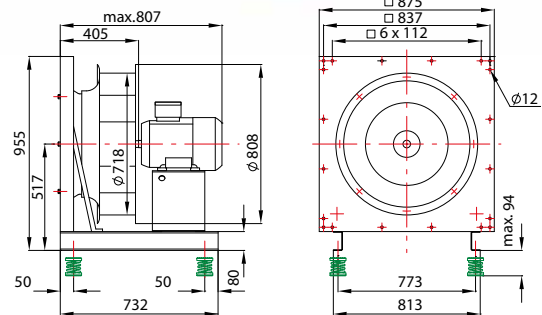
Description	Value	Dim.
Installation acc. DIN 24163 Part 1		A
Reference density (Rho1)	1,2	kg/m ³
Medium temperature (t)	20	C
Fan weight (m) basic device without accessories	195	kg
Feed data		
Main's frequency (f _N)	50	Hz
Voltage (U _N)	400	V
Rated motor data		
Phases-Voltage-Frequency	3~400 D-50	V-Hz
Frame size-No of poles	160L / IE3-4	
Power (P _N)	15	kW
Speed (n _N)	1470	1/min
Current (I _N)	29,5	A
operational limits		
Max. fan speed (n _{v_max})	2150	1/min
Max. operating frequency (f _{max})	73	Hz
Temp. range for conveying medium (t _{min} ...t _{max})	-20...40	C



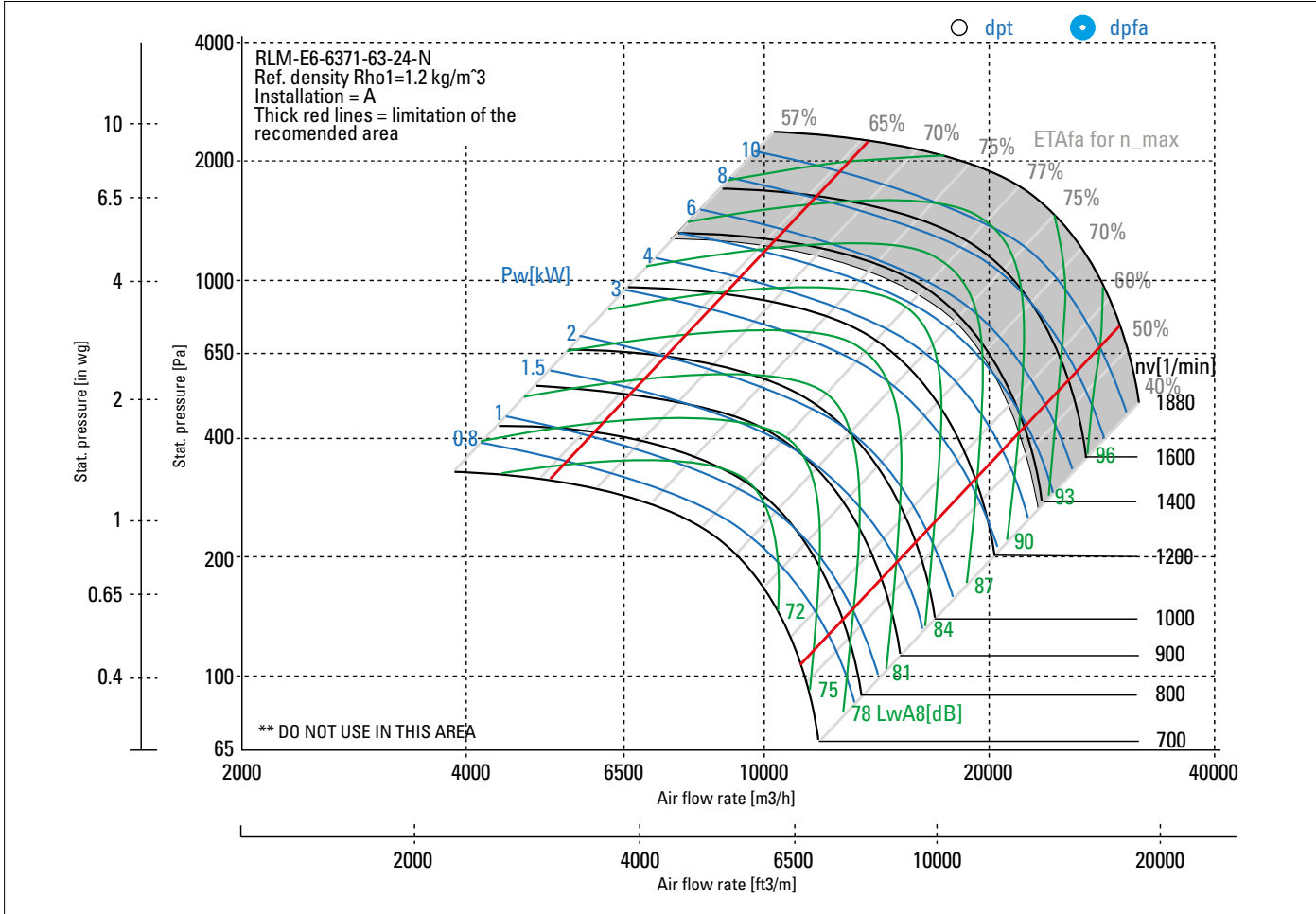
Technical Data according to ErP-REGULATION 327/2011/EU

Overall efficiency (η _{se})	72,0 %
Measurement category	A
Efficiency category	static
Achieved efficiency grade (N _{ist})	71,9
Speed control	has to be installed
Year of manufacture	Is shown on the relevant rating plate for the product
Manufacturer	Nicotra Gebhardt GmbH, 74638 Waldenburg (Germany)
Type Model number	RLM E6-5663-43-28-N
Motor input power (P _{e,opt})	12,4 kW

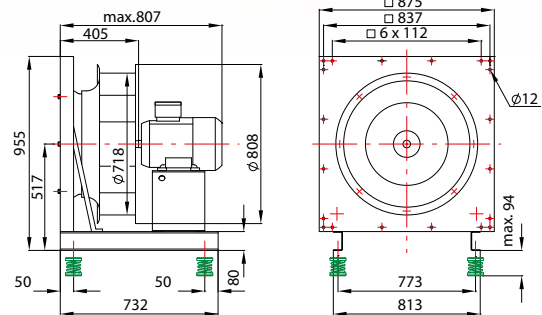
Flow rate (q _{v,opt})	17856 m ³ /h
Pressure (p _{s,opt})	1798 Pa
Speed (N _{opt})	2150 min ⁻¹
Specific ratio (p ₂ /p ₁)	1,018
Disposal/Recycling:	Information on recycling and disposal is provided in the operating instruction.
Information on maintenance:	Information on installation, operation and maintenance is provided in the operating instructions.
Additional components:	The measurements do not use components which are not part of the fan.



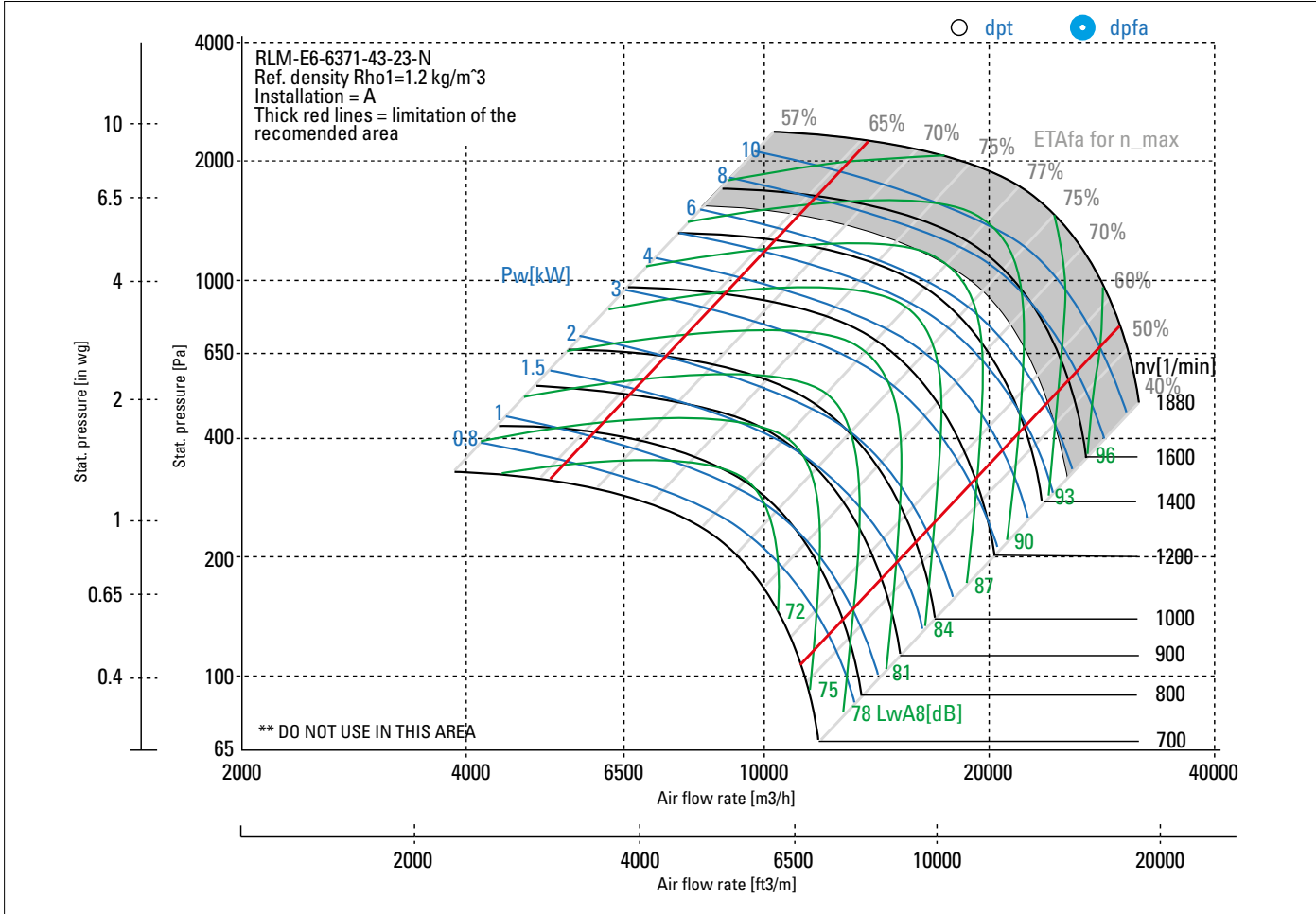
Description	Value	Dim.
Installation acc. DIN 24163 Part 1	A	
Reference density (Rho1)	1,2	kg/m ³
Medium temperature (t)	20	C
Fan weight (m) basic device without accessories	145	kg
Feed data		
Main's frequency (f _N)	50	Hz
Voltage (U _N)	400	V
Rated motor data		
Phases-Voltage-Frequency	3~400 D-50	V-Hz
Frame size-No of poles	132M / IE3-6	
Power (P _N)	5.5	kW
Speed (n _N)	960	1/min
Current (I _N)	12,3	A
operational limits		
Max. fan speed (n _{max})	1370	1/min
Max. operating frequency (f _{max})	71	Hz
Temp. range for conveying medium (t _{min} ...t _{max})	-20...40	C



Technical Data according to ErP-REGULATION 327/2011/EU		
Overall efficiency (η _{se})	67,8 %	Flow rate (q _{v,opt})
Measurement category	A	16066 m3/h
Efficiency category	static	Pressure (p _{sf,opt})
Achieved efficiency grade (N _{ist})	70,1	919 Pa
Speed control	has to be installed	Speed (N _{opt})
Year of manufacture	Is shown on the relevant rating plate for the product	1370 min-1
Manufacturer	Nicotra Gebhardt GmbH, 74638 Waldenburg (Germany)	Specific ratio (p ₂ /p ₁)
Type Model number	RLM E6-6371-63-24-N	1,009
Motor input power (P _{e,opt})	6,05 kW	Disposal/Recycling: Information on recycling and disposal is provided in the operating instruction.
		Information on maintenance: Information on installation, operation and maintenance is provided in the operating instructions.
		Additional components: The measurements do not use components which are not part of the fan.



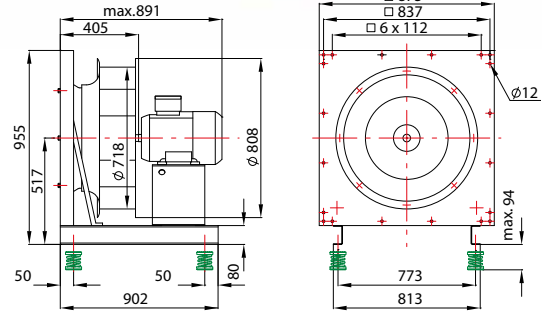
Description	Value	Dim.
Installation acc. DIN 24163 Part 1	A	
Reference density (Rho1)	1,2	kg/m ³
Medium temperature (t)	20	C
Fan weight (m) basic device without accessories	144	kg
Feed data		
Main's frequency (f _N)	50	Hz
Voltage (U _N)	400	V
Rated motor data		
Phases-Voltage-Frequency	3~400 D-50	V-Hz
Frame size-No of poles	132M / IE3-4	
Power (P _N)	7.5	kW
Speed (n _N)	1460	1/min
Current (I _N)	16,1	A
operational limits		
Max. fan speed (n _{max})	1500	1/min
Max. operating frequency (f _{max})	51	Hz
Temp. range for conveying medium (t _{min} ...t _{max})	-20...40	C



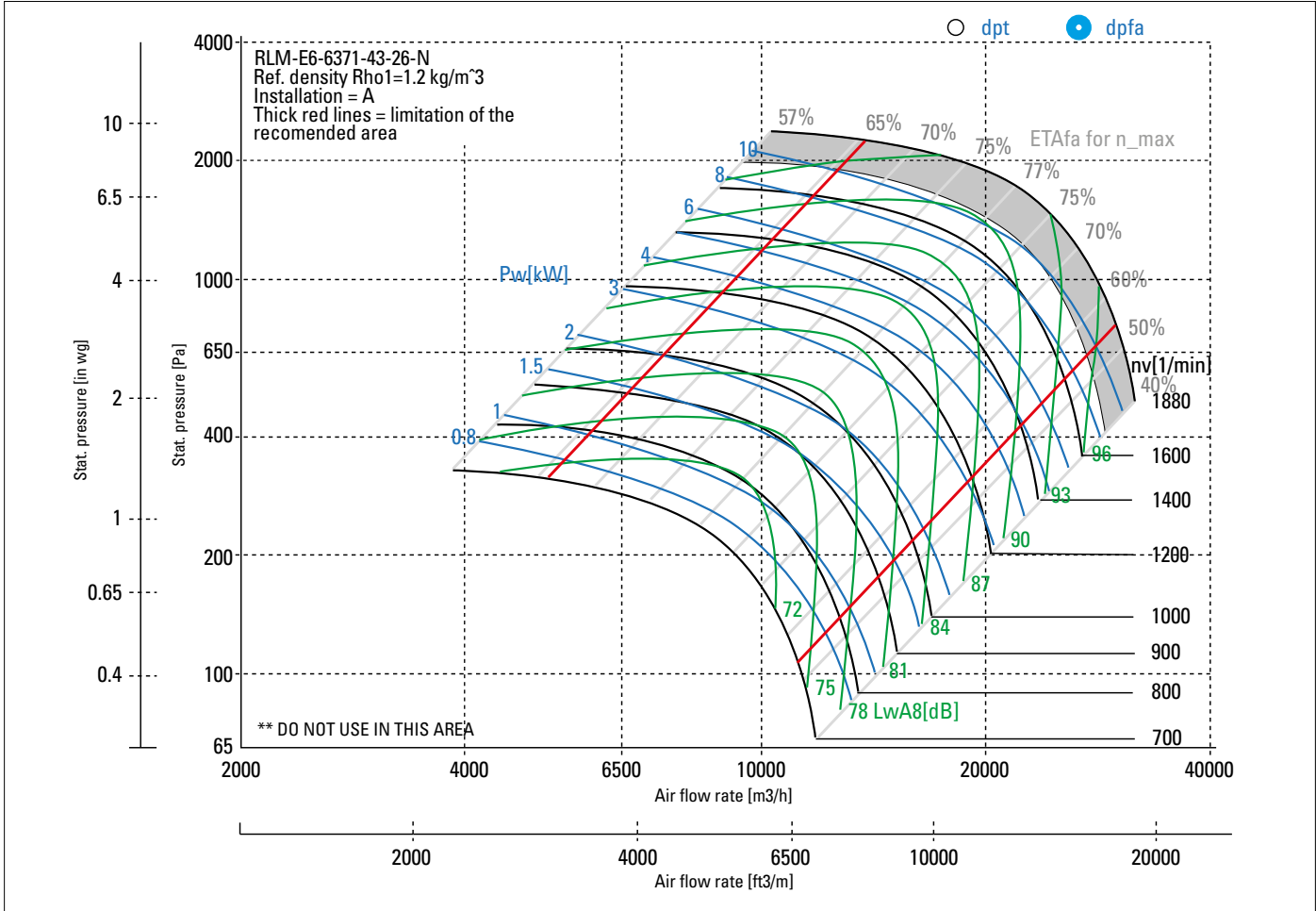
Technical Data according to ErP-REGULATION 327/2011/EU

Overall efficiency (η _{se})	70,2 %
Measurement category	A
Efficiency category	static
Achieved efficiency grade (N _{ist})	71,4
Speed control	has to be installed
Year of manufacture	Is shown on the relevant rating plate for the product
Manufacturer	Nicotra Gebhardt GmbH, 74638 Waldenburg (Germany)
Type Model number	RLM E6-6371-43-23-N
Motor input power (P _{e,opt})	7,66 kW

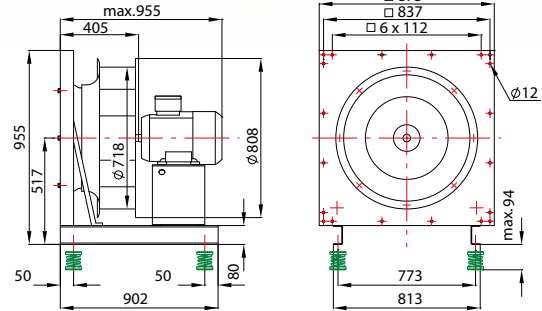
Flow rate (q _{v,opt})	17590 m3/h
Pressure (p _{sf,opt})	1101 Pa
Speed (N _{opt})	1500 min-1
Specific ratio (p ₂ /p ₁)	1,011
Disposal/Recycling:	Information on recycling and disposal is provided in the operating instruction.
Information on maintenance:	Information on installation, operation and maintenance is provided in the operating instructions.
Additional components:	The measurements do not use components which are not part of the fan.



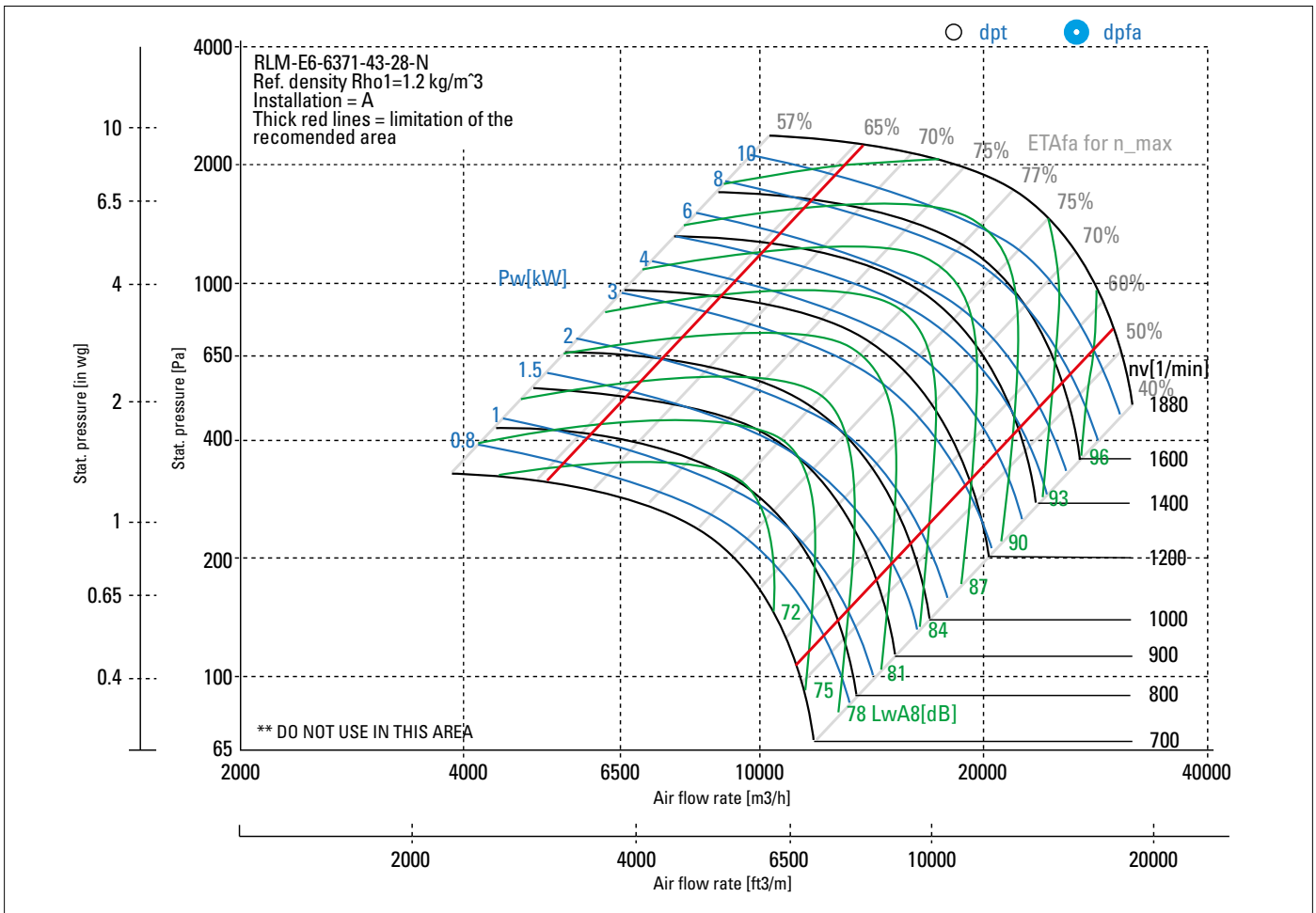
Description	Value	Dim.
Installation acc. DIN 24163 Part 1	A	
Reference density (Rho1)	1,2	kg/m ³
Medium temperature (t)	20	C
Fan weight (m) basic device without accessories	169	kg
Feed data		
Main's frequency (f _N)	50	Hz
Voltage (U _N)	400	V
Rated motor data		
Phases-Voltage-Frequency	3~400 D-50	V-Hz
Frame size-No of poles	160M / IE3-4	
Power (P _N)	11	kW
Speed (n _N)	1470	1/min
Current (I _N)	22,9	A
operational limits		
Max. fan speed (n _{v_max})	1710	1/min
Max. operating frequency (f _{max})	58	Hz
Temp. range for conveying medium (t _{min} ...t _{max})	-20...40	C



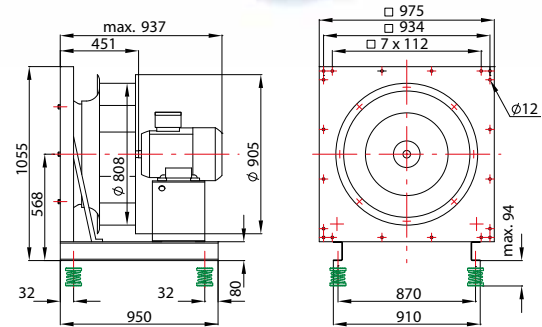
Technical Data according to ErP-REGULATION 327/2011/EU		
Overall efficiency (η _{se})	70,7 %	Flow rate (q _{v,opt})
Measurement category	A	20053 m3/h
Efficiency category	static	Pressure (p _{sf,opt})
Achieved efficiency grade (N _{ist})	70,6	1431 Pa
Speed control	has to be installed	Speed (N _{opt})
Year of manufacture	Is shown on the relevant rating plate for the product	1710 min-1
Manufacturer	Nicotra Gebhardt GmbH, 74638 Waldenburg (Germany)	Specific ratio (p ₂ /p ₁)
Type Model number	RLM E6-6371-43-26-N	1,014
Motor input power (P _{e,opt})	11,3 kW	Disposal/Recycling: Information on recycling and disposal is provided in the operating instruction.
		Information on maintenance: Information on installation, operation and maintenance is provided in the operating instructions.
		Additional components: The measurements do not use components which are not part of the fan.



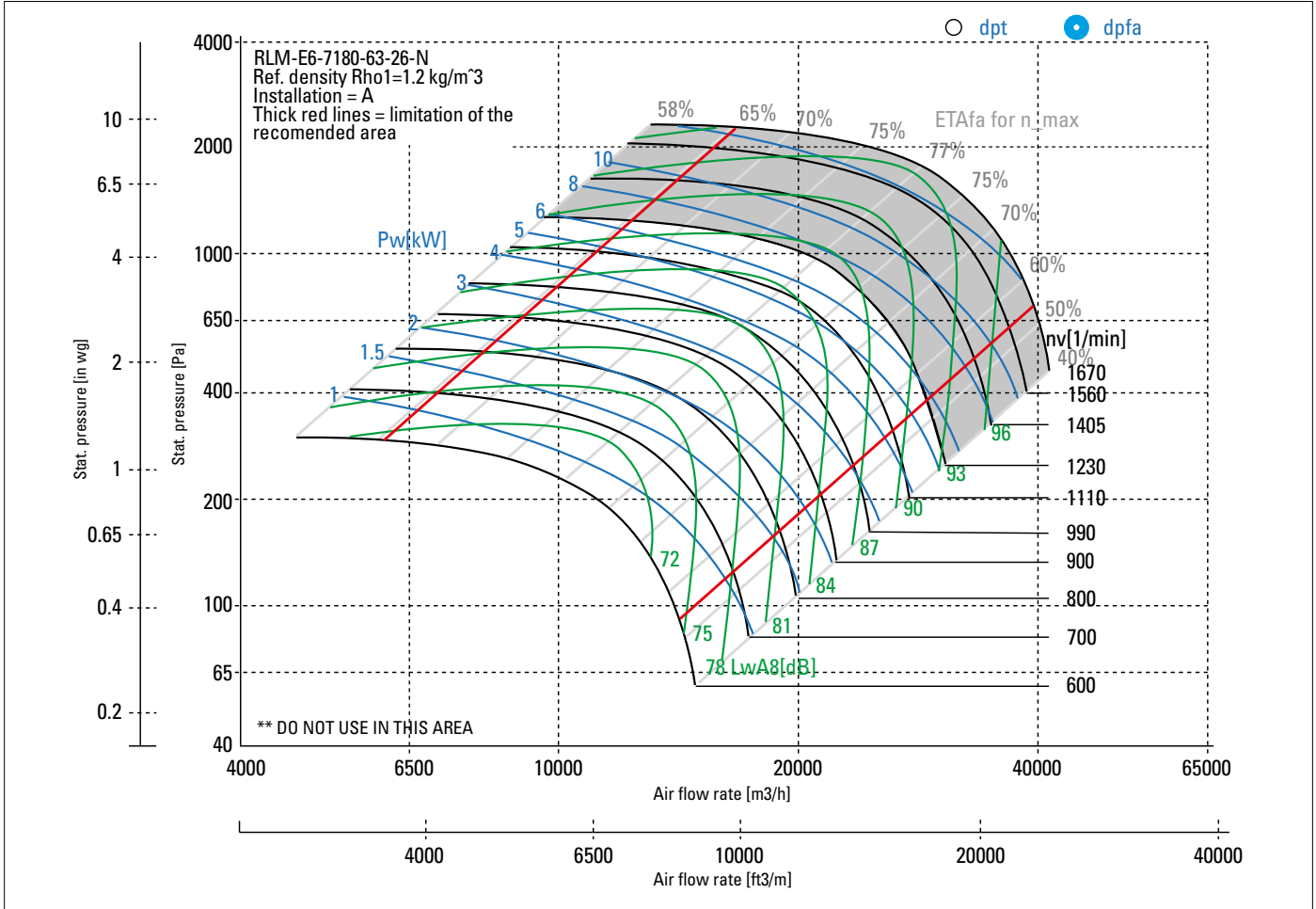
Description	Value	Dim.
Installation acc. DIN 24163 Part 1	A	
Reference density (Rho1)	1,2	kg/m ³
Medium temperature (t)	20	C
Fan weight (m) basic device without accessories	204	kg
Feed data		
Main's frequency (f _N)	50	Hz
Voltage (U _N)	400	V
Rated motor data		
Phases-Voltage-Frequency	3~400 D-50	V-Hz
Frame size-No of poles	160L / IE3-4	
Power (P _N)	15	kW
Speed (n _N)	1470	1/min
Current (I _N)	29.5	A
operational limits		
Max. fan speed (n _{v_max})	1880	1/min
Max. operating frequency (f _{max})	64	Hz
Temp. range for conveying medium (t _{min} ...t _{max})	-20...40	C



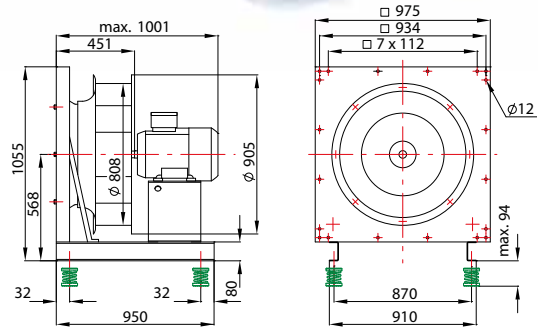
Technical Data according to ErP-REGULATION 327/2011/EU		
Overall efficiency (η _{se})	71,6 %	Flow rate (q _{v,opt})
Measurement category	A	22046 m3/h
Efficiency category	static	Pressure (p _{sf,opt})
Achieved efficiency grade (N _{ist})	71,3	1730 Pa
Speed control	has to be installed	Speed (N _{opt})
Year of manufacture	Is shown on the relevant rating plate for the product	1880 min-1
Manufacturer	Nicotra Gebhardt GmbH, 74638 Waldenburg (Germany)	Specific ratio (p ₂ /p ₁)
Type Model number	RLM E6-6371-43-28-N	1,017
Motor input power (P _{e,opt})	14,8 kW	Disposal/Recycling: Information on recycling and disposal is provided in the operating instruction.
		Information on maintenance: Information on installation, operation and maintenance is provided in the operating instructions.
		Additional components: The measurements do not use components which are not part of the fan.



Description	Value	Dim.
Installation acc. DIN 24163 Part 1	A	
Reference density (Rho1)	1,2	kg/m ³
Medium temperature (t)	20	C
Fan weight (m) basic device without accessories	203	kg
Feed data		
Main's frequency (f _N)	50	Hz
Voltage (U _N)	400	V
Rated motor data		
Phases-Voltage-Frequency	3~400 D-50	V-Hz
Frame size-No of poles	160M / IE3-6	
Power (P _N)	7.5	kW
Speed (n _N)	970	1/min
Current (I _N)	16,4	A
operational limits		
Max. fan speed (n _{vmax})	1230	1/min
Max. operating frequency (f _{max})	63	Hz
Temp. range for conveying medium (t _{min} ...t _{max})	-20...40	C



Technical Data according to ErP-REGULATION 327/2011/EU		
Overall efficiency (η _{se})	69,0 %	Flow rate (q _{v,opt})
Measurement category	A	Pressure (p _{s,opt})
Efficiency category	static	Speed (N _{opt})
Achieved efficiency grade (N _{ist})	69,9	Specific ratio (p ₂ /p ₁)
Speed control	has to be installed	Disposal/Recycling: Information on recycling and disposal is provided in the operating instruction.
Year of manufacture	Is shown on the relevant rating plate for the product	Information on maintenance: Information on installation, operation and maintenance is provided in the operating instructions.
Manufacturer	Nicotra Gebhardt GmbH, 74638 Waldenburg (Germany)	Additional components: The measurements do not use components which are not part of the fan.
Type Model number	RLM E6-7180-63-26-N	
Motor input power (P _{e,opt})	8,14 kW	



Description

	Value	Dim.
Installation acc. DIN 24163 Part 1		A
Reference density (Rho1)	1,2	kg/m ³
Medium temperature (t)	20	C
Fan weight (m) basic device without accessories	213	kg

Feed data

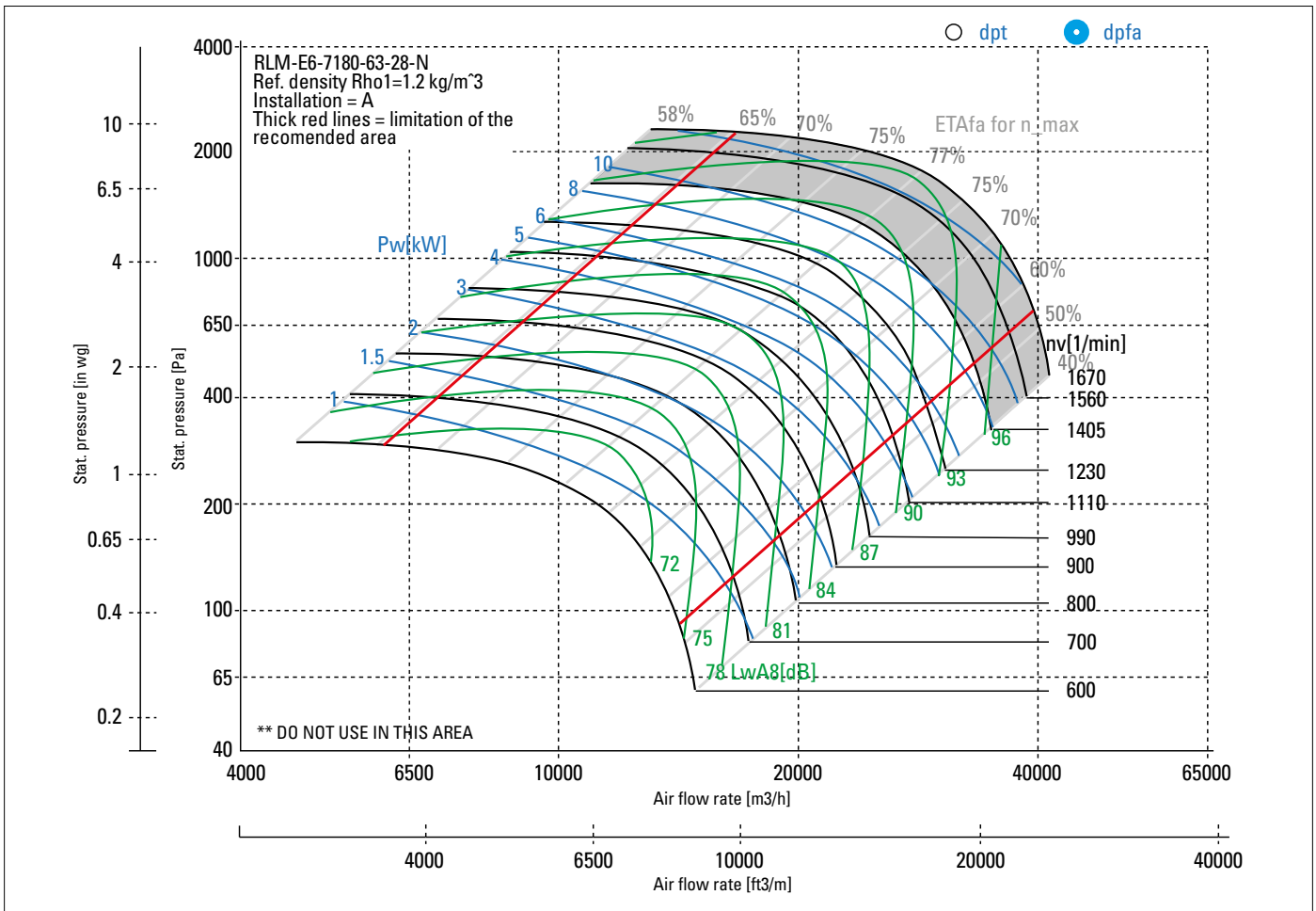
Main's frequency (f _N)	50	Hz
Voltage (U _N)	400	V

Rated motor data

Phases-Voltage-Frequency	3~400 D-50	V-Hz
Frame size-No of poles	160L / IE3-6	
Power (P _N)	11	kW
Speed (n _N)	975	1/min
Current (I _N)	25,0	A

operational limits

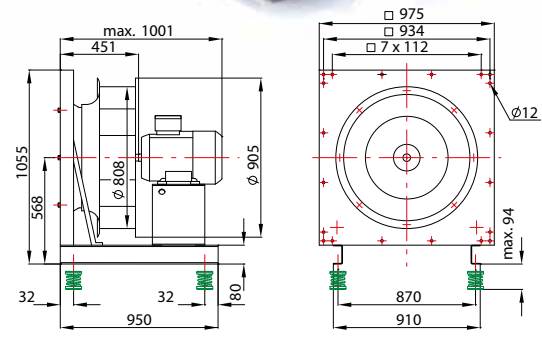
Max. fan speed (n _{max})	1405	1/min
Max. operating frequency (f _{max})	72	Hz
Temp. range for conveying medium (t _{min} ...t _{max})	-20...40	C



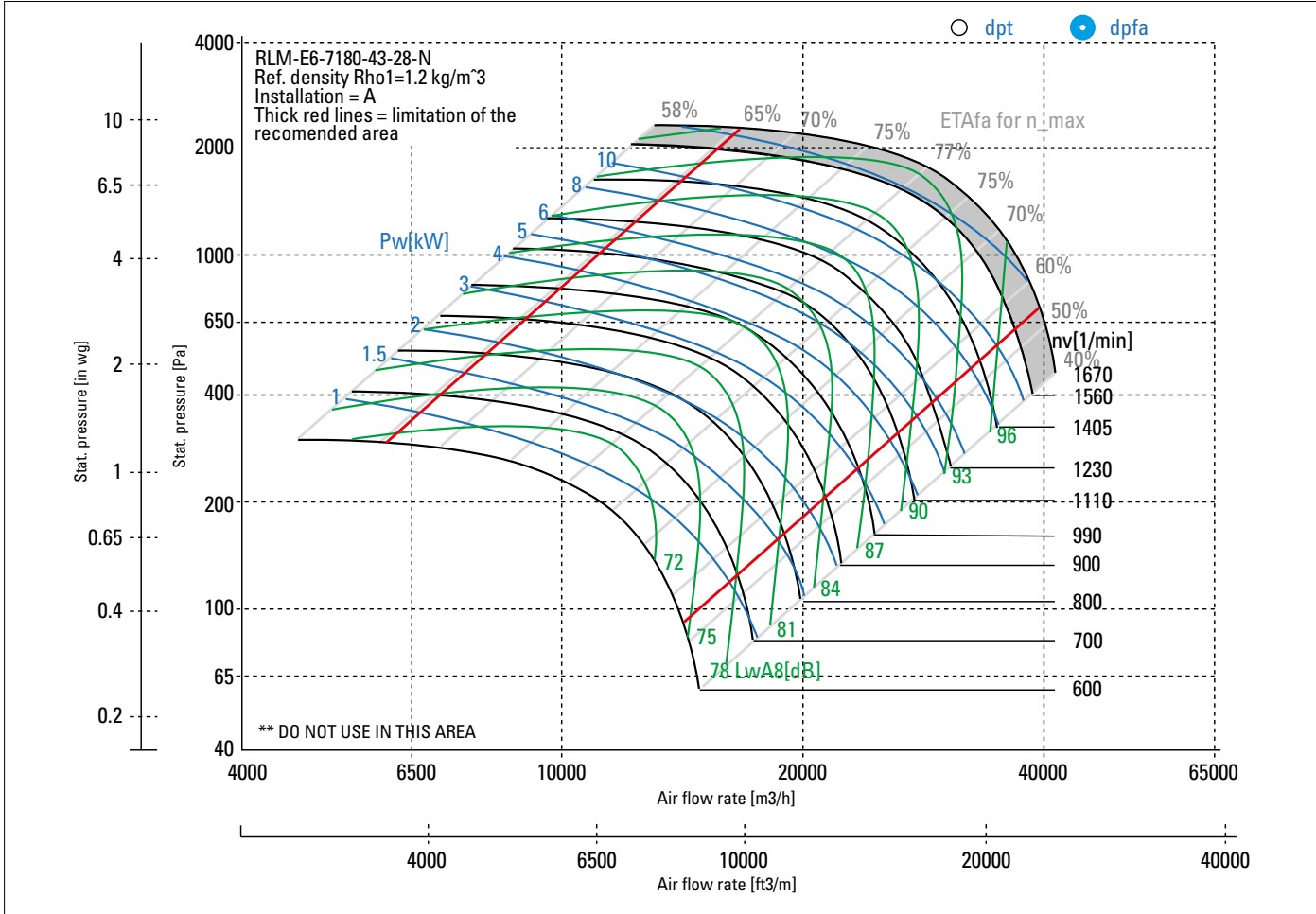
Technical Data according to ErP-REGULATION 327/2011/EU

Overall efficiency (η _{se})	69,6 %
Measurement category	A
Efficiency category	static
Achieved efficiency grade (N _{ist})	69,5
Speed control	has to be installed
Year of manufacture	Is shown on the relevant rating plate for the product
Manufacturer	Nicotra Gebhardt GmbH, 74638 Waldenburg (Germany)
Type Model number	RLM E6-7180-63-28-N
Motor input power (P _{e,opt})	12,0 kW

Flow rate (q _{v,opt})	24030 m ³ /h
Pressure (p _{s,opt})	1254 Pa
Speed (N _{opt})	1405 min ⁻¹
Specific ratio (p ₂ /p ₁)	1,013
Disposal/Recycling: Information on recycling and disposal is provided in the operating instruction.	
Information on maintenance: Information on installation, operation and maintenance is provided in the operating instructions.	
Additional components: The measurements do not use components which are not part of the fan.	



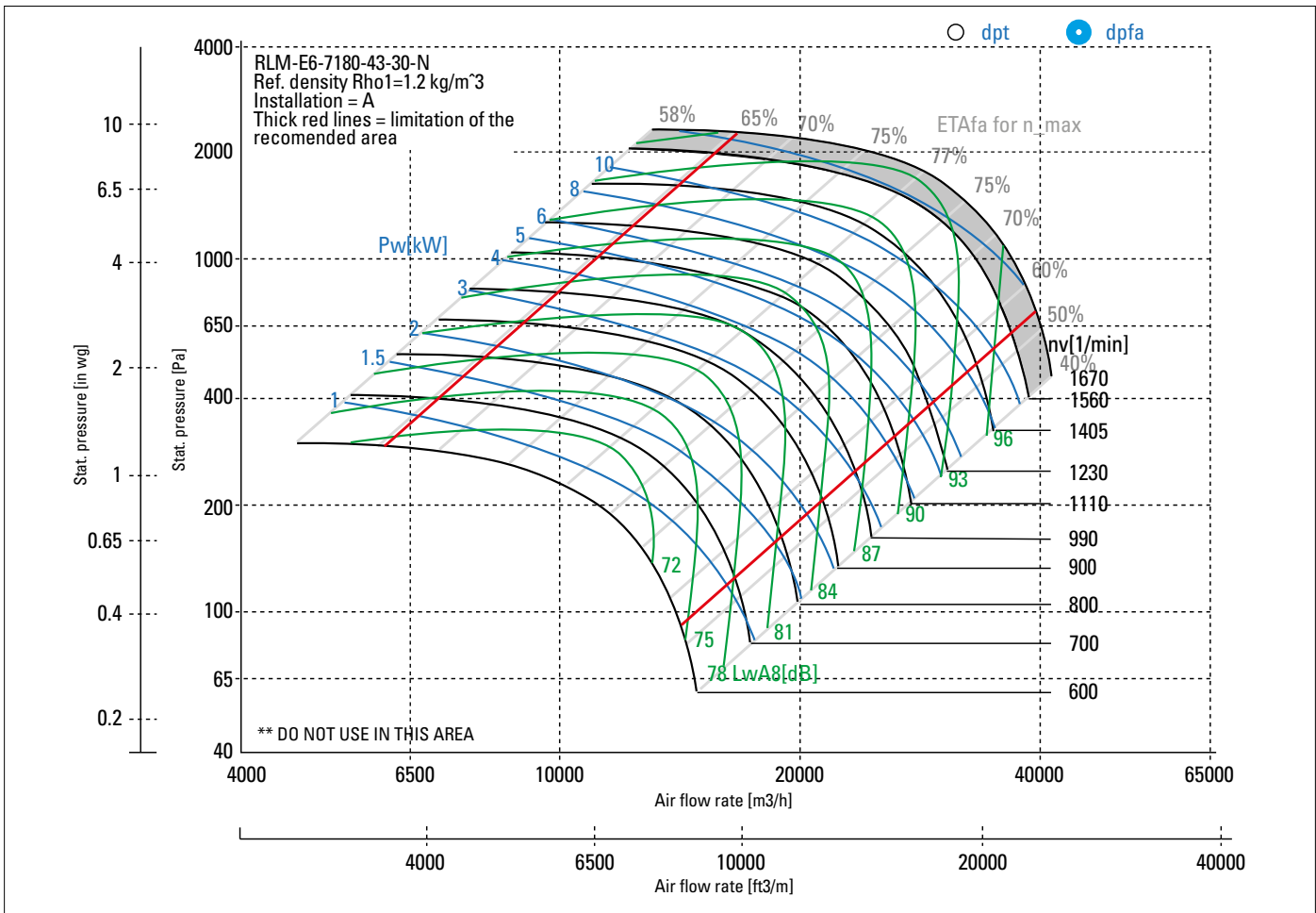
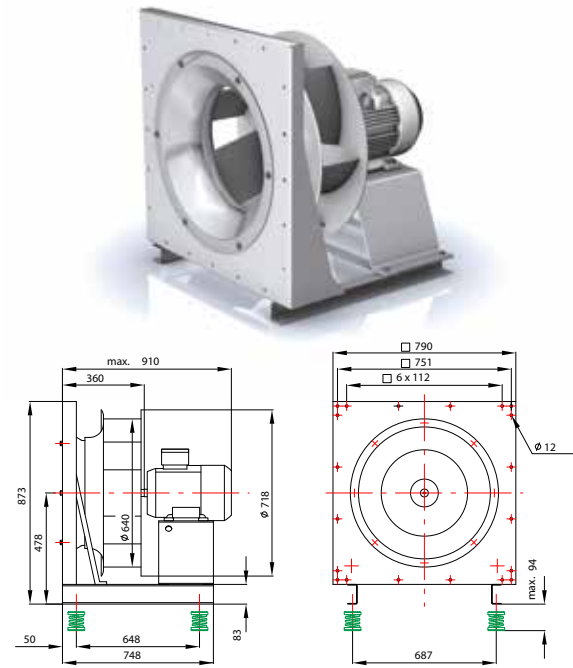
Description	Value	Dim.
Installation acc. DIN 24163 Part 1	A	
Reference density (Rho1)	1,2	kg/m ³
Medium temperature (t)	20	C
Fan weight (m) basic device without accessories	223	kg
Feed data		
Main's frequency (f _N)	50	Hz
Voltage (U _N)	400	V
Rated motor data		
Phases-Voltage-Frequency	3~400 D-50	V-Hz
Frame size-No of poles	160L / IE3-4	
Power (P _N)	15	kW
Speed (n _N)	1470	1/min
Current (I _N)	29.5	A
operational limits		
Max. fan speed (n _{v,max})	1560	1/min
Max. operating frequency (f _{max})	53	Hz
Temp. range for conveying medium (t _{min} ...t _{max})	-20...40	C



Technical Data according to ErP-REGULATION 327/2011/EU	
Overall efficiency (η _{se})	71,3 %
Measurement category	A
Efficiency category	static
Achieved efficiency grade (N _{ist})	70,8
Speed control	has to be installed
Year of manufacture	Is shown on the relevant rating plate for the product
Manufacturer	Nicotra Gebhardt GmbH, 74638 Waldenburg (Germany)
Type Model number	RLM E6-7180-43-28-N
Motor input power (P _{e,opt})	16,1 kW

Flow rate (q _{v,opt})	26680 m ³ /h
Pressure (p _{sF,opt})	1546 Pa
Speed (N _{opt})	1560 min ⁻¹
Specific ratio (p ₂ /p ₁)	1,015
Disposal/Recycling: Information on recycling and disposal is provided in the operating instruction.	
Information on maintenance: Information on installation, operation and maintenance is provided in the operating instructions.	
Additional components: The measurements do not use components which are not part of the fan.	

Description	Value	Dim.
Installation acc. DIN 24163 Part 1		A
Reference density (Rho1)	1,2	kg/m ³
Medium temperature (t)	20	C
Fan weight (m) basic device without accessories	274	kg
Feed data		
Main's frequency (f _N)	50	Hz
Voltage (U _N)	400	V
Rated motor data		
Phases-Voltage-Frequency	3~400 D-50	V-Hz
Frame size-No of poles	180M / IE3-6	
Power (P _N)	18,5	kW
Speed (n _N)	1475	1/min
Current (I _N)	35,9	A
operational limits		
Max. fan speed (n _{vmax})	1670	1/min
Max. operating frequency (f _{max})	56	Hz
Temp. range for conveying medium (t _{min} ...t _{max})	-20...40	C

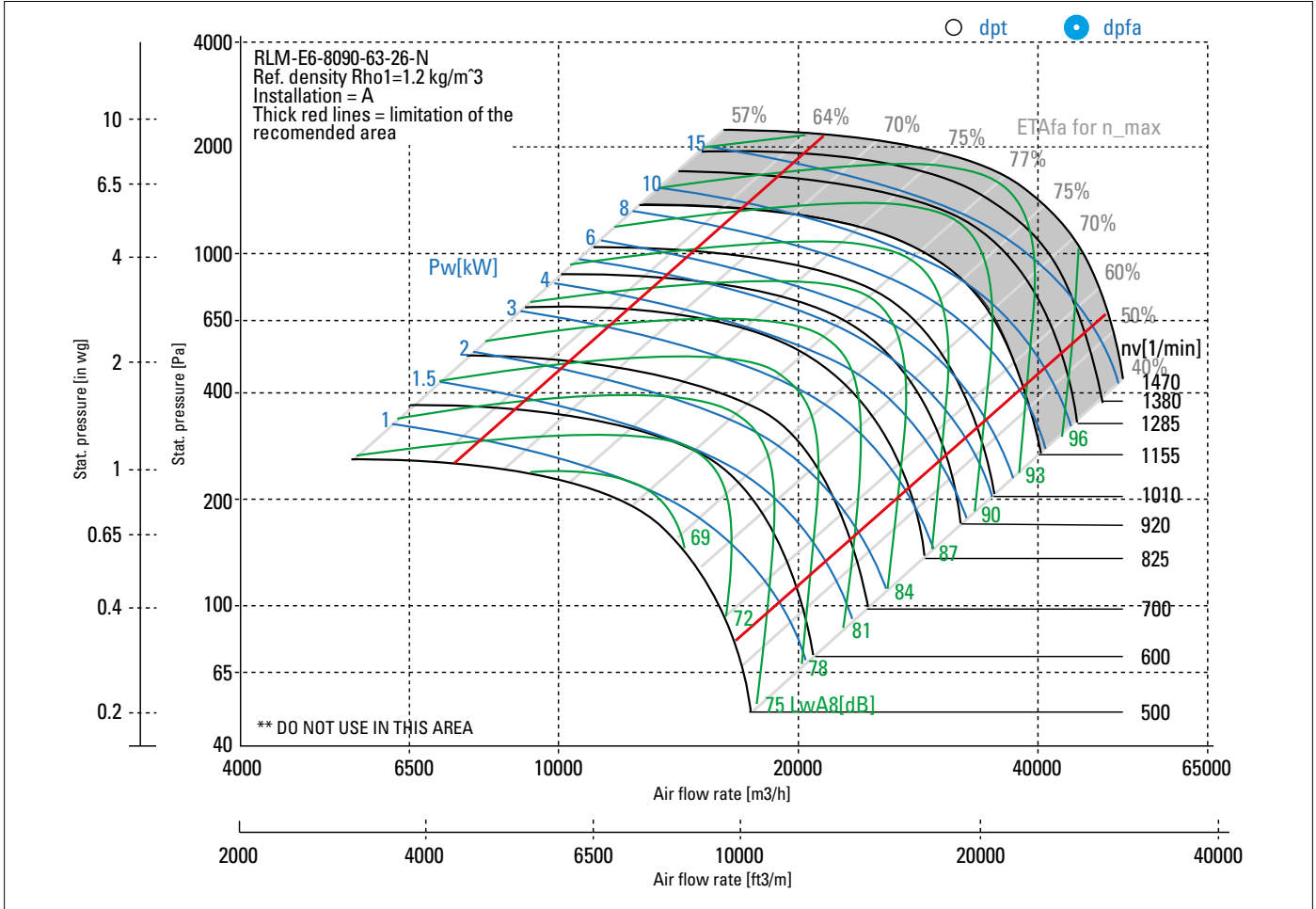
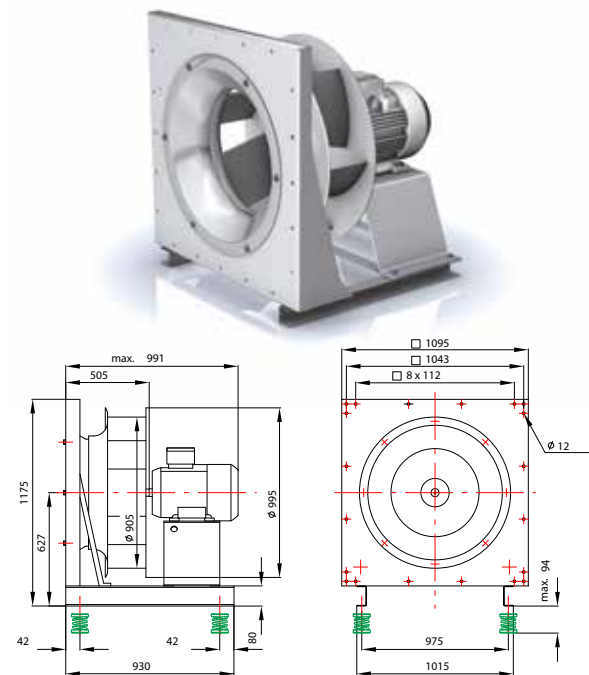


Technical Data according to ErP-REGULATION 327/2011/EU

Overall efficiency (η _{se})	71,7 %
Measurement category	A
Efficiency category	static
Achieved efficiency grade (N _{ist})	71,0
Speed control	has to be installed
Year of manufacture	Is shown on the relevant rating plate for the product
Manufacturer	Nicotra Gebhardt GmbH, 74638 Waldenburg (Germany)
Type Model number	RLM E6-7180-43-30-N
Motor input power (P _{e,opt})	19,6 kW

Flow rate (q _{v,opt})	28562 m ³ /h
Pressure (p _{sF,opt})	1772 Pa
Speed (N _{opt})	1670 min ⁻¹
Specific ratio (p ₂ /p ₁)	1,018
Disposal/Recycling: Information on recycling and disposal is provided in the operating instruction.	
Information on maintenance: Information on installation, operation and maintenance is provided in the operating instructions.	
Additional components: The measurements do not use components which are not part of the fan.	

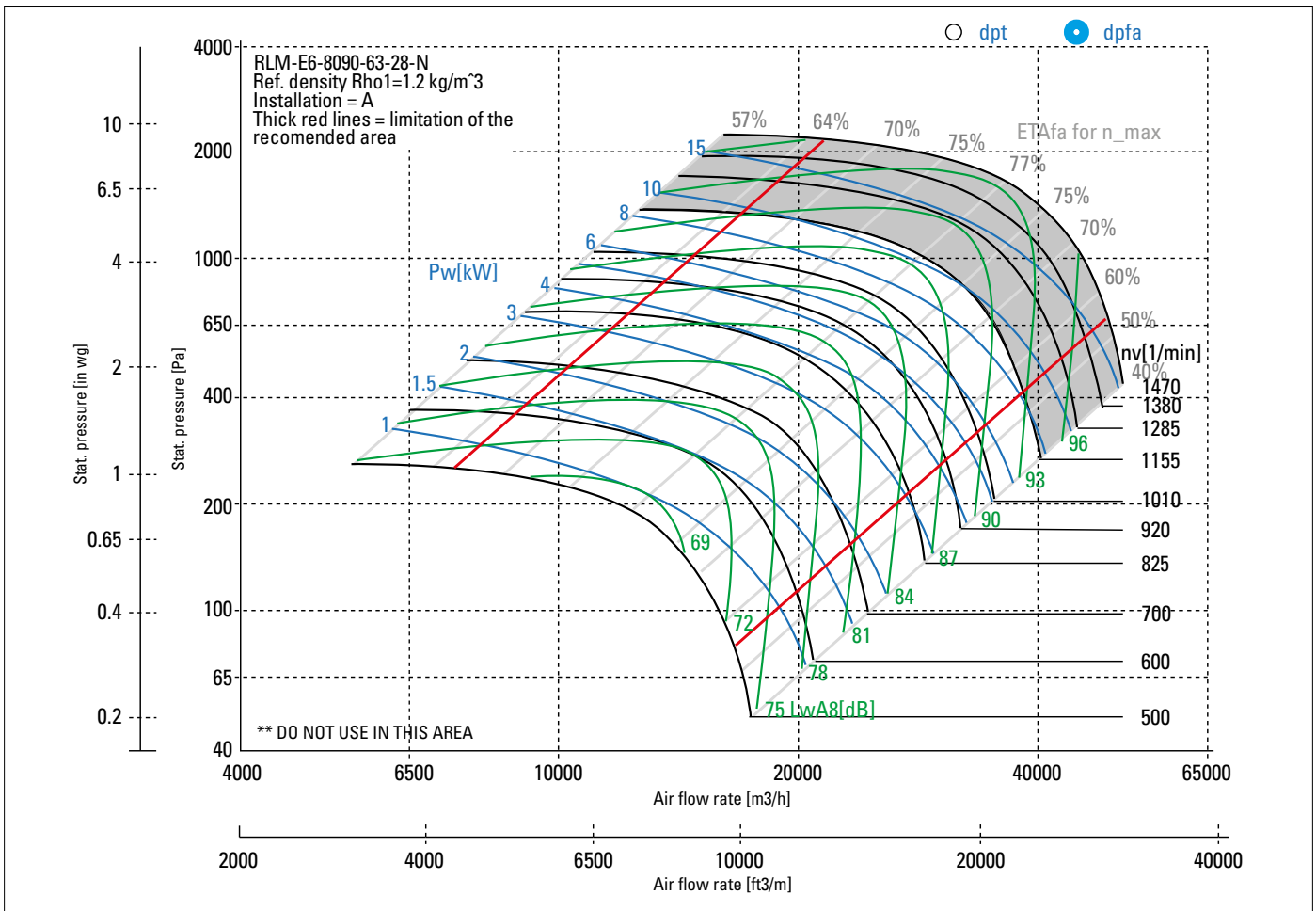
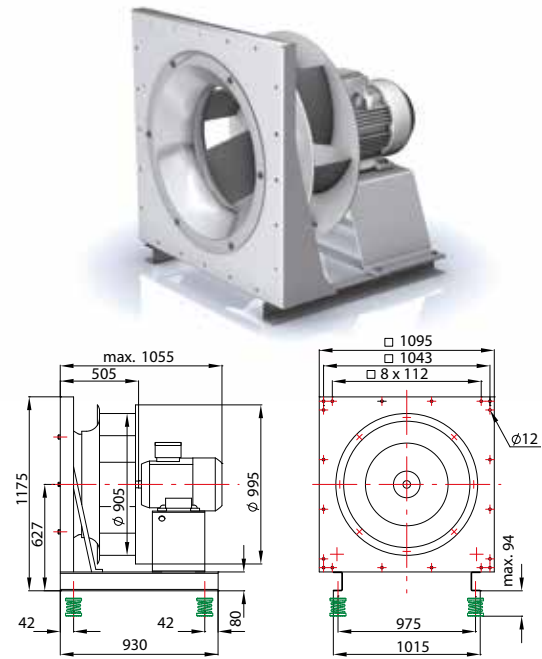
Description	Value	Dim.
Installation acc. DIN 24163 Part 1		A
Reference density (Rho1)	1,2	kg/m ³
Medium temperature (t)	20	C
Fan weight (m) basic device without accessories	234	kg
Feed data		
Main's frequency (f _N)	50	Hz
Voltage (U _N)	400	V
Rated motor data		
Phases-Voltage-Frequency	3~400 D-50	V-Hz
Frame size-No of poles	160M / IE3-6	
Power (P _N)	7.5	kW
Speed (n _N)	975	1/min
Current (I _N)	16,4	A
operational limits		
Max. fan speed (n _{max})	1010	1/min
Max. operating frequency (f _{max})	52	Hz
Temp. range for conveying medium (t _{min} ...t _{max})	-20...40	C



Technical Data according to ErP-REGULATION 327/2011/EU	
Overall efficiency (η _{se})	69,5 %
Measurement category	A
Efficiency category	static
Achieved efficiency grade (N _{ist})	70,6
Speed control	has to be installed
Year of manufacture	Is shown on the relevant rating plate for the product
Manufacturer	Nicotra Gebhardt GmbH, 74638 Waldenburg (Germany)
Type Model number	E6-8090-63-26-N
Motor input power (P _{e,opt})	7,85 kW

Flow rate (q _{v,opt})	24826 m ³ /h
Pressure (p _{s,opt})	791 Pa
Speed (N _{opt})	1010 min ⁻¹
Specific ratio (p ₂ /p ₁)	1,008
Disposal/Recycling: Information on recycling and disposal is provided in the operating instruction.	
Information on maintenance: Information on installation, operation and maintenance is provided in the operating instructions.	
Additional components: The measurements do not use components which are not part of the fan.	

Description	Value	Dim.
Installation acc. DIN 24163 Part 1		A
Reference density (Rho1)	1,2	kg/m ³
Medium temperature (t)	20	C
Fan weight (m) basic device without accessories	237	kg
Feed data		
Main's frequency (f _N)	50	Hz
Voltage (U _N)	400	V
Rated motor data		
Phases-Voltage-Frequency	3~400 D-50	V-Hz
Frame size-No of poles	160L / IE3-6	
Power (P _N)	11	kW
Speed (n _N)	975	1/min
Current (I _N)	25,0	A
operational limits		
Max. fan speed (n _{max})	1155	1/min
Max. operating frequency (f _{max})	59	Hz
Temp. range for conveying medium (t _{min} ...t _{max})	-20...40	C

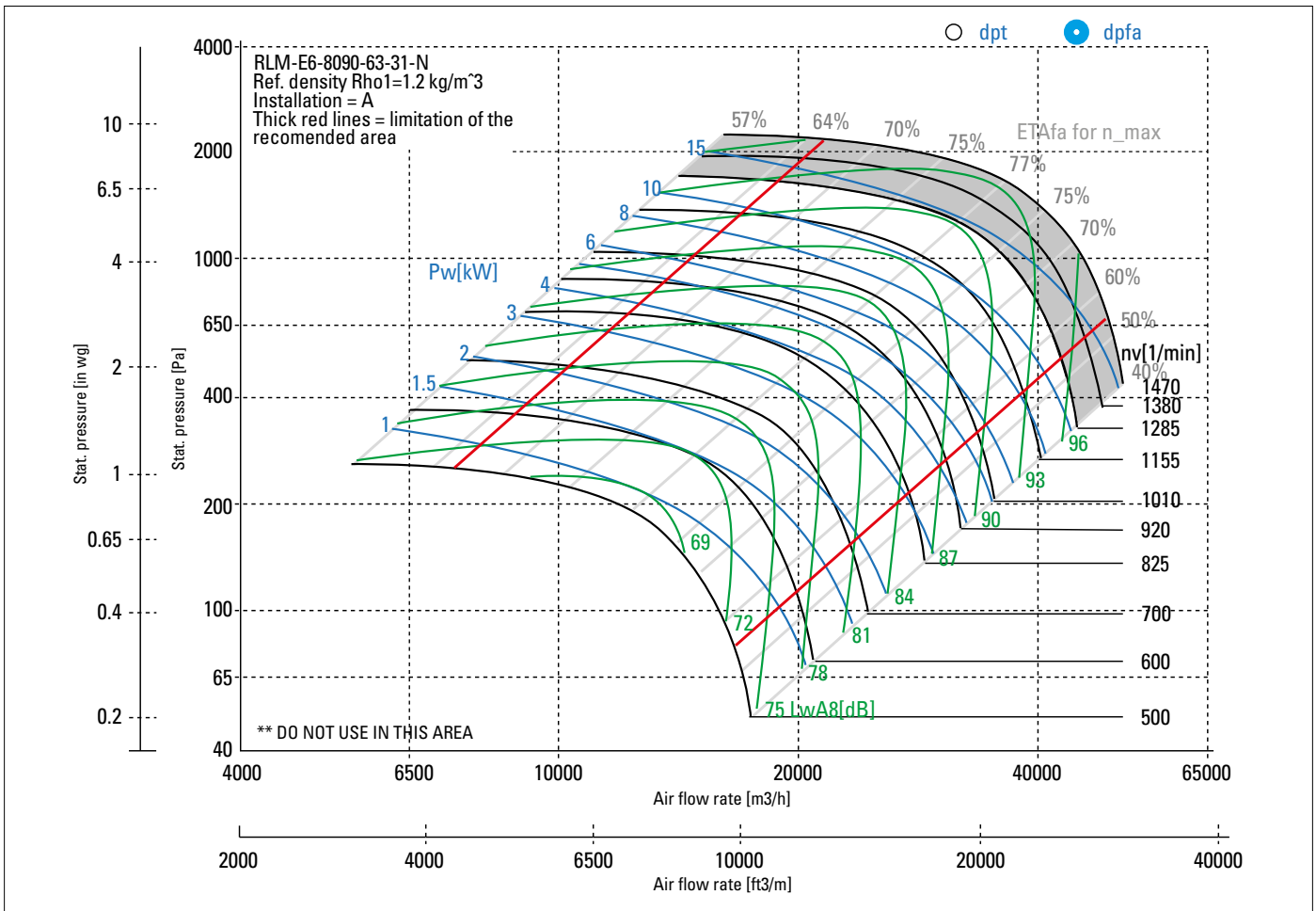
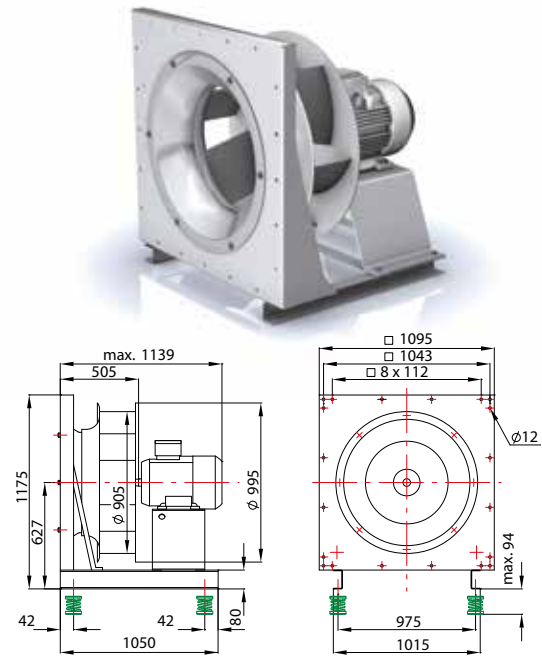


Technical Data according to ErP-REGULATION 327/2011/EU

Overall efficiency (η _{se})	70,1 %
Measurement category	A
Efficiency category	static
Achieved efficiency grade (N _{ist})	70,0
Speed control	has to be installed
Year of manufacture	Is shown on the relevant rating plate for the product
Manufacturer	Nicotra Gebhardt GmbH, 74638 Waldenburg (Germany)
Type Model number	RLM E6-8090-63-28-N
Motor input power (P _{e,opt})	11,6 kW

Flow rate (q _{v,opt})	28390 m ³ /h
Pressure (p _{sf,opt})	1035 Pa
Speed (N _{opt})	1155 min ⁻¹
Specific ratio (p ₂ /p ₁)	1,010
Disposal/Recycling:	Information on recycling and disposal is provided in the operating instruction.
Information on maintenance:	Information on installation, operation and maintenance is provided in the operating instructions.
Additional components:	The measurements do not use components which are not part of the fan.

Description	Value	Dim.
Installation acc. DIN 24163 Part 1	A	
Reference density (Rho1)	1,2	kg/m ³
Medium temperature (t)	20	C
Fan weight (m) basic device without accessories	282	kg
Feed data		
Main's frequency (f _N)	50	Hz
Voltage (U _N)	400	V
Rated motor data		
Phases-Voltage-Frequency	3~400 D-50	V-Hz
Frame size-No of poles	180L / IE3-6	
Power (P _N)	15	kW
Speed (n _N)	980	1/min
Current (I _N)	29,0	A
operational limits		
Max. fan speed (n _{max})	1285	1/min
Max. operating frequency (f _{max})	65	Hz
Temp. range for conveying medium (t _{min} ...t _{max})	-20...40	C

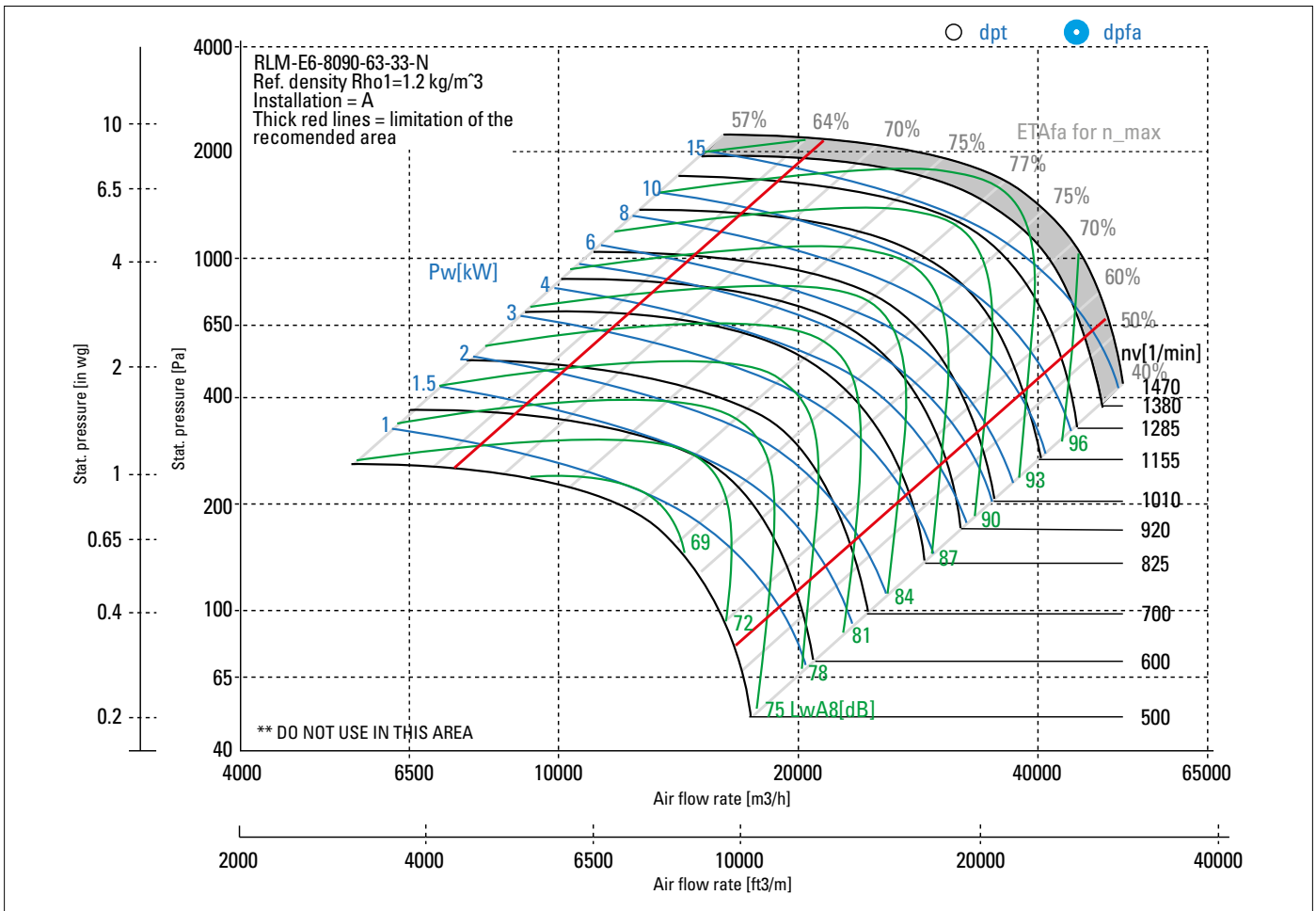
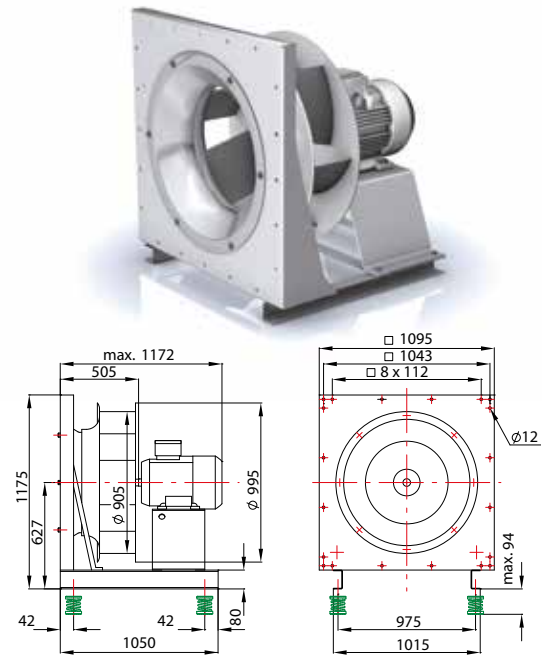


Technical Data according to ErP-REGULATION 327/2011/EU

Overall efficiency (η _{se})	71,0 %
Measurement category	A
Efficiency category	static
Achieved efficiency grade (N _{ist})	70,6
Speed control	has to be installed
Year of manufacture	Is shown on the relevant rating plate for the product
Manufacturer	Nicotra Gebhardt GmbH, 74638 Waldenburg (Germany)
Type Model number	RLM E6-8090-63-31-N
Motor input power (P _{e,opt})	15,8 kW

Flow rate (q _{v,opt})	31586 m ³ /h
Pressure (p _{s,opt})	1281 Pa
Speed (N _{opt})	1285 min ⁻¹
Specific ratio (p ₂ /p ₁)	1,013
Disposal/Recycling: Information on recycling and disposal is provided in the operating instruction.	
Information on maintenance: Information on installation, operation and maintenance is provided in the operating instructions.	
Additional components: The measurements do not use components which are not part of the fan.	

Description	Value	Dim.
Installation acc. DIN 24163 Part 1		A
Reference density (Rho1)	1,2	kg/m ³
Medium temperature (t)	20	C
Fan weight (m) basic device without accessories	318	kg
Feed data		
Main's frequency (f _N)	50	Hz
Voltage (U _N)	400	V
Rated motor data		
Phases-Voltage-Frequency	3~400 D-50	V-Hz
Frame size-No of poles	200L / IE3-6	
Power (P _N)	18,5	kW
Speed (n _N)	980	1/min
Current (I _N)	35,0	A
operational limits		
Max. fan speed (n _{max})	1380	1/min
Max. operating frequency (f _{max})	70	Hz
Temp. range for conveying medium (t _{min} ...t _{max})	-20...40	C

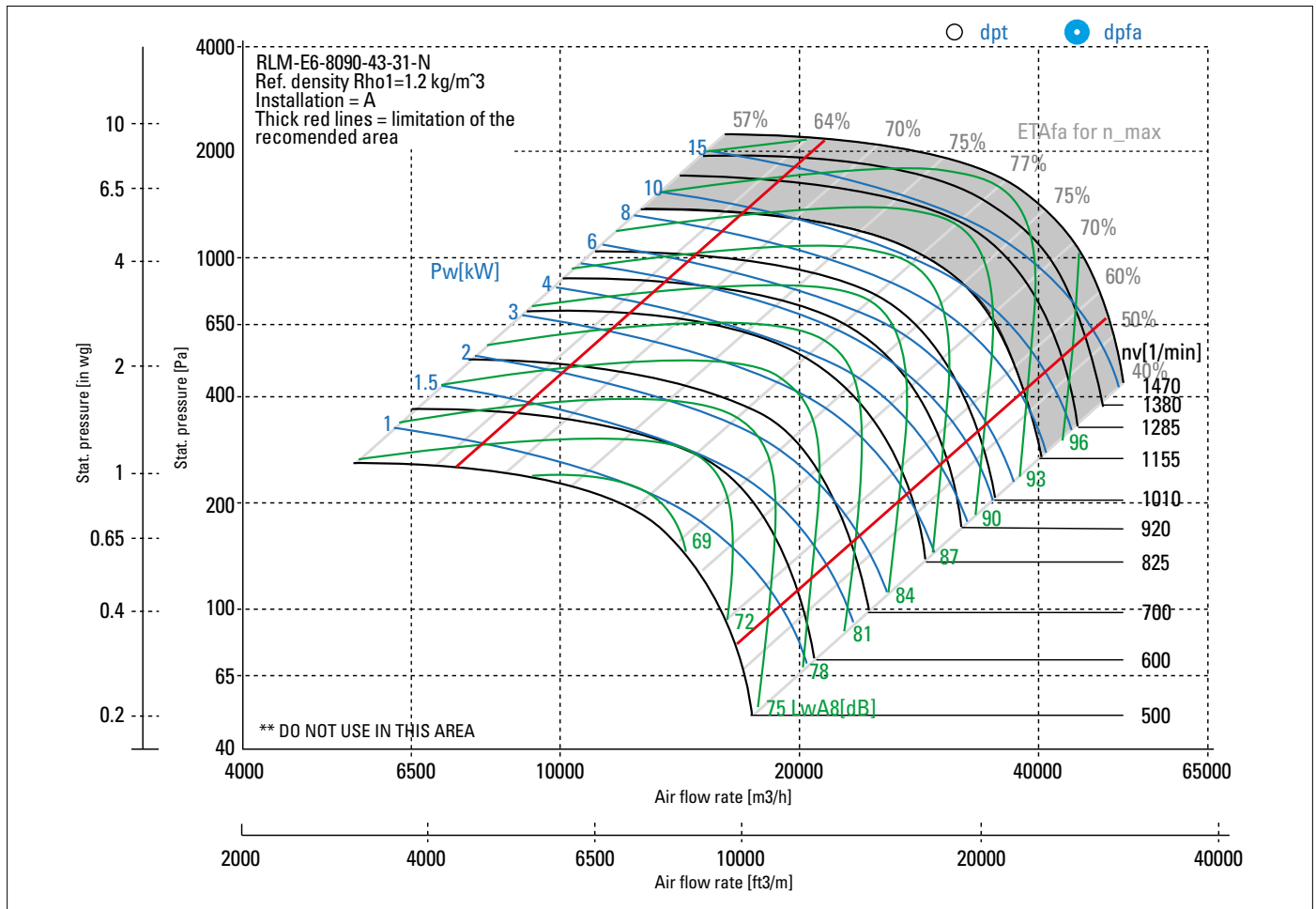
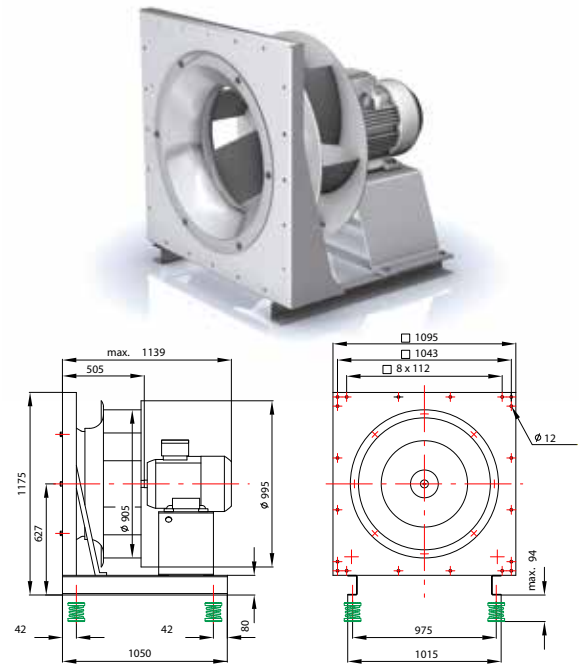


Technical Data according to ErP-REGULATION 327/2011/EU

Overall efficiency (η _{se})	71,4 %
Measurement category	A
Efficiency category	static
Achieved efficiency grade (N _{ist})	70,7
Speed control	has to be installed
Year of manufacture	Is shown on the relevant rating plate for the product
Manufacturer	Nicotra Gebhardt GmbH, 74638 Waldenburg (Germany)
Type Model number	RLM E6-8090-63-33-N
Motor input power (P _{e,opt})	19,5 kW

Flow rate (q _{v,opt})	33921 m ³ /h
Pressure (p _{f,opt})	1477 Pa
Speed (N _{opt})	1380 min ⁻¹
Specific ratio (p ₂ /p ₁)	1,015
Disposal/Recycling: Information on recycling and disposal is provided in the operating instruction.	
Information on maintenance: Information on installation, operation and maintenance is provided in the operating instructions.	
Additional components: The measurements do not use components which are not part of the fan.	

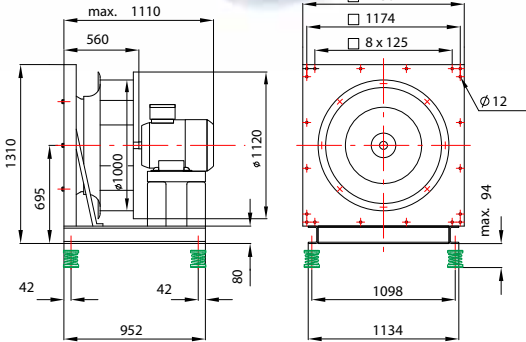
Description	Value	Dim.
Installation acc. DIN 24163 Part 1		A
Reference density (Rho1)	1,2	kg/m ³
Medium temperature (t)	20	C
Fan weight (m) basic device without accessories	314	kg
Feed data		
Main's frequency (f _N)	50	Hz
Voltage (U _N)	400	V
Rated motor data		
Phases-Voltage-Frequency	3~400 D-50	V-Hz
Frame size-No of poles	180L / IE3-6	
Power (P _N)	22	kW
Speed (n _N)	1480	1/min
Current (I _N)	44,5	A
operational limits		
Max. fan speed (n _{max})	1480	1/min
Max. operating frequency (f _{max})	50	Hz
Temp. range for conveying medium (t _{min} ...t _{max})	-20...40	C



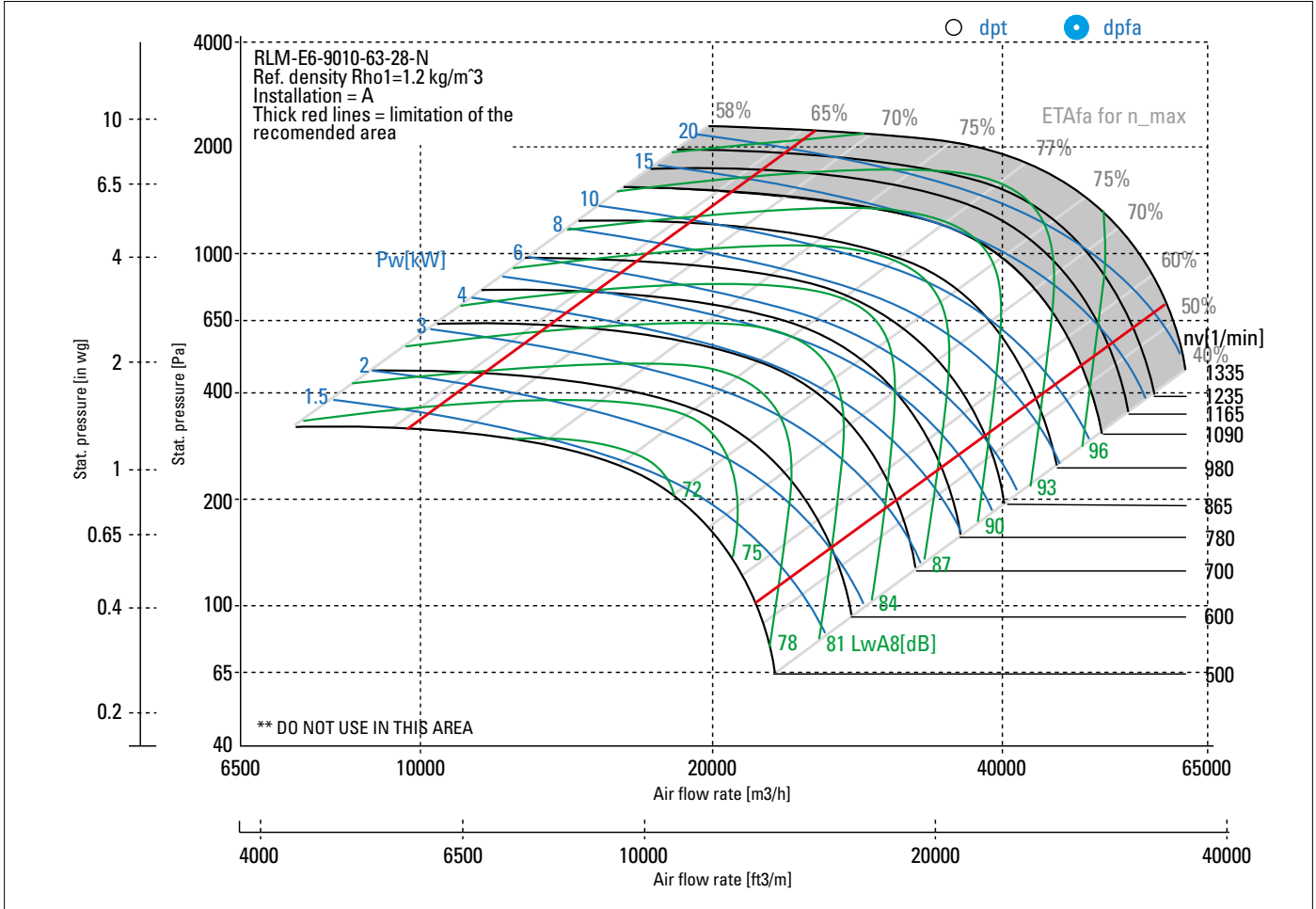
Technical Data according to ErP-REGULATION 327/2011/EU

Overall efficiency (η _{se})	72,2 %
Measurement category	A
Efficiency category	static
Achieved efficiency grade (N _{ist})	71,3
Speed control	has to be installed
Year of manufacture	Is shown on the relevant rating plate for the product
Manufacturer	Nicotra Gebhardt GmbH, 74638 Waldenburg (Germany)
Type Model number	RLM E6-8090-43-31-N
Motor input power (P _{e,opt})	23,8 kW

Flow rate (q _{v,opt})	36379 m ³ /h
Pressure (p _{sF,opt})	1699 Pa
Speed (N _{opt})	1480 min ⁻¹
Specific ratio (p ₂ /p ₁)	1,017
Disposal/Recycling:	Information on recycling and disposal is provided in the operating instruction.
Information on maintenance:	Information on installation, operation and maintenance is provided in the operating instructions.
Additional components:	The measurements do not use components which are not part of the fan.



Description	Value	Dim.
Installation acc. DIN 24163 Part 1	A	
Reference density (Rho1)	1,2	kg/m ³
Medium temperature (t)	20	C
Fan weight (m) basic device without accessories	323	kg
Feed data		
Main's frequency (f _N)	50	Hz
Voltage (U _N)	400	V
Rated motor data		
Phases-Voltage-Frequency	3~400 D-50	V-Hz
Frame size-No of poles	160L / IE3-6	
Power (P _N)	11	kW
Speed (n _N)	975	1/min
Current (I _N)	25,0	A
operational limits		
Max. fan speed (n _{max})	980	1/min
Max. operating frequency (f _{max})	50	Hz
Temp. range for conveying medium (t _{min} ...t _{max})	-20...40	C



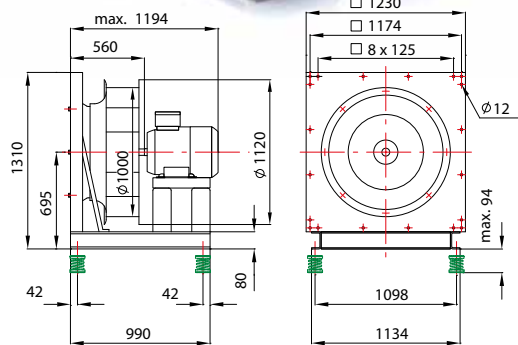
Technical Data according to ErP-REGULATION 327/2011/EU	
Overall efficiency (η _{se})	70,2 %
Measurement category	A
Efficiency category	static
Achieved efficiency grade (N _{ist})	70,0
Speed control	has to be installed
Year of manufacture	Is shown on the relevant rating plate for the product
Manufacturer	Nicotra Gebhardt GmbH, 74638 Waldenburg (Germany)
Type Model number	RLM E6-9010-63-28-N
Motor input power (P _{e,opt})	12,0 kW

Flow rate (q_{v,opt}) 31338 m³/h
 Pressure (p_{sF,opt}) 966 Pa
 Speed (N_{opt}) 980 min⁻¹
 Specific ratio (p₂/p₁) 1,010

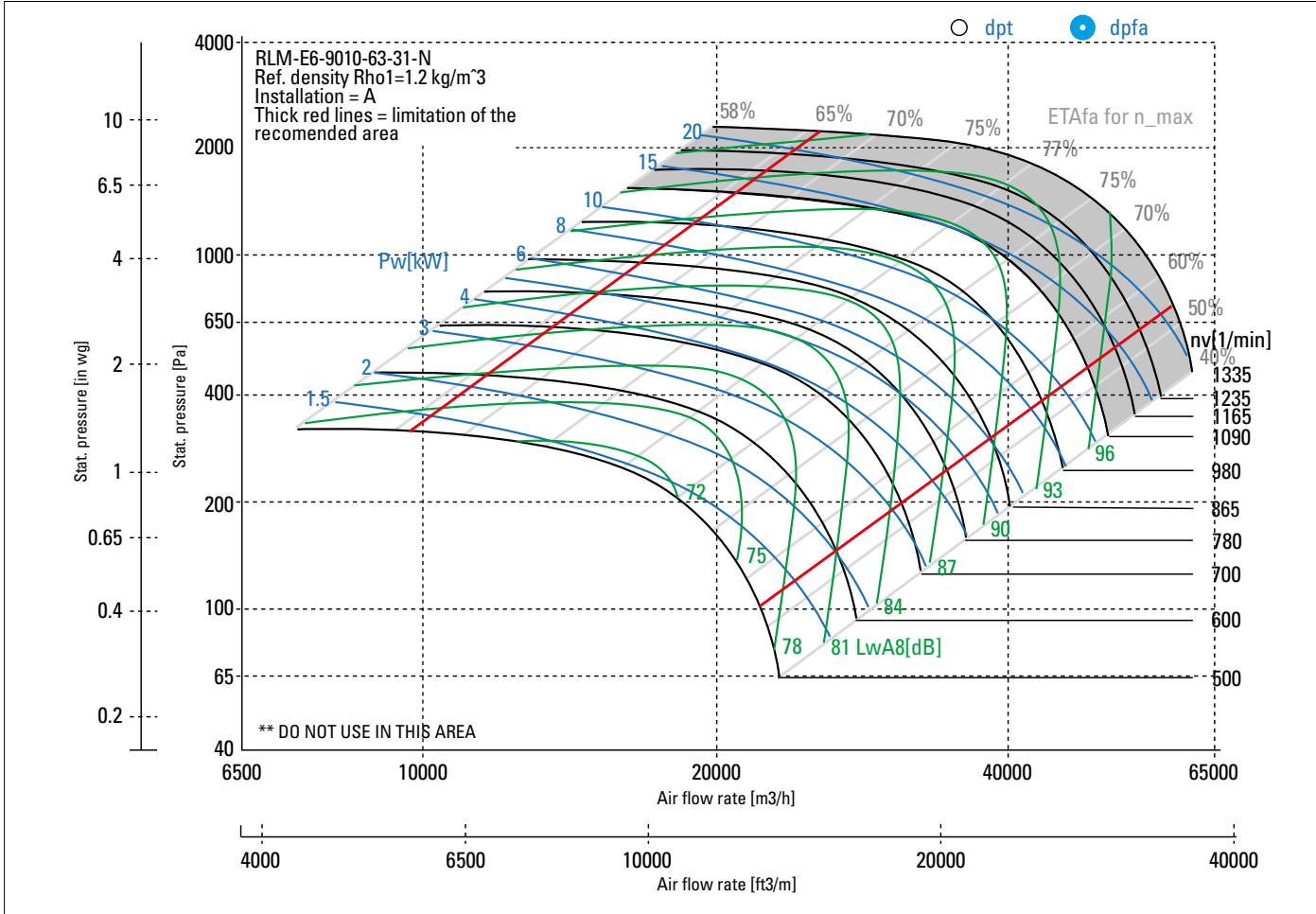
Disposal/Recycling: Information on recycling and disposal is provided in the operating instruction.

Information on maintenance: Information on installation, operation and maintenance is provided in the operating instructions.

Additional components: The measurements do not use components which are not part of the fan.



Description	Value	Dim.
Installation acc. DIN 24163 Part 1		A
Reference density (Rho1)	1,2	kg/m ³
Medium temperature (t)	20	C
Fan weight (m) basic device without accessories	341	kg
Feed data		
Main's frequency (f _N)	50	Hz
Voltage (U _N)	400	V
Rated motor data		
Phases-Voltage-Frequency	3~400 D-50	V-Hz
Frame size-No of poles	180L / IE3-6	
Power (P _N)	15	kW
Speed (n _N)	980	1/min
Current (I _N)	29,0	A
operational limits		
Max. fan speed (n _{max})	1090	1/min
Max. operating frequency (f _{max})	55	Hz
Temp. range for conveying medium (t _{min} ...t _{max})	-20...40	C



Technical Data according to ErP-REGULATION 327/2011/EU

Overall efficiency (η _{se})	71,0 %
Measurement category	A
Efficiency category	static
Achieved efficiency grade (N _{ist})	70,6
Speed control	has to be installed
Year of manufacture	Is shown on the relevant rating plate for the product
Manufacturer	Nicotra Gebhardt GmbH, 74638 Waldenburg (Germany)
Type Model number	RLM E6-9010-63-31-N
Motor input power (P _{e,opt})	16,3 kW

Flow rate (q _{v,opt})	34855 m ³ /h
Pressure (p _{sf,opt})	1195 Pa
Speed (N _{opt})	1090 min ⁻¹
Specific ratio (p ₂ /p ₁)	1,012
Disposal/Recycling:	Information on recycling and disposal is provided in the operating instruction.
Information on maintenance:	Information on installation, operation and maintenance is provided in the operating instructions.
Additional components:	The measurements do not use components which are not part of the fan.

Description

	Value	Dim.
Installation acc. DIN 24163 Part 1		A
Reference density (Rho1)	1,2	kg/m ³
Medium temperature (t)	20	C
Fan weight (m) basic device without accessories	376	kg

Feed data

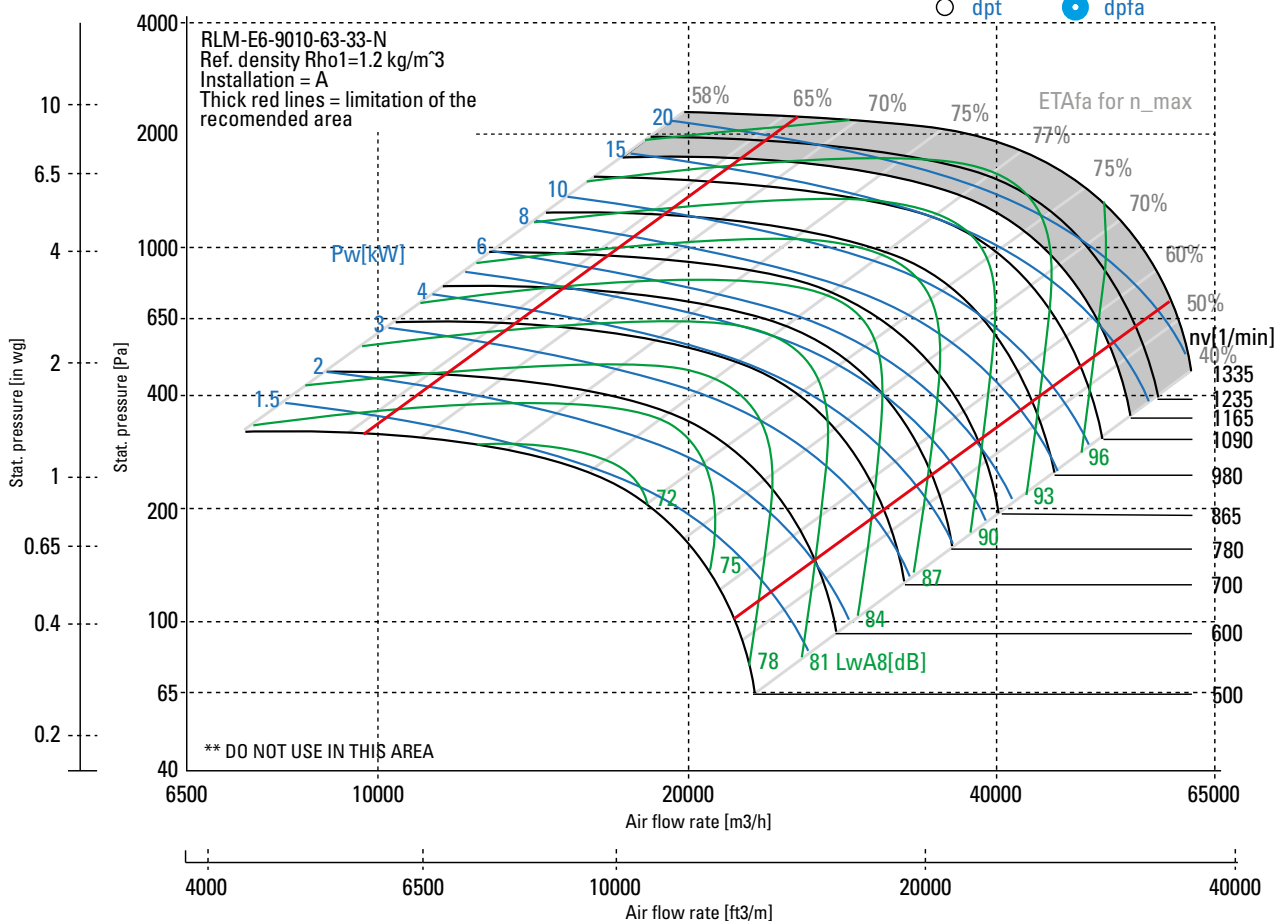
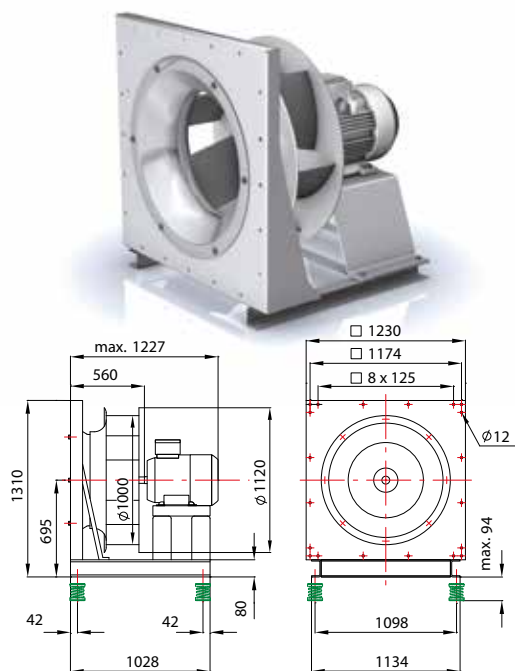
Main's frequency (f _N)	50	Hz
Voltage (U _N)	400	V

Rated motor data

Phases-Voltage-Frequency	3~400 D-50	V-Hz
Frame size-No of poles	200L / IE3-6	
Power (P _N)	18,5	kW
Speed (n _N)	980	1/min
Current (I _N)	35,0	A

operational limits

Max. fan speed (n _{max})	1165	1/min
Max. operating frequency (f _{max})	59	Hz
Temp. range for conveying medium (t _{min} ...t _{max})	-20...40	C

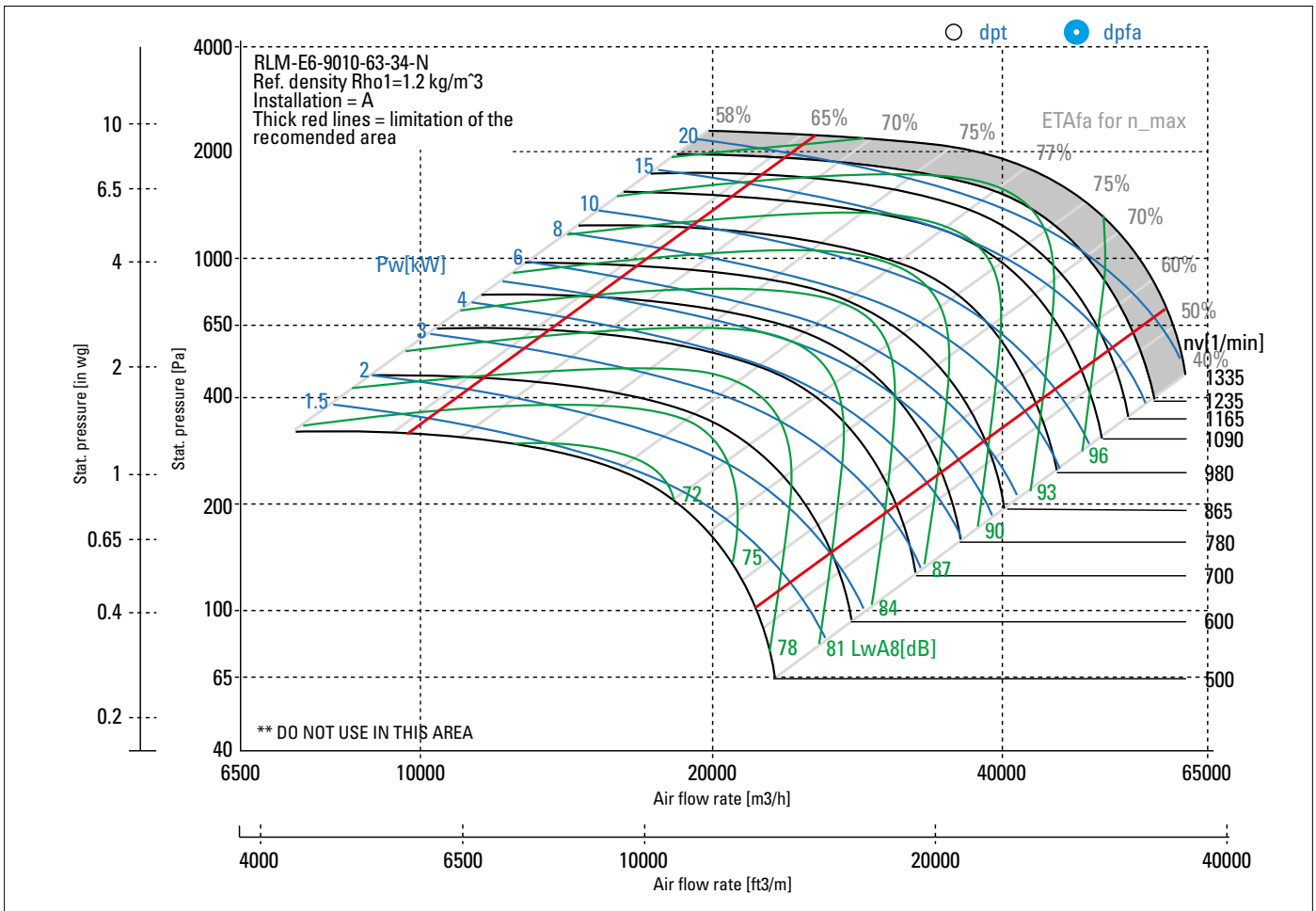
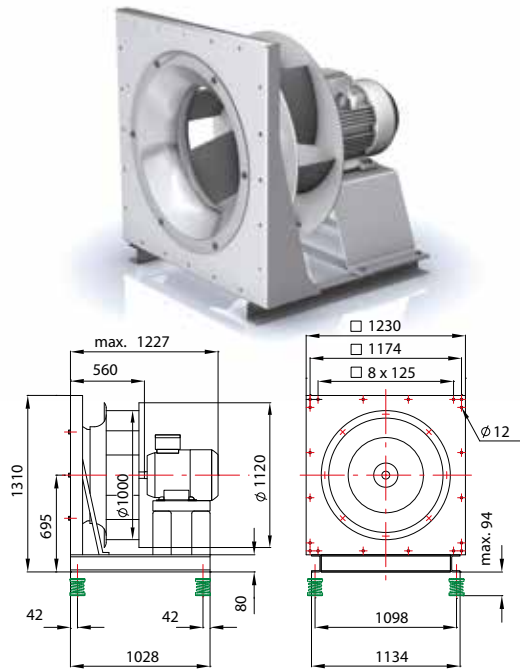


Technical Data according to ErP-REGULATION 327/2011/EU

Overall efficiency (η _{se})	71,5 %
Measurement category	A
Efficiency category	static
Achieved efficiency grade (N _{ist})	70,8
Speed control	has to be installed
Year of manufacture	Is shown on the relevant rating plate for the product
Manufacturer	Nicotra Gebhardt GmbH, 74638 Waldenburg (Germany)
Type Model number	RLM E6-9010-63-33-N
Motor input power (P _{e,opt})	19,8 kW

Flow rate (q _{v,opt})	37254 m ³ /h
Pressure (p _{sf,opt})	1365 Pa
Speed (N _{opt})	1165 min ⁻¹
Specific ratio (p ₂ /p ₁)	1,014
Disposal/Recycling: Information on recycling and disposal is provided in the operating instruction.	
Information on maintenance: Information on installation, operation and maintenance is provided in the operating instructions.	
Additional components: The measurements do not use components which are not part of the fan.	

Description	Value	Dim.
Installation acc. DIN 24163 Part 1		A
Reference density (Rho1)	1,2	kg/m ³
Medium temperature (t)	20	C
Fan weight (m) basic device without accessories	396	kg
Feed data		
Main's frequency (f _N)	50	Hz
Voltage (U _N)	400	V
Rated motor data		
Phases-Voltage-Frequency	3~400 D-50	V-Hz
Frame size-No of poles	200L / IE3-6	
Power (P _N)	22	kW
Speed (n _N)	975	1/min
Current (I _N)	42,0	A
operational limits		
Max. fan speed (n _{v_max})	1235	1/min
Max. operating frequency (f _{max})	63	Hz
Temp. range for conveying medium (t _{min} ...t _{max})	-20...40	C



Technical Data according to ErP-REGULATION 327/2011/EU

Overall efficiency (η _{se})	71,9 %
Measurement category	A
Efficiency category	static
Achieved efficiency grade (N _{ist})	71,0
Speed control	has to be installed
Year of manufacture	Is shown on the relevant rating plate for the product
Manufacturer	Nicotra Gebhardt GmbH, 74638 Waldenburg (Germany)
Type Model number	RLM E6-9010-63-34-N
Motor input power (P _{e,opt})	23,4 kW

Flow rate (q _{v,opt})	39492 m ³ /h
Pressure (p _{sf,opt})	1534 Pa
Speed (N _{opt})	1235 min ⁻¹
Specific ratio (p ₂ /p ₁)	1,015
Disposal/Recycling:	Information on recycling and disposal is provided in the operating instruction.
Information on maintenance:	Information on installation, operation and maintenance is provided in the operating instructions.
Additional components:	The measurements do not use components which are not part of the fan.

Description

	Value	Dim.
Installation acc. DIN 24163 Part 1		A
Reference density (Rho1)	1,2	kg/m ³
Medium temperature (t)	20	C
Fan weight (m) basic device without accessories	570	kg

Feed data

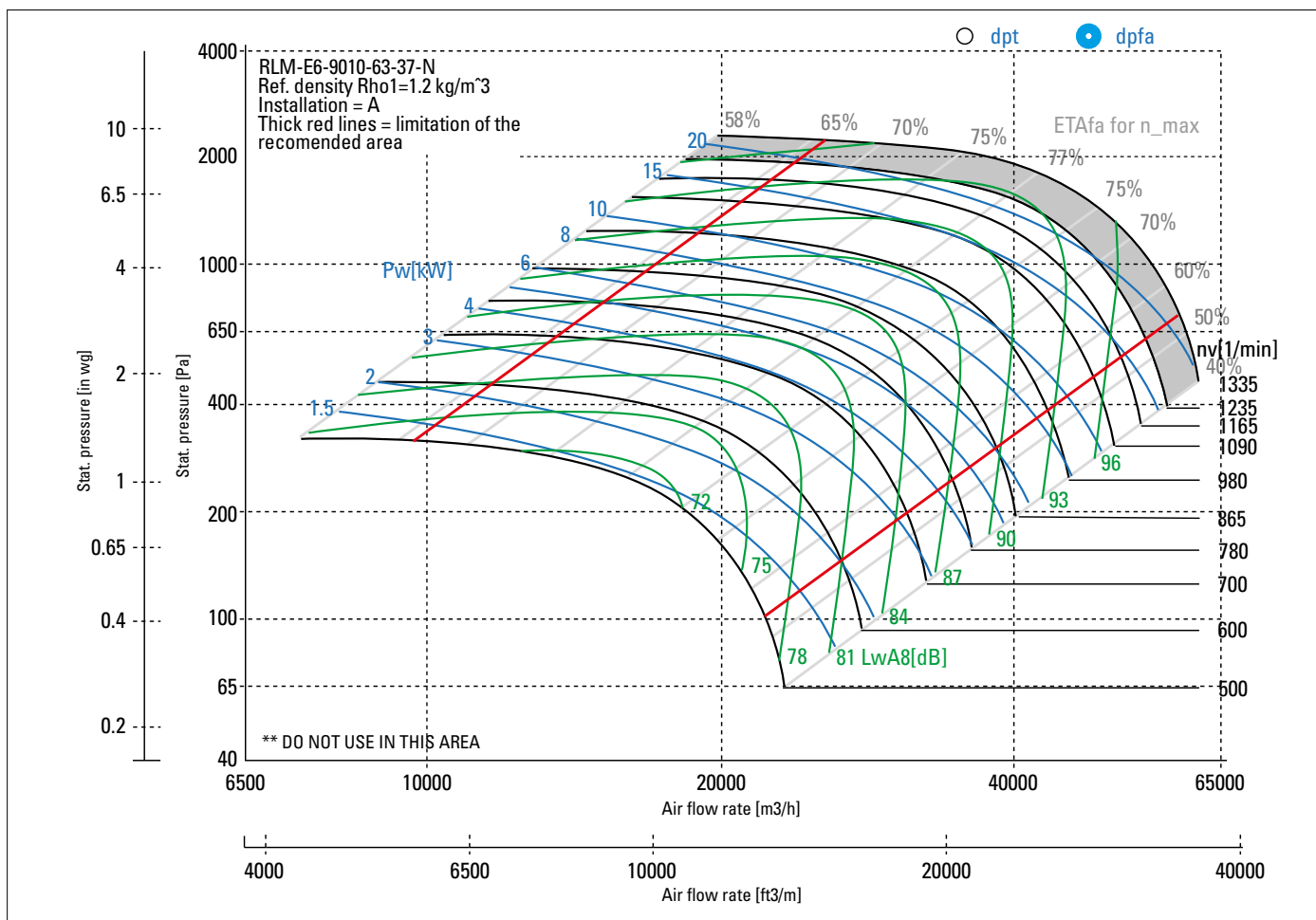
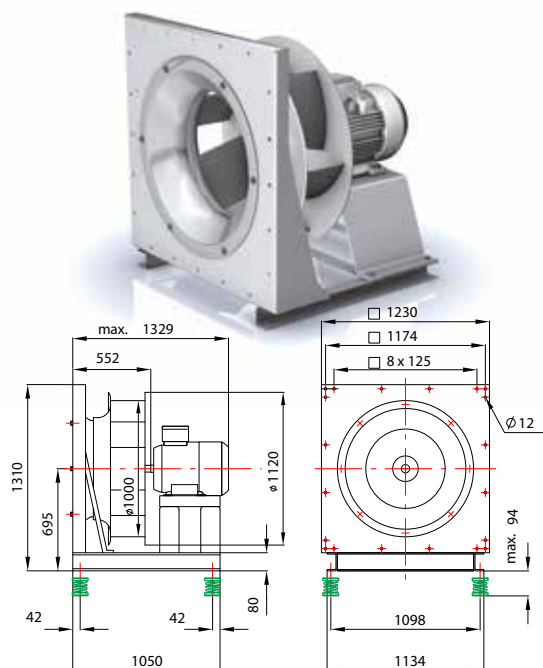
Main's frequency (f _N)	50	Hz
Voltage (U _N)	400	V

Rated motor data

Phases-Voltage-Frequency	3~400 D-50	V-Hz
Frame size-No of poles	225M / IE3-6	
Power (P _N)	30	kW
Speed (n _N)	985	1/min
Current (I _N)	57,0	A

operational limits

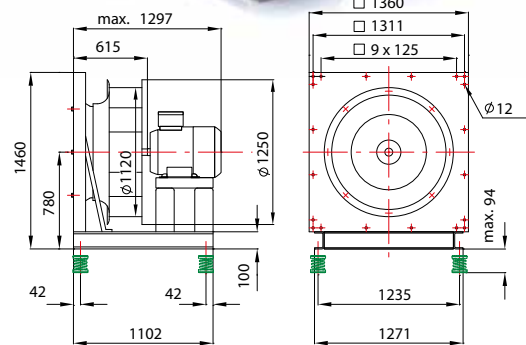
Max. fan speed (n _{max})	1335	1/min
Max. operating frequency (f _{max})	68	Hz
Temp. range for conveying medium (t _{min} ...t _{max})	-20...40	C



Technical Data according to ErP-REGULATION 327/2011/EU

Overall efficiency (η _{se})	72,9 %
Measurement category	A
Efficiency category	static
Achieved efficiency grade (N _{ist})	71,8
Speed control	has to be installed
Year of manufacture	Is shown on the relevant rating plate for the product
Manufacturer	Nicotra Gebhardt GmbH, 74638 Waldenburg (Germany)
Type Model number	RLM E6-9010-63-37-N
Motor input power (P _{e,opt})	29,2 kW

Flow rate (q _{v,opt})	42690 m ³ /h
Pressure (p _{sF,opt})	1793 Pa
Speed (N _{opt})	1335 min ⁻¹
Specific ratio (p ₂ /p ₁)	1,018
Disposal/Recycling:	Information on recycling and disposal is provided in the operating instruction.
Information on maintenance:	Information on installation, operation and maintenance is provided in the operating instructions.
Additional components:	The measurements do not use components which are not part of the fan.



Description

	Value	Dim.
Installation acc. DIN 24163 Part 1		A
Reference density (Rho1)	1,2	kg/m ³
Medium temperature (t)	20	C
Fan weight (m) basic device without accessories	471	kg

Feed data

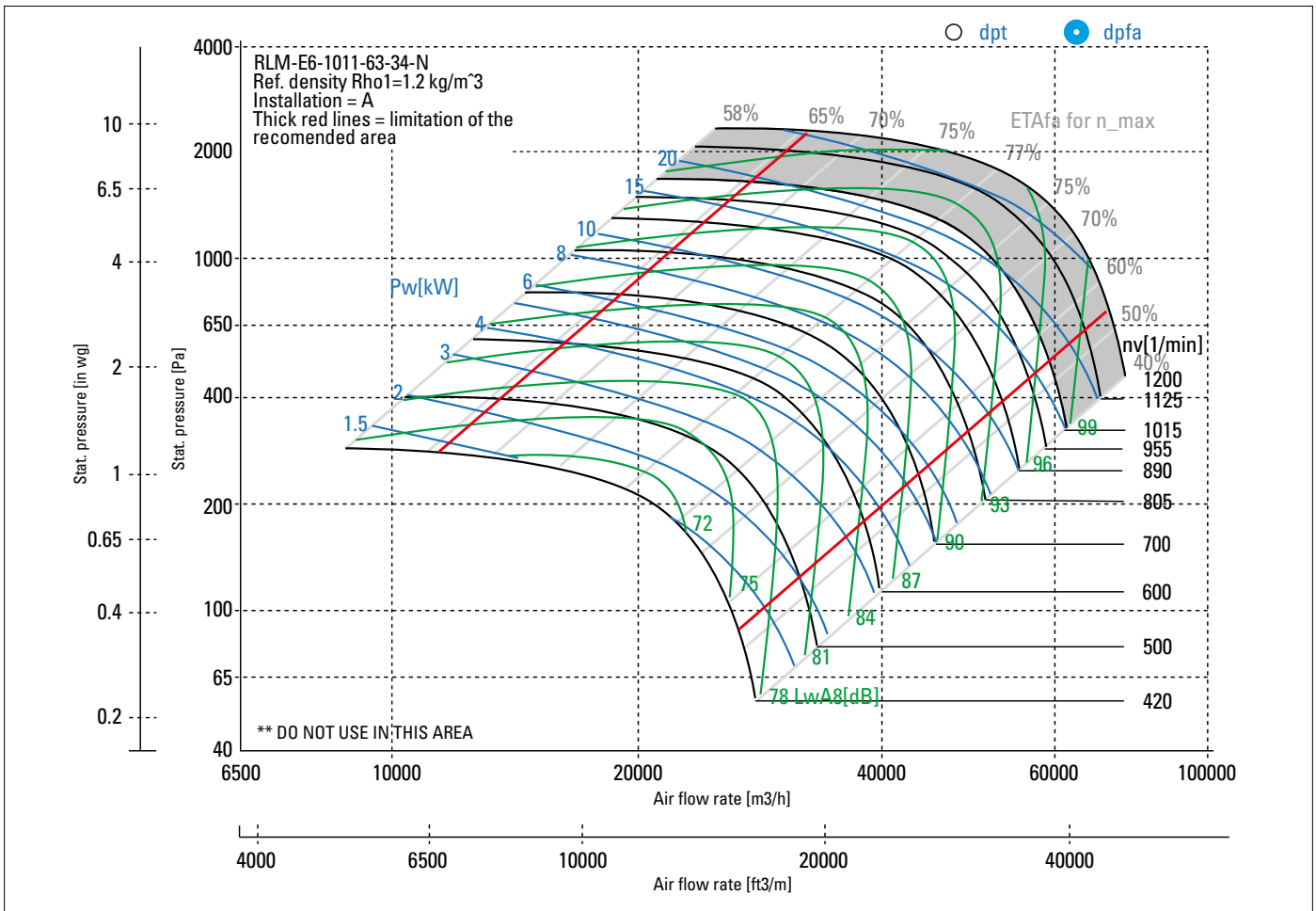
Main's frequency (f _N)	50	Hz
Voltage (U _N)	400	V

Rated motor data

Phases-Voltage-Frequency	3~400 D-50	V-Hz
Frame size-No of poles	200L / IE3-6	
Power (P _N)	22	kW
Speed (n _N)	975	1/min
Current (I _N)	42,0	A

operational limits

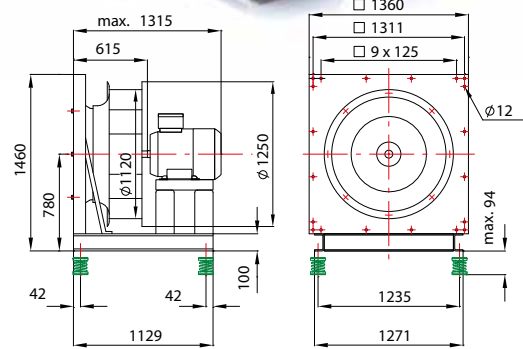
Max. fan speed (n _{max})	1015	1/min
Max. operating frequency (f _{max})	52	Hz
Temp. range for conveying medium (t _{min} ...t _{max})	-20...40	C



Technical Data according to ErP-REGULATION 327/2011/EU

Overall efficiency (η _{se})	71,8 %
Measurement category	A
Efficiency category	static
Achieved efficiency grade (N _{ist})	70,9
Speed control	has to be installed
Year of manufacture	Is shown on the relevant rating plate for the product
Manufacturer	Nicotra Gebhardt GmbH, 74638 Waldenburg (Germany)
Type Model number	RLM E6-1011-63-34-N
Motor input power (P _{e,opt})	23,6 kW

Flow rate (q _{v,opt})	46867 m ³ /h
Pressure (p _{s,opt})	1300 Pa
Speed (N _{opt})	1015 min ⁻¹
Specific ratio (p ₂ /p ₁)	1,013
Disposal/Recycling:	Information on recycling and disposal is provided in the operating instruction.
Information on maintenance:	Information on installation, operation and maintenance is provided in the operating instructions.
Additional components:	The measurements do not use components which are not part of the fan.



Description

	Value	Dim.
Installation acc. DIN 24163 Part 1		A
Reference density (Rho1)	1,2	kg/m ³
Medium temperature (t)	20	C
Fan weight (m) basic device without accessories	626	kg

Feed data

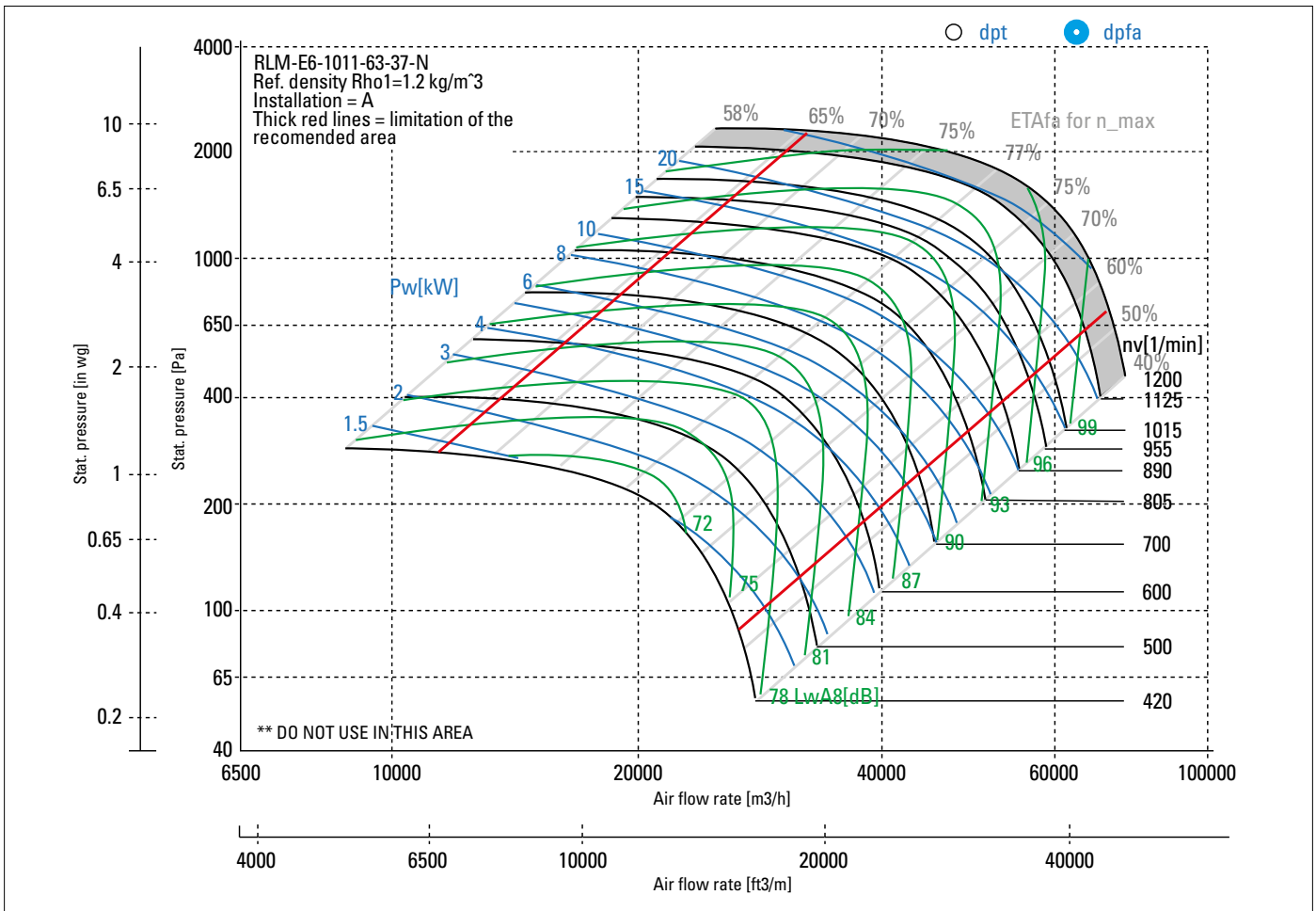
Main's frequency (f _N)	50	Hz
Voltage (U _N)	400	V

Rated motor data

Phases-Voltage-Frequency	3~400 D-50	V-Hz
Frame size-No of poles	225M / IE3-6	
Power (P _N)	30	kW
Speed (n _N)	985	1/min
Current (I _N)	57,0	A

operational limits

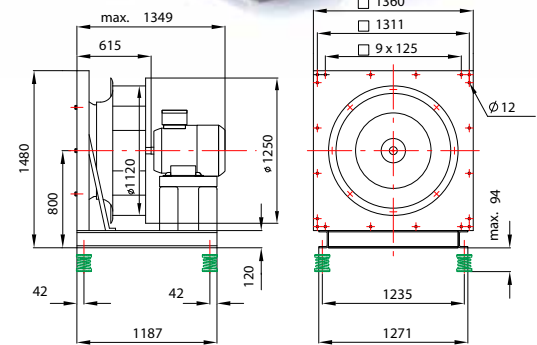
Max. fan speed (n _{max})	1125	1/min
Max. operating frequency (f _{max})	57	Hz
Temp. range for conveying medium (t _{min} ...t _{max})	-20...40	C



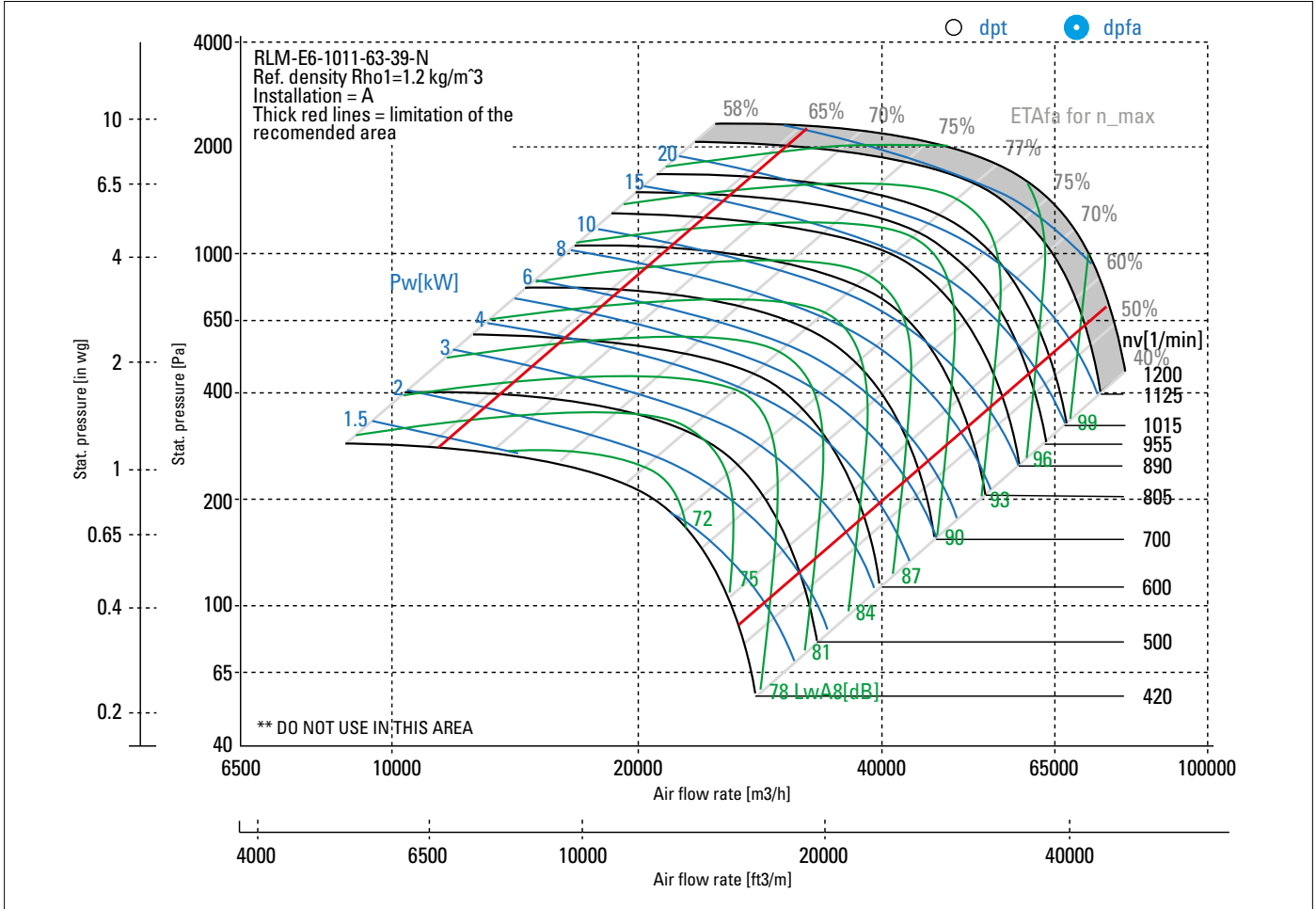
Technical Data according to ErP-REGULATION 327/2011/EU

Overall efficiency (η _{se})	72,4 %
Measurement category	A
Efficiency category	static
Achieved efficiency grade (N _{ist})	71,2
Speed control	has to be installed
Year of manufacture	Is shown on the relevant rating plate for the product
Manufacturer	Nicotra Gebhardt GmbH, 74638 Waldenburg (Germany)
Type Model number	RLM E6-1011-63-37-N
Motor input power (P _{e,opt})	31,8 kW

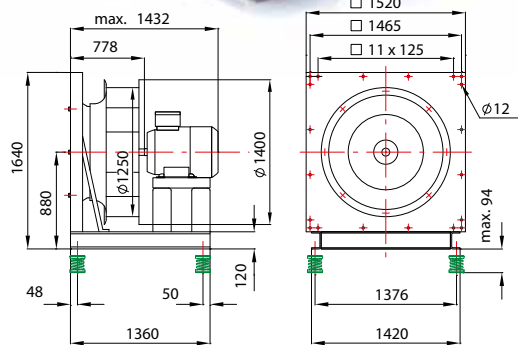
Flow rate (q _{v,opt})	51946 m ³ /h
Pressure (p _{s,opt})	1597 Pa
Speed (N _{opt})	1125 min ⁻¹
Specific ratio (p ₂ /p ₁)	1,016
Disposal/Recycling:	Information on recycling and disposal is provided in the operating instruction.
Information on maintenance:	Information on installation, operation and maintenance is provided in the operating instructions.
Additional components:	The measurements do not use components which are not part of the fan.



Description	Value	Dim.
Installation acc. DIN 24163 Part 1		A
Reference density (Rho1)	1,2	kg/m ³
Medium temperature (t)	20	C
Fan weight (m) basic device without accessories	754	kg
Feed data		
Main's frequency (f _N)	50	Hz
Voltage (U _N)	400	V
Rated motor data		
Phases-Voltage-Frequency	3~400 D-50	V-Hz
Frame size-No of poles	250M / IE3-6	
Power (P _N)	37	kW
Speed (n _N)	985	1/min
Current (I _N)	69,0	A
operational limits		
Max. fan speed (n _{max})	1200	1/min
Max. operating frequency (f _{max})	61	Hz
Temp. range for conveying medium (t _{min} ...t _{max})	-20...40	C



Technical Data according to ErP-REGULATION 327/2011/EU			
Overall efficiency (η _{se})	72,8 %	Flow rate (q _{v,opt})	55409 m3/h
Measurement category	A	Pressure (p _{sf,opt})	1817 Pa
Efficiency category	static	Speed (N _{opt})	1200 min ⁻¹
Achieved efficiency grade (N _{ist})	71,4	Specific ratio (p ₂ /p ₁)	1,018
Speed control	has to be installed	Disposal/Recycling: Information on recycling and disposal is provided in the operating instruction.	
Year of manufacture	Is shown on the relevant rating plate for the product	Information on maintenance: Information on installation, operation and maintenance is provided in the operating instructions.	
Manufacturer	Nicotra Gebhardt GmbH, 74638 Waldenburg (Germany)	Additional components: The measurements do not use components which are not part of the fan.	
Type Model number	RLM E6-1011-63-39-N		
Motor input power (P _{e,opt})	38,4 kW		



Description

	Value	Dim.
Installation acc. DIN 24163 Part 1		A
Reference density (Rho1)	1,2	kg/m ³
Medium temperature (t)	20	C
Fan weight (m) basic device without accessories	915	kg

Feed data

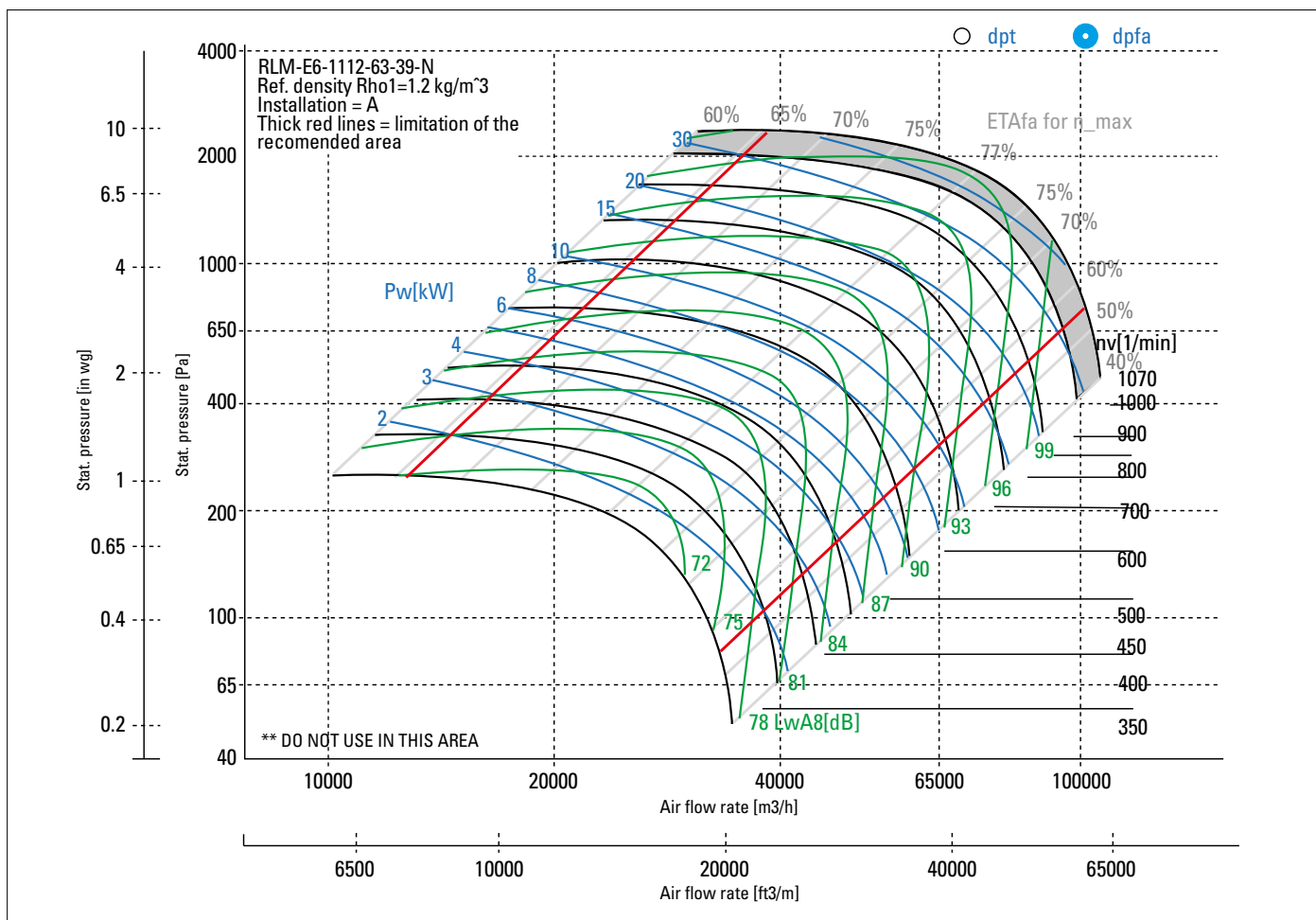
Main's frequency (f _N)	50	Hz
Voltage (U _N)	400	V

Rated motor data

Phases-Voltage-Frequency	3~400 D-50	V-Hz
Frame size-No of poles	250M / IE3-6	
Power (P _N)	37	kW
Speed (n _N)	985	1/min
Current (I _N)	69,0	A

operational limits

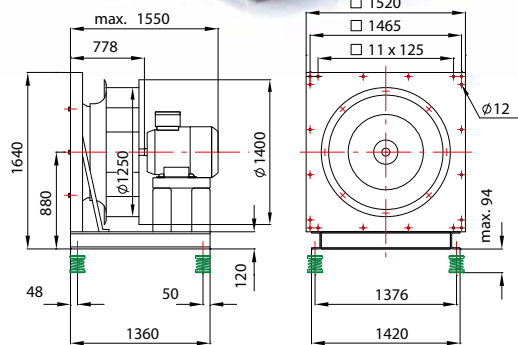
Max. fan speed (n _{vmax})	990	1/min
Max. operating frequency (f _{max})	50	Hz
Temp. range for conveying medium (t _{min} ...t _{max})	-20...40	C



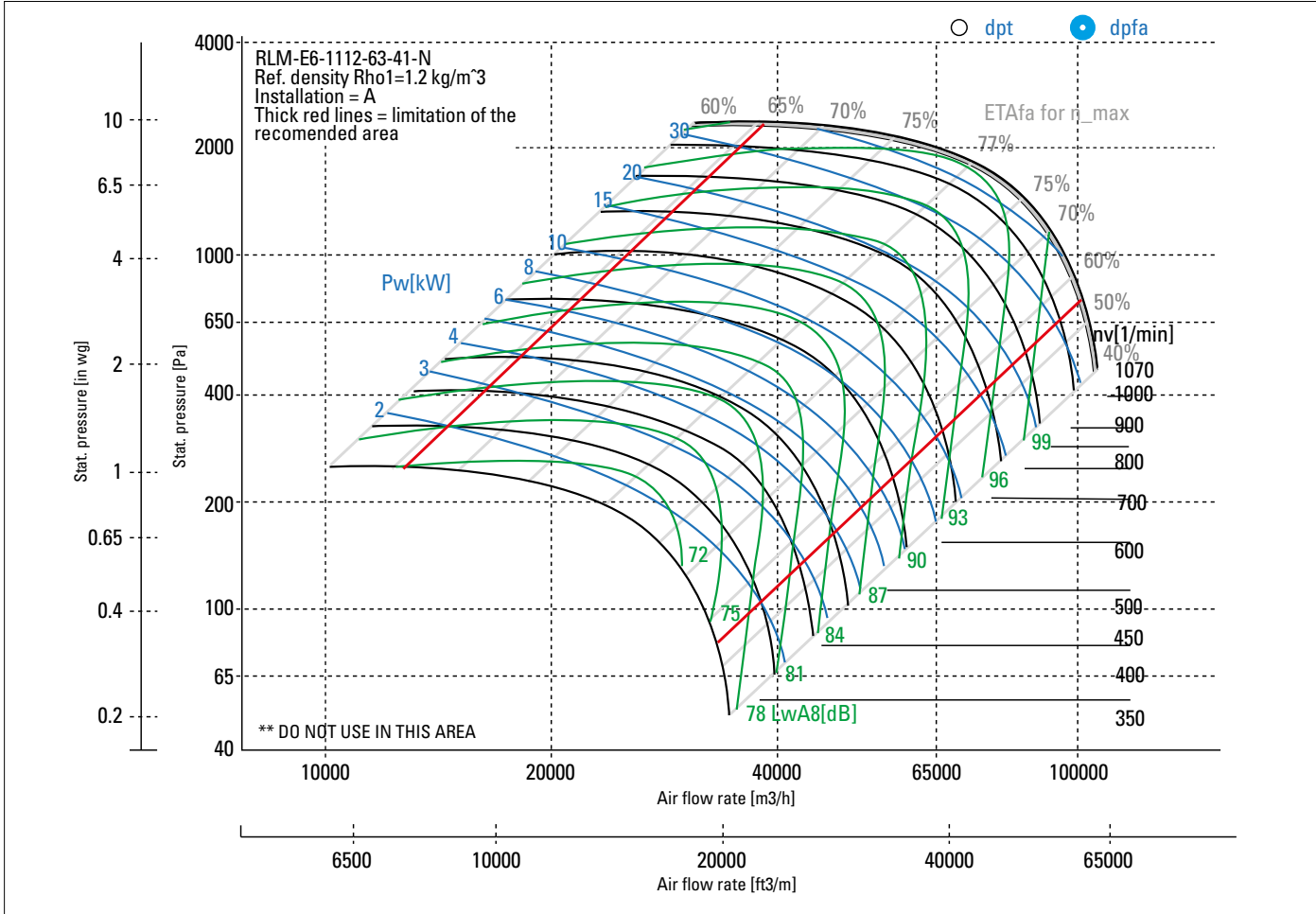
Technical Data according to ErP-REGULATION 327/2011/EU

Overall efficiency (η _{se})	72,7 %
Measurement category	A
Efficiency category	static
Achieved efficiency grade (N _{ist})	71,3
Speed control	has to be installed
Year of manufacture	Is shown on the relevant rating plate for the product
Manufacturer	Nicotra Gebhardt GmbH, 74638 Waldenburg (Germany)
Type Model number	RLM E6-1112-63-39-N
Motor input power (P _{e,opt})	39,4 kW

Flow rate (q _{v,opt})	66698 m ³ /h
Pressure (p _{sf,opt})	1548 Pa
Speed (N _{opt})	990 min ⁻¹
Specific ratio (p ₂ /p ₁)	1,015
Disposal/Recycling:	Information on recycling and disposal is provided in the operating instruction.
Information on maintenance:	Information on installation, operation and maintenance is provided in the operating instructions.
Additional components:	The measurements do not use components which are not part of the fan.



Description	Value	Dim.
Installation acc. DIN 24163 Part 1	A	
Reference density (Rho1)	1,2	kg/m ³
Medium temperature (t)	20	C
Fan weight (m) basic device without accessories	1000	kg
Feed data		
Main's frequency (f _N)	50	Hz
Voltage (U _N)	400	V
Rated motor data		
Phases-Voltage-Frequency	3~400 D-50	V-Hz
Frame size-No of poles	280S / IE3-6	
Power (P _N)	45	kW
Speed (n _N)	985	1/min
Current (I _N)	90,2	A
operational limits		
Max. fan speed (n _{max})	1055	1/min
Max. operating frequency (f _{max})	53	Hz
Temp. range for conveying medium (t _{min} ...t _{max})	-20...40	C



Technical Data according to ErP-REGULATION 327/2011/EU

Overall efficiency (η _{se})	73,1 %
Measurement category	A
Efficiency category	static
Achieved efficiency grade (N _{ist})	71,4
Speed control	has to be installed
Year of manufacture	Is shown on the relevant rating plate for the product
Manufacturer	Nicotra Gebhardt GmbH, 74638 Waldenburg (Germany)
Type Model number	RLM E6-1112-63-41-N
Motor input power (P _{e,opt})	47,5 kW

Flow rate (q _{v,opt})	71077 m ³ /h
Pressure (p _{sf,opt})	1757 Pa
Speed (N _{opt})	1055 min ⁻¹
Specific ratio (p ₂ /p ₁)	1,018
Disposal/Recycling:	Information on recycling and disposal is provided in the operating instruction.
Information on maintenance:	Information on installation, operation and maintenance is provided in the operating instructions.
Additional components:	The measurements do not use components which are not part of the fan.

ProSELECTA II / Ventil

The easy and sure way of selecting your fan!

Start the interaktive online software for selecting your individual fan system here ...

proSELECTA

Are you already registered?

[Here you can register proSELECTA II ...](#)



What is a fan selection software?

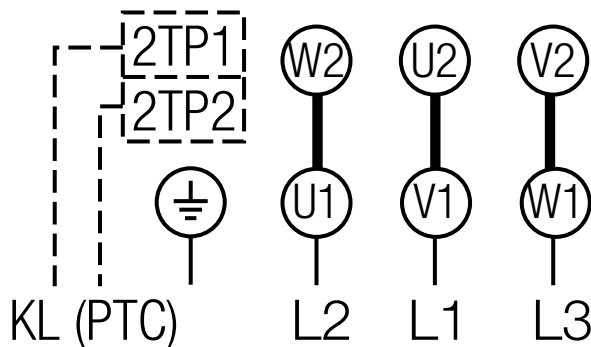
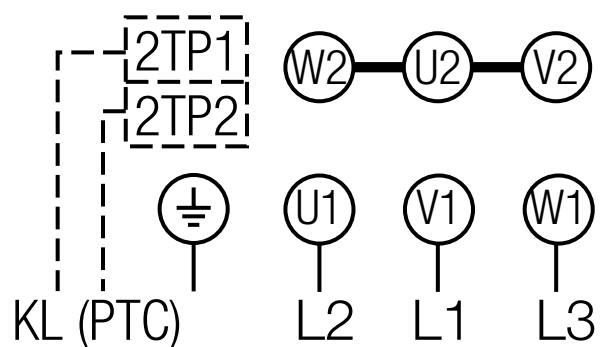
Technical selection software program that enable you to configure your own individually designed fan. It provides you with the opportunity of choosing from the entire range of fan types and their associated equipment options.

Wiring System

Eintouriger Drehstrommotor, optional mit PTC Three-phase A.C. motor, optional w/PTC Thermistor Moteur triphasé à 1 vitesse, PTC Sonde en option

Stern - Schaltung (Y)
Star - connection
Branchement étoile

Dreieck - Schaltung (Δ)
Delta - connection
Branchement triangle



420 08-12-2005

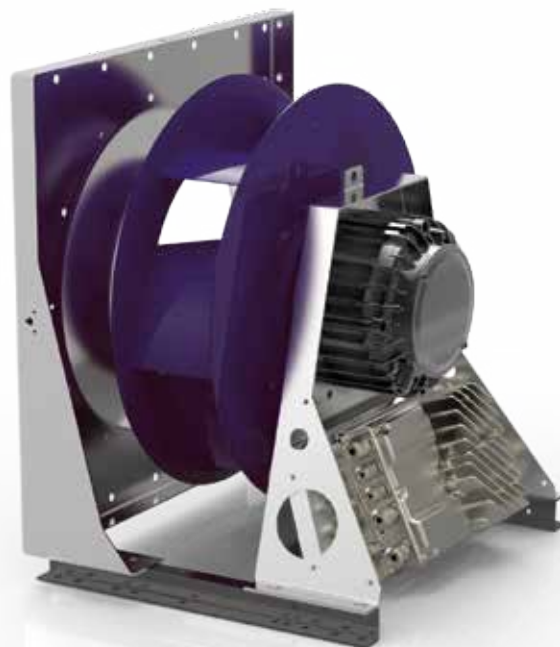
Equipped for the future.

Fans are expected to achieve higher and higher levels of efficiency. This means: More performance with less electricity. Binding obligations for this are specified in the ErP Directive (Energy Related Products).

Nicotra Gebhardt® fan modules already achieve levels of motor efficiency up to IE5 today – which is well beyond the specifications required for the future.

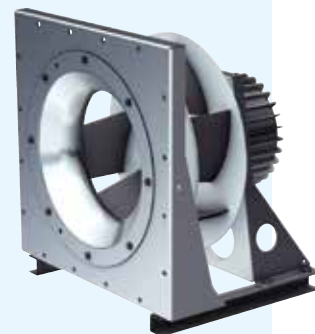
This means: With Nicotra Gebhardt fans you are equipped for the future and will benefit in three ways: Higher level of efficiency, lower electricity costs and conformity with the standards of tomorrow.

Incidentally: We are your first port of call for profiled impeller blades. Back in 1975, we introduced the first hollow-profile blade onto the market. Since then we have achieved the very best level of efficiency with our fans, in all application areas again and again.



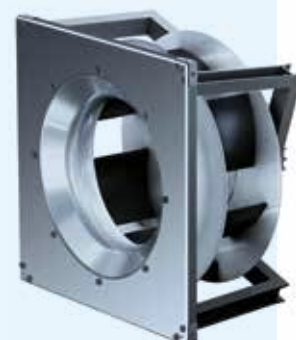
THE RLM EVO E6 RANGE FOR INSTALLATION IN AIR PROCESSING UNITS

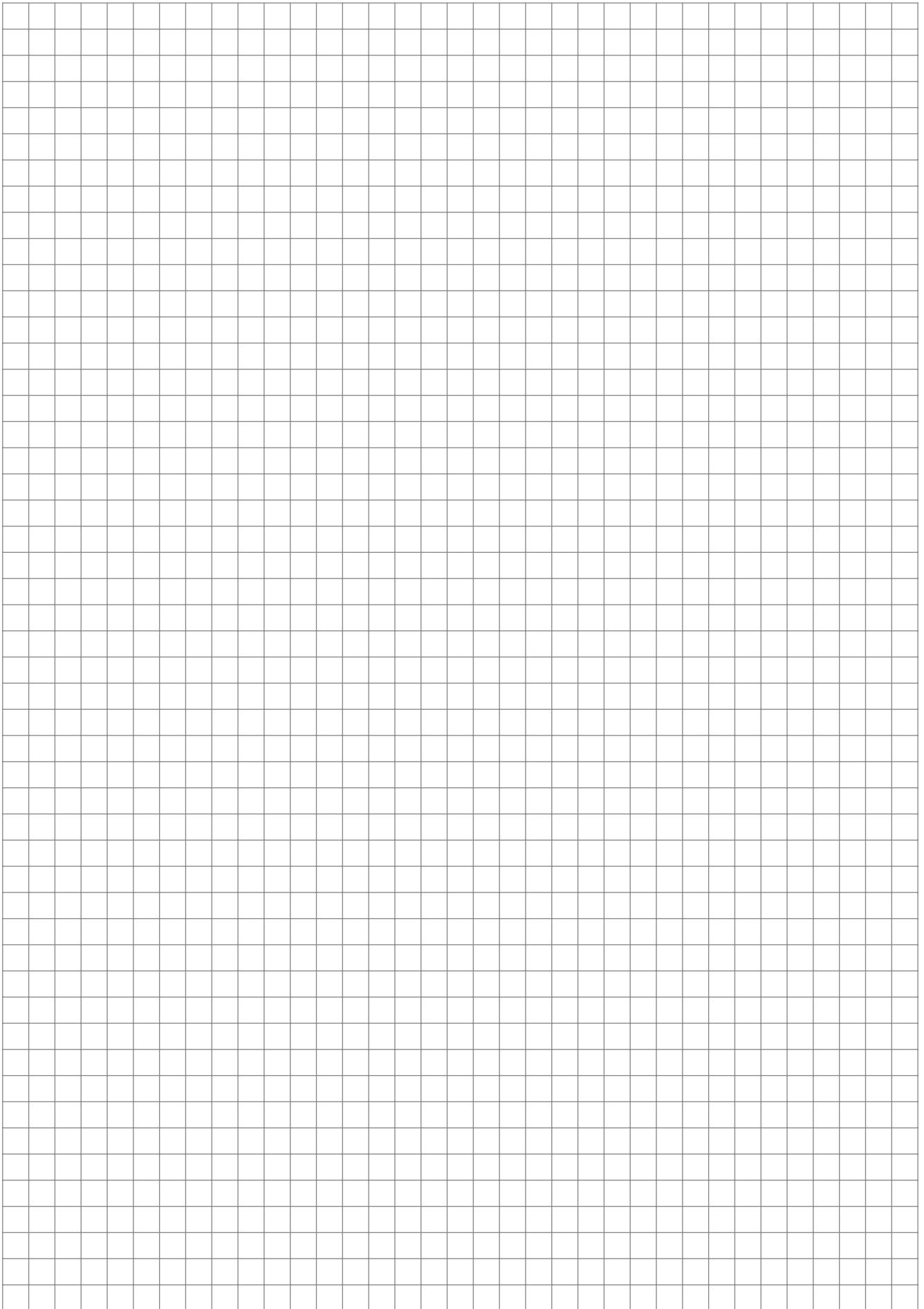
- | | | |
|--|--|---|
| <ul style="list-style-type: none"> • Internal rotor motor level of efficiency IE5 • Horizontal installation • Impeller size 280 – 900 • Max. motor power 18 kW • Control system with integrated electronics | <ul style="list-style-type: none"> • Internal rotor motor level of efficiency IE5 • Horizontal installation • Impeller size 250 – 900 • Max. motor power 17 kW • Control system with frequency inverter | <ul style="list-style-type: none"> • Internal rotor motor level of efficiency IE3 • Horizontal installation • Impeller size 280 – 1250 • Max. motor power 45 kW • Control system with frequency inverter |
|--|--|---|

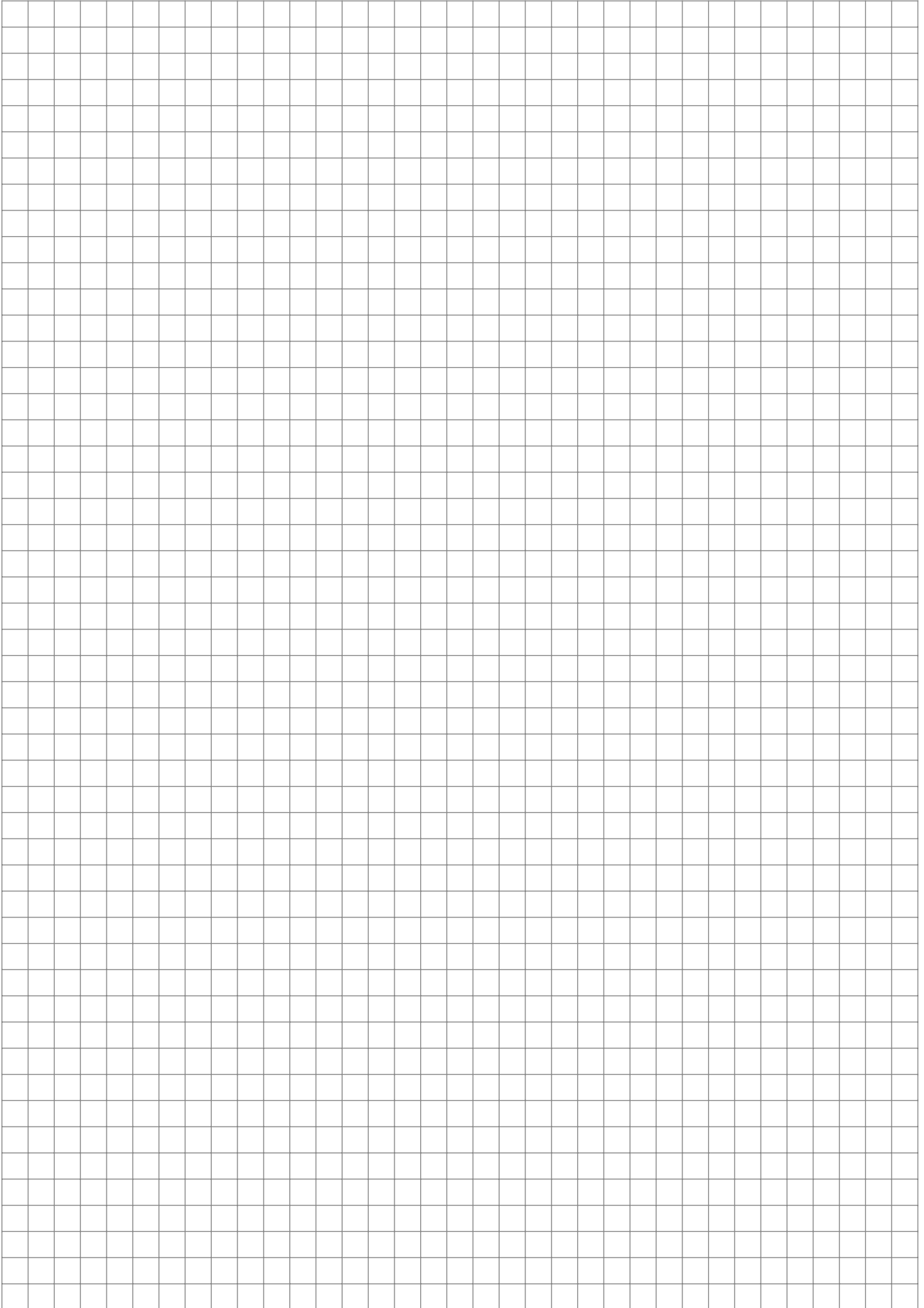


THE RLM EVO E3 RANGE FOR INSTALLATION ON THE CEILING OR THE FLOOR

- | | | |
|--|--|--|
| <ul style="list-style-type: none"> • Internal rotor motor level of efficiency IE5 • Vertical installation • Impeller size 280 – 710 • Max. motor power 12 kW • Control system with integrated electronics | <ul style="list-style-type: none"> • Internal rotor motor level of efficiency IE5 • Vertical installation • Impeller size 280 – 710 • Max. motor power 12 kW • Control system with frequency inverter | <ul style="list-style-type: none"> • Internal rotor motor level of efficiency IE3 • Vertical installation • Impeller size 280 – 710 • Max. motor power 11 kW • Control system with frequency inverter |
|--|--|--|







WORLDWIDE LOCATIONS

NICOTRA-GEHARDT.COM



NICOTRA|Gebhardt®

Nicotra Gebhardt Germany

Nicotra Gebhardt GmbH

Gebhardtstraße 19-25

74638 Waldenburg (Germany)

Phone +49 7942 1010

Fax +49 7942 101 170

E-Mail info.ng.de@regalbeloit.com

Web www.nicotra-gebhardt.com

APPLICATION CONSIDERATIONS

The proper selection and application of products and components, including the related area of product safety, is the responsibility of the customer. Operating and performance requirements and potential associated issues will vary appreciably depending upon the use and application of such products and components. The scope of the technical and application information included in this publication is necessarily limited. Unusual operating environments and conditions, lubrication requirements, loading supports, and other factors can materially affect the application and operating results of the products and components and the customer should carefully review its requirements. Any technical advice or review furnished by Regal Beloit America, Inc. and/or its affiliates ("Regal") with respect to the use of products and components is given in good faith and without charge, and Regal assumes no obligation or liability for the advice given, or results obtained, all such advice and review being given and accepted at customer's risk.

For a copy of our Standard Terms and Conditions of Sale, please visit <https://www.regalbeloit.com/Terms-and-Conditions-of-Sale>. These terms and conditions of sale, disclaimers and limitations of liability apply to any person who may buy, acquire or use a Regal product referred to herein, including any person who buys from a licensed distributor of these branded products.

Regal, Nicotra Gebhardt and RLM Evo are trademarks of Regal Beloit Corporation or one of its affiliated companies.

©2021 Regal Beloit Corporation, All Rights Reserved.

Nicotra Gebhardt Italy

Regal Beloit Italy S.p.A.

Via Modena, 18

24040 Zingonia (BG) (Italy)

Phone +39 035 873 111

Fax +39 035 884 319

E-mail info.ng.it@regalbeloit.com

Web www.nicotra-gebhardt.com

REGAL®