

RDP

THE EFFICIENT ALL-ROUNDER

230 V SINGLE-PHASE MODELS

CATALOGUE 2021

RDP Catalogue Package: assembled 2021-10-21
RDP 1-Ph Catalogue Ed.3.0 - 2021-05-18
RDP 3-Ph Catalogue Ed.2.1 - 2021-10-21

REGAL®

The RDH fan acquires its own life

Compact and efficient

External-rotor, permanent-magnet motors, although still not always being the best available technology, have set a widely-accepted benchmark level in terms of efficiency and compactness of the drive systems for fans.

The availability of such compact drive systems, with a speed intrinsically adjustable and independent from pole number and network frequency, has brought again to the forefront the double-inlet backward-curved fan, a fan type which has long been the mainstay of the air-conditioning and ventilation industry.

Notwithstanding the fact that their aerodynamic efficiency still remains unmatched, in the last few years these fans have seen a downward trend, because of the intrinsic inefficiency of their traditional drive arrangement, based on standard-frame AC motors and belt-drives.

This arrangement provided a high degree of flexibility, in terms of operating speed and installed power, but the relatively good energy efficiency of the standard-frame motors was in many cases spoiled by the belt drive, which introduced a significant amount of friction.

It was also a guaranteed source of reliability issues, in case of improper design, installation or maintenance and was also quite demanding for periodical maintenance.

The RDP brings new life to the concept of the double-inlet backward-curved fan, by integrating the known and proven aerodynamics of the highly successful Nicotra Gebhardt RDH range, with an advanced derivative of the direct-drive system developed for the DDMP range of forward-curved fans.

This new drive arrangement removes all the traditional problems of the belt-driven fans.

The RDP fan, incorporating a direct-drive system, is more compact than conventional belt-driven double-inlet fans with a standard motor mounted behind the scroll, with the motor fitted across the belt drive or in-line with the fan shaft.

RDP also does not need the vertical space required by a plenum fan / plug fan, outside the impeller, to achieve a performance being reasonably close to its nominal ratings.

The direct-drive solution has additional advantages: by removing the source of dust created by the wearing rubber belts, it removes the need to fit a filter downstream of an air-supply fan, thus reducing the pressure loss and allowing the installation of the fan blowing directly into a supply duct.

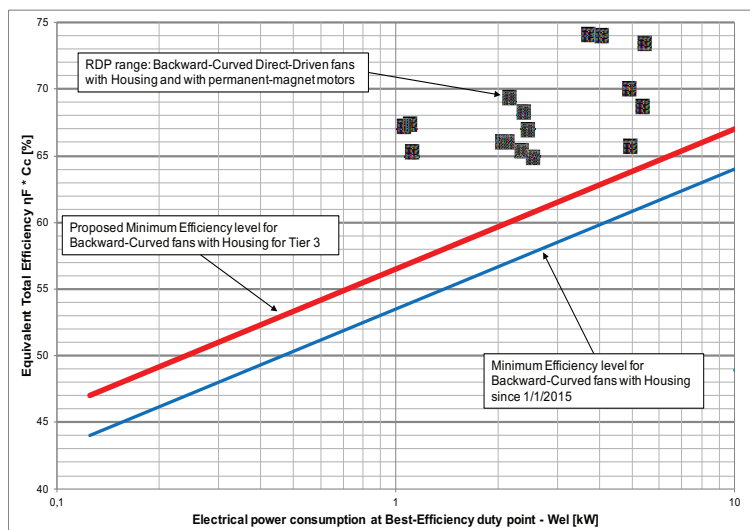
This arrangement is by far the best in terms of energy efficiency. It is the only fan installation to actually use the dynamic pressure imparted to the fan discharge airflow for the useful purpose of propelling it along the outlet-side duct.

Using the dynamic pressure is the most energy-efficient method. If lost, additional static pressure is required from the fan duty-point specification in order to convert into dynamic pressure at the duct entry.

ErP Compliant, Now and in the Future

The combination of an efficient fan with an even more efficient drive system creates a product which is simple to install and use, while still providing operating efficiencies which are between 8% and 14% better than conventionally-driven backward-curved fans.

This outstanding performance is enough to comfortably exceed both the current ErP minimum efficiency requirements for backward-curved fans, and also those being proposed for the third tier of the EU legislation on this product.



An Affordable Solution

Although incorporating advanced technical solutions, the RDP is conceived to provide, in a simple package, a competitive performance with an affordable cost for the customer:

Purchase cost:

- the RDP fan is engineered for fast-rate and cost effective series production;
- the RDP fan already incorporates the motor and an advanced driver: no need for additional or separate components.

Installation cost:

- no additional assembly is required for fan, motor or driver;
- the different advanced operational modes can be configured on the same standard fan, with a simple computer program and a connection cable, providing design flexibility without having to stock many different variants of the same fan.
- no need for complex inverter configurations: the one-piece functional unit does not need connection of different components or complex configuration to be operated, out-of-the-box, in its basic operation mode.

Maintenance cost:

- replacing belt-driven fans with the direct-driven RDP, effectively removes the cost of periodical belt maintenance;
- the electronic control unit, which is the most critical component for the operating life of an EC fans, not an integral part of the motor structure, instead it has been specifically designed as a replaceable component part.
This modular concept extends considerably the operational life of the fan without the need for extensive rework.

Energy cost:

- the RDP significantly reduces power consumption, in comparison with solutions using older technology.

Disposal cost:

- manufactured using the maximum possible level of recyclable materials.

A drop-in solution for refurbishment

The RDP has the same dimensions of conventional belt-driven double-inlet metric-sized fans commonly used inside air handling units.

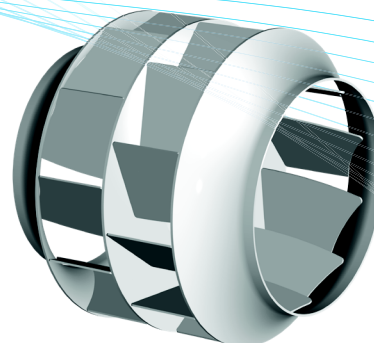
While simplifying installation within new units, designed for belt-driven or coupling-driven fans, this makes the RDP even easier to fit within existing units, providing a quick and effective solution for the refurbishment of existing products, still incorporating outdated and energy-thirsty fans.

Advanced Manufacturing Technology

The manufacturing methodology used for the production of RDP fans has been specifically conceived to provide consistent quality across large production runs.

The RDP scrolls are manufactured on automatic assembly stations, from pressed and rolled components made of galvanised steel plate. The new lightweight high-efficiency impellers are made of welded aluminium, to reduce the weight of the rotating parts and reduce vibration and noise to an absolute minimum.

An additional advantage of the aluminium impeller is its natural resistance to corrosion, which does not rely on any painting or coating process. Each fan is configured, test-run and balanced at the end of the assembly line.



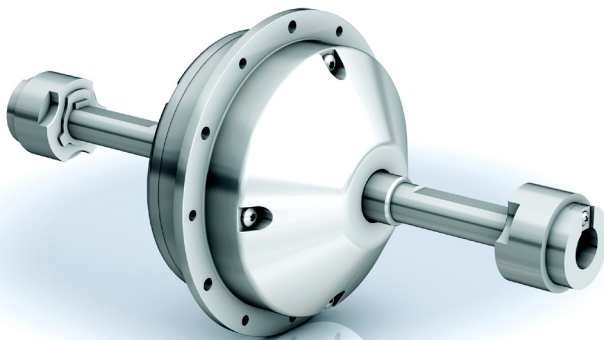
Advanced Motor Technology

The RDP drive system draws its technology from the advanced system developed for the DDMP fans, built around a new series of external-rotor, permanent-magnet motors, specifically designed for integration within double-inlet fans.

The compact external-rotor motors use high-intensity neodymium magnets, reducing the size of the motors while, at the same time, improving the motor efficiency above that achieved by competing designs still using conventional ferrite magnets, and significantly above that of the standard-frame motors of the past.

Thanks to this revolutionary choice, and to a careful design, the new Nicotra-Gebhardt PM motors achieve IE5 efficiency levels. The smaller size and optimal shape of the Nicotra Gebhardt motors is important because:

- allows the installation of powerful motors within the tight space provided by the backward-curved impellers, thus achieving relatively high speeds and pressures;
- reduces the interference of the frame of the motor onto the airflow passing through the impeller, thus improving the fan aerodynamic efficiency and the operating noise levels.



Fan Models

The RDP fans, whichever size or motor variant, are available in two different mechanical arrangements, identified as follows:

- 1. RDP E0-(size)** (identifiers for motor and options): Basic fan where the motor and impeller assembly are supported on mounting brackets, integrating rubber vibration dampers, and bolted onto the inlet nozzles.

The fan may be supported on mounting feet, available as accessories, fastened to the scroll side-plates.

- 2. RDP E2-(size)** (identifiers for motor and options): The same fan described above, fitted with two rectangular frames, made of galvanised-steel L-section bars and bolted to the side-plates, allowing the installation of the fan on each one of the four sides.

Frames for conversion of the E0 models into E2 models are also available as accessories.

In both cases, an outlet flange is available as an option. The flange is intended for connection with an outlet-side duct, using a flexible duct joint.

Nicotra-Gebhardt does not recommend supporting the fan by the standard outlet flange, unless this is specially reinforced for this purpose.

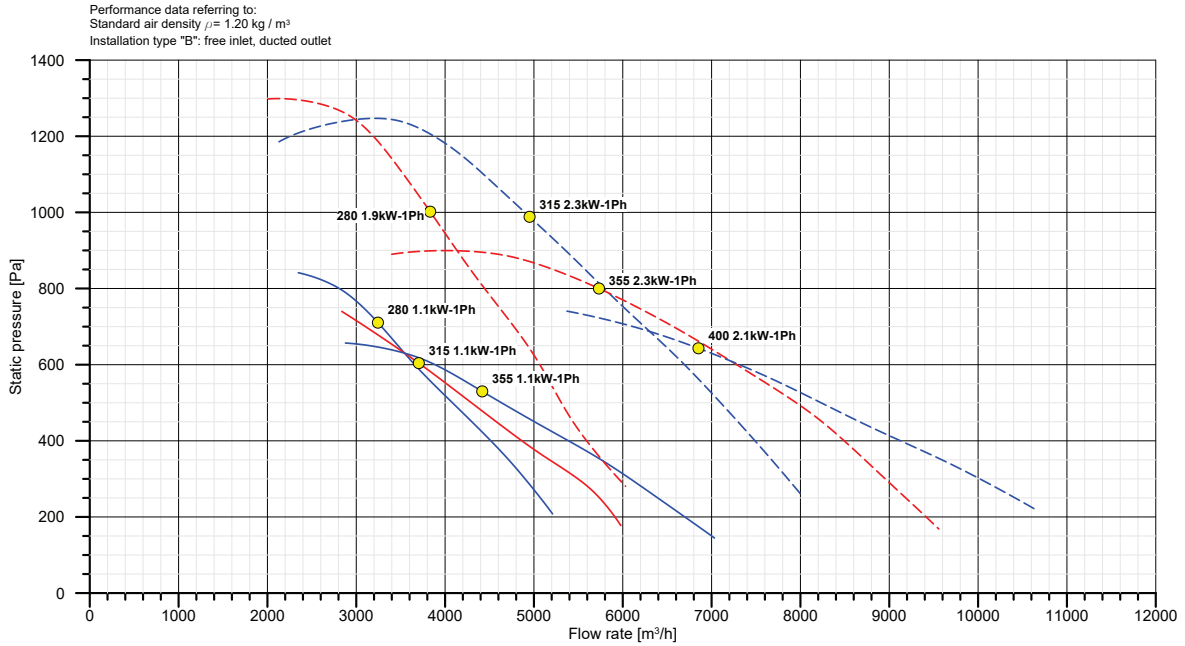
Please contact Nicotra Gebhardt for assistance, in this case.

A steadily increasing range

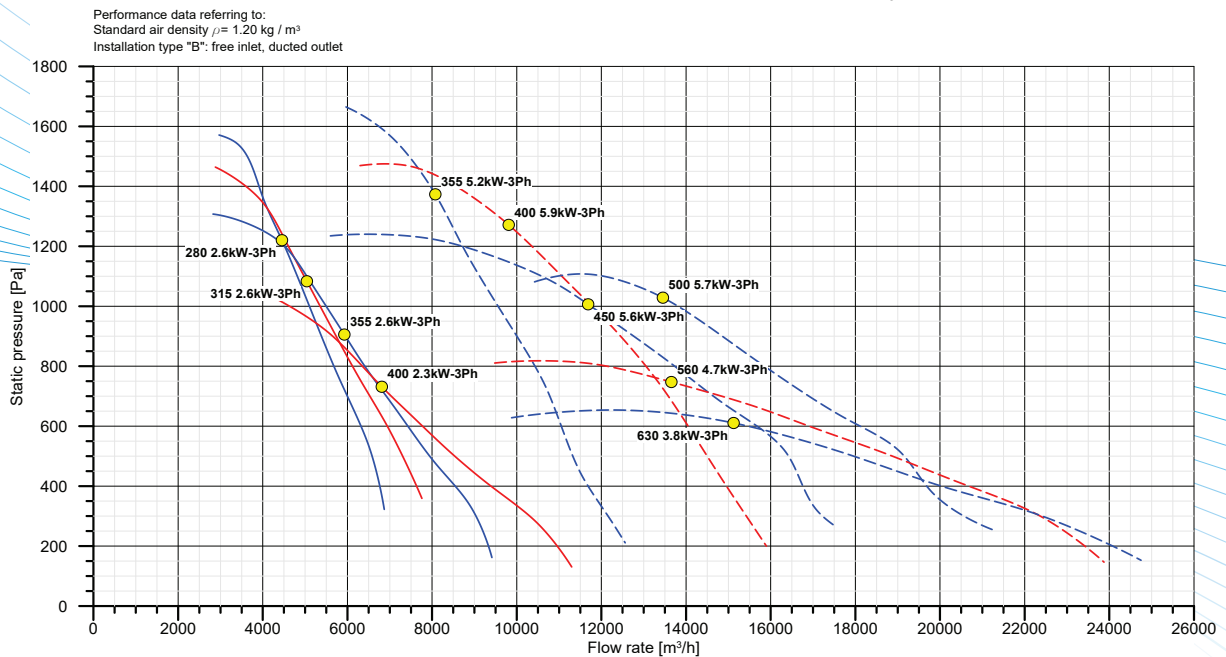
The single-phase RDP range covers fan sizes from 280 to 400 mm, with two different sizes of on-board driver, having nominal input power of 1.1 and 2.2 kW.

The RDP range also includes three-phase models with the same sizes and nominal power of 2.6 kW, and the new high-power models, from size 355 up to 630 mm, and power up to 5.5 kW.

RDP:
Direct-driven Backward-curved fan range with High-efficiency PM motors
Performance range with 1.1 kW & 2.2 kW Single-phase on-board drivers.
 Models shown with a continuous line are fitted with 1.1 kW drivers.



RDP:
Direct-driven Backward-curved fan range with High-efficiency PM motors
Performance range with 2.6 kW and 5.5 kW Three-phase on-board drivers.
 Models shown with a continuous line are fitted with 2.6 kW drivers.



Updated 2021-05-10

Smart EC Motor Controllers

The motor controllers or “drivers”, fitted to the RDP fans, are currently two single-phase units, of either 1.1 kW or 2.2 kW nominal input power, both incorporating an advanced active input stage, providing power factor control (power factor is continuously adjusted to unity). This design also provides harmonics filtering to guarantee compliance with the EMC requirements applicable to domestic and equivalent environments (“first environment”), or with the advanced requirements for harmonic distortion which apply to data centres. These drive systems comply with C1-class levels for power-drive systems, according to EN 61800-3, throughout the range of EMC requirements, and also with the more demanding immunity requirements for industrial environments, according to EN 61000-6-2. All these driver units have been designed with sensorless technology, to simplify their architecture and increase their operational reliability.

The RDP drivers are factory-configured to operate in their simpler operation mode, i.e. with continuous speed control, having the fan speed proportional to an analogue input signal (0-10 Vdc or PWM).

The drivers incorporate advanced protection features, preventing the user from exceeding the safety limits of the driver and the motor. If the combination of the air system configuration and the speed demand from the user bring the fan to exceed one or more of the limits, which are set for input power, motor torque, or operating temperature of the electronics, then the fan speed and power requirement is automatically restricted, to bring-back the fan within safe operating conditions.

The performance diagrams of the different RDP fan models, under standard laboratory conditions, as shown in this catalogue, already account for this automatic restriction of the fan performance, according to power and torque limits.

If the software protection features should not be enough, a thermo-switch is fitted inside all motors, to stop the drive-system, preventing any permanent damage from overloading and overheating.

By design, these drive systems are insensitive to the frequency of the power supply, so the RDP single-phase fans are suitable for operation with any power network at 50 or 60 Hz frequency, in the 220-240 V nominal voltage range.

Advanced Operating Modes

The smart drivers can provide advanced functions, extending way beyond the simple speed control and safety monitoring.

Different, advanced operating modes can be activated with the use of a dedicated software for PC and an USB-RS485 interface cable.

Most operating modes require an input value, e.g. a speed setting, which can normally be assigned in three different ways:

- A.** can be set via the analogue input;
- B.** can be permanently stored in an Eprom register, via Modbus, or
- C.** can be written in a volatile register, via Modbus again.

An Eprom register holds its value when the fan is powered-off and can be overwritten many times, but not an infinite number of times, so it should be used when the fan has to be configured for a given performance level, at the time of commissioning, and then left working without further adjustment.

The Modbus link is then no longer needed for operation, but may still be useful, at a later stage, for fan troubleshooting or re-configuration.

A volatile register, in the micro-processor of the driver, can be written an infinite number of times, so this is the approach of choice when the target value has to be continuously adjusted via Modbus, but its value must be re-assigned whenever the fan is started again after having been powered-off.

Alternative speed-control modes

In the alternative speed control modes, the target speed value, instead of being a 0-10 Vdc or PWM signal, can be provided by Modbus, either on the appropriate permanent Eprom register, or in a corresponding volatile register, like in cases B and C listed above.

Including the analogue-input speed-control mode, which is set up on all new fans as factory default, different speed control modes are available for all the three alternative input channels, A, B or C.

PID modes

Another group of selectable operating modes is providing PID control using the analogue input channel for the measurement of a status variable with an external sensor.

This can be, e.g., a value of pressure or temperature, or a concentration of CO₂ in the air, which can be kept at a desired value by adjustment of the fan speed and volume flow-rate. As the analogue input channel is used for the signal from the external sensor or transducer, the target value for the PID must be set via the Modbus interface, either permanently in an Eprom register, or in a volatile register.

Volume-control with pressure transducer

A note must be provided, on constant-volume operation with backward-curved fans: because of their physical properties, these fans cannot be controlled, to a pre-set volume-flow rate, just by measuring their electrical consumption.

Constant-volume operation can be achieved by choosing an RDP fan variant provided with the optional "VM" ("Volu-Meter") pressure-probes, fitted to the inlet nozzles of the scroll case, and by adding a pressure measurement-sensor (e.g. Nicotra Gebhardt p/no. K43198), connected to the probes and to the signal input of the driver, properly set in PID mode.

With this arrangement, even on backward-curved fans like RDP it is possible to compensate a change of the pressure-loss in the air system (e.g. because it was not exactly known at the time of choosing a ventilation unit, or because some filter clogging occurs during the operation of the system) and keep the operating flow rate unmodified, within the pressure and power capability of the fan.

Slave mode

A last advanced mode is the "Slave" mode, in which the RDP fan is set up to closely follow the speed of another RDP fan, the "master fan", which is running in any one of the other operating modes, by conforming the speed of the slave fan to the tachometric output signal generated by the master.

This control arrangement is not really required to operate a number of RDP fans in parallel, when they are run in a plain speed-control mode and driven by the same speed-setting input, but is highly recommended, to prevent system instability, when more fans in parallel are operating in PID mode (including closed-loop and constant-volume operation with airspeed or pressure transducers).

Running the RDP fans in parallel in a Master & Slave control arrangement, avoids the risk that each fan may independently start "hunting", in an inconclusive endless search of a stable duty point.

Specifications

RDP 1.1 kW & 2.2 kW 1-Phase range

Direct-driven, double-inlet backward-curved centrifugal fan, with high-efficiency impeller and drive system. The drive system includes a high-efficiency external-rotor permanent-magnet motor and a smart electronic motor driver, providing speed-control and self-protection against overloading or overheating.

The external-rotor motor, using high-intensity rare-earth magnets for better efficiency and compactness, is directly integrated in the hub of the impeller and supported on both sides with streamlined brackets, incorporating integral vibration dampers.

The single-phase 1.1 kW or 2.2 kW drivers, fitted to the fan scroll case, provide advanced control functions as well as both analogue and digital external interfaces, and incorporate an active power factor control device, keeping the fan power factor constantly at optimum values, as well as restricting harmonic distortion on the supply network.

The drive system complies with the requirements of the C1-class for EMC-compatibility levels, for power-drive systems, according to EN 61800-3, throughout the range of EMC requirements, and also with the more demanding immunity requirements for industrial environments, according to EN 61000-6-2.

The solid scroll cases are made of a pair of pressed side-plates, supporting the streamlined inlet nozzles, and a rolled back-plate, all made of galvanized steel and joined, without welding, with a special cold-rolling process, to prevent both corrosion and vibration.

The high-efficiency lightweight backward-inclined impellers, directly bolted onto the motor, are made of welded aluminium plate, to guarantee the stiffness and strength needed for high-speed operation, without generating unmanageable vibrations.

Code	Description	Size	Motor	Driver	
6RA0005ZZ0000000	RDP E0-0280 1.1kW 230V-1F M6A8 DA5	280	1416A8	1431A5	
6RA0005ZZ0000001	RDP E0-0280 1.1kW 230V-1F M6A8 DA5 +FL	280	1416A8	1431A5	
6RA0006ZZ0000000	RDP E0-0315 1.0kW 230V-1F M6A8 DA5	315	1416A8	1431A5	
6RA0006ZZ0000001	RDP E0-0315 1.0kW 230V-1F M6A8 DA5 +FL	315	1416A8	1431A5	
6RA0007ZZ0000000	RDP E0-0355 1.1kW 230V-1F M6A5 DA5	355	1416A8	1431A5	
6RA0007ZZ0000001	RDP E0-0355 1.1kW 230V-1F M6A5 DA5 +FL	355	1416A8	1431A5	
6RB0005ZZ0000000	RDP E0-0280 1.9kW 230V-1F M6A8 DA8	280	1416A8	1431A8	
6RB0005ZZ0000001	RDP E0-0280 1.9kW 230V-1F M6A8 DA8 +FL	280	1416A8	1431A8	
6RB0006ZZ0000000	RDP E0-0315 2.3kW 230V-1F M6A5 DA8	315	1416A5	1431A8	
6RB0006ZZ0000001	RDP E0-0315 2.3kW 230V-1F M6A5 DA8 +FL	315	1416A5	1431A8	
6RB0007ZZ0000000	RDP E0-0355 2.3kW 230V-1F M6A6 DA8	355	1416A6	1431A8	
6RB0007ZZ0000001	RDP E0-0355 2.3kW 230V-1F M6A6 DA8 +FL	355	1416A6	1431A8	
6RB0008ZZ0000000	RDP E0-0400 2.1kW 230V-1F M6A6 DA8	400	1416A6	1431A8	
6RB0008ZZ0000001	RDP E0-0400 2.1kW 230V-1F M6A6 DA8 +FL	400	1416A6	1431A8	

	Maximum values			Optimum energy efficiency point		IP fan grade	Tmin	Tmax	Page
	Adsorbed power	Pressure (q=0)	Flow rate (P=0)	Flow rate	Pressure				
	[W]	[Pa]	[m ³ /h]	[m ³ /h]	[Pa]		[°C]	[°C]	
	1098	865	5864	3244	710	54	-20	+40	10
	1098	865	5864	3244	710	54	-20	+40	10
	1036	793	6835	3704	604	54	-20	+40	14
	1036	793	6835	3704	604	54	-20	+40	14
	1082	686	7998	4418	530	54	-20	+40	18
	1082	686	7998	4418	530	54	-20	+40	18
	1931	1298	6865	3832	1002	54	-20	+40	12
	1931	1298	6865	3832	1002	54	-20	+40	12
	2267	1241	8965	4951	988	54	-20	+40	16
	2267	1241	8965	4951	988	54	-20	+40	16
	2308	920	10416	5732	800	54	-20	+40	20
	2308	920	10416	5732	800	54	-20	+40	20
	2113	762	12327	6852	643	54	-20	+40	22
	2113	762	12327	6852	643	54	-20	+40	22

Power: 1098 W (input, max) Protection Cl.: IP 54 (Motor)
 Poles: 8 Insulation Cl.: F
 Voltage: 220-240 V Thermal prot.: YES-Integral
 Supply: 1~ Temp. Min: -20 °C
 Frequency: 50-60 Hz Temp. Max: +40 °C
 Capacitor: n.a. Current Max: 4.7 A

Performance data referring to:
 Standard air density $\rho = 1.20 \text{ kg/m}^3$
 Installation type "B": free inlet, ducted outlet

Sound Power Levels shown are
 Inlet-side $L_{WA}(B, in+cas)$, A-weighted, in dBA

Integral speed-control by On-board Driver 1431A5

	qv m ³ /h	pfs Pa	Pe W	n rpm	I A	η_T %
○ Maximum performance curve (10 V)						
A	2348	841	1041	2596	4.43	54.1
B	3244	710	1098	2526	4.67	58.6
C	4191	475	1098	2473	4.62	53.9
D	4696	355	1097	2464	4.59	47.5
□ Performance at 2300 rpm						
A	1851	500	497	1996	2.13	52.6
B	2563	442	561	1996	2.39	58.3
C	3377	311	595	1996	2.54	53.8
D	3789	235	600	1996	2.56	48.2
△ Performance at 2000 rpm						
A	1376	280	231	1497	1.03	47.3
B	1888	249	259	1497	1.14	52.5
C	2473	180	273	1496	1.20	49.6
D	2829	132	277	1496	1.22	43.7
◇ Performance at 1500 rpm						
A	853	125	83	997	0.46	36.2
B	1225	109	91	997	0.48	42.4
C	1628	78	96	997	0.50	40.4
D	1877	56	98	997	0.51	35.3
▽ Performance at 500 rpm						
A	447	31	30	498	0.32	12.7
B	591	26	31	497	0.32	14.4
C	796	19	31	498	0.32	14.3
D	916	13	32	498	0.32	12.4

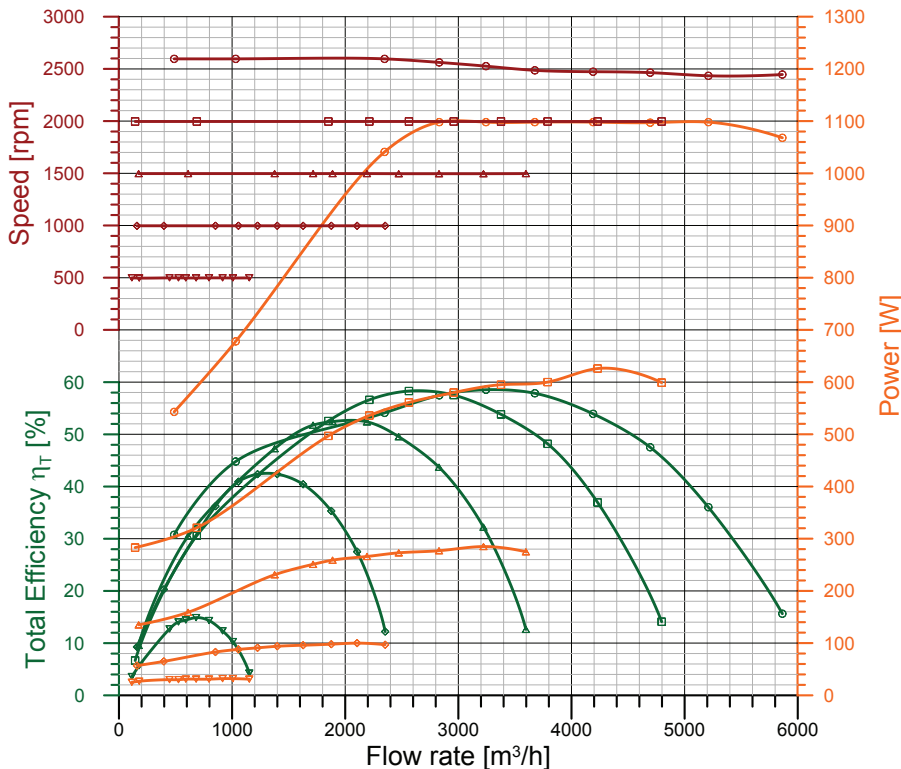
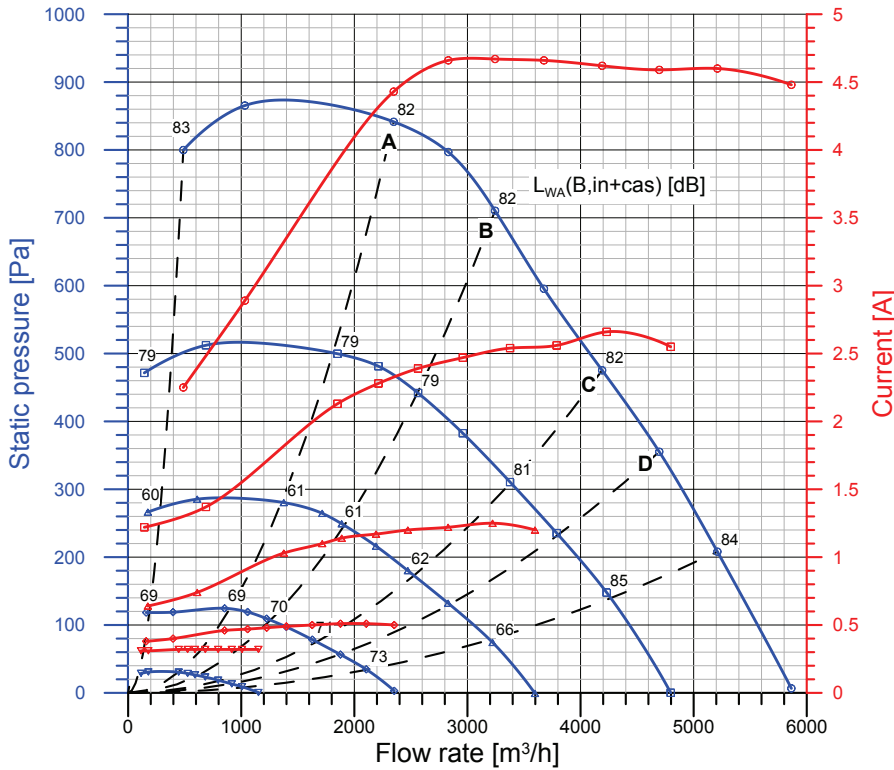
ErP Data acc. to Reg. 327/11/CE

Performance referred to the best efficiency duty point

Compl. with Reg. 327/11/EC: Tier II (2015)
 Overall Efficiency ($\eta \times Cc$) [%]: 63.5
 Measurement category: B
 Efficiency category: Total
 Efficiency grade N [%]: 73.6
 A variable speed drive is integrated with this fan
 Manufactured since: 2016
 By: *Nicotra Gebhardt S.p.A.*
Via Modena 18
24040 Ciserano - Italy
 Power input [kW]: 1.098
 Volume flow rate qv [m³/s]: 0.901
 Total Pressure [Pa]: 739
 Speed [rpm]: 2526
 Specific ratio: 1.007

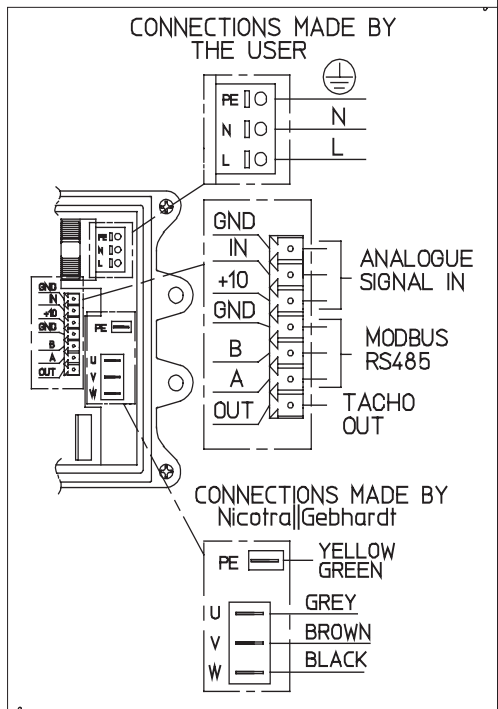
Information on:
 - Disassembly, recycling and disposal at end of life
 - Optimal installation, use and maintenance of fans
 are freely downloadable from
www.nicotra-gebhardt.com

Testing is carried out with the optional components of the test airway required, according to ISO 5801:2007, for the installation type detailed here on top.



Test nr.: S5405-000/1/3/4/5

WIRING DIAGRAM

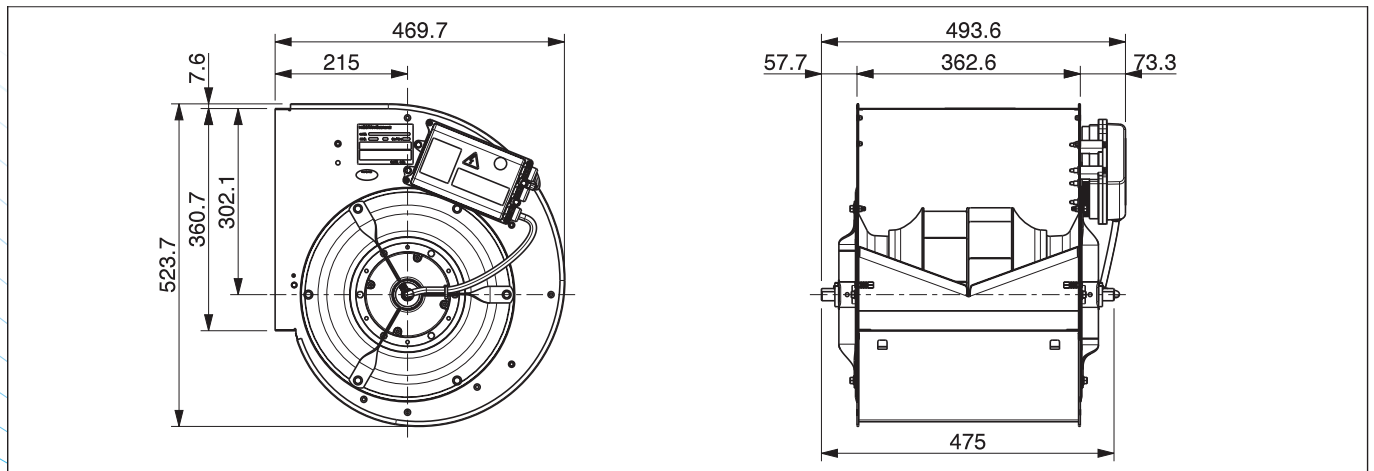


NOISE DATA

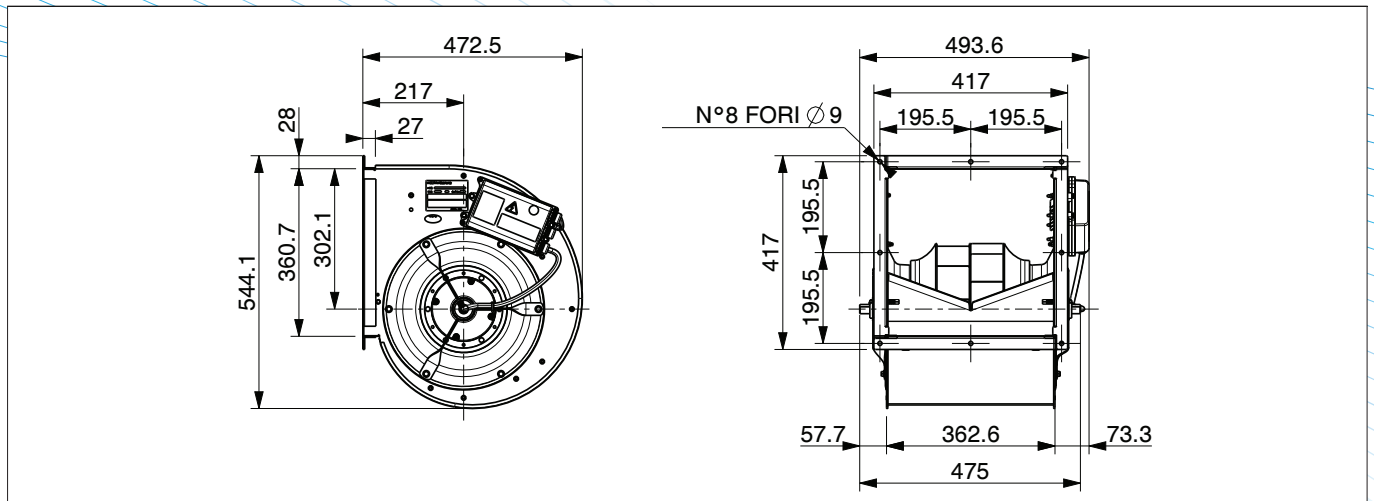
Working point	Sound power level for inlet side (Lw) in dB									
	m ³ /h	63	125	250	500	1k	2k	4k	8kHz	LwA
230 V / 50 Hz	2348	69,4	76,8	78,3	79,3	75,2	74,6	72,7	67,4	81,8
F.M.W.L.	3244	67,8	71,9	74,0	79,0	75,3	75,8	72,1	65,8	81,7
	4191	70,4	72,7	75,7	79,9	77,6	75,5	70,6	63,5	82,4
	4696	71,0	74,7	77,1	79,0	78,5	77,7	70,3	63,1	83,2
230 V / 50 Hz	1851	67,9	74,2	76,3	76,4	73,0	71,8	68,7	62,7	78,9
2300 rpm	2563	64,3	68,9	72,9	76,3	74,5	72,2	68,7	62,1	79,3
	3377	72,2	70,9	74,3	78,4	77,1	73,3	67,9	60,3	81,0
	3789	69,2	71,2	76,0	84,0	77,6	74,4	67,7	60,1	83,7
230 V / 50 Hz	1376	58,7	65,0	70,6	63,7	63,8	63,9	56,1	49,3	69,5
2000 rpm	1888	51,2	60,9	70,7	64,7	64,1	64,0	55,4	48,6	69,7
	2473	59,6	62,3	72,4	66,1	65,6	63,9	54,0	47,4	70,6
	2829	67,7	64,5	72,5	67,9	66,8	64,2	53,9	47,3	71,5
230 V / 50 Hz	853	51,5	59,2	61,7	56,9	57,4	50,9	43,5	36,8	60,9
1500 rpm	1225	60,1	58,2	62,3	58,2	57,2	50,4	42,8	36,1	61,1
	1628	65,0	66,4	63,2	60,6	56,9	50,0	41,8	35,8	62,1
	1877	65,0	61,3	66,6	60,9	58,1	50,2	41,7	35,9	63,2
230 V / 50 Hz	447	N.A.	N.A.	N.A.	N.A.	N.A.	N.A.	N.A.	N.A.	N.A.
500 rpm	591	N.A.	N.A.	N.A.	N.A.	N.A.	N.A.	N.A.	N.A.	N.A.
	796	N.A.	N.A.	N.A.	N.A.	N.A.	N.A.	N.A.	N.A.	N.A.
	916	N.A.	N.A.	N.A.	N.A.	N.A.	N.A.	N.A.	N.A.	N.A.

DIMENSIONAL DRAWINGS

6RA0005ZZ0000000 - RDP E0-0280 1.1kW 230V-1F M6A8 DA5



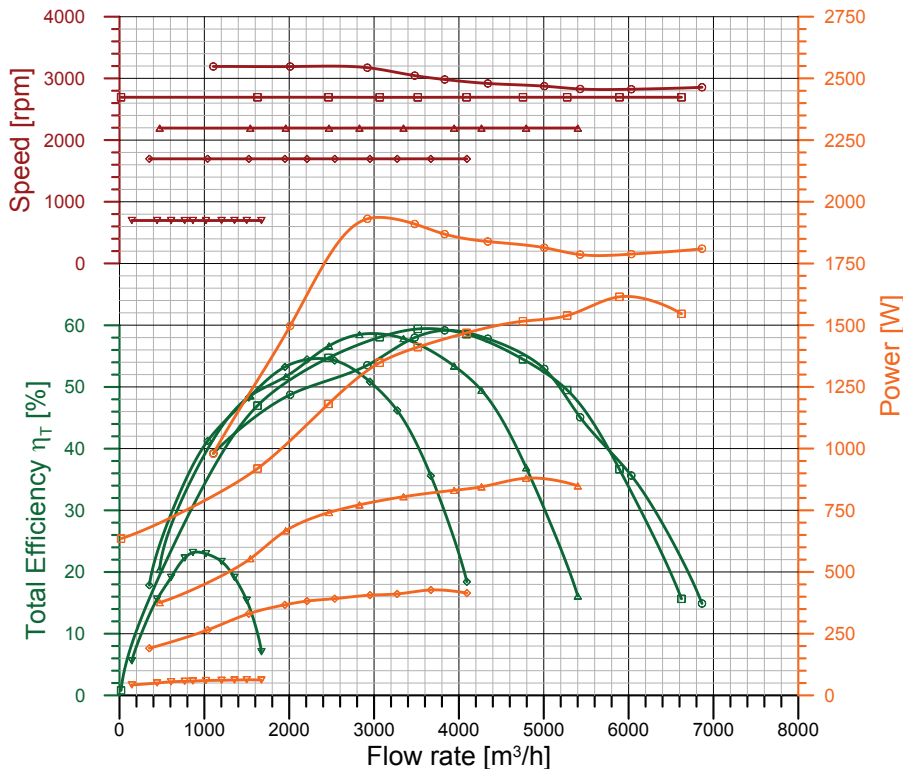
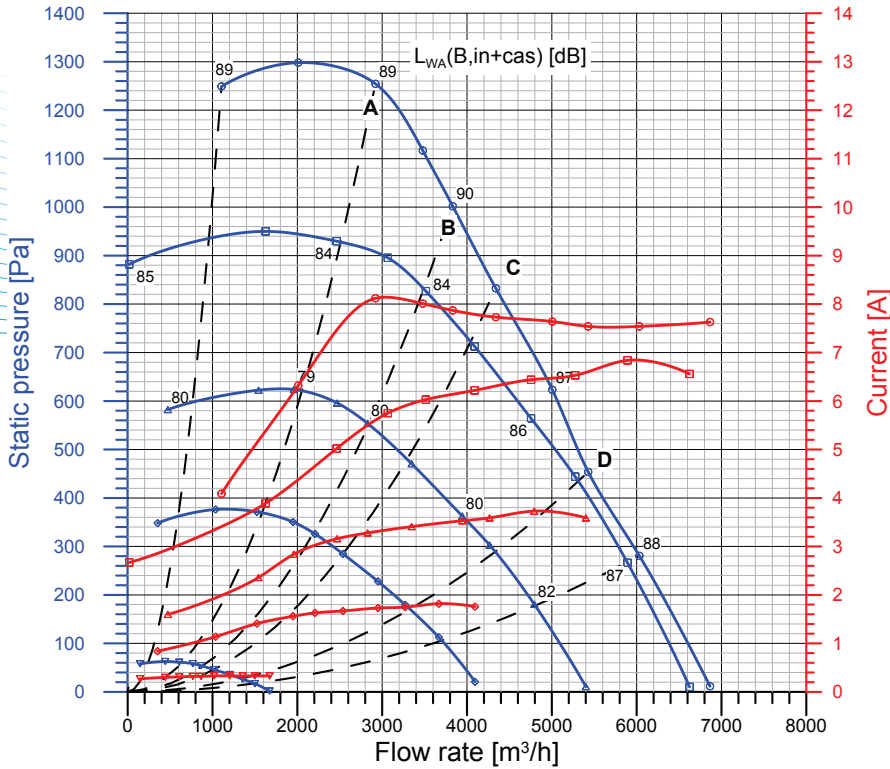
6RA0005ZZ0000001 - RDP E0-0280 1.1kW 230V-1F M6A8 DA5 + FL



Power: 1931 W (input, max)	Protection Cl.: IP 54 (Motor)
Poles: 8	Insulation Cl.: F
Voltage: 220-240 V	Thermal prot.: YES-Integral
Supply: 1~	Temp. Min: -20 °C
Frequency: 50-60 Hz	Temp. Max: +40 °C
Capacitor: n.a.	Current Max: 8.12 A

Performance data referring to:
Standard air density $\rho = 1.20 \text{ kg / m}^3$
Installation type "B": free inlet, ducted outlet

Sound Power Levels shown are
Inlet-side $L_{WA}(B, in+cas)$, A-weighted, in dBA



Integral speed-control by On-board Driver 1431A8

qv	pfs	Pe	n	I	η_T
m³/h	Pa	W	rpm	A	%

○ **Maximum performance curve (10 V)**

A	2921	1254	1931	3174	8.12	53.5
B	3832	1002	1869	2982	7.87	59.2
C	4340	832	1839	2918	7.73	57.8
D	5429	454	1786	2828	7.54	45.1

□ **Performance at 2700 rpm**

A	2463	930	1181	2694	5.02	54.7
B	3515	827	1411	2693	6.03	59.4
C	4090	713	1469	2694	6.22	58.6
D	5276	444	1539	2694	6.53	49.5

△ **Performance at 2200 rpm**

A	1959	624	667	2195	2.84	51.7
B	2828	554	772	2195	3.28	58.5
C	3347	471	805	2195	3.41	57.9
D	4266	303	845	2195	3.59	49.5

◇ **Performance at 1700 rpm**

A	1524	372	331	1696	1.41	48.3
B	2210	326	382	1696	1.63	54.5
C	2537	285	392	1696	1.67	54.3
D	3273	179	411	1696	1.75	46.2

▽ **Performance at 700 rpm**

A	608	61	55	696	0.31	19.1
B	865	54	58	696	0.32	23.2
C	1019	46	60	695	0.33	23.0
D	1355	26	62	696	0.33	19.1

ErP Data acc. to Reg. 327/11/CE

Performance referred to the best efficiency duty point

Compl. with Reg. 327/11/EC: Tier II (2015)

Overall Efficiency ($\eta \times C_c$) [%]: 63.3

Measurement category: B

Efficiency category: Total

Efficiency grade N [%]: 70.9

A variable speed drive is integrated with this fan

Manufactured since: 2016

By:

Nicotra Gebhardt S.p.A.

Via Modena 18

24040 Ciserano - Italy

Power input [kW]: 1.869

Volume flow rate qv [m³/s]: 1.064

Total Pressure [Pa]: 1042

Speed [rpm]: 2982

Specific ratio: 1.01

Information on:

- Disassembly, recycling and disposal at end of life

- Optimal installation, use and maintenance of fans

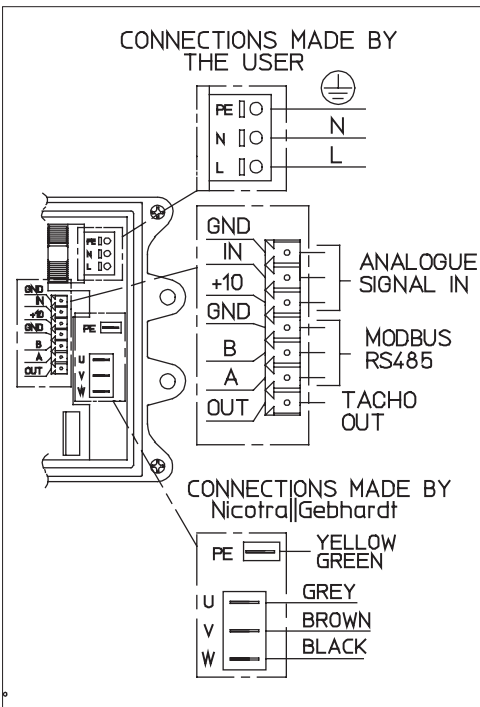
are freely downloadable from

www.nicotra-gebhardt.com

Testing is carried out with the optional components of the test airway required, according to ISO 5801:2007, for the installation type detailed here on top.

Test nr.: S5506-000/1/2/3/5

WIRING DIAGRAM

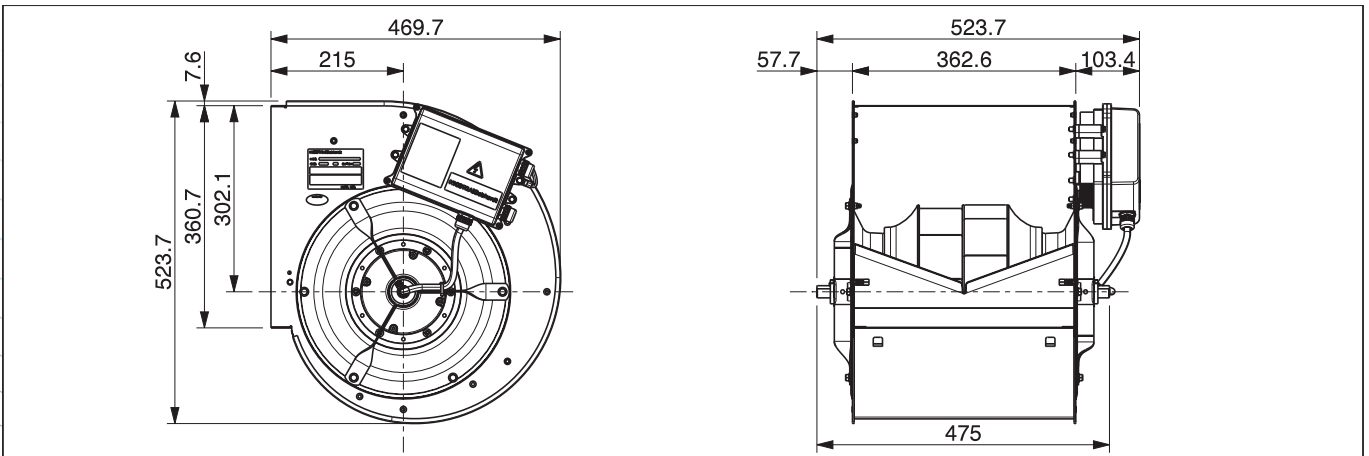


NOISE DATA

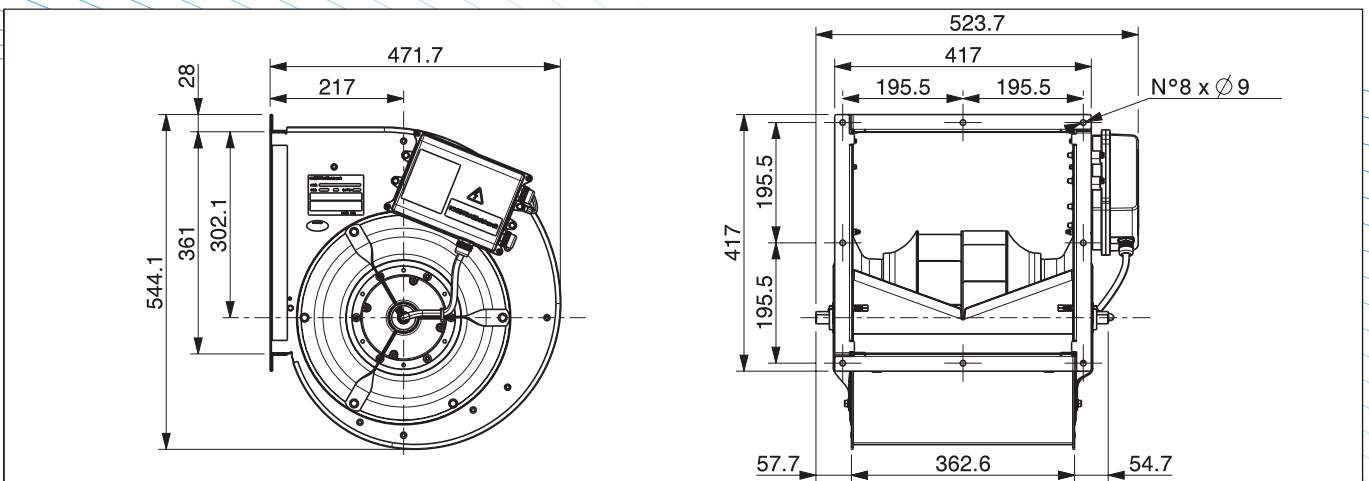
Working point	Sound power level for inlet side (Lw) in dB									
	m ³ /h	63	125	250	500	1k	2k	4k	8kHz	LwA
230 V / 50 Hz	2921	78,0	88,4	84,9	85,6	84,0	78,9	81,5	72,6	89,0
F.M.W.L.	3832	73,7	80,2	79,3	82,9	85,5	83,2	81,1	70,3	89,6
	4340	77,2	79,4	78,5	80,9	78,5	78,1	80,5	68,5	85,7
	5429	75,5	82,5	80,7	83,6	78,6	78,7	77,8	66,4	85,8
230 V / 50 Hz	2463	73,4	82,5	80,8	79,5	76,4	77,1	77,5	65,4	84,0
2700 rpm	3515	69,9	78,2	77,4	79,8	78,1	77,9	77,5	64,4	84,4
	4090	71,8	78,9	76,9	83,2	77,9	78,3	77,6	63,9	85,3
	5276	74,4	79,8	79,1	82,7	81,6	79,9	76,7	63,1	86,4
230 V / 50 Hz	1959	68,0	78,5	77,3	73,7	71,7	73,4	72,8	58,1	79,5
2200 rpm	2828	64,6	73,5	73,8	74,2	72,7	73,8	72,7	57,0	79,5
	3347	66,1	73,9	74,8	74,8	74,2	73,9	72,1	56,5	79,9
	4266	69,1	75,7	76,2	75,9	76,1	74,7	70,1	56,1	80,7
230 V / 50 Hz	1524	N.A.	N.A.	N.A.	N.A.	N.A.	N.A.	N.A.	N.A.	N.A.
1700 rpm	2210	N.A.	N.A.	N.A.	N.A.	N.A.	N.A.	N.A.	N.A.	N.A.
	2537	N.A.	N.A.	N.A.	N.A.	N.A.	N.A.	N.A.	N.A.	N.A.
	3273	N.A.	N.A.	N.A.	N.A.	N.A.	N.A.	N.A.	N.A.	N.A.
230 V / 50 Hz	608	N.A.	N.A.	N.A.	N.A.	N.A.	N.A.	N.A.	N.A.	N.A.
700 rpm	865	N.A.	N.A.	N.A.	N.A.	N.A.	N.A.	N.A.	N.A.	N.A.
	1019	N.A.	N.A.	N.A.	N.A.	N.A.	N.A.	N.A.	N.A.	N.A.
	1355	N.A.	N.A.	N.A.	N.A.	N.A.	N.A.	N.A.	N.A.	N.A.

DIMENSIONAL DRAWINGS

6RB0005ZZ000000 RDP E0-0280 1.9kW 230V-1F M6A8 DA8



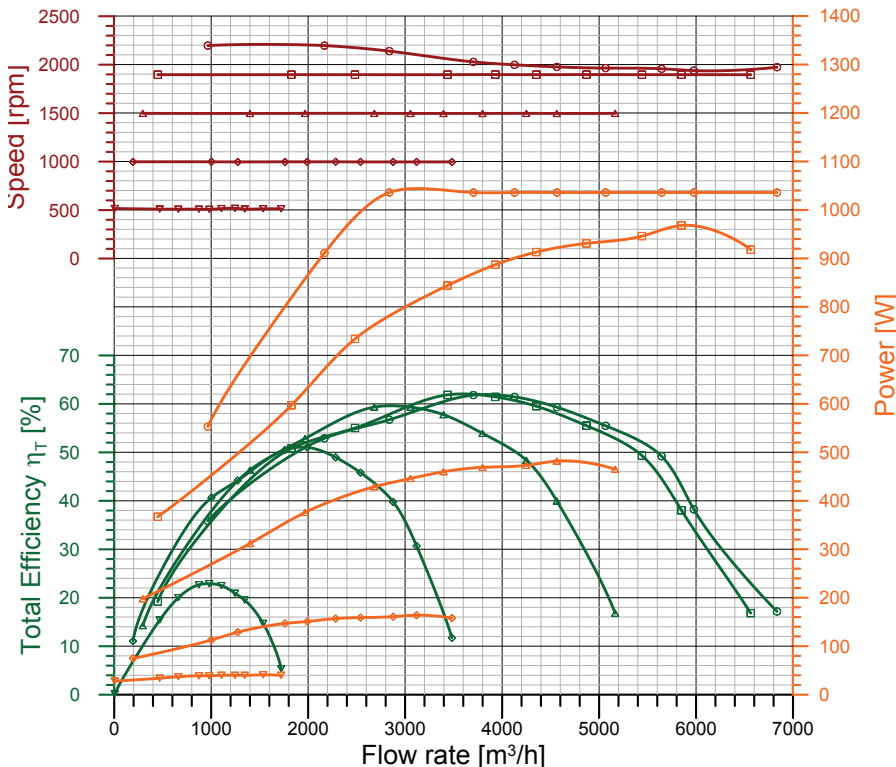
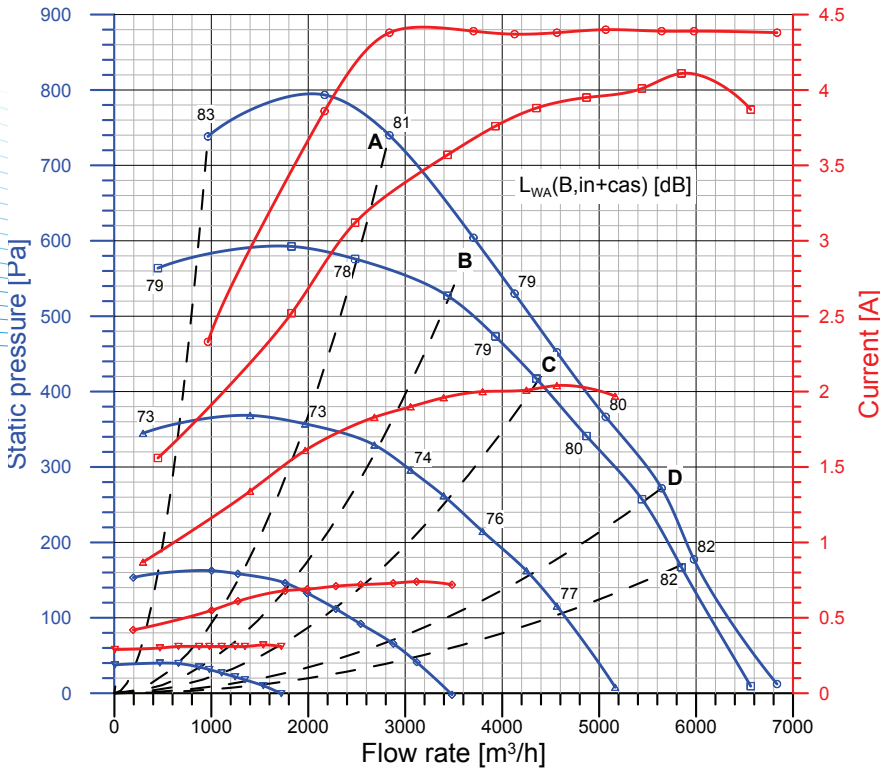
6RB0005ZZ0000001 RDP E0-0280 1.9kW 230V-1F M6A8 DA8 + FL



Power: 1036 W (input, max) Protection Cl.: IP 54 (Motor)
 Poles: 8 Insulation Cl.: F
 Voltage: 220-240 V Thermal prot.: YES-Integral
 Supply: 1~ Temp. Min: -20 °C
 Frequency: 50-60 Hz Temp. Max: +40 °C
 Capacitor: n.a. Current Max: 4.4 A

Performance data referring to:
 Standard air density $\rho = 1.20 \text{ kg/m}^3$
 Installation type "B": free inlet, ducted outlet
 Sound Power Levels shown are
 Inlet-side $L_{WA}(B, in+cas)$, A-weighted, in dBA

Integral speed-control by On-board Driver 1431A5



	qv m ³ /h	pfs Pa	Pe W	n rpm	I A	η_T %
○ Maximum performance curve (10 V)						
A	2837	740	1036	2140	4.38	56.7
B	3704	604	1036	2029	4.39	61.8
C	4565	452	1036	1977	4.38	59.3
D	5645	272	1036	1958	4.39	49.2
□ Performance at 1900 rpm						
A	2483	576	734	1897	3.12	55.0
B	3437	527	844	1897	3.57	61.9
C	4353	417	913	1897	3.88	59.5
D	5442	257	946	1897	4.01	49.3
△ Performance at 1500 rpm						
A	1968	357	376	1498	1.61	52.9
B	2682	329	429	1498	1.83	59.4
C	3396	262	460	1497	1.96	57.8
D	4250	163	473	1498	2.01	48.4
◇ Performance at 1000 rpm						
A	1274	158	129	997	0.61	44.2
B	1761	146	147	998	0.68	50.5
C	2284	112	157	998	0.71	49.0
D	2877	66	161	997	0.73	39.8
▽ Performance at 500 rpm						
A	661	39	37	509	0.31	20.0
B	874	35	39	509	0.31	22.7
C	1106	27	40	515	0.31	22.5
D	1346	18	40	511	0.31	19.5

ErP Data acc. to Reg. 327/11/CE

Performance referred to the best efficiency duty point

Compl. with Reg. 327/11/EC: Tier II (2015)
 Overall Efficiency ($\eta \times C_c$) [%]: 66.9
 Measurement category: B
 Efficiency category: Total
 Efficiency grade N [%]: 77.2
A variable speed drive is integrated with this fan
 Manufactured since: 2016
 By: Nicotra Gebhardt S.p.A.
 Via Modena 18
 24040 Ciserano - Italy
 Power input [kW]: 1.036
 Volume flow rate qv [m³/s]: 1.029
 Total Pressure [Pa]: 628
 Speed [rpm]: 2029
 Specific ratio: 1.006

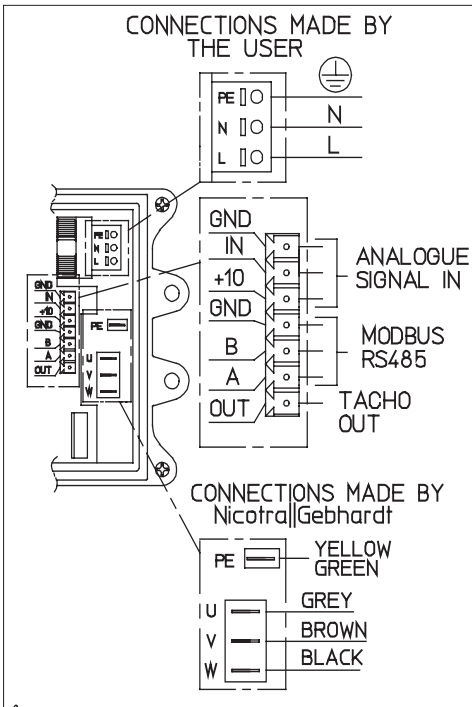
Information on:
 - Disassembly, recycling and disposal at end of life
 - Optimal installation, use and maintenance of fans

are freely downloadable from
www.nicotra-gebhardt.com

Testing is carried out with the optional components of the test airway required, according to ISO 5801:2007, for the installation type detailed here on top.

Test nr.: S5399-000/1/2/3/4

WIRING DIAGRAM

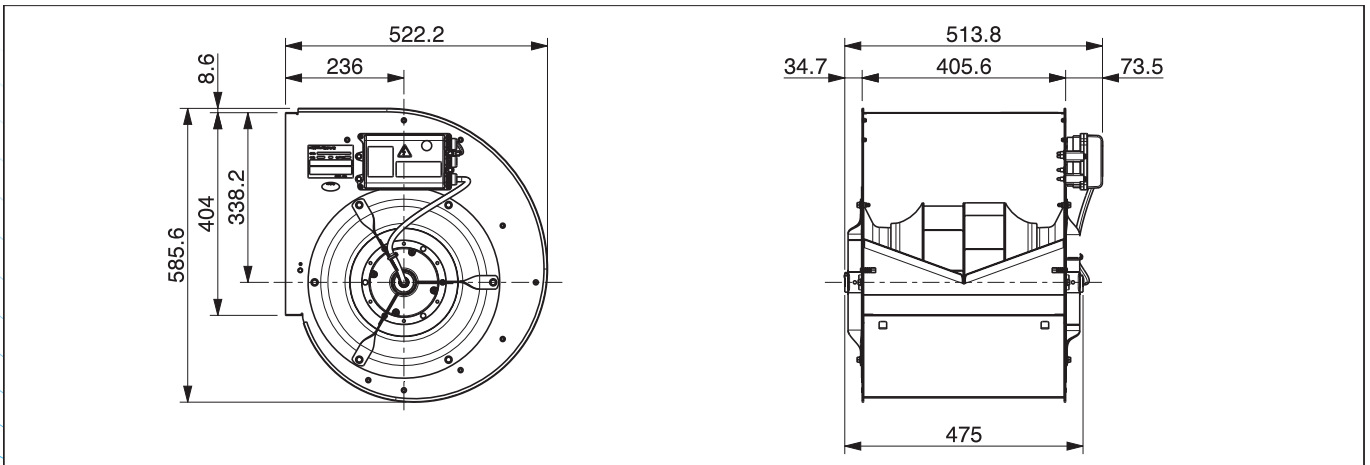


NOISE DATA

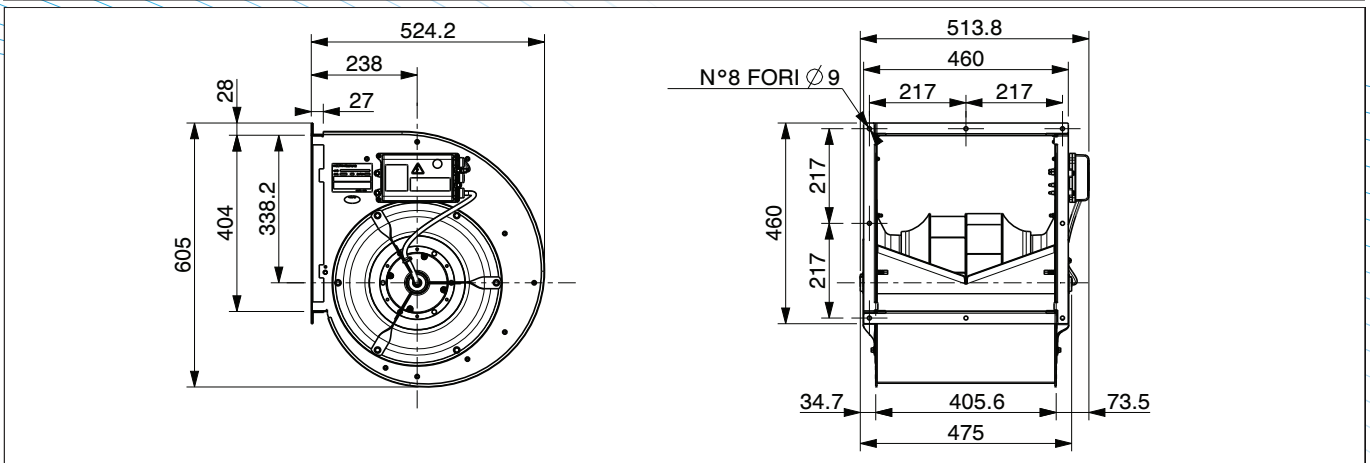
Working point	Sound power level for inlet side (Lw) in dB									
	m ³ /h	63	125	250	500	1k	2k	4k	8kHz	LwA
230 V / 50 Hz	2837	73,6	79,7	81,3	77,6	72,3	73,9	71,9	66,3	80,8
F.M.W.L.	3704	68,7	73,0	78,2	79,5	71,6	72,9	69,6	63,6	80,3
	4565	68,1	72,1	77,8	78,4	73,2	74,0	68,1	61,5	80,2
	5645	73,1	74,4	79,4	79,4	75,4	74,4	67,3	60,4	81,3
230 V / 50 Hz	2483	66,5	76,9	81,1	75,2	68,7	70,8	68,2	62,0	78,3
1900 rpm	3437	63,2	69,5	76,2	72,4	68,5	71,3	67,4	61,3	76,7
	4353	66,5	70,6	79,9	75,6	70,6	72,8	66,5	60,2	78,7
	5442	73,6	74,8	81,9	78,0	73,1	72,9	66,0	59,2	80,2
230 V / 50 Hz	1968	66,7	71,4	78,5	66,9	62,7	66,3	61,1	54,7	73,4
1500 rpm	2682	65,0	66,5	75,6	67,2	63,0	66,0	60,6	54,2	72,2
	3396	70,8	65,7	81,2	68,5	65,0	66,1	59,3	52,9	75,0
	4250	74,2	68,9	80,9	71,5	67,7	66,6	59,0	52,3	75,7
230 V / 50 Hz	1274	N.A.	N.A.	N.A.	N.A.	N.A.	N.A.	N.A.	N.A.	N.A.
1000 rpm	1761	N.A.	N.A.	N.A.	N.A.	N.A.	N.A.	N.A.	N.A.	N.A.
	2284	N.A.	N.A.	N.A.	N.A.	N.A.	N.A.	N.A.	N.A.	N.A.
	2877	N.A.	N.A.	N.A.	N.A.	N.A.	N.A.	N.A.	N.A.	N.A.
230 V / 50 Hz	661	N.A.	N.A.	N.A.	N.A.	N.A.	N.A.	N.A.	N.A.	N.A.
500 rpm	874	N.A.	N.A.	N.A.	N.A.	N.A.	N.A.	N.A.	N.A.	N.A.
	1106	N.A.	N.A.	N.A.	N.A.	N.A.	N.A.	N.A.	N.A.	N.A.
	1346	N.A.	N.A.	N.A.	N.A.	N.A.	N.A.	N.A.	N.A.	N.A.

DIMENSIONAL DRAWINGS

6RA0006ZZ0000000 RDP E0-0315 1.0kW 230V-1F M6A8 DA5



6RA0006ZZ00000001 RDP E0-0315 1.0kW 230V-1F M6A8 DA5 +FL

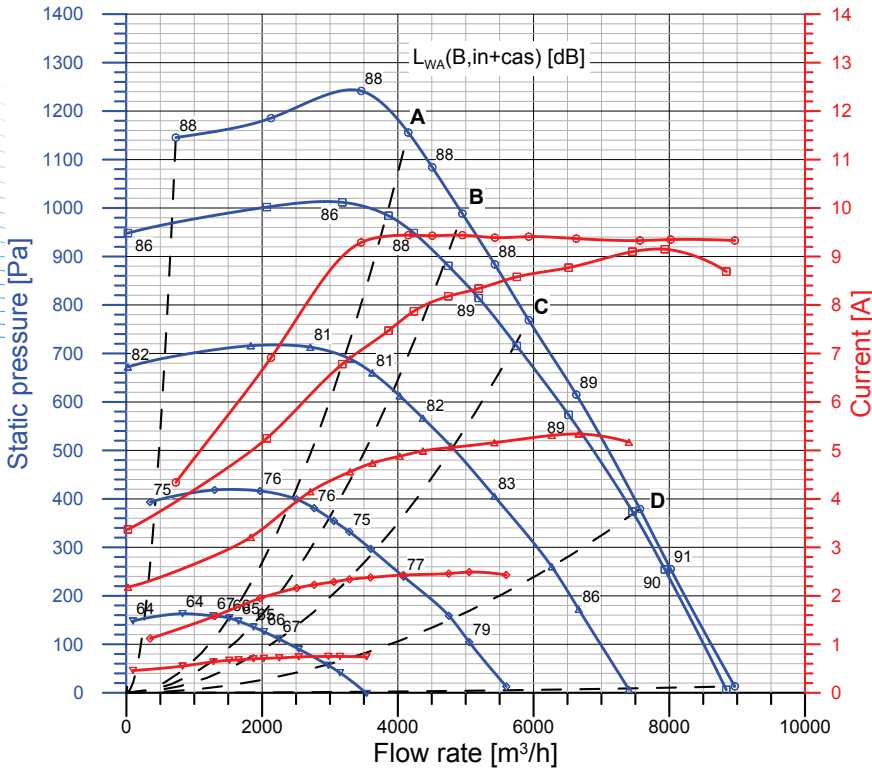


Power: 2270 W (input, max)	Protection Cl.: IP 54 (Motor)
Poles: 8	Insulation Cl.: F
Voltage: 220-240 V	Thermal prot.: YES-Integral
Supply: 1~	Temp. Min: -20 °C
Frequency: 50-60 Hz	Temp. Max: +40 °C
Capacitor: n.a.	Current Max: 9.5 A

Performance data referring to:
Standard air density $\rho = 1.20 \text{ kg / m}^3$
Installation type "B": free inlet, ducted outlet

Sound Power Levels shown are
Inlet-side $L_{WA}(B, in+cas)$, A-weighted, in dBA

Integral speed-control by On-board Driver 1431A8



	qv m ³ /h	pfs Pa	Pe W	n rpm	I A	η_T %
○ Maximum performance curve (10 V)						
A	4154	1156	2267	2681	9.44	59.3
B	4951	988	2267	2618	9.44	61.5
C	5929	769	2267	2569	9.41	59.4
D	7567	379	2267	2522	9.33	43.9
□ Performance at 2500 rpm						
A	3862	984	1817	2495	7.47	59.5
B	4743	881	1971	2499	8.18	61.4
C	5753	716	2080	2500	8.58	59.3
D	7457	374	2201	2497	9.10	44.3
△ Performance at 2100 rpm						
A	3296	689	1101	2097	4.56	58.7
B	4027	613	1177	2097	4.88	60.8
C	4782	509	1229	2098	5.06	59.2
D	6269	260	1295	2096	5.31	44.2
◇ Performance at 1600 rpm						
A	2510	399	521	1599	2.16	54.9
B	3057	354	551	1600	2.29	57.0
C	3600	297	573	1600	2.38	55.7
D	4751	159	593	1598	2.46	44.2
▽ Performance at 1000 rpm						
A	1517	154	152	995	0.67	43.8
B	1873	136	160	995	0.70	46.0
C	2253	111	168	996	0.72	44.6
D	2976	57	173	997	0.75	34.4

ErP Data acc. to Reg. 327/11/CE

Performance referred to the best efficiency duty point

Compl. with Reg. 327/11/EC: Tier II (2015)
Overall Efficiency ($\eta \times C_c$) [%]: 65.4
Measurement category: B
Efficiency category: Total
Efficiency grade N [%]: 72.2
A variable speed drive is integrated with this fan
Manufactured since: 2016
By:
Nicotra Gebhardt S.p.A.
Via Modena 18
24040 Ciserano - Italy
Power input [kW]: 2.267
Volume flow rate qv [m³/s]: 1.375
Total Pressure [Pa]: 1032
Speed [rpm]: 2267
Specific ratio: 1.01
Information on:

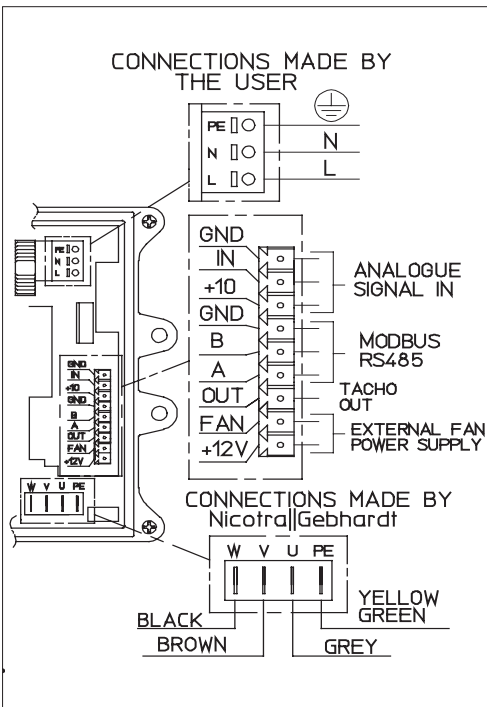
- Disassembly, recycling and disposal at end of life
- Optimal installation, use and maintenance of fans

are freely downloadable from
www.nicotra-gebhardt.com

Testing is carried out with the optional components of the test airway required, according to ISO 5801:2007, for the installation type detailed here on top.

Test nr.: S5243-000/2/4/5/6

WIRING DIAGRAM

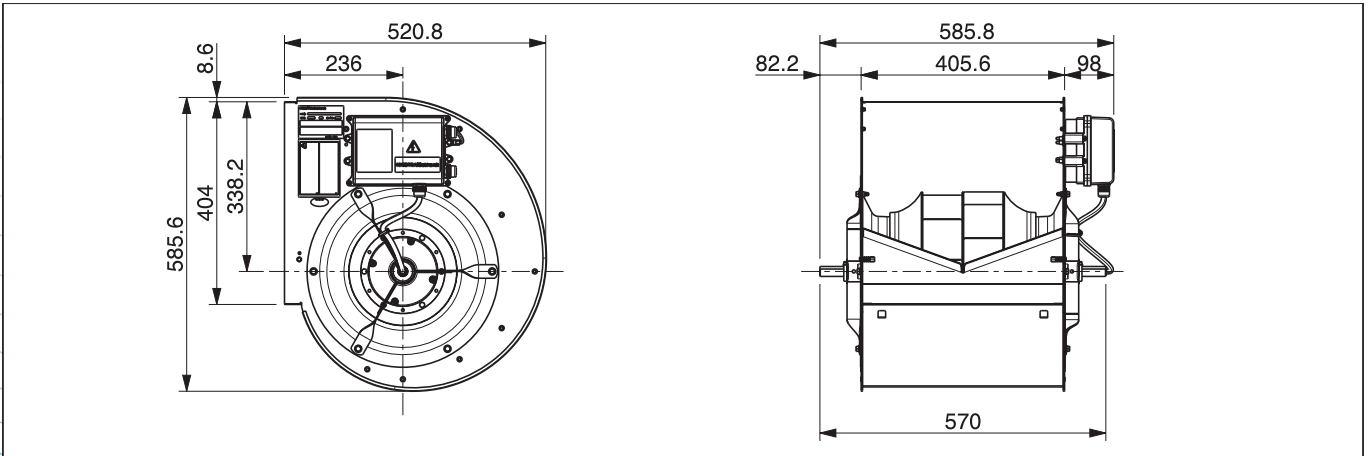


NOISE DATA

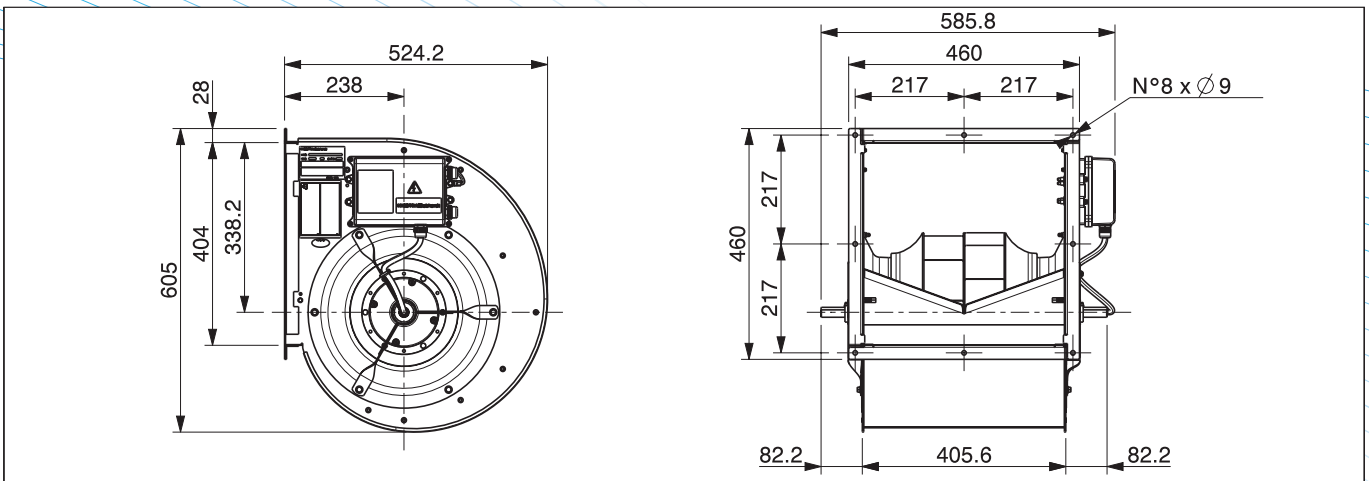
Working point	Sound power level for inlet side (Lw) in dB									
	m ³ /h	63	125	250	500	1k	2k	4k	8kHz	LwA
230 V / 50 Hz	4154	73,0	78,7	81,5	86,1	81,4	79,8	77,2	65,0	87,4
F.M.W.L.	4951	73,0	76,6	80,7	85,4	81,8	79,7	76,0	64,1	87,1
	5929	74,9	78,0	88,9	85,5	83,9	79,8	75,5	63,2	88,5
	7567	80,4	80,6	86,8	87,1	84,8	81,7	75,7	65,8	89,4
230 V / 50 Hz	3862	71,4	77,0	88,2	84,2	79,7	78,0	75,3	62,7	86,5
2500 rpm	4743	70,4	76,5	89,9	86,6	83,1	78,4	74,6	62,1	88,4
	5753	72,4	76,6	91,3	87,9	85,5	79,1	74,3	61,9	90,0
	7457	79,0	80,3	89,5	86,7	83,8	81,0	74,9	64,9	89,0
230 V / 50 Hz	3296	68,8	74,4	81,1	77,6	74,7	74,8	70,7	57,5	81,2
2100 rpm	4027	67,3	72,4	81,7	77,6	75,5	74,8	70,0	56,8	81,4
	4782	70,3	72,3	80,9	77,7	77,1	74,9	69,2	56,4	81,7
	6269	76,5	76,4	83,6	81,9	80,3	76,7	69,3	59,4	84,6
230 V / 50 Hz	2510	59,8	69,4	81,8	70,3	68,9	69,0	62,8	48,6	76,8
1600 rpm	3057	55,3	67,5	79,0	70,9	69,0	68,7	62,0	48,0	75,7
	3600	65,3	66,7	76,2	71,8	70,0	68,4	61,3	47,8	75,3
	4751	71,5	73,3	81,1	73,9	72,1	71,4	61,7	49,4	78,3
230 V / 50 Hz	1517	61,9	68,1	71,1	60,6	60,2	56,0	48,0	32,9	66,24
1000 rpm	1873	61,7	66,3	67,8	61,7	59,9	55,0	47,5	33,6	65
	2253	66,9	67,3	71,0	64,1	60,4	54,4	46,6	35,0	66,74
	2976	72,3	67,0	70,8	67,0	63,1	55,6	46,9	38,1	68,43

DIMENSIONAL DRAWINGS

6RB0006ZZ0000000 RDP E0-0315 2.3kW 230V-1F M6A5 DA8



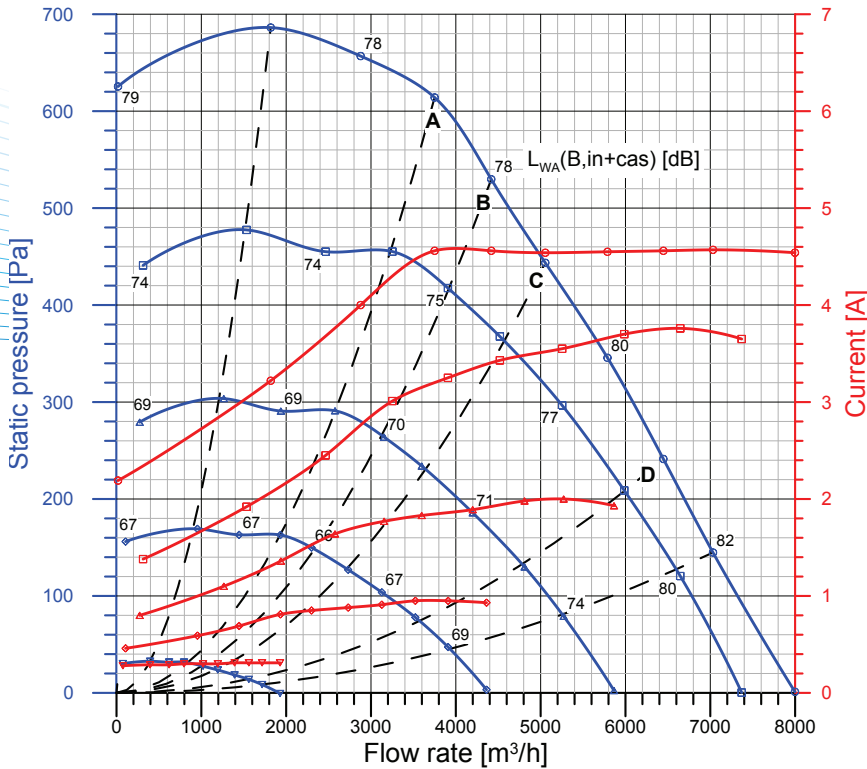
6RB0006ZZ0000001 RDP E0-0315 2.3kW 230V-1F M6A5 DA8 + FL



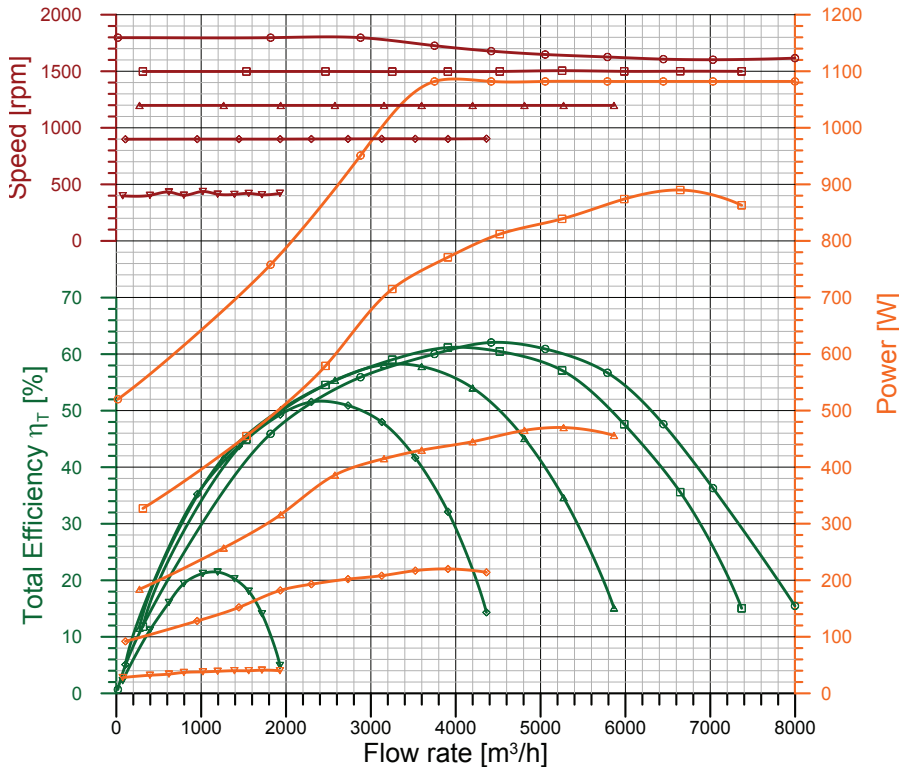
Power: 1082 W (input, max) Protection Cl.: IP 54 (Motor)
 Poles: 8 Insulation Cl.: F
 Voltage: 220-240 V Thermal prot.: YES-Integral
 Supply: 1~ Temp. Min: -20 °C
 Frequency: 50-60 Hz Temp. Max: +40 °C
 Capacitor: n.a. Current Max: 4.56 A

Performance data referring to:
 Standard air density $\rho = 1.20 \text{ kg/m}^3$
 Installation type "B": free inlet, ducted outlet
 Sound Power Levels shown are
 Inlet-side $L_{WA}(B, in+cas)$, A-weighted, in dBA

Integral speed-control by On-board Driver 1431A5



	qv m³/h	pfs Pa	Pe W	n rpm	I A	η_T %
○ Maximum performance curve (10 V)						
A	3750	614	1082	1726	4.56	60.0
B	4418	530	1082	1678	4.56	62.1
C	5055	444	1082	1648	4.54	60.9
D	6447	241	1082	1607	4.56	47.6
□ Performance at 1500 rpm						
A	3252	455	715	1497	3.01	59.0
B	3907	418	771	1497	3.25	61.2
C	4519	368	812	1498	3.43	60.5
D	5986	209	874	1499	3.70	47.6
△ Performance at 1200 rpm						
A	2576	291	386	1198	1.64	55.4
B	3155	264	415	1198	1.77	58.1
C	3598	234	430	1198	1.83	57.8
D	4810	130	465	1198	1.98	45.1
◇ Performance at 900 rpm						
A	1932	163	182	900	0.81	49.3
B	2299	150	193	901	0.85	51.6
C	2731	127	202	902	0.88	50.9
D	3523	78	217	903	0.95	41.7
▽ Performance at 400 rpm						
A	620	32	34	432	0.29	16.1
B	796	32	37	404	0.30	19.4
C	1020	27	38	437	0.30	21.2
D	1392	18	40	411	0.31	20.3



ErP Data acc. to Reg. 327/11/CE

Performance referred to the best efficiency duty point

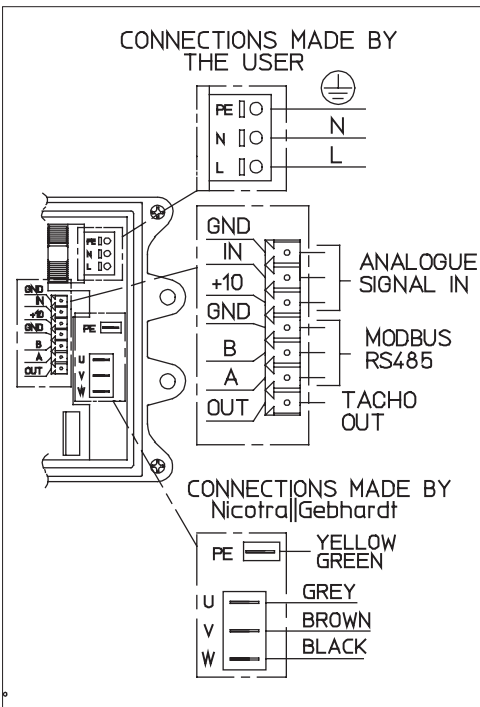
Compl. with Reg. 327/11/EC: Tier II (2015)
 Overall Efficiency ($\eta_T \times C_c$) [%]: 67.4
 Measurement category: B
 Efficiency category: Total
 Efficiency grade N [%]: 77.5
A variable speed drive is integrated with this fan
 Manufactured since: 2016
 By: *Nicotra Gebhardt S.p.A.*
Via Modena 18
24040 Ciserano - Italy
 Power input [kW]: 1.082
 Volume flow rate q_v [m³/s]: 1.227
 Total Pressure [Pa]: 553
 Speed [rpm]: 1678
 Specific ratio: 1.005

Information on:
 - Disassembly, recycling and disposal at end of life
 - Optimal installation, use and maintenance of fans
 are freely downloadable from
www.nicotra-gebhardt.com

Testing is carried out with the optional components of the test airway required, according to ISO 5801:2007, for the installation type detailed here on top.

Test nr.: S5407-000/1/2/3/4

WIRING DIAGRAM

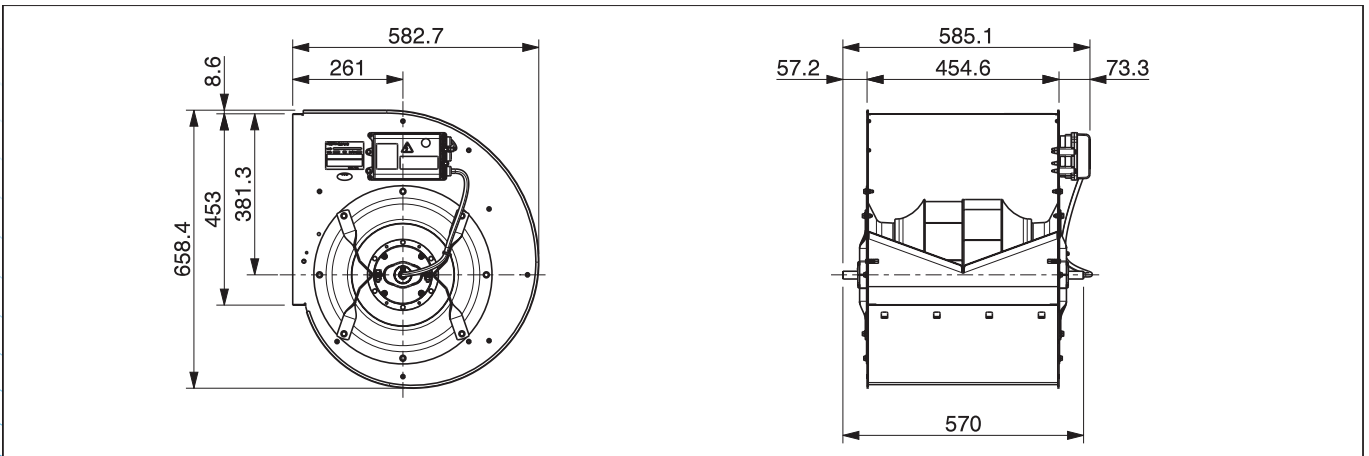


NOISE DATA

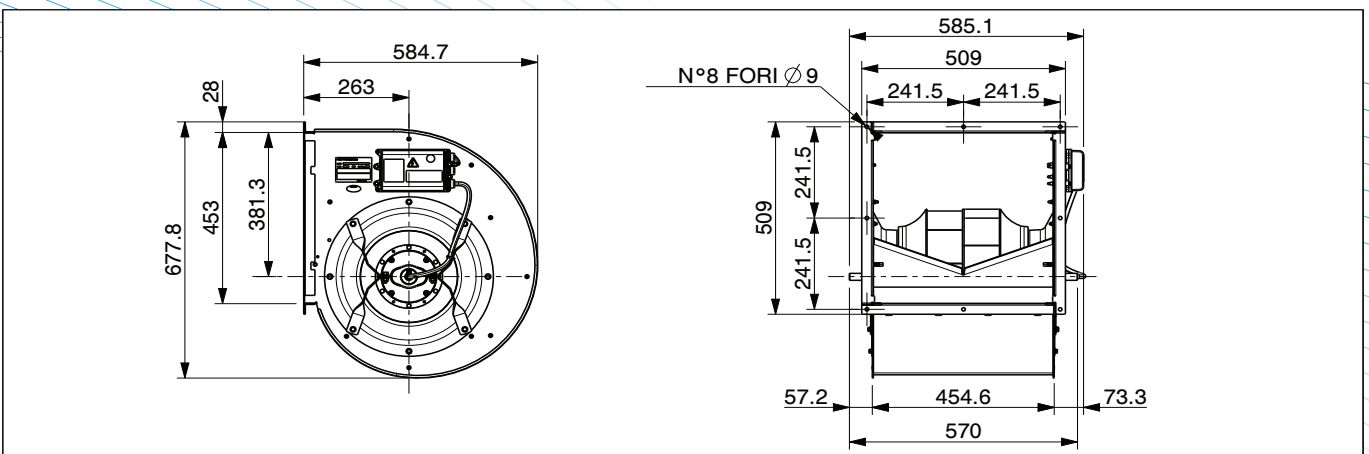
Working point	Sound power level for inlet side (Lw) in dB									
	m ³ /h	63	125	250	500	1k	2k	4k	8kHz	LwA
230 V / 50 Hz	3750	71,2	74,1	79,0	76,2	73,0	70,4	67,3	60,0	78,7
F.M.W.L.	4418	70,5	71,5	77,3	74,5	73,7	70,6	65,8	58,7	78,2
	5055	71,4	70,5	76,4	75,6	73,8	70,9	64,8	57,4	78,3
	6447	75,8	75,2	81,1	78,1	75,7	71,4	63,5	56,6	80,4
230 V / 50 Hz	3252	67,5	69,6	76,0	72,2	70,7	67,1	62,3	55,2	75,4
1500 rpm	3907	69,2	68,2	75,0	72,5	70,9	67,5	62,0	54,9	75,5
	4519	67,0	68,8	76,4	77,0	71,6	68,3	61,6	54,4	77,5
	5986	74,9	74,0	80,2	76,7	73,8	69,3	61,1	54,1	78,8
230 V / 50 Hz	2576	64,1	68,7	70,5	66,1	65,1	61,2	55,4	48,5	69,7
1200 rpm	3155	63,9	66,4	70,4	67,6	65,7	61,6	55,0	48,2	70,2
	3598	63,4	68,1	69,2	68,3	65,9	62,1	54,4	48,0	70,4
	4810	69,9	70,3	72,6	71,3	67,9	62,3	54,2	47,7	72,6
230 V / 50 Hz	1932	61,6	69,1	60,8	60,0	64,8	52,8	46,7	39,8	66,3
900 rpm	2299	57,6	71,1	61,8	60,5	64,8	52,7	46,1	39,5	66,5
	2731	60,1	71,7	62,9	61,1	64,8	52,7	45,5	38,9	66,7
	3523	66,1	75,5	66,0	64,8	66,1	53,6	45,6	38,7	68,7
230 V / 50 Hz	620	N.A.	N.A.	N.A.	N.A.	N.A.	N.A.	N.A.	N.A.	N.A.
400 rpm	796	N.A.	N.A.	N.A.	N.A.	N.A.	N.A.	N.A.	N.A.	N.A.
	1020	N.A.	N.A.	N.A.	N.A.	N.A.	N.A.	N.A.	N.A.	N.A.
	1392	N.A.	N.A.	N.A.	N.A.	N.A.	N.A.	N.A.	N.A.	N.A.

DIMENSIONAL DRAWINGS

6RA0007ZZ0000000 RDP E0-0355 1.1kW 230V-1F M6A5 DA5



6RA0007ZZ0000001 RDP E0-0355 1.1kW 230V-1F M6A5 DA5 + FL



Power: 2310 W (input, max)	Protection Cl.: IP 54 (Motor)
Poles: 8	Insulation Cl.: F
Voltage: 220-240 V	Thermal prot.: YES-Integral
Supply: 1~	Temp. Min: -20 °C
Frequency: 50-60 Hz	Temp. Max: +40 °C
Capacitor: n.a.	Current Max: 9.6 A

Performance data referring to:
Standard air density $\rho = 1.20 \text{ kg / m}^3$
Installation type "B": free inlet, ducted outlet

Sound Power Levels shown are
Inlet-side $L_{WA}(B, in+cas)$, A-weighted, in dBA

Integral speed-control by On-board Driver 1431A8

	qv m ³ /h	pfs Pa	Pe W	n rpm	I A	η_T %
○ Maximum performance curve (10 V)						
A	3400	890	1551	2084	6.49	54.9
B	5732	800	2148	2084	9.01	62.0
C	8186	460	2308	2065	9.60	52.5
D	9557	169	2308	2039	9.59	31.4
□ Performance at 1900 rpm						
A	3220	734	1231	1900	5.16	54.1
B	5261	659	1623	1898	6.79	62.1
C	7467	389	1777	1896	7.41	52.8
D	8854	152	1854	1896	7.73	32.3
△ Performance at 1700 rpm						
A	2843	588	885	1701	3.71	53.3
B	4612	537	1174	1702	4.92	61.3
C	6711	308	1286	1700	5.37	52.2
D	7973	118	1340	1700	5.59	31.7
◇ Performance at 1400 rpm						
A	2380	402	530	1404	2.24	50.9
B	3841	363	687	1404	2.89	59.0
C	5487	211	743	1403	3.12	50.5
D	6565	81	775	1403	3.25	30.7
▽ Performance at 1000 rpm						
A	1535	204	212	996	0.92	41.6
B	2703	182	282	996	1.21	50.8
C	3833	108	303	996	1.29	44.0
D	4647	43	315	996	1.34	27.8

ErP Data acc. to Reg. 327/11/CE

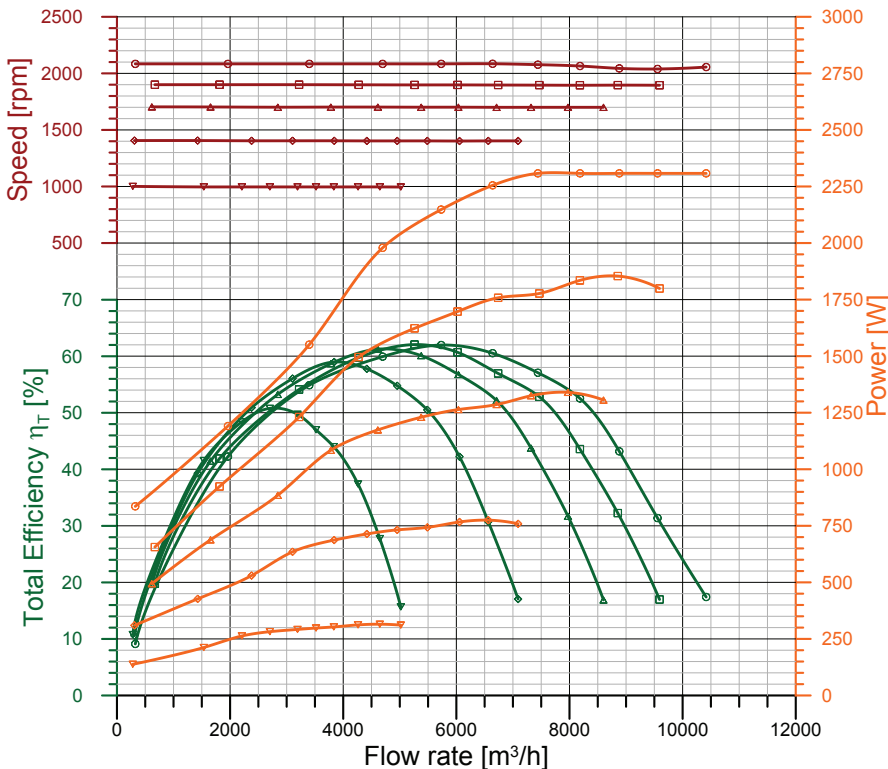
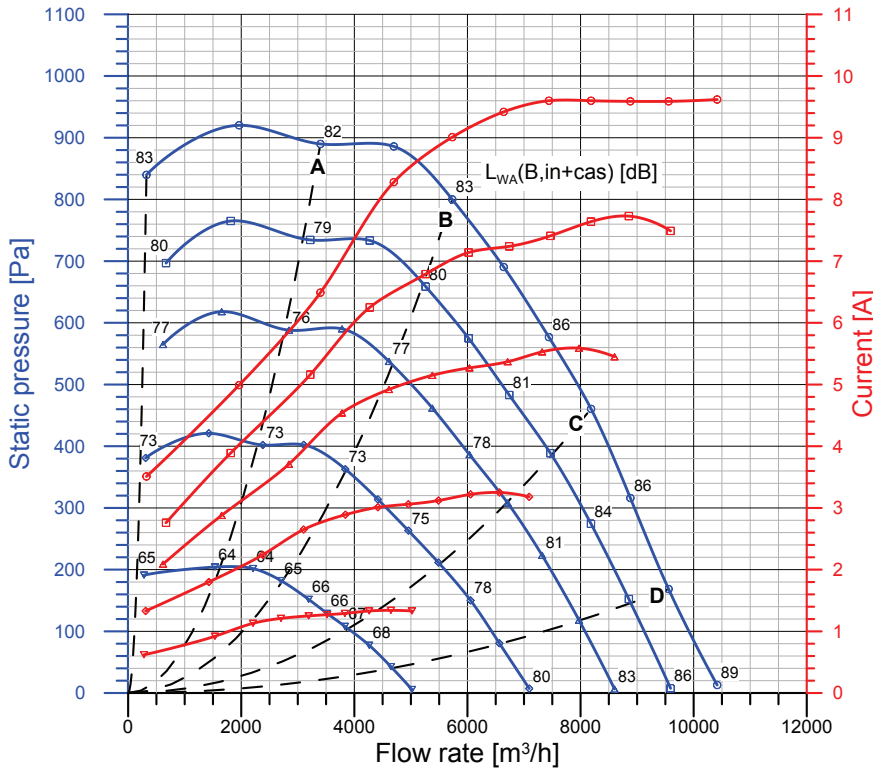
Performance referred to the best efficiency duty point

Compl. with Reg. 327/11/EC: Tier II (2015)
Overall Efficiency ($\eta \times Cc$) [%]: 66.0
Measurement category: B
Efficiency category: Total
Efficiency grade N [%]: 73.0
A variable speed drive is integrated with this fan
Manufactured since: 2016
By:
Nicotra Gebhardt S.p.A.
Via Modena 18
24040 Ciserano - Italy
Power input [kW]: 2.148
Volume flow rate qv [m³/s]: 1.592
Total Pressure [Pa]: 838
Speed [rpm]: 2084
Specific ratio: 1.008
Information on:

- Disassembly, recycling and disposal at end of life
- Optimal installation, use and maintenance of fans

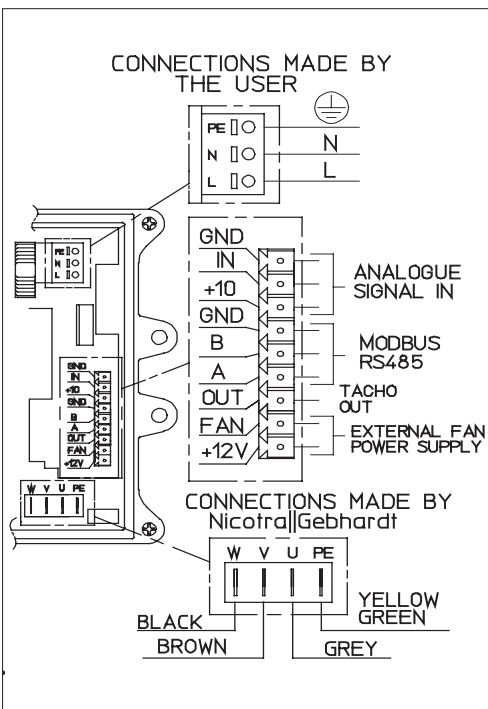
are freely downloadable from
www.nicotra-gebhardt.com

Testing is carried out with the optional components of the test airway required, according to ISO 5801:2007, for the installation type detailed here on top.



Test nr.: S5289-000/1/2/3/4

WIRING DIAGRAM

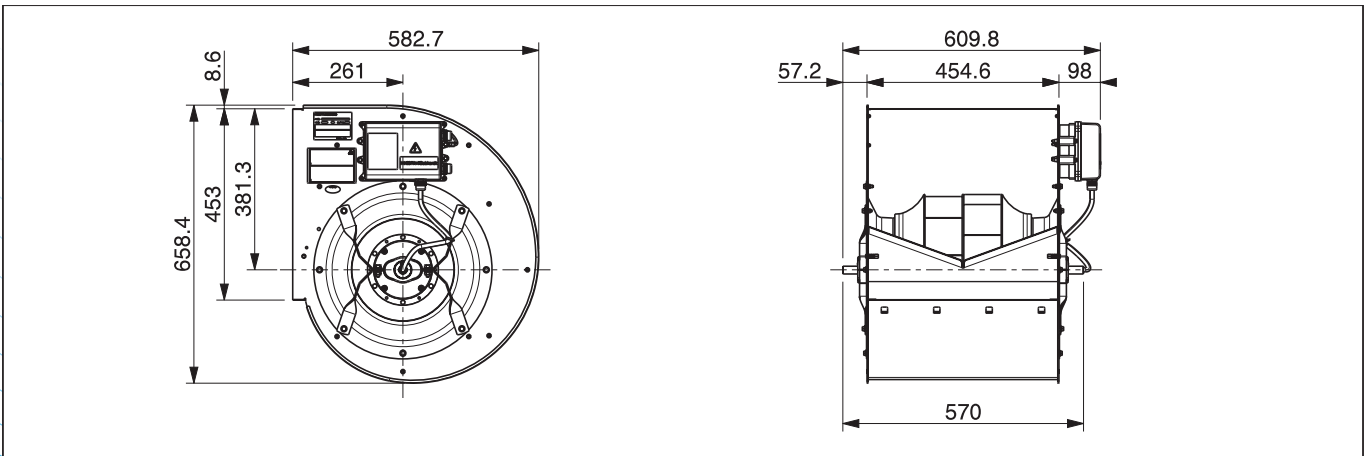


NOISE DATA

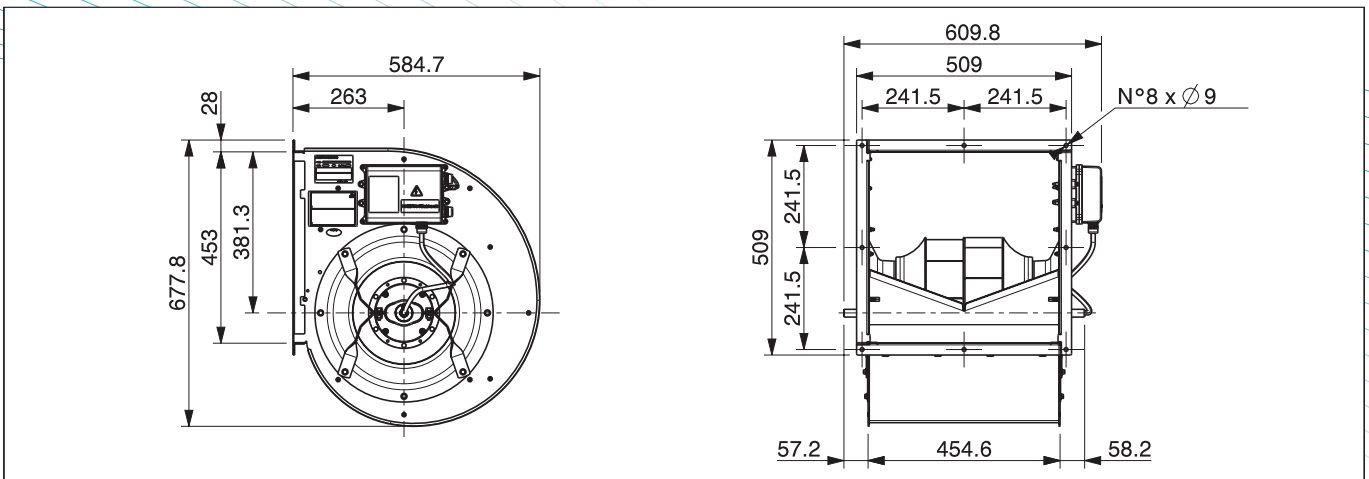
Working point	Sound power level for inlet side (Lw) in dB									
	m ³ /h	63	125	250	500	1k	2k	4k	8kHz	LwA
230 V / 50 Hz	3400	78,9	81,4	80,7	80,4	73,2	73,8	71,7	60,2	81,7
F.M.W.L.	5732	71,9	74,8	76,5	81,9	75,1	75,4	71,6	59,9	82,5
	8186	78,0	78,2	80,3	84,4	79,6	77,1	72,0	60,3	85,2
	9557	84,4	84,5	83,5	86,9	81,8	79,7	73,1	65,5	87,7
230 V / 50 Hz	3220	77,6	80,1	79,5	75,5	70,8	72,3	69,5	57,4	78,9
1900 rpm	5261	71,0	72,2	81,2	77,3	71,6	73,4	69,0	57,1	79,9
	7467	75,0	77,1	81,5	79,6	76,0	74,8	68,7	57,3	81,9
	8854	82,9	83,3	86,3	83,5	78,5	77,6	70,7	62,9	85,3
230 V / 50 Hz	2843	72,6	76,8	76,5	72,8	68,4	69,9	66,5	54,0	76,2
1700 rpm	4612	67,7	69,4	75,9	73,7	69,4	71,0	66,1	53,9	76,8
	6711	75,7	75,1	78,2	77,7	74,2	72,1	65,1	53,8	79,6
	7973	83,1	83,1	81,6	80,6	76,1	75,2	67,7	59,2	82,4
230 V / 50 Hz	2380	70,4	73,2	73,2	71,1	64,1	65,8	60,7	48,0	72,8
1400 rpm	3841	62,3	67,0	73,0	71,9	66,1	66,5	60,6	47,7	73,4
	5487	72,8	73,1	79,2	75,9	68,6	67,0	59,4	47,5	76,7
	6565	78,4	76,3	80,1	77,2	72,7	69,7	62,0	52,7	78,7
230 V / 50 Hz	1535	59,0	63,5	63,5	61,3	58,4	57,6	50,6	36,5	64,22
1000 rpm	2703	58,4	64,7	66,7	64,5	59,5	56,7	49,0	36,4	65,73
	3833	69,5	68,0	68,7	68,0	62,4	58,1	49,4	38,7	68,48
	4647	82,1	73,1	70,2	70,9	64,7	60,7	52,0	42,6	71,27

DIMENSIONAL DRAWINGS

6RB0007ZZ0000000 RDP E0-0355 2.3kW 230V-1F M6A6 DA8



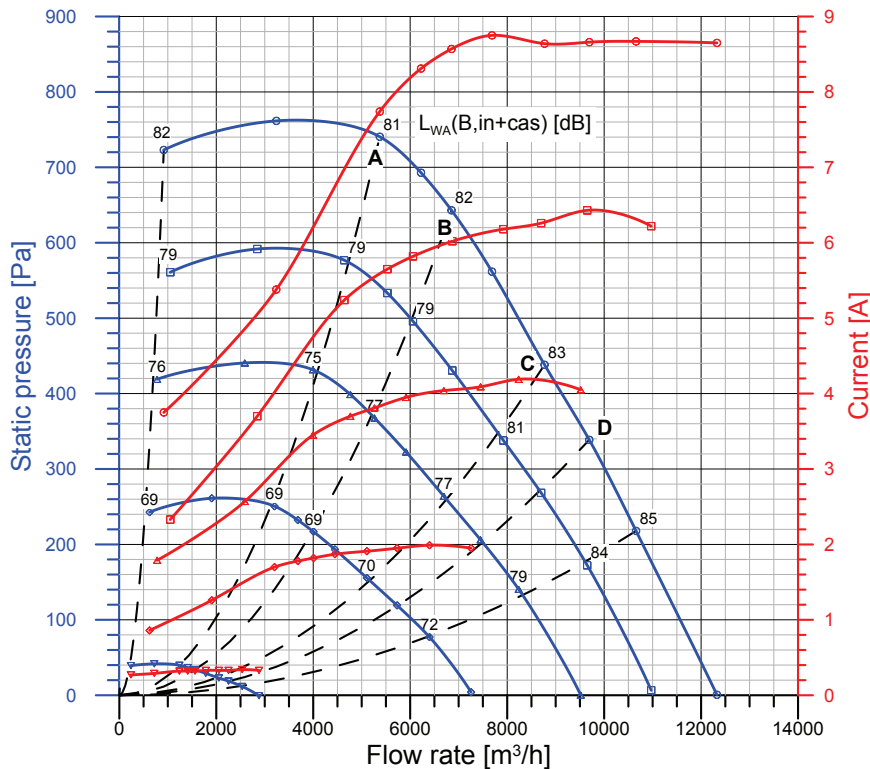
6RB0007ZZ00000001 RDP E0-0355 2.3kW 230V-1F M6A6 DA8 + FL



Power:	2110 W (input, max)	Protection Cl.:	IP 54 (Motor)
Poles:	8	Insulation Cl.:	F
Voltage:	220-240 V	Thermal prot.:	YES-Integral
Supply:	1~	Temp. Min:	-20 °C
Frequency:	50-60 Hz	Temp. Max:	+40 °C
Capacitor:	n.a.	Current Max:	8.75 A

Performance data referring to:
Standard air density $\rho = 1.20 \text{ kg/m}^3$
Installation type "B": free inlet, ducted outlet
Sound Power Levels shown are
Inlet-side $L_{WA}(B, in+cas)$, A-weighted, in dBA

Integral speed-control by On-board Driver 1431A8



	qv m3/h	pfs Pa	Pe W	n rpm	I A	η_T %
○ Maximum performance curve (10 V)						
A	5372	741	1880	1698	7.74	60.3
B	6852	643	2074	1698	8.57	61.9
C	8771	438	2113	1671	8.64	55.9
D	9694	339	2113	1663	8.66	50.8
□ Performance at 1500 rpm						
A	4641	577	1275	1497	5.24	59.8
B	6057	496	1410	1497	5.82	62.2
C	7922	338	1498	1498	6.18	56.0
D	8701	268	1517	1498	6.26	51.2
△ Performance at 1300rpm						
A	3993	432	835	1297	3.45	58.8
B	5263	368	920	1297	3.81	61.4
C	6693	264	974	1297	4.04	56.3
D	7451	206	991	1297	4.09	51.2
◇ Performance at 1000 rpm						
A	3201	251	413	998	1.70	55.5
B	4006	217	443	998	1.82	57.2
C	5106	156	466	998	1.91	52.9
D	5729	119	474	998	1.95	47.8
▽ Performance at 400 rpm						
A	1240	40	58	399	0.32	24.1
B	1561	34	61	399	0.32	25.3
C	2053	23	62	399	0.33	23.6
D	2252	19	63	399	0.33	22.2

ErP Data acc. to Reg. 327/11/CE

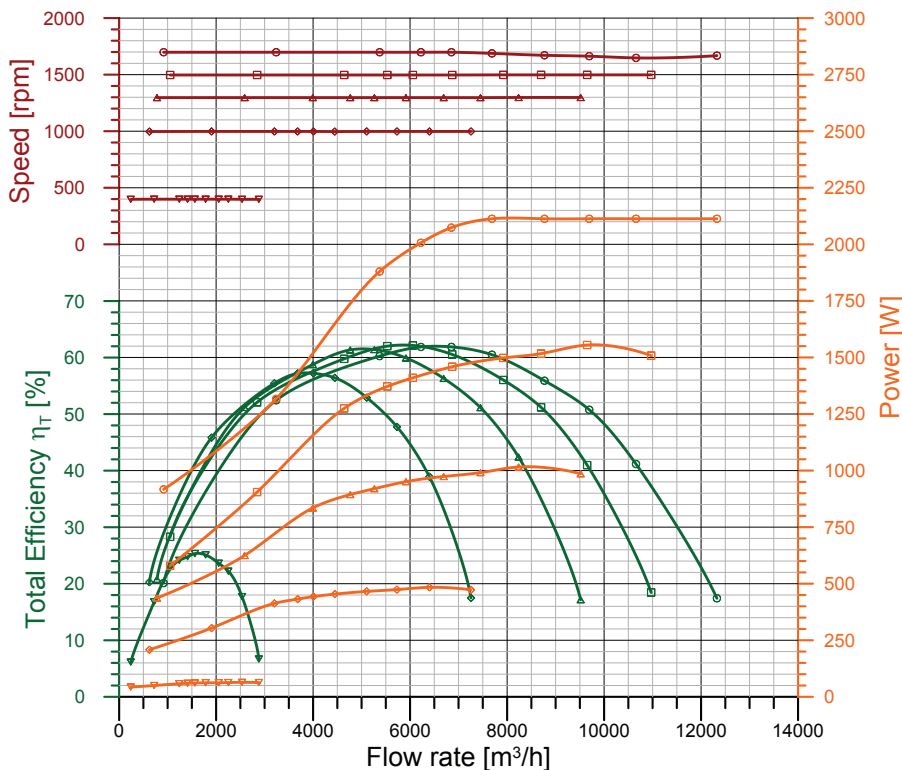
Performance referred to the best efficiency duty point

Compl. with Reg. 327/11/EC: Tier II (2015)
Overall Efficiency ($\eta \times Cc$) [%]: 66.1
Measurement category: B
Efficiency category: Total
Efficiency grade N [%]: 73.3
A variable speed drive is integrated with this fan
Manufactured since: 2016
By:
Nicotra Gebhardt S.p.A.
Via Modena 18
24040 Ciserano - Italy
Power input [kW]: 2.074
Volume flow rate qv [m³/s]: 1.903
Total Pressure [Pa]: 676
Speed [rpm]: 1698
Specific ratio: 1.007

Information on:
- Disassembly, recycling and disposal at end of life
- Optimal installation, use and maintenance of fans

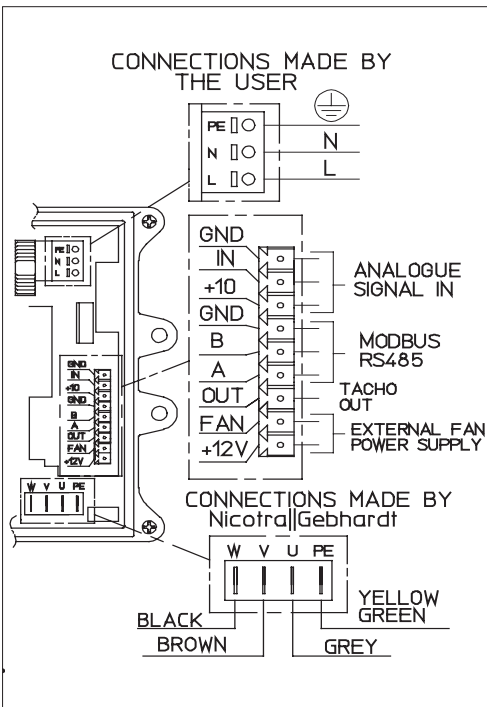
are freely downloadable from
www.nicotra-gebhardt.com

Testing is carried out with the optional components of the test airway required, according to ISO 5801:2007, for the installation type detailed here on top.



Test nr.: S5430-000/1/2/3/5

WIRING DIAGRAM

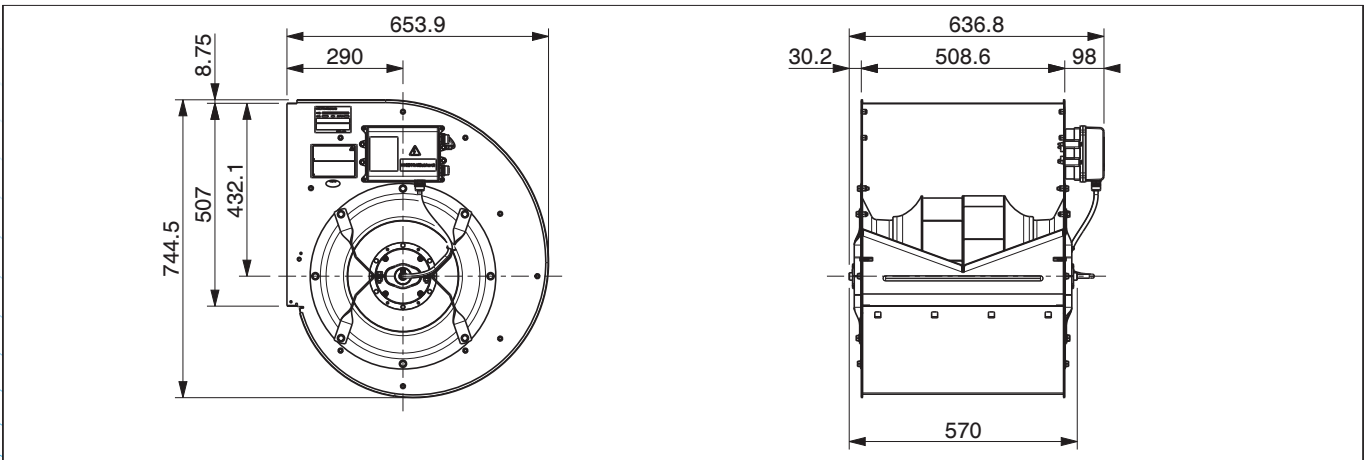


NOISE DATA

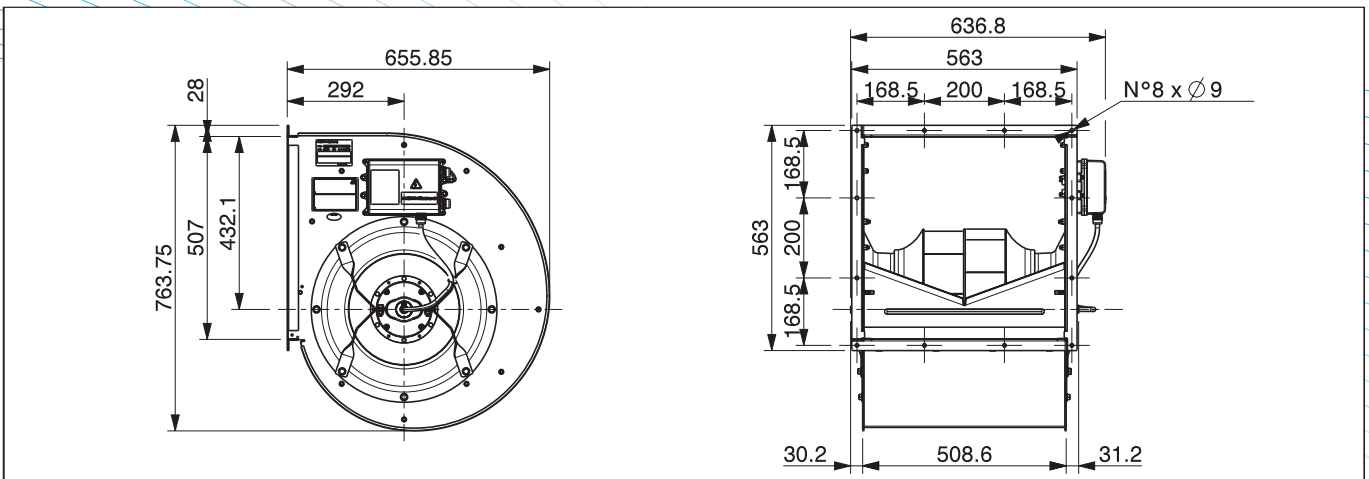
Working point	Sound power level for inlet side (Lw) in dB									
	m ³ /h	63	125	250	500	1k	2k	4k	8kHz	LwA
230 V / 50 Hz	5372	75,1	76,0	79,2	76,1	73,6	73,7	75,7	61,6	81,2
F.M.W.L.	6852	70,0	73,7	80,8	78,3	74,9	74,1	75,2	61,2	82,0
	8771	74,1	75,5	84,5	78,5	77,3	76,4	74,2	60,5	83,4
	9694	71,6	76,5	84,7	79,7	78,2	77,0	73,8	60,7	84,0
	230 V / 50 Hz	4641	70,0	73,4	82,9	71,9	70,8	72,2	71,4	58,0
1500 rpm	6057	65,3	70,8	82,3	73,1	71,4	72,5	70,6	57,6	79,3
	7922	66,9	73,6	82,7	76,3	74,3	73,6	70,1	56,6	80,7
	8701	67,7	74,3	83,2	76,8	75,1	74,0	69,7	56,5	81,2
230 V / 50 Hz	3993	64,4	70,0	76,5	70,6	67,1	70,2	65,7	53,7	75,5
1300 rpm	5263	64,8	68,3	78,8	72,8	68,4	70,3	65,1	52,7	76,5
	6693	65,4	70,3	78,6	74,0	70,5	70,3	64,9	51,7	77,1
	7451	65,0	72,1	78,2	76,2	71,9	70,7	64,3	51,8	78,1
230 V / 50 Hz	3201	60,2	68,8	68,5	65,9	61,5	63,6	57,0	44,7	69,1
1000 rpm	4006	59,0	68,8	67,7	67,4	61,7	63,3	56,8	44,0	69,3
	5106	58,8	69,3	69,3	68,5	63,7	63,2	56,1	42,8	70,2
	5729	60,3	69,1	69,4	70,2	65,4	63,2	55,7	43,2	71,2
	230 V / 50 Hz	1240	N.A.	N.A.	N.A.	N.A.	N.A.	N.A.	N.A.	N.A.
400 rpm	1561	N.A.	N.A.	N.A.	N.A.	N.A.	N.A.	N.A.	N.A.	N.A.
	2053	N.A.	N.A.	N.A.	N.A.	N.A.	N.A.	N.A.	N.A.	N.A.
	2252	N.A.	N.A.	N.A.	N.A.	N.A.	N.A.	N.A.	N.A.	N.A.

DIMENSIONAL DRAWINGS

6RB0008ZZ000000 RDP E0-0400 2.1kW 230V-1F M6A6 DA8



6RB0008ZZ0000001 RDP E0-0400 2.1kW 230V-1F M6A6 DA8 + FL





NICOTRA | Gebhardt®

Nicotra Gebhardt Germany
Nicotra Gebhardt GmbH
Gebhardtstraße 19-25
74638 Waldenburg (Germany)
Phone +49 7942 1010
Fax +49 7942 101 170
E-Mail info.ng.de@regalbeloit.com
Web www.nicotra-gebhardt.com

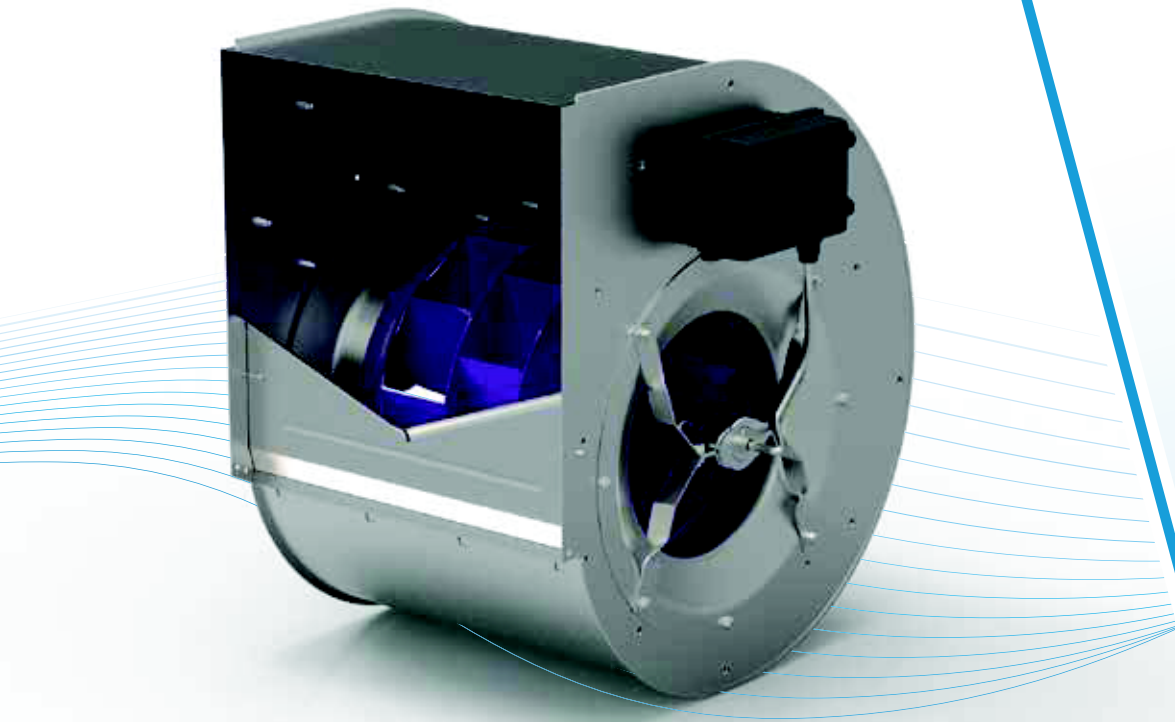
Nicotra Gebhardt Italy
Regal Beloit Italy S.p.A.
Via Modena, 18
24040 Zingonia (BG) (Italy)
Phone +39 035 873 111
Fax +39 035 884 319
E-mail info.ng.it@regalbeloit.com
Web www.nicotra-gebhardt.com

APPLICATION CONSIDERATIONS

The proper selection and application of products and components, including the related area of product safety, is the responsibility of the customer. Operating and performance requirements and potential associated issues will vary appreciably depending upon the use and application of such products and components. The scope of the technical and application information included in this publication is necessarily limited. Unusual operating environments and conditions, lubrication requirements, loading supports, and other factors can materially affect the application and operating results of the products and components and the customer should carefully review its requirements. Any technical advice or review furnished by Regal Beloit America, Inc. and/or its affiliates ("Regal") with respect to the use of products and components is given in good faith and without charge, and Regal assumes no obligation or liability for the advice given, or results obtained, all such advice and review being given and accepted at customer's risk.

For a copy of our Standard Terms and Conditions of Sale, please visit <https://www.regalbeloit.com/Terms-and-Conditions-of-Sale>. These terms and conditions of sale, disclaimers and limitations of liability apply to any person who may buy, acquire or use a Regal product referred to herein, including any person who buys from a licensed distributor of these branded products.





RDP

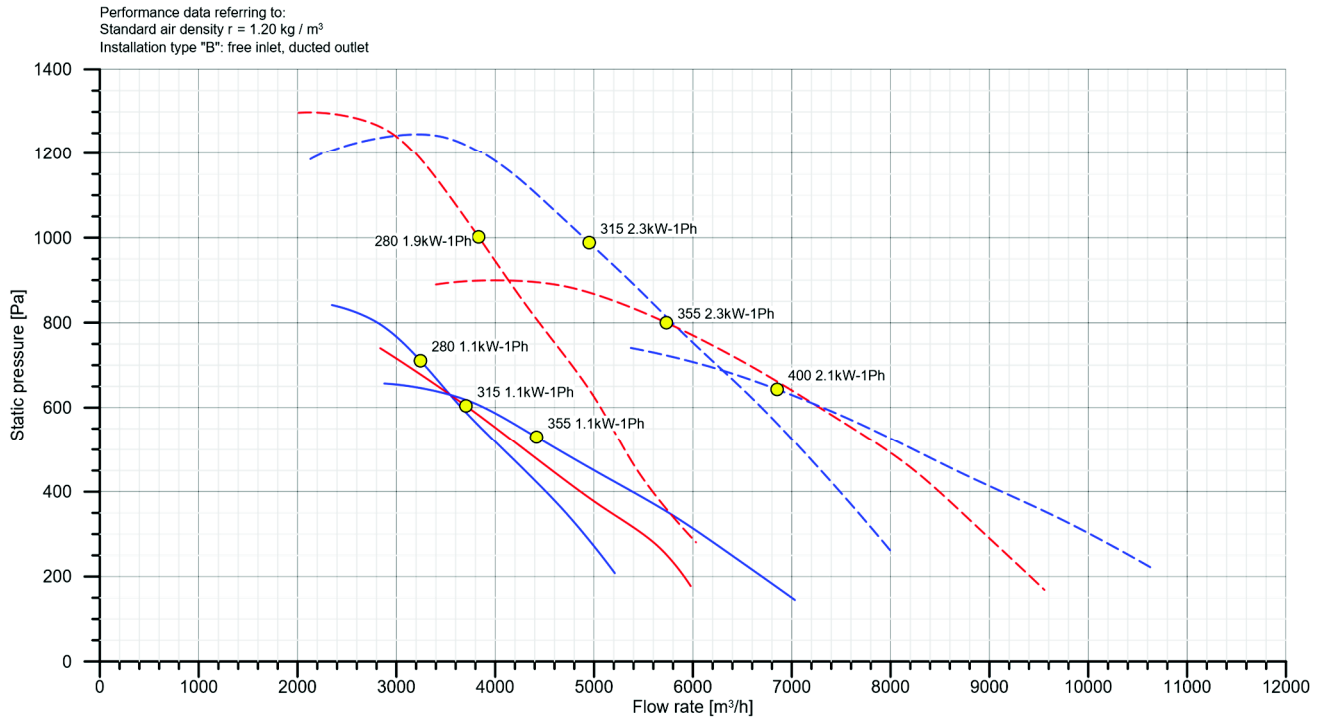
THE EFFICIENT ALL-ROUNDER

400V THREE-PHASE MODELS

The RDP range at a glance

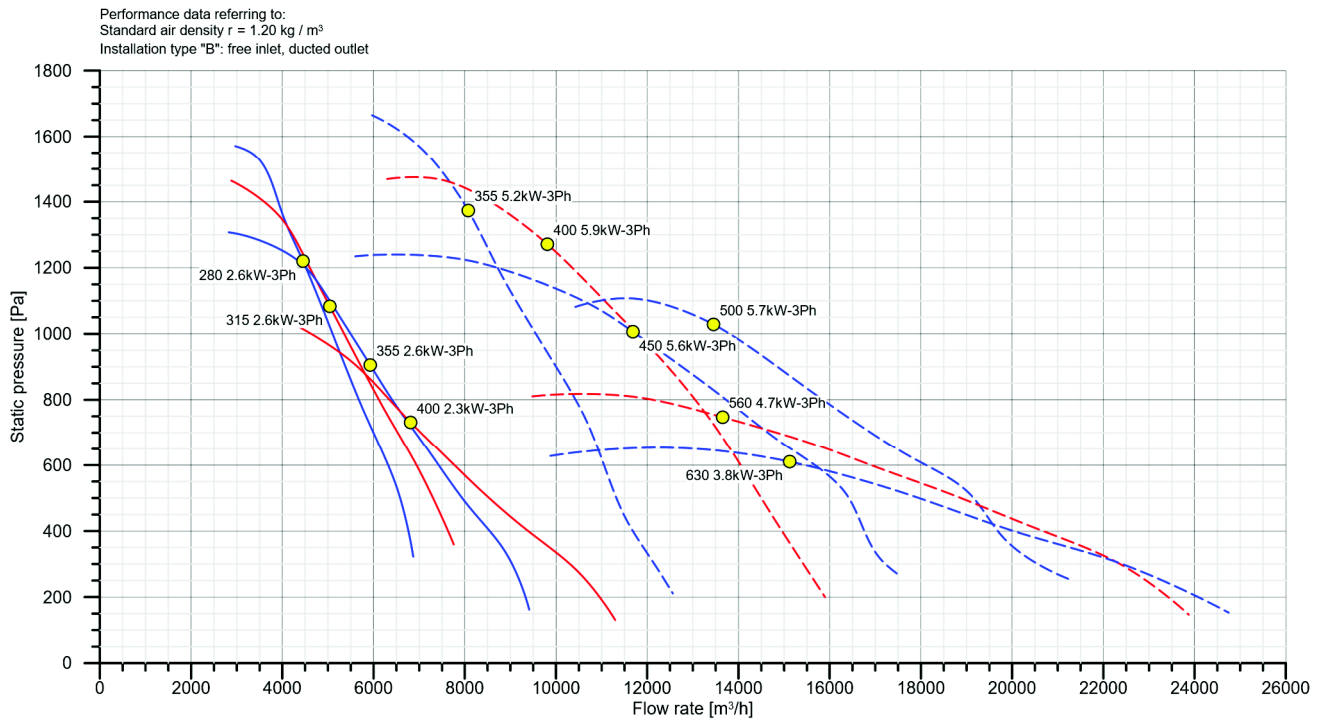
RDP:

Direct-driven Backward-curved fan range with High-efficiency PM motors
 Performance range with 1.1 kW & 2.2 kW Single-phase on-board drivers.
 Models shown with a continuous line are fitted with 1.1 kW drivers.



RDP:

Direct-driven Backward-curved fan range with High-efficiency PM motors
 Performance range with 2.6 kW and 5.5 kW Three-phase on-board drivers.
 Models shown with a continuous line are fitted with 2.6 kW drivers.



The RDP 3-phase range extends to new higher-power models

The RDP range of three phase models is now including ten fan models: four with the proven BL130 drives, providing up to 2.6 kW and 10 Nm, covering the fan sizes from 280 mm up to 400 mm, and another six models with the new BL178 drives, up to 5.5 kW and 30 Nm or more, starting from fan size 355 mm up to 630 mm.

The 3-phase RDP models share many characteristics with the single-phase fans of the same range, available since long, but include many additional features, which have been introduced on the most recent electronics.

This part of the RDP catalogue describes these new features and provides an overview of the performance of the three-phase RDP models.

Please refer to the RDP Single-phase catalogue for additional information on all the basic and common features.

The RDP range is still offering plenty of opportunities for further exiting developments, so, please, keep in contact with your Nicotra Gebhardt sales representative, to receive timely updates on the latest additions to the RDP range.

Smart EC 3-phase motor controllers

The two models of 3-phase motor controllers, or “drivers”, fitted to the RDP fans, have a nominal input power of either 2.6 kW (“Type C”) or 5.5 kW (“Type D”).

The exact maximum power input may change on different fan sizes, depending on the design details of each impeller and motor. The maximum power input of each fan model is shown at the top of the performance diagram for each individual fan model, in the following pages.

The 2.6kW drivers use the same box-shaped driver case with IP55 protection grade, fitted to the scroll side-plate, also used for the RDP 2.2 kW single-phase drivers, while the new 5.5 kW drivers use a new and larger case, with the same IP 55 protection grade, as defined in accordance with the ISO 60529 standard.

The 2.6 kW three-phase drivers comply with the EMC requirements for class C2 of power-drive systems, according to EN 61800-3. This includes compliance with the emission requirements set by the EN 61000-6-4 standard for use in industrial environments and also with the immunity requirements for industrial environments, according to EN 61000-6-2.

As such, they are suitable for use in the “first environment”, under condition that they are incorporated into an apparatus, system or installation, which is neither a plug-in device nor a movable device. Such devices shall have to be installed and commissioned only by a professional.

The new 5.5 kW three-phase drivers have been designed to even tighter requirements, for ease of installation, and comply with the EMC requirements for class C1 of power-drive systems, according to EN 61800-3. This includes compliance with the emission requirements set by the EN 61000-6-3

standard, for use in “residential, commercial and light-industrial environments”, and with the immunity requirements for industrial environments, according to EN 61000-6-2.

According to the EN 61000-3-2 standard (“Limits for harmonic current emissions – equipment input current ≤ 16 A per phase – “), both models of driver are classified as “professional devices having total input power greater than 1 kW”. Direct connection to a low voltage supply (public networks) may be allowed insofar as this has been approved by the respective energy distribution authority.

All these driver units have been designed with sensorless technology, to simplify their architecture and increase their operational reliability.

Like the single-phase models, also the 3-phase RDP drivers are delivered pre-configured and ready for use in their basic operating mode, i.e. with continuously adjustable speed, with the fan speed proportional to an analogue input signal (0-10 Vdc or PWM).

The drivers incorporate advanced protection features, preventing the user from exceeding the safety limits of the driver and motor. If the combination of the air system configuration with the speed demand from the user should bring the fan to exceed one or more of the limits, which are set for input power, motor torque, or operating temperature of the electronics, then the fan speed and power requirement would be automatically reduced, to bring-back the fan within safe operating conditions.

All the diagrams of the different RDP fan models in this catalogue, showing the fan performance under standard laboratory conditions, already account for this automatic restriction of the fan performance, according to speed, power and torque limits.

If the software protection features should not be enough, a temperature-sensitive switch is fitted inside all motors, to stop the drive-system, thus preventing any permanent damage from overloading and overheating.

By design, these drive systems are insensitive to the frequency of the power supply, so all the RDP three-phase fans are suitable for operation with any power network at 50 or 60 Hz frequency, in the 400V +/- 10% voltage range.

Advanced operating modes.

The 3-phase smart drivers provide the same selectable advanced operating modes, which are provided by the less powerful single-phase units. Please refer to the existing catalogue for single-phase models, for further details.

The ease of operation of the new 3-phase drivers has been further improved, with the introduction of additional features:

The 2.6 kW drivers (“Type C”) introduce an improved capability to control the transitory effect of a short loss of power supply or a step-change in the speed-control signal, with a smoother transition.

With these drivers, the user can also define a speed range to avoid, i.e. configure the driver to quickly skip across a chosen range of operating speed, to avoid a range which may excite structural resonance in the fan installation.

The 5.5 kW drivers (“Type C”) introduce further enhancements.

While the less-powerful drivers let the impeller coast-down freely, whenever the fan requested speed is reduced abruptly, or is set to zero, the new 5.5 kW drivers slow down the motor in a controlled way, down to a pre-set “stop speed” value. If this “stop speed” is set to zero, the rotor is kept braked, whenever the fan is “on” and the running speed is set to zero.

The motor-starting procedure has also been radically changed, with torque-control taking immediate effect. The new starting procedure provides a faster and more reliable start, and a better control of any locked-rotor incident.

Advanced SW interface.

“Fan Configurator” is the most recent and advanced tool, to monitor and configure the Nicotra Gebhardt EC-driven fans. It is specifically developed to support the new line-up of three-phase drivers, as well as all the former single-phase units.

The installation package for the Nicotra Gebhardt Fan Configurator tool can be freely downloaded from the Nicotra Gebhardt website:

<https://www.nicotra-gebhardt.com/en/products/fans-for-ventilation-and-air-conditioning/535-rdp.html>

Please, contact Nicotra Gebhardt if you have any difficulties downloading the new software package from the RDP product-page in the Nicotra Gebhardt website.

The older Nicotra Gebhardt “Fan Configuration Software Revision 2” can still connect to the three-phase drivers but provides only some of the most basic monitoring functions and cannot be used to configure the three phase drivers.

We strongly encourage our customers take advantage of the our most recent service-tool.

Extended analogue interface

To support those customers who connect the RDP fan to an electromechanical control system, all the 3-phase drivers also provide the alarm signal by means of an electromechanical relay (closed during normal operation, open without power supply or in case of fault), suitable for 250 Vac / 30 Vdc and 5A , as well as through the normal low-power digital output.

Specifications

RDP range with “Type C” 2.6 kW 400V 3-Phase drivers

Direct-driven, double-inlet, double-width backward-curved fan with scroll, with integrated high-efficiency drive system and impeller.

Fitted with a high-efficiency IP54 drive system including a external-rotor permanent-magnet motor and a smart electronic motor driver, providing speed-control and self-protection against overloading or overheating.

Each fan is driven by an external-rotor motor, using high-intensity rare-earth magnets for better efficiency and compactness, directly integrated in the hub of the impeller and supported on rubber vibration dampers, fitted to pressed-steel brackets, bolted to both fan inlets.

Three-phase 2.6 kW driver, fitted into a special-purpose housing, bolted onto the side plate of the fan scroll case. The driver provides advanced control functions as well as both analogue and digital external interfaces, and incorporates passive EMC filters, keeping the fan power factor constantly at optimum values, as well as reducing harmonic distortion and emissions.

The three-phase drive system complies with the requirements of the class C2, for EMC-compatibility levels, according to EN 61800-3 standard for power-drive systems, throughout the range of EMC requirements, including the immunity requirements for industrial environments, according to EN 61000-6-2.

Additional and optional filters may be available, to fulfil tighter requirements, like compliance with emission requirements for residential applications, or requirements on harmonic distortion for highly sensitive installation in the industrial or IT environments.

The high-efficiency lightweight backward-inclined impellers, directly bolted onto the motor, are made of welded aluminium plate, to guarantee the stiffness and strength required for high-speed operation, without generating unmanageable vibrations, while providing improved resistance to corrosion, in comparison with a conventional welded-steel construction.

RDP range with “Type D” 5.5 kW 400V 3-Phase drivers

Direct-driven, double-inlet, double-width backward-curved fan with scroll, with integrated high-efficiency drive system and impeller.

Fitted with a high-efficiency IP54 drive system including a external-rotor permanent-magnet motor and a smart electronic motor driver, providing speed-control and self-protection against overloading or overheating.

Each fan is driven by an external-rotor motor, using high-intensity rare-earth magnets for better efficiency and compactness, directly integrated in the hub of the impeller and supported on rubber vibration dampers, fitted to pressed-steel brackets, bolted to both fan inlets.

Three-phase 5.5 kW driver, fitted into a special-purpose housing, bolted onto the side plate of the fan scroll case. The driver provides advanced control functions as well as both analogue and digital external interfaces, and incorporates passive EMC filters, keeping the fan power factor constantly at optimum values, as well as reducing harmonic distortion and emissions.

The three-phase drive system complies with the requirements of the class C1, for EMC-compatibility levels, according to EN 61800-3 standard for power-drive systems, throughout the range of EMC requirements, including with the immunity requirements for industrial environments, according to EN 61000-6-2.

Additional and optional filters may be available, to fulfil tighter requirements, like compliance with emission requirements for residential applications, or requirements on harmonic distortion for highly sensitive installation in the industrial or IT environments.

The high-efficiency lightweight backward-inclined impellers, directly bolted onto the motor, are made of welded aluminium plate, to guarantee the stiffness and strength required for high-speed operation, without generating unmanageable vibrations, while providing improved resistance to corrosion, in comparison with a conventional welded-steel construction.

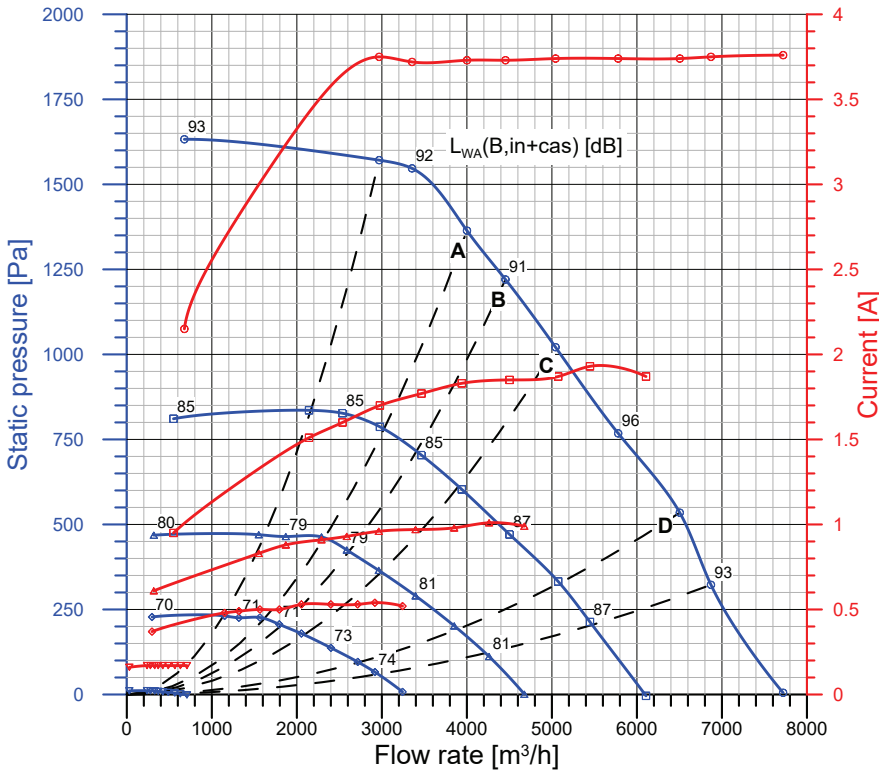
Part Nr.	Description	Size	Motor	Driver	
6RC0005ZZ0000000	RDP E0-0280 2.6kW 400V-3F M6C3	280	1416C3	1431F0	
6RC0005ZZ0000001	RDP E0-0280 2.6kW 400V-3F M6C3+FL	280	1416C3	1431F0	
6RC0006ZZ0000000	RDP E0-0315 2.6kW 400V-3F M6A5	315	1416A5	1431F0	
6RC0006ZZ0000001	RDP E0-0315 2.6kW 400V-3F M6A5+FL	315	1416A5	1431F0	
6RC0007ZZ0000000	RDP E0-0355 2.6kW 400V-3F M6C2	355	1416C2	1431F0	
6RC0007ZZ0000001	RDP E0-0355 2.6kW 400V-3F M6C2+FL	355	1416C2	1431F0	
6RD0007ZZ0000000	RDP E0-0355 5.2kW 400V-3F M6L3	355	1416L3	1431G6	
6RD0008ZZ0000000	RDP E2-0355 5.2kW 400V-3F M6L3	355	1416L3	1431G6	
6RC0008ZZ0000000	RDP E0-0400 2.3kW 400V-3F M6C4	400	1416C4	1431F0	
6RC0008ZZ0000001	RDP E0-0400 2.3kW 400V-3F M6C4+FL	400	1416C4	1431F0	
6RD0009ZZ0000000	RDP E0-0400 5.9kW 400V-3F M6L4	400	1416L4	1431G6	
6RD000AZZ0000000	RDP E2-0400 5.9kW 400V-3F M6L4	400	1416L4	1431G6	
6RD000BZZ0000000	RDP E0-0450 5.6kW 400V-3F M6L5	450	1416L5	1431G6	
6RD000CZZ0000000	RDP E2-0450 5.6kW 400V-3F M6L5	450	1416L5	1431G6	
6RD0027ZZ0000000	RDP E0-0500 5.7kW 400V-3F M6L6	500	1416L6	1431G6	
6RD0028ZZ0000000	RDP E2-0500 5.7kW 400V-3F M6L6	500	1416L6	1431G6	
6RD0029ZZ0000000	RDP E0-0560 4.7kW 400V-3F M6L7	560	1416L7	1431G6	
6RD002AZZ0000000	RDP E2-0560 4.7kW 400V-3F M6L7	560	1416L7	1431G6	
6RD002BZZ0000000	RDP E0-0630 3.8kW 400V-3F M6L8	630	1416L8	1431G6	
6RD002CZZ0000000	RDP E2-0630 3.8kW 400V-3F M6L8	630	1416L8	1431G6	

	Maximum values			Optimum energy efficiency point		IP fan grade	Tmin	Tmax	Page
	Adsorbed power	St. Pressure (q _v =0)	Flow rate (p _{sF} =0)	Flow rate	Tot. Pressure				
	[W]	[Pa]	[m ³ /h]	[m ³ /h]	[Pa]		[°C]	[°C]	
	2552	1632	7720	4454	1275	54	-20	+40	
	2552	1632	7720	4454	1275	54	-20	+40	
	2600	1512	9054	5042	1128	54	-20	+40	
	2600	1512	9054	5042	1128	54	-20	+40	
	2563	1307	10279	5928	947	54	-20	+40	
	2563	1307	10279	5928	947	54	-20	+40	
	2296	1037	12366	6813	764	54	-20	+40	
	2296	1037	12366	6813	764	54	-20	+40	
	4978	1720	13250	7059	1618	54	-20	+40	
	4978	1720	13250	7059	1618	54	-20	+40	
	5876	1524	17015	9811	1339	54	-20	+40	
	5876	1524	17015	9811	1339	54	-20	+40	
	5575	1243	19666	10968	1125	54	-20	+40	
	5575	1243	19666	10968	1125	54	-20	+40	
	5714	1107	23950	13453	1078	54	-20	+40	
	5714	1107	23950	13453	1078	54	-20	+40	
	4705	832	25935	13654	780	54	-20	+40	
	4705	832	25935	13654	780	54	-20	+40	
	3841	654	28236	15124	636	54	-20	+40	
	3841	654	28236	15124	636	54	-20	+40	

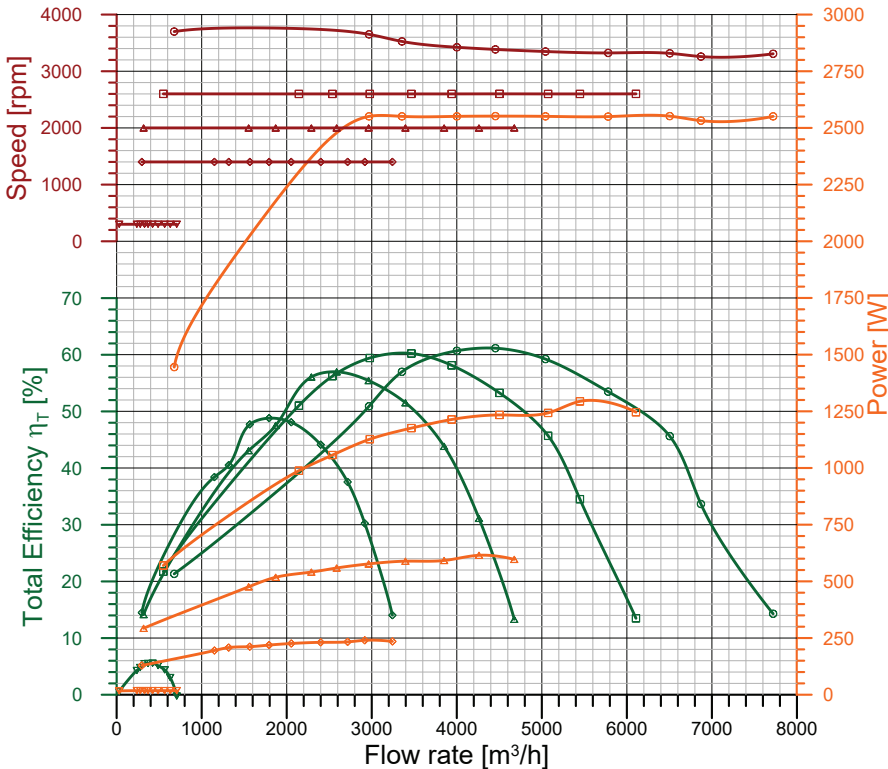
Power:	2550 W (input, max)	Protection Cl.:	IP 54 (Motor)
Poles:	10	Insulation Cl.:	F
Voltage:	400 V	Thermal prot.:	YES-Integral
Supply:	3~	Temp. Min:	-20 °C
Frequency:	50-60 Hz	Temp. Max:	+40 °C
Capacitor:	n.a.	Current Max:	3.8 A

Performance data referring to:
 Standard air density $\rho = 1.20 \text{ kg / m}^3$
 Installation type "B": free inlet, ducted outlet
 Sound Power Levels shown are
 Inlet-side $L_{WA}(B, in+cas)$, A-weighted, in dBA

Integral speed-control by On-board Driver 1431F0



	qv m³/h	pfs Pa	Pe W	n rpm	I A	η_T %
○ Maximum performance curve (10 V)						
A	4001	1364	2551	3423	3.73	60.7
B	4454	1220	2552	3385	3.73	61.2
C	5043	1021	2551	3348	3.74	59.2
D	6504	535	2552	3316	3.74	45.6
□ Performance at 2600 rpm						
A	2977	787	1127	2600	1.70	59.4
B	3466	704	1176	2600	1.77	60.2
C	3940	603	1214	2600	1.83	58.1
D	5074	332	1243	2600	1.87	45.7
△ Performance at 2000 rpm						
A	2290	463	541	2000	0.91	56.1
B	2587	425	559	2000	0.93	57.0
C	2963	365	577	2001	0.96	55.4
D	3851	202	592	2000	0.98	43.8
◇ Performance at 1400 rpm						
A	1566	226	212	1400	0.50	47.7
B	1793	206	219	1400	0.50	48.8
C	2053	179	226	1400	0.53	48.1
D	2716	96	233	1400	0.53	37.6
▽ Performance at 300 rpm						
A	328	10	18	300	0.17	5.5
B	369	9	18	300	0.17	5.5
C	423	8	18	300	0.17	5.6
D	565	4	18	300	0.17	4.4



ErP Data acc. to Reg. 327/11/CE
 Performance referred to the best efficiency duty point

Compl. with Reg. 327/11/EC: Tier II (2015)
 Overall Efficiency ($\eta \times C_c$) [%]: 64.8
 Measurement category: B
 Efficiency category: Total
 Efficiency grade N [%]: 71.0
A variable speed drive is integrated with this fan
 Manufactured since: 2018
 By: *Regal Beloit Italy S.p.A.*
Via Modena 18
24040 Ciserano - Italy
 Power input [kW]: 2.552
 Volume flow rate qv [m³/s]: 1.237
 Total Pressure [Pa]: 1275
 Speed [rpm]: 3385
 Specific ratio: 1.013
 Information on:
 - Disassembly, recycling and disposal at end of life
 - Optimal installation, use and maintenance of fans
 are freely downloadable from
www.nicotra-gebhardt.com
 Testing is carried out with the optional components of the test airway required, according to ISO 5801:2007, for the installation type detailed here on top.

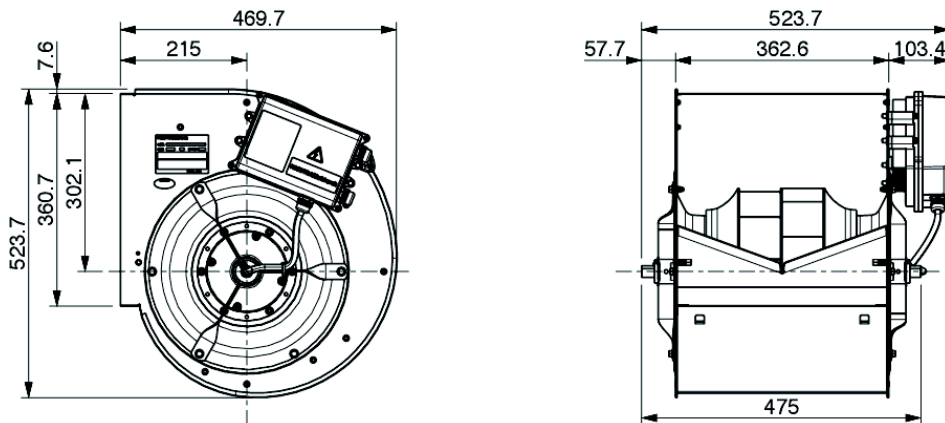
Test nr.: S5602-000/2/3/4/5 Date: 05/07/2018
 Laboratory: Nicotra Gebhardt S.p.A. - Zingonia
 Test chamber: 10000 m³/h

This test data obtained in a laboratory registered by AMCA for AMCA 210/07 air performance testing. Data is not certified by AMCA.

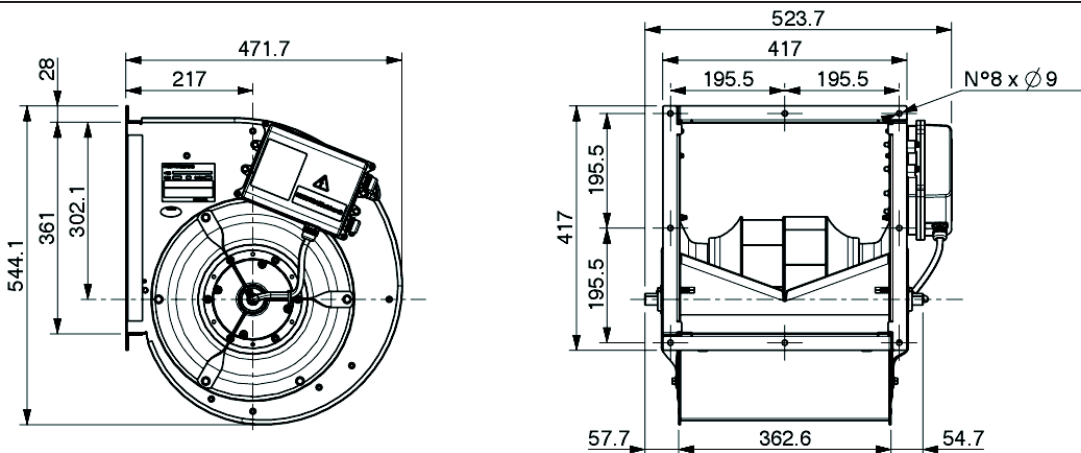
WIRING DIAGRAM		NOISE DATA										
<p>CONNECTIONS MADE BY THE USER</p>		Working point		Sound power level for inlet side (Lw) in dB								
			m ³ /h	63	125	250	500	1k	2k	4k	8kHz	LwA
400 V / 50-60 Hz		A	4001	76	85	84	89	83	82	86	79	92
		B	4454	75	85	83	87	83	82	86	78	91
Fan Maximum		C	5043	76	84	84	93	84	83	86	76	93
		D	6504	81	87	86	96	86	85	85	74	95
400 V - 50/60 Hz		A	2977	71	78	79	80	76	77	79	68	84
		B	3466	71	79	79	81	77	77	79	67	85
2600 rpm		C	3940	72	79	79	85	78	78	79	66	86
		D	5074	76	82	81	85	80	79	78	65	87
400 V - 50/60 Hz		A	2290	62	73	82	74	71	72	73	58	80
		B	2587	62	73	79	73	71	71	73	57	79
2000 rpm		C	2963	66	73	82	74	72	71	72	57	80
		D	3851	73	77	81	78	75	72	70	56	81
400 V - 50/60 Hz		A	1566	59	66	72	64	65	67	61	45	72
		B	1793	63	66	71	65	65	67	60	44	71
1400 rpm		C	2053	63	66	76	66	65	67	59	44	73
		D	2716	71	68	78	69	68	67	57	43	74
400 V - 50/60 Hz		A	328	N.A.	N.A.	N.A.	N.A.	N.A.	N.A.	N.A.	N.A.	N.A.
		B	369	N.A.	N.A.	N.A.	N.A.	N.A.	N.A.	N.A.	N.A.	N.A.
300 rpm		C	423	N.A.	N.A.	N.A.	N.A.	N.A.	N.A.	N.A.	N.A.	N.A.
		D	565	N.A.	N.A.	N.A.	N.A.	N.A.	N.A.	N.A.	N.A.	N.A.

DIMENSIONAL DRAWINGS

6RC0005ZZ0000000 - RDP E0-0280 2.6kW 400V-3F M6C3 DF0



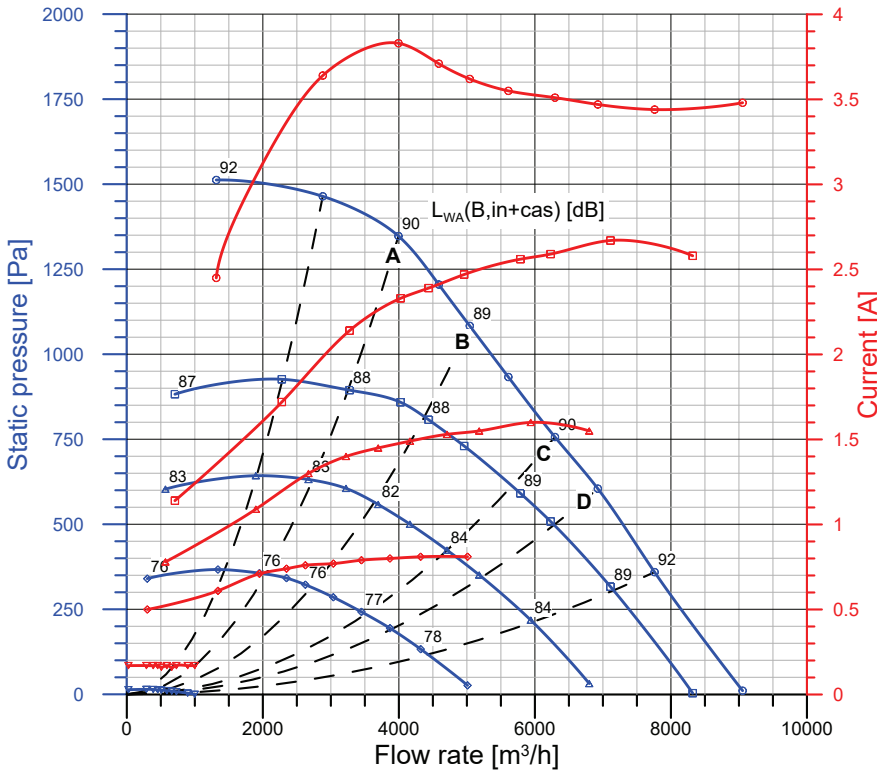
6RC0005ZZ0000001 - RDP E0-0280 2.6kW 400V-3F M6C3 DF0 +FL



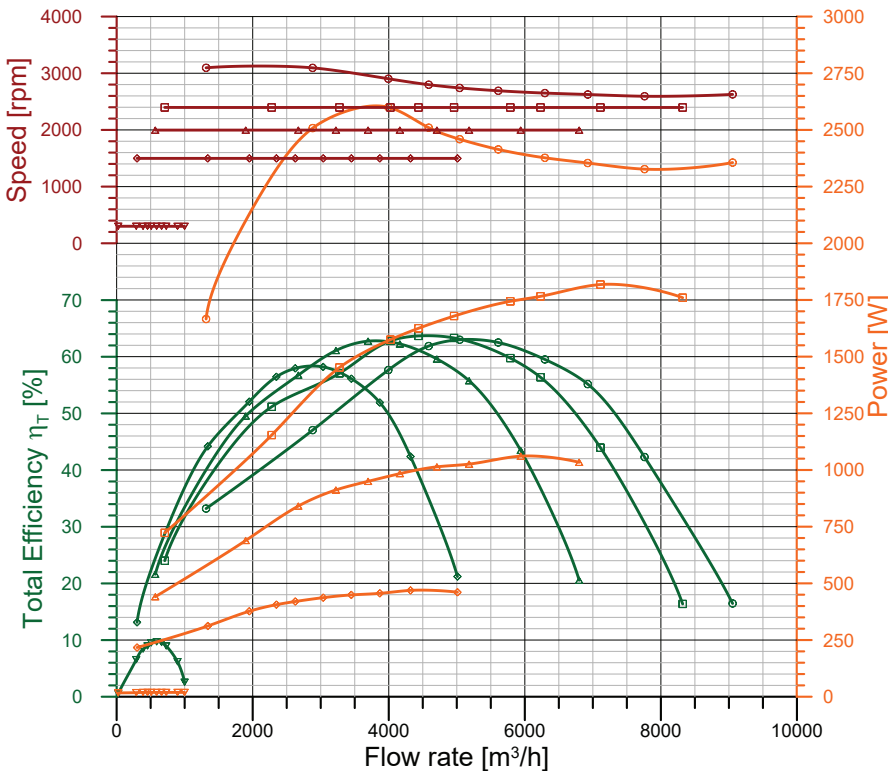
Power:	2600 W (input, max)	Protection Cl.:	IP 54 (Motor)
Poles:	10	Insulation Cl.:	F
Voltage:	400 V	Thermal prot.:	YES-Integral
Supply:	3~	Temp. Min:	-20 °C
Frequency:	50-60 Hz	Temp. Max:	+40 °C
Capacitor:	n.a.	Current Max:	3.8 A

Performance data referring to:
 Standard air density $\rho = 1.20 \text{ kg/m}^3$
 Installation type "B": free inlet, ducted outlet
 Sound Power Levels shown are
 Inlet-side $L_{WA}(B, in+cas)$, A-weighted, in dBA

**Integral speed-control by
 On-board Driver 1431F0**



	qv m³/h	pfs Pa	Pe W	n rpm	I A	η_T %
○ Maximum performance curve (10 V)						
A	3994	1347	2600	2903	3.83	57.7
B	5042	1083	2459	2741	3.62	63.0
C	6295	756	2377	2650	3.51	59.5
D	6925	605	2354	2625	3.47	55.2
□ Performance at 2400 rpm						
A	3275	894	1452	2397	2.14	57.1
B	4437	807	1625	2396	2.39	63.7
C	5787	591	1744	2396	2.56	59.8
D	6231	508	1766	2396	2.59	56.4
△ Performance at 2000 rpm						
A	2671	632	841	1997	1.30	56.8
B	3696	558	950	1997	1.45	62.8
C	4708	424	1014	1997	1.53	59.6
D	5181	351	1026	1997	1.55	55.8
◇ Performance at 1500 rpm						
A	1950	356	377	1498	0.71	52.1
B	2625	322	420	1498	0.76	58.0
C	3450	242	449	1498	0.79	56.1
D	3869	194	456	1498	0.80	51.9
▽ Performance at 300 rpm						
A	388	14	19	299	0.17	8.4
B	508	12	19	299	0.16	9.5
C	661	9	19	300	0.16	9.6
D	729	8	19	300	0.17	9.0



ErP Data acc. to Reg. 327/11/CE
 Performance referred to the best efficiency duty point

Compl. with Reg. 327/11/EC: Tier II (2015)
 Overall Efficiency ($\eta_x C_c$) [%]: 66.9
 Measurement category: B
 Efficiency category: Total
 Efficiency grade N [%]: 73.3
 A variable speed drive is integrated with this fan
 Manufactured since: 2018
 By:
 Regal Beloit Italy S.p.A.
 Via Modena 18
 24040 Ciserano - Italy
 Power input [kW]: 2.459
 Volume flow rate qv [m³/s]: 1.401
 Total Pressure [Pa]: 1128
 Speed [rpm]: 2741
 Specific ratio: 1.011
 Information on:
 - Disassembly, recycling and disposal at end of life
 - Optimal installation, use and maintenance of fans
 is freely downloadable from
www.nicotra-gebhardt.com
 Testing is carried out with the optional
 components of the test airway required,
 according to ISO 5801:2007, for the
 installation type detailed here on top.

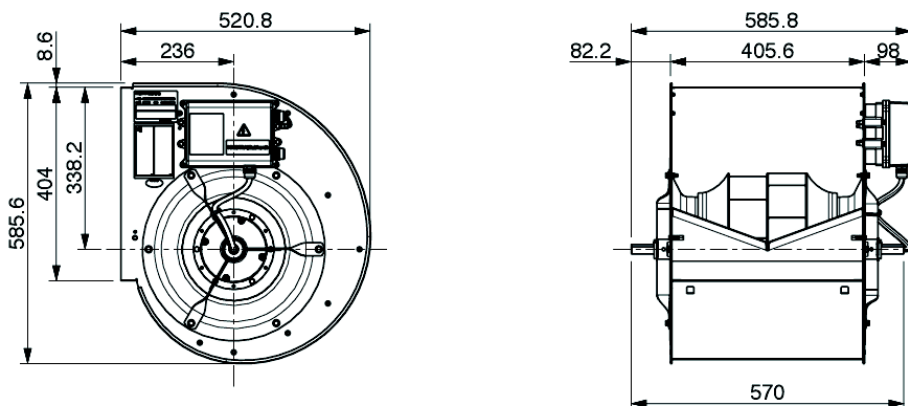
Test nr.: S5605-000/2/3/4/5 Date: 05/07/2018
 Laboratory: Nicotra Gebhardt S.p.A. - Zingonia
 Test chamber: 10000 m³/h

This test data obtained in a laboratory registered
 by AMCA for AMCA 210/07 air performance testing.
 Data is not certified by AMCA.

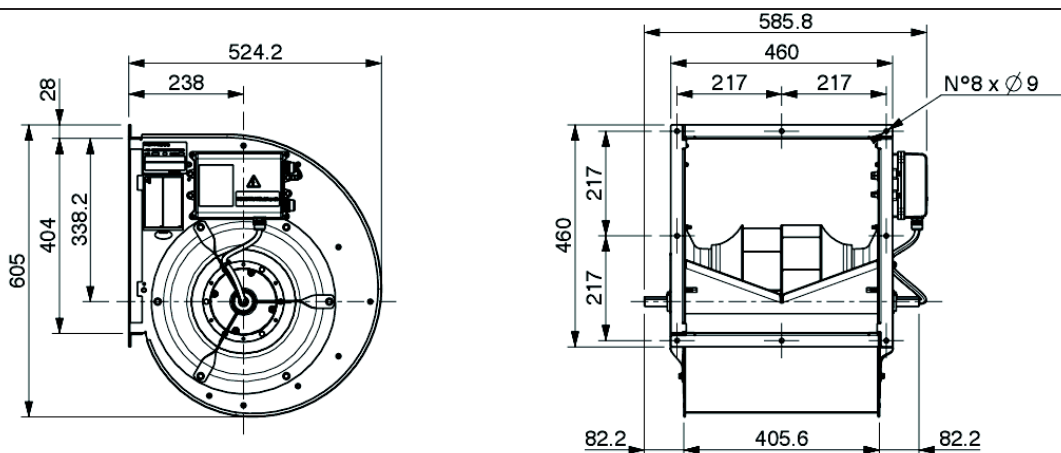
WIRING DIAGRAM		NOISE DATA										
<p>CONNECTIONS MADE BY THE USER</p>		Working point		Sound power level for inlet side (Lw) in dB								
			m ³ /h	63	125	250	500	1k	2k	4k	8kHz	LwA
<p>400 V - 50/60 Hz</p> <p>F.M.W.L.</p>		A	3994	82	87	86	87	85	82	80	76	90
		B	5042	76	82	82	87	83	81	79	73	89
<p>400 V - 50/60 Hz</p> <p>2400 rpm</p>		C	6295	81	83	84	87	84	82	80	71	90
		D	6925	82	84	85	87	85	83	80	71	90
<p>400 V - 50/60 Hz</p> <p>2000 rpm</p>		A	3275	71	82	91	86	78	77	77	68	88
		B	4437	73	79	92	84	79	77	77	67	88
<p>400 V - 50/60 Hz</p> <p>1500 rpm</p>		C	5787	76	80	92	88	81	79	78	67	89
		D	6231	79	81	91	90	81	80	78	66	90
<p>400 V - 50/60 Hz</p> <p>300 rpm</p>		A	2671	72	79	82	80	73	73	77	62	83
		B	3696	69	75	80	78	75	73	76	61	82
<p>400 V - 50/60 Hz</p> <p>1500 rpm</p>		C	4708	73	77	81	82	77	75	76	60	84
		D	5181	76	77	82	81	77	75	76	60	84
<p>400 V - 50/60 Hz</p> <p>300 rpm</p>		A	1950	66	75	79	68	68	69	68	52	76
		B	2625	61	70	80	69	68	69	68	51	76
<p>400 V - 50/60 Hz</p> <p>300 rpm</p>		C	3450	66	70	79	72	70	69	67	50	77
		D	3869	71	71	79	72	71	70	67	51	77
<p>400 V - 50/60 Hz</p> <p>300 rpm</p>		A	388	N.A.	N.A.	N.A.	N.A.	N.A.	N.A.	N.A.	N.A.	N.A.
		B	508	N.A.	N.A.	N.A.	N.A.	N.A.	N.A.	N.A.	N.A.	N.A.
<p>400 V - 50/60 Hz</p> <p>300 rpm</p>		C	661	N.A.	N.A.	N.A.	N.A.	N.A.	N.A.	N.A.	N.A.	N.A.
		D	729	N.A.	N.A.	N.A.	N.A.	N.A.	N.A.	N.A.	N.A.	N.A.

DIMENSIONAL DRAWINGS

6RC0006ZZ0000000 - RDP E0-0315 2.6kW 400V-F M6A5 DF0



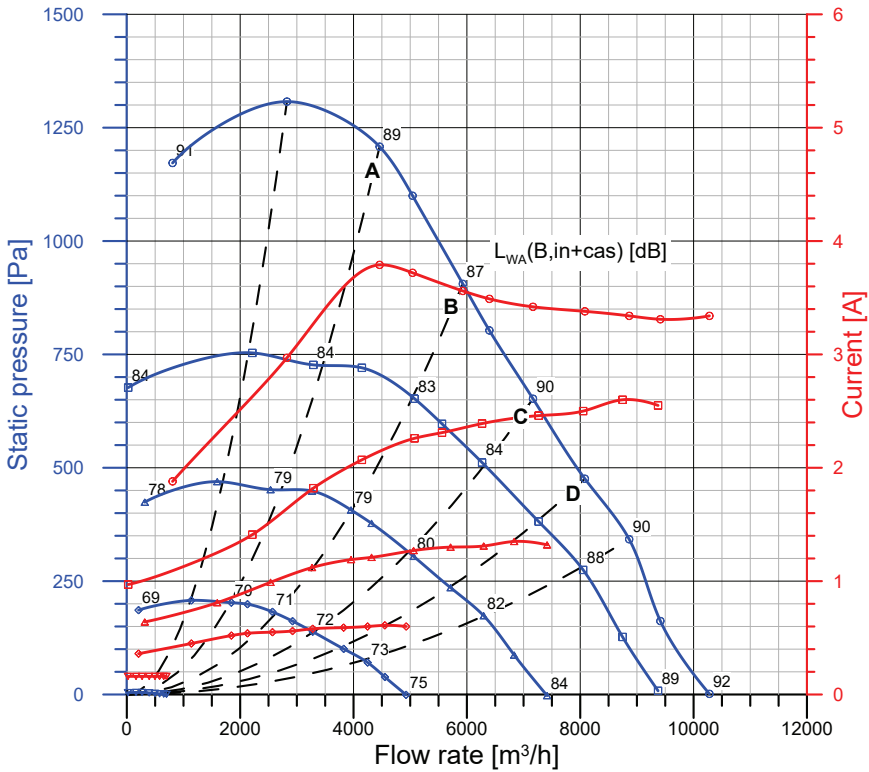
6RC0006ZZ0000001 - RDP E0-0315 2.6kW 400V-F M6A5 DF0 +FL



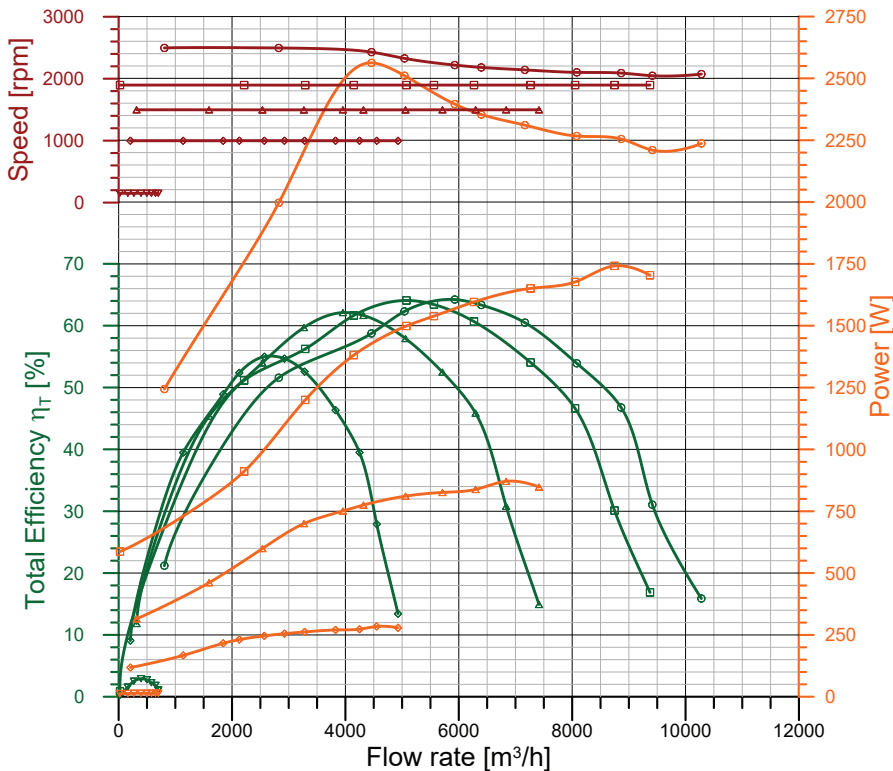
Power:	2560 W (input, max)	Protection Cl.:	IP 54 (Motor)
Poles:	10	Insulation Cl.:	F
Voltage:	400 V	Thermal prot.:	YES-Integral
Supply:	3~	Temp. Min.:	-20 °C
Frequency:	50-60 Hz	Temp. Max.:	+40 °C
Capacitor:	n.a.	Current Max.:	3.8 A

Performance data referring to:
Standard air density $\rho = 1.20 \text{ kg/m}^3$
Installation type "B": free inlet, ducted outlet
Sound Power Levels shown are
Inlet-side $L_{WA}(B, in+cas)$, A-weighted, in dBA

Integral speed-control by On-board Driver 1431F0



	qv m³/h	pfs Pa	Pe W	n rpm	I A	η_T %
○ Maximum performance curve (10 V)						
A	4460	1208	2563	2429	3.79	58.8
B	5928	906	2396	2220	3.56	64.2
C	7166	652	2311	2142	3.42	60.5
D	8081	476	2267	2102	3.38	53.9
□ Performance at 1900 rpm						
A	3291	727	1200	1896	1.82	56.2
B	5076	652	1499	1897	2.26	64.1
C	6268	512	1596	1897	2.39	60.7
D	7266	381	1651	1897	2.46	54.1
△ Performance at 1500 rpm						
A	2536	452	599	1497	0.99	54.0
B	3956	407	751	1498	1.19	62.1
C	5060	305	811	1497	1.27	57.9
D	5712	236	826	1498	1.30	52.5
◇ Performance at 1000 rpm						
A	1844	203	216	998	0.52	48.9
B	2570	182	246	998	0.55	55.0
C	3280	138	262	998	0.58	52.6
D	3826	101	270	998	0.59	46.3
▽ Performance at 150 rpm						
A	269	4	14	150	0.16	2.5
B	497	3	14	150	0.16	2.7
C	651	1	14	150	0.16	1.8
D	700	0	14	150	0.16	1.1



ErP Data acc. to Reg. 327/11/CE Performance referred to the best efficiency duty point

Compl. with Reg. 327/11/EC: Tier II (2015)
Overall Efficiency ($\eta_x C_c$) [%]: 68.2
Measurement category: B
Efficiency category: Total
Efficiency grade N [%]: 74.7
A variable speed drive is integrated with this fan
Manufactured since: 2018
By:
Regal Beloit Italy S.p.A.
Via Modena 18
24040 Ciserano - Italy
Power input [kW]: 2.396
Volume flow rate qv [m³/s]: 1.647
Total Pressure [Pa]: 947
Speed [rpm]: 2220
Specific ratio: 1.009
Information on:
- Disassembly, recycling and disposal at end of life
- Optimal installation, use and maintenance of fans
are freely downloadable from
www.nicotra-gebhardt.com
Testing is carried out with the optional
components of the test airway required,
according to ISO 5801:2007, for the
installation type detailed here on top.

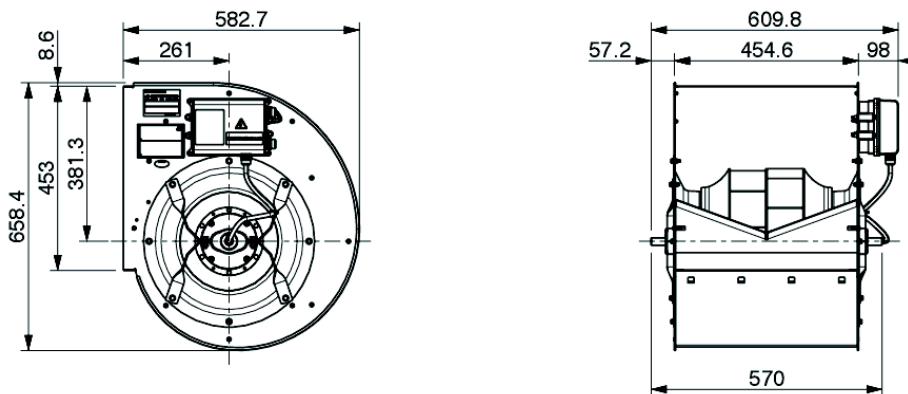
Test nr.: S5586-000/2/3/4/5 Date: 05/07/2018
Laboratory: Nicotra Gebhardt S.p.A. - Zingonia
Test chamber: 10000 m³/h

This test data obtained in a laboratory registered
by AMCA for AMCA 210/07 air performance testing.
Data is not certified by AMCA.

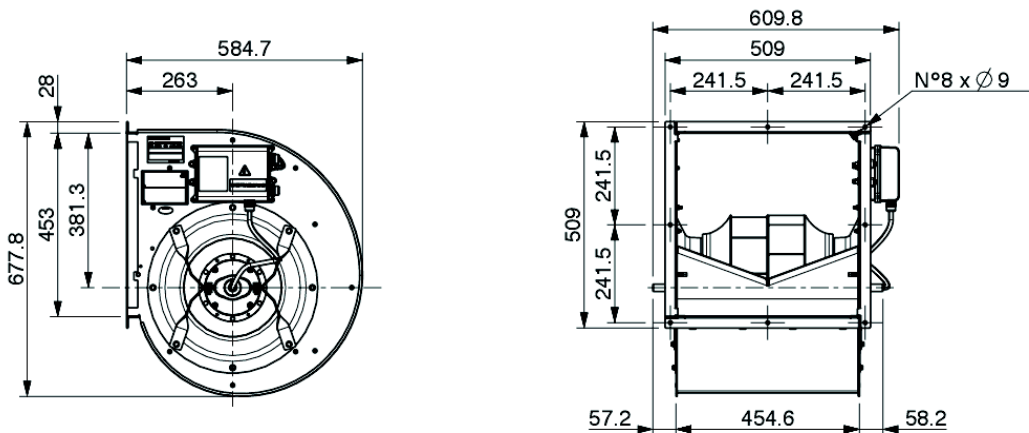
WIRING DIAGRAM		NOISE DATA										
<p>CONNECTIONS MADE BY THE USER</p>		Working point		Sound power level for inlet side (Lw) in dB								
			m ³ /h	63	125	250	500	1k	2k	4k	8kHz	LwA
400 V - 50/60 Hz		A	4460	86	89	92	85	83	81	79	71	89
		B	5928	79	81	88	83	83	79	78	69	87
Fan Maximum		C	7166	83	82	84	88	86	80	78	67	90
		D	8081	83	83	90	84	85	81	79	67	89
400 V - 50/60 Hz		A	3291	82	85	84	77	77	75	77	62	84
		B	5076	77	78	83	78	77	75	76	62	83
1900 rpm		C	6268	79	79	84	80	79	76	76	62	84
		D	7266	82	82	88	82	81	78	76	63	86
400 V - 50/60 Hz		A	2536	77	79	80	74	72	71	70	55	79
		B	3956	70	73	79	74	73	70	70	55	79
1500 rpm		C	5060	74	75	80	77	75	71	69	54	80
		D	5712	76	77	81	77	77	72	69	55	81
400 V - 50/60 Hz		A	1844	67	71	71	63	67	63	54	41	70
		B	2570	64	70	70	64	67	63	55	41	71
1000 rpm		C	3280	76	72	74	67	68	62	54	40	72
		D	3826	74	73	73	68	68	62	54	41	72
400 V - 50/60 Hz		A	269	N.A.	N.A.	N.A.	N.A.	N.A.	N.A.	N.A.	N.A.	N.A.
		B	497	N.A.	N.A.	N.A.	N.A.	N.A.	N.A.	N.A.	N.A.	N.A.
150 rpm		C	651	N.A.	N.A.	N.A.	N.A.	N.A.	N.A.	N.A.	N.A.	N.A.
		D	700	N.A.	N.A.	N.A.	N.A.	N.A.	N.A.	N.A.	N.A.	N.A.

DIMENSIONAL DRAWINGS

6RC0007ZZ0000000 - RDP E0-0355 2.6kW 400V-3F M6C2 DF0



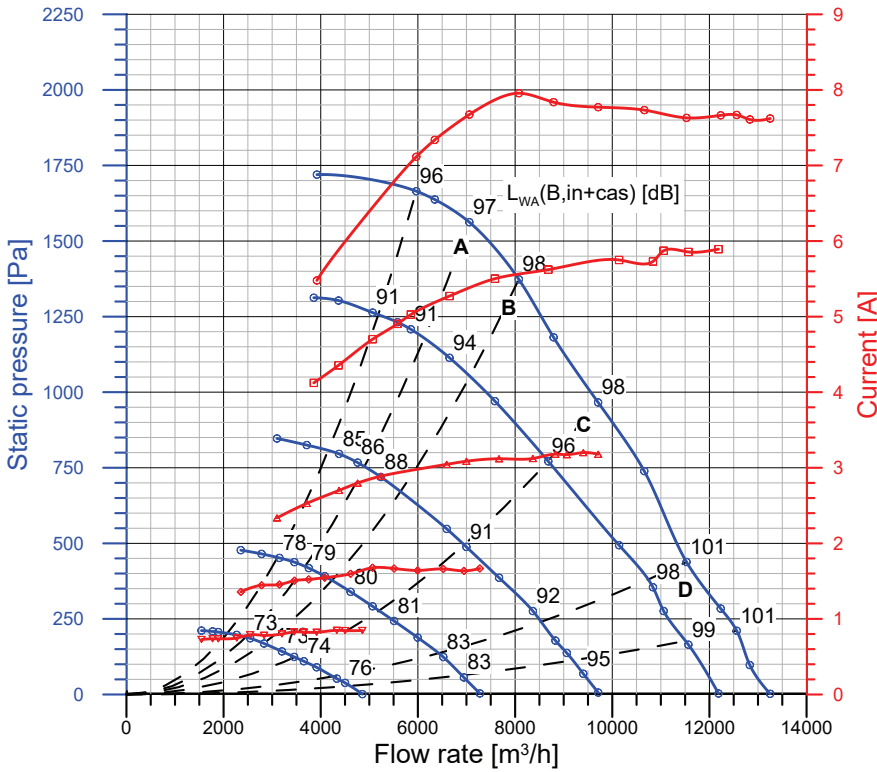
6RC0007ZZ0000001 - RDP E0-0355 2.6kW 400V-3F M6C2 DF0 +FL



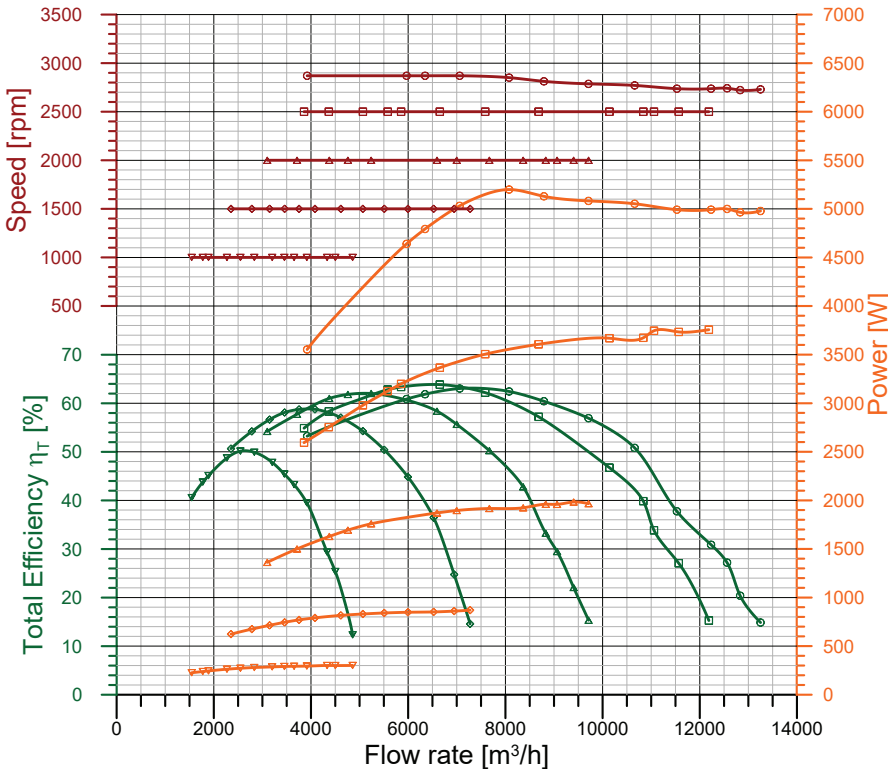
Power:	5200 W (input, max)	Protection Cl.:	IP 55
Poles:	10	Insulation Cl.:	F
Voltage:	400 V	Thermal prot.:	YES-Integral
Supply:	3~	Temp. Min.:	-20 °C
Frequency:	50-60 Hz	Temp. Max.:	+40(+50) °C
Capacitor:	n.a.	Current Max.:	8.0 A

Performance data referring to:
 Standard air density $\rho = 1.20 \text{ kg / m}^3$
 Installation type "B": free inlet, ducted outlet
 Sound Power Levels shown are
 Inlet-side $L_{WA}(B, in+cas)$, A-weighted, in dBA

**Integral speed-control by
 Integral On-board Driver**



	qv m³/h	pfs Pa	Pe W	n rpm	I A	η_T %
○ Maximum performance curve (10 V)						
A	7059	1562	5031	2870	7.67	63.0
B	8077	1373	5199	2851	7.96	62.4
C	9710	966	5082	2787	7.77	56.9
D	11529	438	4992	2737	7.63	37.8
□ Performance at 2500 rpm						
A	5854	1208	3199	2500	5.03	63.4
B	6650	1114	3366	2500	5.27	63.9
C	8684	771	3607	2500	5.62	57.2
D	10838	355	3673	2500	5.73	39.9
△ Performance at 2000 rpm						
A	4758	767	1694	2000	2.80	61.8
B	5238	719	1759	2000	2.89	62.0
C	6998	488	1896	2000	3.09	55.7
D	8366	276	1924	2000	3.12	42.8
◇ Performance at 1500 rpm						
A	3754	418	770	1500	1.52	58.7
B	4081	391	791	1500	1.55	58.8
C	5066	292	831	1500	1.68	54.3
D	6523	124	852	1500	1.66	36.5
▽ Performance at 1000 rpm						
A	2270	197	263	1000	0.75	48.7
B	2833	169	280	1000	0.78	49.9
C	3652	110	293	1000	0.83	43.3
D	4331	52	301	1000	0.85	29.4



ErP Data acc. to Reg. 327/11/CE
 Performance referred to the best efficiency duty point

Compl. with Reg. 327/11/EC: Tier II (2015)
 Overall Efficiency ($\eta_x C_c$) [%]: 65.5
 Measurement category: B
 Efficiency category: Total
 Efficiency grade N [%]: 68.6
 A variable speed drive is integrated with this fan
 Manufactured since: 2021
 By: *Regal Beloit Italy S.p.A.*
Via Modena 18
24040 Ciserano - Italy
 Power input [kW]: 5.031
 Volume flow rate qv [m³/s]: 1.961
 Total Pressure [Pa]: 1618
 Speed [rpm]: 2870
 Specific ratio: 1.016
 Information on:

- Disassembly, recycling and disposal at end of life
- Optimal installation, use and maintenance of fans

are freely downloadable from
www.nicotra-gebhardt.com

Testing is carried out with the optional components of the test airway required, according to ISO 5801:2007, for the installation type detailed here on top.

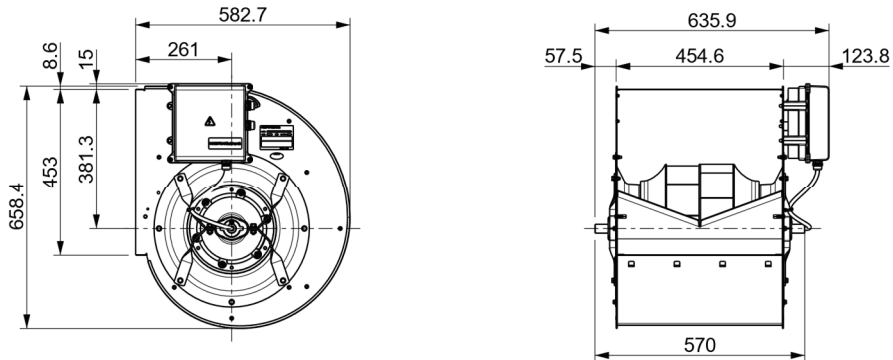
Test nr.: 298-268-267-266-264 Date: 01/2021
 Laboratory: Regal Beloit Italy SpA
 Test chamber: AMCA-50000
 Produced with NG Fan Datasheet Template Ver. B-BC+FC-1.4, on 14/05/2021

This test data obtained in a laboratory registered by AMCA for AMCA 210/07 air performance testing. Data is not certified by AMCA.

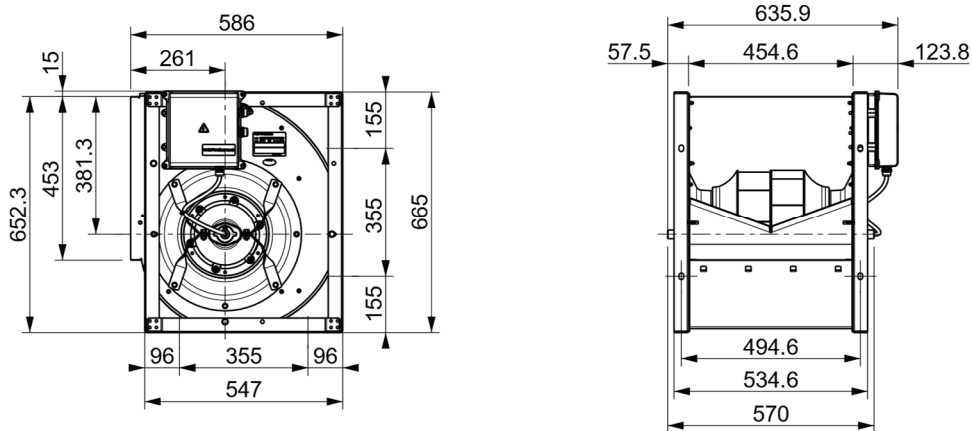
WIRING DIAGRAM		NOISE DATA											
		Working point			Sound power level for inlet side (Lw) in dB								
			m ³ /h	63	125	250	500	1k	2k	4k	8kHz	LwA	
<p>CONNECTIONS MADE BY THE USER</p> <p>CONNECTIONS MADE BY Nicotra Gebhardt</p>		400 V - 50/60 Hz	A	7059	102	91	97	94	91	90	84	79	97
		Fan Maximum	B	8077	101	92	91	96	93	91	84	76	98
		Working	C	9710	101	93	91	97	92	91	85	77	98
		Limit	D	11529	88	96	93	100	95	93	87	79	101
		400 V - 50/60 Hz	A	5854	83	94	86	89	86	84	81	74	91
		2500 rpm	B	6650	83	87	86	92	89	86	80	74	94
			C	8684	85	90	87	96	91	89	82	74	96
			D	10838	85	91	90	98	92	91	85	76	98
		400 V - 50/60 Hz	A	4758	85	85	82	84	81	78	76	66	86
		2000 rpm	B	5238	81	85	84	87	82	79	74	65	88
			C	6998	85	85	86	91	84	81	74	65	91
			D	8366	85	89	87	92	86	84	77	67	92
		400 V - 50/60 Hz	A	3754	75	78	79	75	73	70	67	59	79
		1500 rpm	B	4081	76	78	80	76	74	71	70	57	79
			C	5066	75	77	81	76	75	71	66	58	80
			D	6523	78	80	82	81	79	75	67	56	83
		400 V - 50/60 Hz	A	2270	74	75	74	69	70	64	55	43	73
		1000 rpm	B	2833	74	74	73	70	69	61	56	41	73
			C	3652	73	75	73	72	70	62	53	42	74
			D	4331	74	77	75	75	72	64	56	47	76

DIMENSIONAL DRAWINGS

6RD0007ZZ0000000 – RDP E0-0355 5.2kW 400V-3F M6L3 DG6



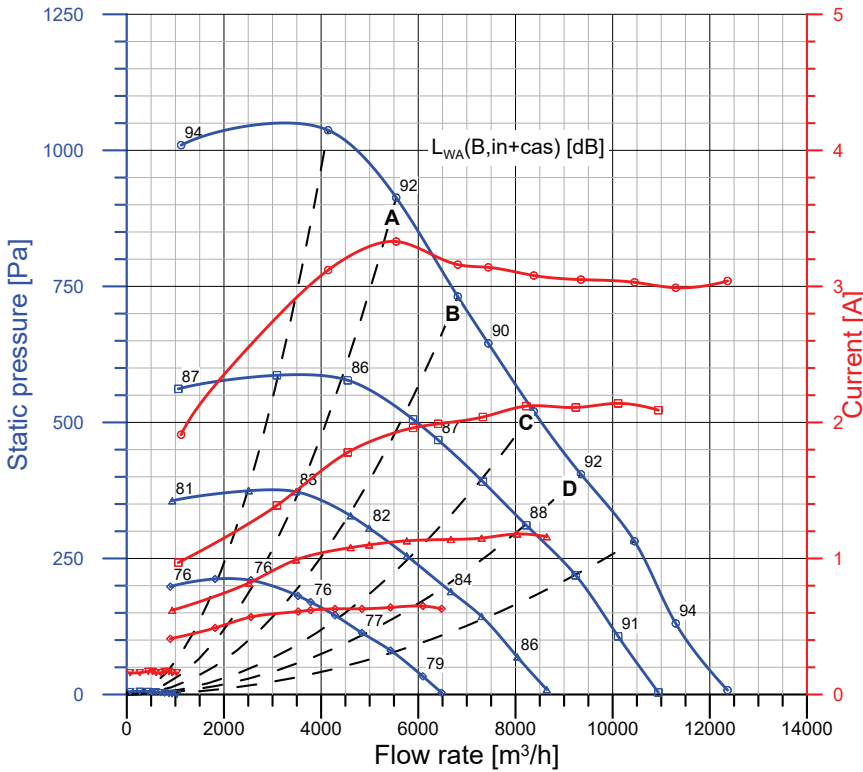
6RD0027ZZ0000000 – RDP E2-0355 5.2kW 400V-3F M6L3 DG6



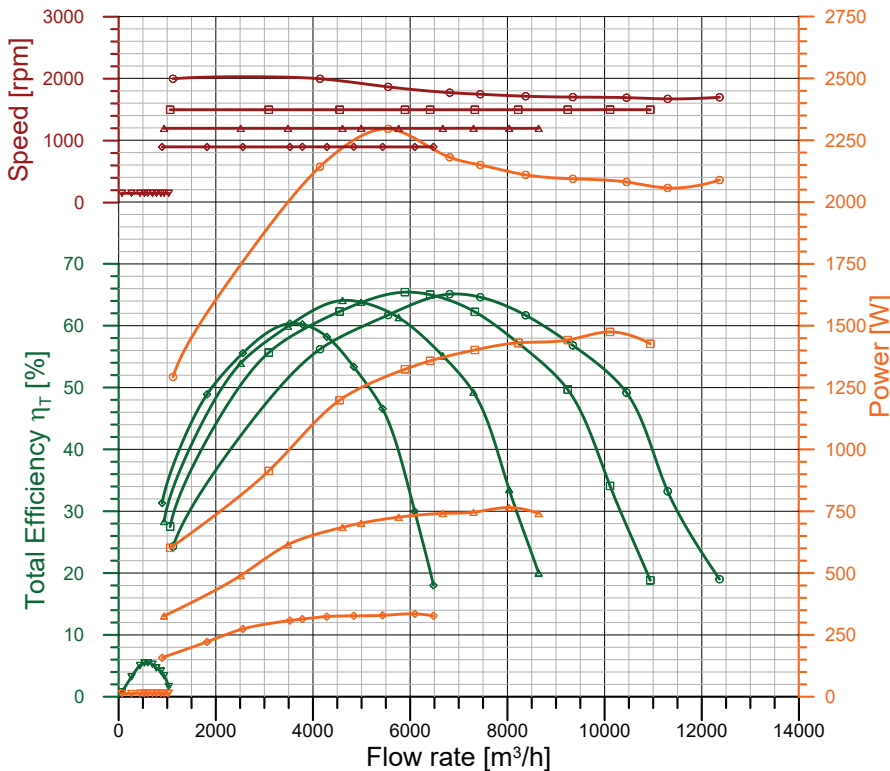
Power:	2300 W (input, max)	Protection Cl.:	IP 54 (Motor)
Poles:	8	Insulation Cl.:	F
Voltage:	400 V	Thermal prot.:	YES-Integral
Supply:	3~	Temp. Min.:	-20 °C
Frequency:	50-60 Hz	Temp. Max.:	+40 °C
Capacitor:	n.a.	Current Max.:	3.5 A

Performance data referring to:
Standard air density $\rho = 1.20 \text{ kg / m}^3$
Installation type "B": free inlet, ducted outlet
Sound Power Levels shown are
Inlet-side $L_{WA}(B, in+cas)$, A-weighted, in dBA

Integral speed-control by On-board Driver 1431F0



	qv m3/h	pfs Pa	Pe W	n rpm	I A	η_T %
○ Maximum performance curve (10 V)						
A	5546	913	2296	1868	3.33	61.7
B	6813	731	2181	1775	3.16	65.1
C	8376	520	2110	1717	3.08	61.7
D	9347	405	2094	1703	3.05	56.8
□ Performance at 1500 rpm						
A	4548	577	1199	1499	1.78	62.3
B	5891	506	1324	1499	1.96	65.4
C	7330	391	1402	1499	2.04	62.2
D	8223	311	1431	1499	2.12	57.2
△ Performance at 1200 rpm						
A	3484	373	615	1199	0.99	59.9
B	4607	329	685	1199	1.08	64.1
C	5763	255	726	1199	1.13	61.3
D	6670	189	741	1199	1.14	55.1
◇ Performance at 900 rpm						
A	2554	210	274	899	0.57	55.6
B	3526	181	308	899	0.61	60.3
C	4285	145	324	899	0.63	58.2
D	4838	113	327	900	0.63	53.4
▽ Performance at 150 rpm						
A	440	6	14	150	0.17	5.1
B	532	5	14	150	0.17	5.5
C	697	3	14	150	0.16	5.2
D	777	3	14	150	0.17	4.7



ErP Data acc. to Reg. 327/11/CE Performance referred to the best efficiency duty point

Compl. with Reg. 327/11/EC: Tier II (2015)
Overall Efficiency ($\eta_T \times C_c$) [%]: 69.3
Measurement category: B
Efficiency category: Total
Efficiency grade N [%]: 76.2
A variable speed drive is integrated with this fan
Manufactured since: 2018
By: *Regal Beloit Italy S.p.A.*
Via Modena 18
24040 Ciserano - Italy
Power input [kW]: 2.181
Volume flow rate q_v [m^3/s]: 1.893
Total Pressure [Pa]: 764
Speed [rpm]: 1775
Specific ratio: 1.008

Information on:
- Disassembly, recycling and disposal at end of life
- Optimal installation, use and maintenance of fans

are freely downloadable from
www.nicotra-gebhardt.com

Testing is carried out with the optional components of the test airway required, according to ISO 5801:2007, for the installation type detailed here on top.

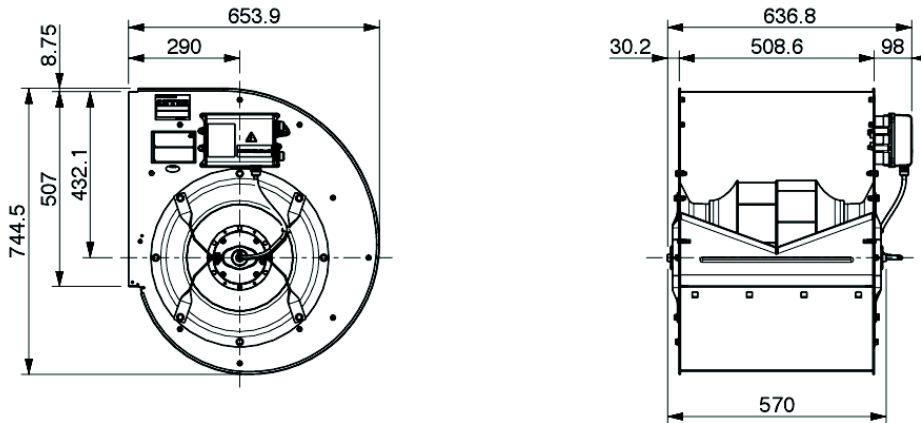
Test nr.: S5597-000/2/3/4/5 Date: 05/07/2018
Laboratory: Nicotra Gebhardt S.p.A. - Zingonia
Test chamber: 50000 m3/h

This test data obtained in a laboratory registered by AMCA for AMCA 210/07 air performance testing. Data is not certified by AMCA.

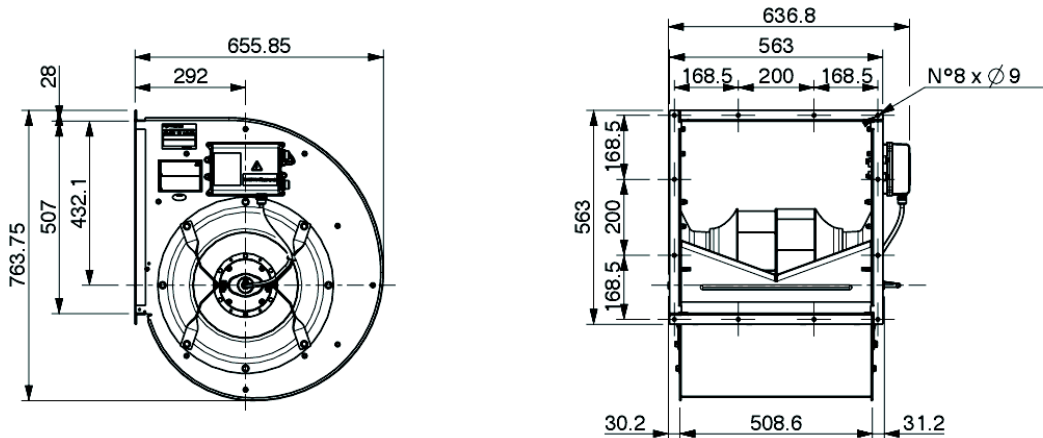
WIRING DIAGRAM		NOISE DATA										
<p>CONNECTIONS MADE BY THE USER</p>		Working point		Sound power level for inlet side (Lw) in dB								
			m ³ /h	63	125	250	500	1k	2k	4k	8kHz	LwA
400 V - 50/60 Hz		A	5546	82	84	92	87	84	83	86	73	92
		Fan Maximum	B	6813	79	81	87	87	84	83	85	71
Working		C	8376	80	82	90	88	84	84	83	70	91
		Limit	D	9347	78	83	93	88	86	85	83	70
400 V - 50/60 Hz		A	4548	78	80	86	80	79	80	80	66	86
		1500 rpm	B	5891	74	77	90	83	80	80	79	66
		C	7330	76	79	88	83	81	81	78	65	87
		D	8223	77	80	89	84	82	81	78	64	88
400 V - 50/60 Hz		A	3484	74	78	88	77	73	77	70	59	83
		1200 rpm	B	4607	73	77	87	78	73	76	70	58
		C	5763	72	78	86	83	74	76	70	57	84
		D	6670	73	78	85	84	76	77	69	57	84
400 V - 50/60 Hz		A	2554	70	72	69	70	73	69	62	48	76
		900 rpm	B	3526	69	73	71	71	72	68	62	48
		C	4285	69	73	72	75	73	68	61	47	77
		D	4838	72	76	74	75	73	68	60	46	77
400 V - 50/60 Hz		A	440	N.A.	N.A.	N.A.	N.A.	N.A.	N.A.	N.A.	N.A.	N.A.
		150 rpm	B	532	N.A.	N.A.	N.A.	N.A.	N.A.	N.A.	N.A.	N.A.
		C	697	N.A.	N.A.	N.A.	N.A.	N.A.	N.A.	N.A.	N.A.	N.A.
		D	777	N.A.	N.A.	N.A.	N.A.	N.A.	N.A.	N.A.	N.A.	N.A.

DIMENSIONAL DRAWINGS

6RC0008ZZ0000000 - RDP E0-0400 2.6kW 400V-3F M6C4 DF0



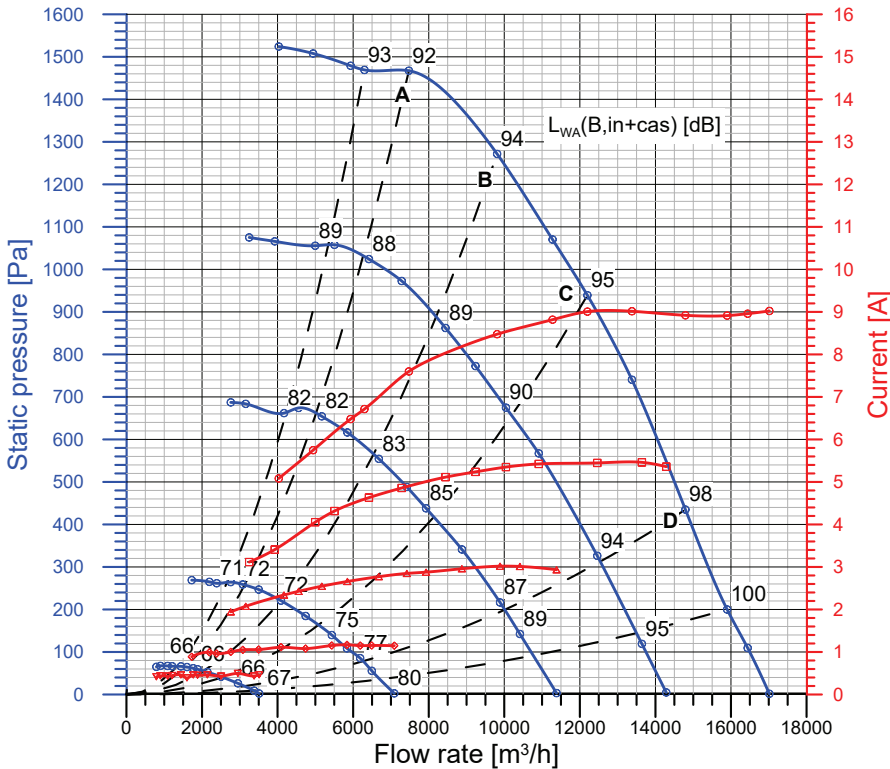
6RC0008ZZ0000001 - RDP E0-0400 2.6kW 400V-3F M6C4 DF0 +FL



Power:	5900 W (input, max)	Protection Cl.:	IP 55
Poles:	10	Insulation Cl.:	F
Voltage:	400 V	Thermal prot.:	YES-Integral
Supply:	3~	Temp. Min.:	-20 °C
Frequency:	50-60 Hz	Temp. Max.:	+40(+50) °C
Capacitor:	n.a.	Current Max.:	9.0 A

Performance data referring to:
 Standard air density $\rho = 1.20 \text{ kg/m}^3$
 Installation type "B": free inlet, ducted outlet
 Sound Power Levels shown are
 Inlet-side $L_{WA}(B, in+cas)$, A-weighted, in dBA

**Integral speed-control by
 Integral On-board Driver**



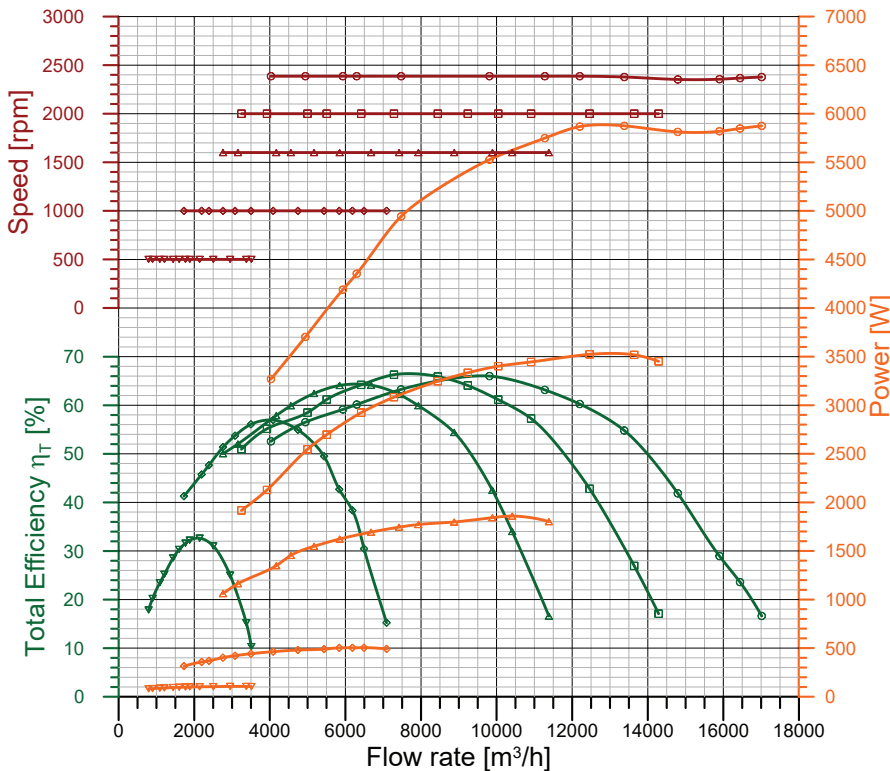
	qv m3/h	pfs Pa	Pe W	n rpm	I A	η_T %
○ Maximum performance curve (10 V)						
A	7475	1467	4943	2386	7.60	63.3
B	9811	1271	5527	2386	8.48	66.0
C	12200	939	5868	2386	9.01	60.3
D	14794	435	5813	2353	8.92	41.9
□ Performance at 2000 rpm						
A	6418	1024	2924	2000	4.63	64.2
B	8445	862	3247	2000	5.11	65.9
C	10043	675	3402	2000	5.35	61.2
D	12461	326	3524	2000	5.45	42.8
△ Performance at 1600 rpm						
A	5170	654	1548	1600	2.55	62.4
B	6679	554	1694	1600	2.77	64.2
C	7931	438	1772	1600	2.88	59.9
D	9888	216	1843	1600	3.02	42.5
◇ Performance at 1000 rpm						
A	3080	259	423	1000	1.05	53.8
B	4090	221	464	1000	1.11	57.0
C	5436	140	490	1000	1.15	49.5
D	6186	85	503	1000	1.15	38.4
▽ Performance at 500 rpm						
A	1441	66	95	500	0.46	28.6
B	1882	59	100	500	0.45	32.2
C	2505	42	104	500	0.43	31.0
D	2950	26	106	500	0.50	25.0

ErP Data acc. to Reg. 327/11/CE
 Performance referred to the best efficiency duty point

Compl. with Reg. 327/11/EC: Tier II (2015)
 Overall Efficiency ($\eta_T \times C_c$) [%]: 68.4
 Measurement category: B
 Efficiency category: Total
 Efficiency grade N [%]: 71.1
A variable speed drive is integrated with this fan
 Manufactured since: 2021
 By: **Regal Beloit Italy S.p.A.**
 Via Modena 18
 24040 Ciserano - Italy
 Power input [kW]: 5.527
 Volume flow rate qv [m³/s]: 2.725
 Total Pressure [Pa]: 1339
 Speed [rpm]: 2386
 Specific ratio: 1.013

Information on:
 - Disassembly, recycling and disposal at end of life
 - Optimal installation, use and maintenance of fans
 are freely downloadable from
www.nicotra-gebhardt.com

Testing is carried out with the optional components of the test airway required, according to ISO 5801:2007, for the installation type detailed here on top.



Test nr.: 259-258-257-255-254 Date: 01/2021
 Laboratory: Regal Beloit Italy SpA
 Test chamber: AMCA-50000

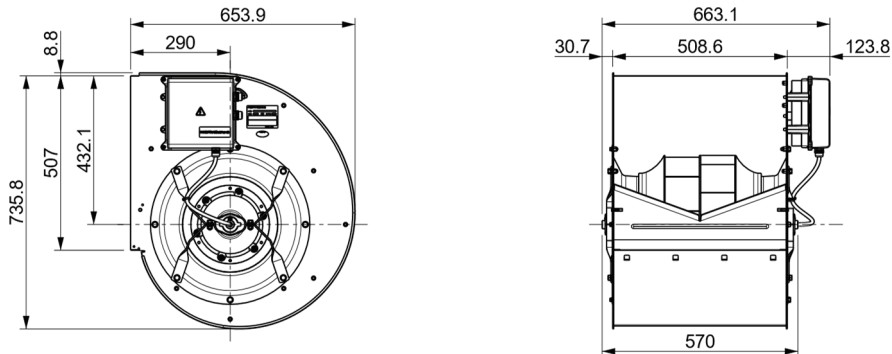
Produced with NG Fan Datasheet Template Ver. B-BC+FC-1.4, on 17/05/2021

This test data obtained in a laboratory registered by AMCA for AMCA 210/07 air performance testing. Data is not certified by AMCA.

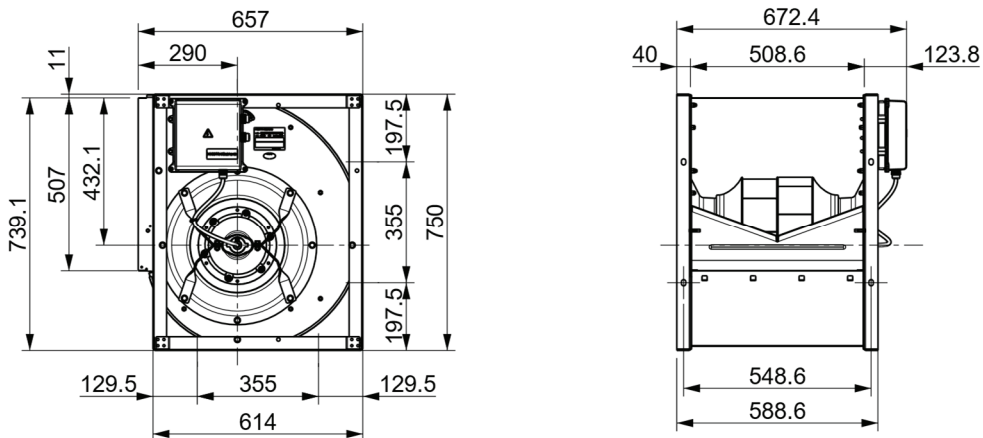
WIRING DIAGRAM		NOISE DATA										
<p>CONNECTIONS MADE BY THE USER</p> <p>CONNECTIONS MADE BY Nicotra Gebhardt</p>		Working point		Sound power level for inlet side (L _w) in dB								L _{wA}
			m ³ /h	63	125	250	500	1k	2k	4k	8kHz	
<p>400 V / 50-60 Hz</p> <p>Fan Maximum</p> <p>Working</p> <p>Limit</p> <p>400 V / 50-60 Hz</p> <p>2000 rpm</p> <p>400 V / 50-60 Hz</p> <p>1600 rpm</p> <p>400 V / 50-60 Hz</p> <p>1000 rpm</p> <p>400 V / 50-60 Hz</p> <p>500 rpm</p>		A	7475	86	91	87	91	86	84	80	76	92
		B	9811	90	90	88	92	88	86	80	75	94
		C	12200	86	91	89	92	90	88	82	74	95
		D	14794	88	94	91	97	94	91	85	76	98
		A	6418	84	89	84	87	81	78	76	71	88
		B	8445	86	86	85	88	83	81	75	70	89
		C	10043	83	87	86	88	85	83	77	70	90
		D	12461	85	90	90	93	88	86	80	72	94
		A	5170	78	82	81	80	76	73	71	63	82
		B	6679	78	82	84	80	77	74	69	62	83
		C	7931	80	84	85	84	80	77	70	60	85
		D	9888	82	86	86	86	82	79	73	63	87
		A	3080	77	75	73	69	65	64	58	47	72
		B	4090	76	74	75	70	66	62	57	45	72
		C	5436	75	77	75	74	69	64	56	45	75
		D	6186	79	78	78	75	71	66	60	50	77
		A	1441	77	70	64	65	60	55	45	36	66
		B	1882	73	70	65	65	60	55	46	42	66
		C	2505	73	71	65	65	60	55	46	47	66
		D	2950	77	70	65	66	60	55	45	46	66

DIMENSIONAL DRAWINGS

6RD0008ZZ0000000 – RDP E0-0400 5.9kW 400V-3F M6L4 DG6



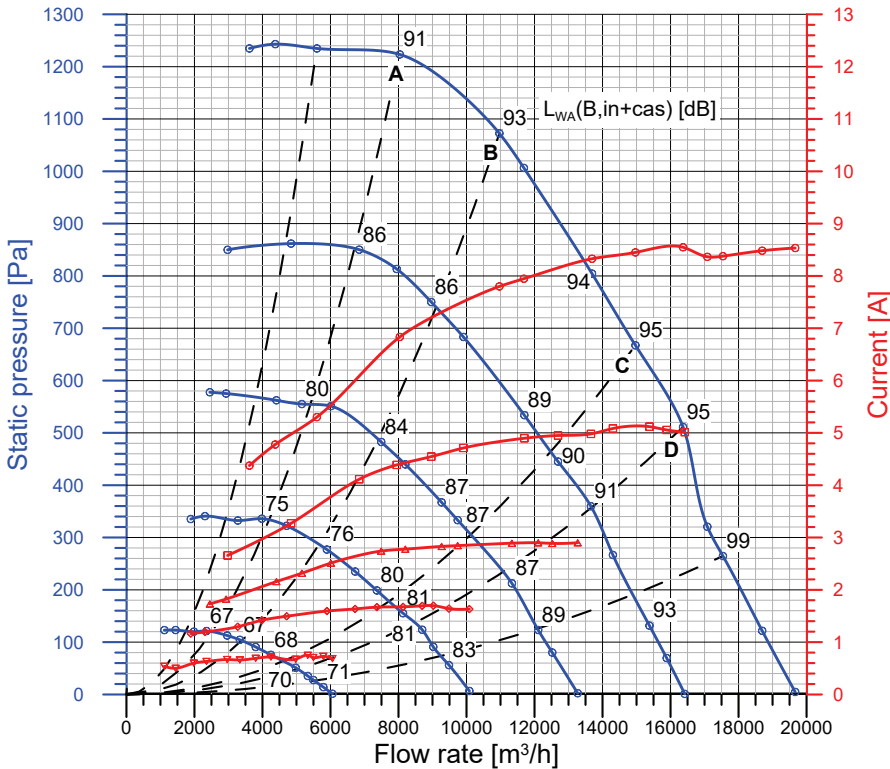
6RD0028ZZ0000000 – RDP E2-0400 5.9kW 400V-3F M6L4 DG6



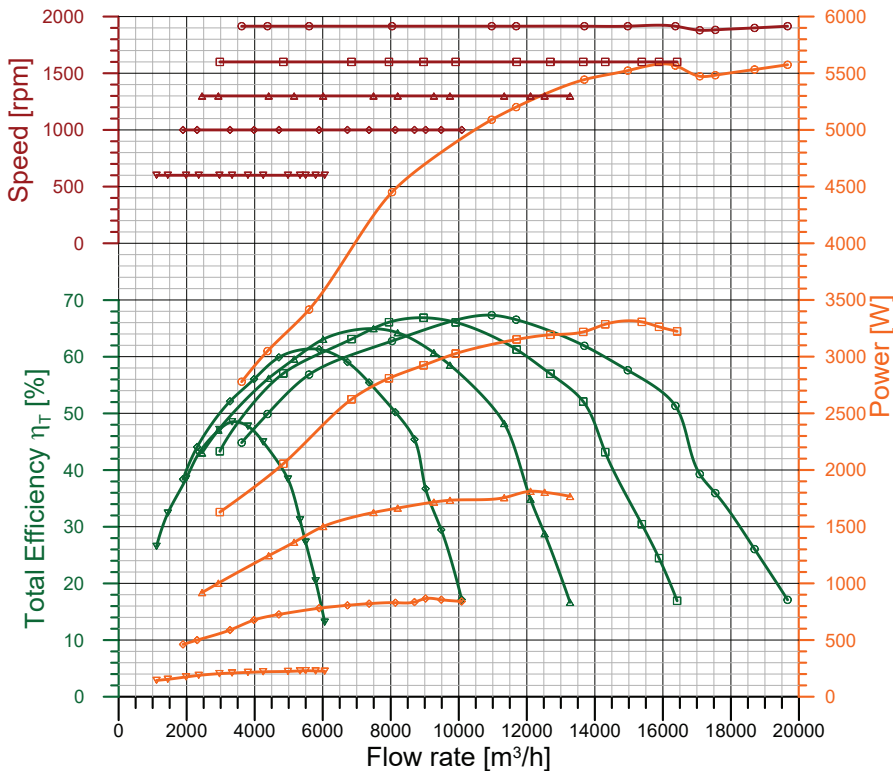
Power:	5600 W (input, max)	Protection Cl.:	IP 55
Poles:	10	Insulation Cl.:	F
Voltage:	400 V	Thermal prot.:	YES-Integral
Supply:	3~	Temp. Min.:	-20 °C
Frequency:	50-60 Hz	Temp. Max.:	+40(+50) °C
Capacitor:	n.a.	Current Max.:	8.6 A

Performance data referring to:
Standard air density $\rho = 1.20 \text{ kg / m}^3$
Installation type "B": free inlet, ducted outlet
Sound Power Levels shown are
Inlet-side $L_{WA}(B, in+cas)$, A-weighted, in dBA

Integral speed-control by Integral On-board Driver



	qv m³/h	pfs Pa	Pe W	n rpm	I A	η_T %
○ Maximum performance curve (10 V)						
A	8037	1223	4451	1915	6.83	62.8
B	10968	1072	5090	1915	7.80	67.3
C	14968	667	5523	1915	8.45	57.6
D	16368	511	5568	1915	8.55	51.3
□ Performance at 1600 rpm						
A	6846	850	2624	1600	4.11	63.1
B	8964	750	2924	1600	4.55	66.9
C	12692	445	3192	1600	4.95	57.0
D	13659	360	3218	1600	4.98	52.1
△ Performance at 1300 rpm						
A	5159	555	1363	1300	2.32	59.6
B	7493	483	1625	1300	2.74	65.0
C	9741	333	1733	1300	2.85	58.5
D	11335	212	1756	1300	2.89	48.2
◇ Performance at 1000 rpm						
A	3981	336	677	1000	1.42	56.0
B	5894	277	780	1000	1.60	61.3
C	7363	199	821	1000	1.67	55.5
D	8134	155	830	1000	1.68	50.2
▽ Performance at 600 rpm						
A	2355	121	188	600	0.63	42.9
B	3334	105	209	600	0.66	48.5
C	4249	76	220	600	0.72	45.0
D	4978	51	223	600	0.67	38.4



ErP Data acc. to Reg. 327/11/CE Performance referred to the best efficiency duty point

Compl. with Reg. 327/11/EC: Tier II (2015)
Overall Efficiency ($\eta_T \times C_c$) [%]: 70.0
Measurement category: B
Efficiency category: Total
Efficiency grade N [%]: 73.1
A variable speed drive is integrated with this fan
Manufactured since: 2021
By: *Regal Beloit Italy S.p.A.*
Via Modena 18
24040 Ciserano - Italy
Power input [kW]: 5.090
Volume flow rate qv [m³/s]: 3.047
Total Pressure [Pa]: 1125
Speed [rpm]: 1915
Specific ratio: 1.011

Information on:
- Disassembly, recycling and disposal at end of life
- Optimal installation, use and maintenance of fans
are freely downloadable from
www.nicotra-gebhardt.com

Testing is carried out with the optional components of the test airway required, according to ISO 5801:2007, for the installation type detailed here on top.

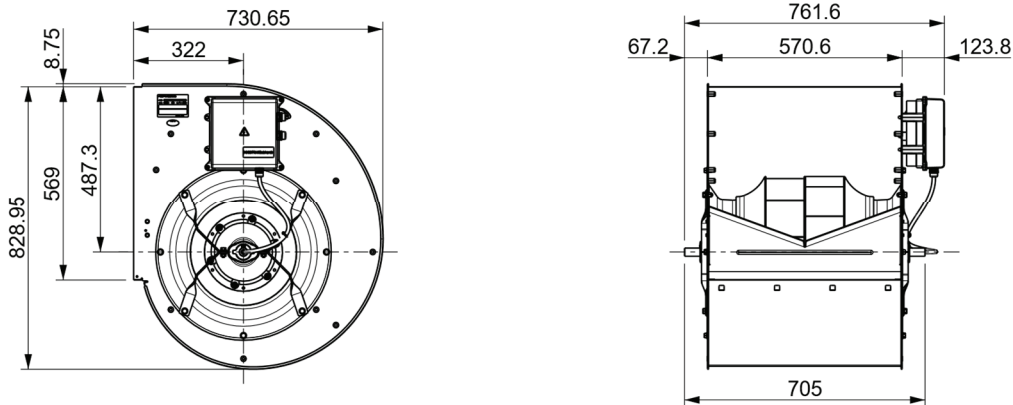
Test nr.: 249-48-47-46-45 Date: 01/2021
Laboratory: Regal Beloit Italy SpA
Test chamber: AMCA-50000

This test data obtained in a laboratory registered by AMCA for AMCA 210/07 air performance testing. Data is not certified by AMCA.

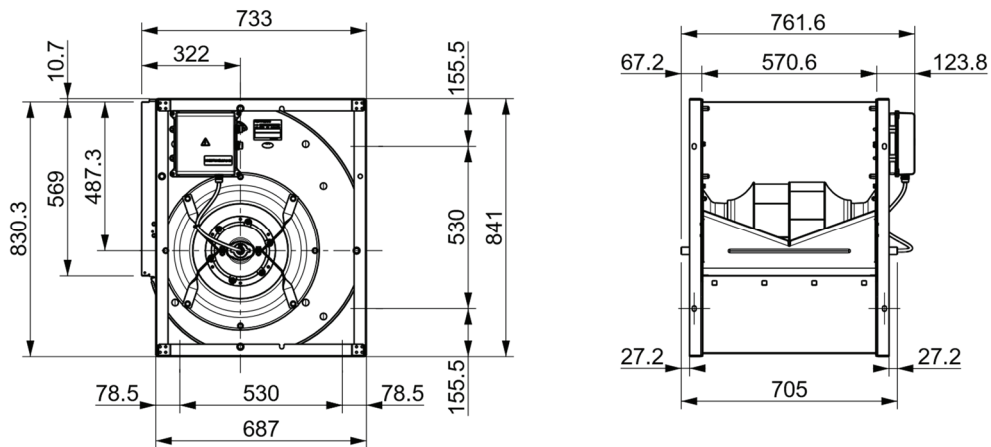
WIRING DIAGRAM			NOISE DATA										
			Working point			Sound power level for inlet side (Lw) in dB							
				m ³ /h		63	125	250	500	1k	2k	4k	8kHz
400 V / 50-60 Hz A 8037 Fan Maximum B 10968 Working C 14968 Limit D 16368			A	8037	88	92	92	89	85	81	77	74	91
			B	10968	94	92	90	90	89	84	76	73	
400 V / 50-60 Hz A 6846 1600 rpm B 8964 C 12692 D 13659			A	6846	87	88	88	82	80	77	75	70	86
			B	8964	83	84	87	82	81	78	71	69	
400 V / 50-60 Hz A 5159 1300 rpm B 7493 C 9741 D 11335			A	5159	82	79	82	76	75	71	67	64	80
			B	7493	76	79	88	82	78	73	66	59	
400 V / 50-60 Hz A 3981 1000 rpm B 5894 C 7363 D 8134			A	3981	77	77	76	72	70	66	62	58	75
			B	5894	75	75	74	76	70	65	60	51	
400 V / 50-60 Hz A 2355 600 rpm B 3334 C 4249 D 4978			A	2355	75	70	67	64	62	58	51	39	67
			B	3334	73	73	69	64	61	56	48	38	
			C	4249	71	71	70	65	62	57	47	46	68
			D	4978	74	72	71	67	63	57	47	45	69

DIMENSIONAL DRAWINGS

6RD0009ZZ0000000 – RDP E0-0450 5.6kW 400V-3F M6L5 DG6



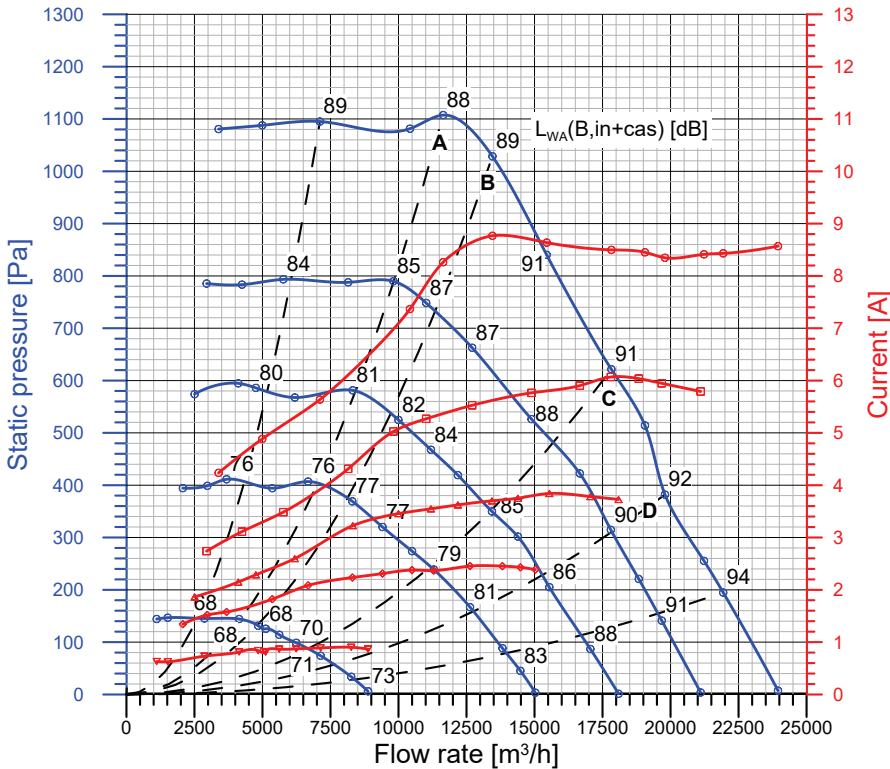
6RD0029ZZ0000000 – RDP E2-0450 5.6kW 400V-3F M6L5 DG6



Power:	5700 W (input, max)	Protection Cl.:	IP 55
Poles:	10	Insulation Cl.:	F
Voltage:	400 V	Thermal prot.:	YES-Integral
Supply:	3~	Temp. Min.:	-20 °C
Frequency:	50-60 Hz	Temp. Max.:	+40(+50) °C
Capacitor:	n.a.	Current Max.:	8.8 A

Performance data referring to:
 Standard air density $\rho = 1.20 \text{ kg / m}^3$
 Installation type "B": free inlet, ducted outlet
 Sound Power Levels shown are
 Inlet-side $L_{WA}(B, in+cas)$, A-weighted, in dBA

**Integral speed-control by
 Integral On-board Driver**



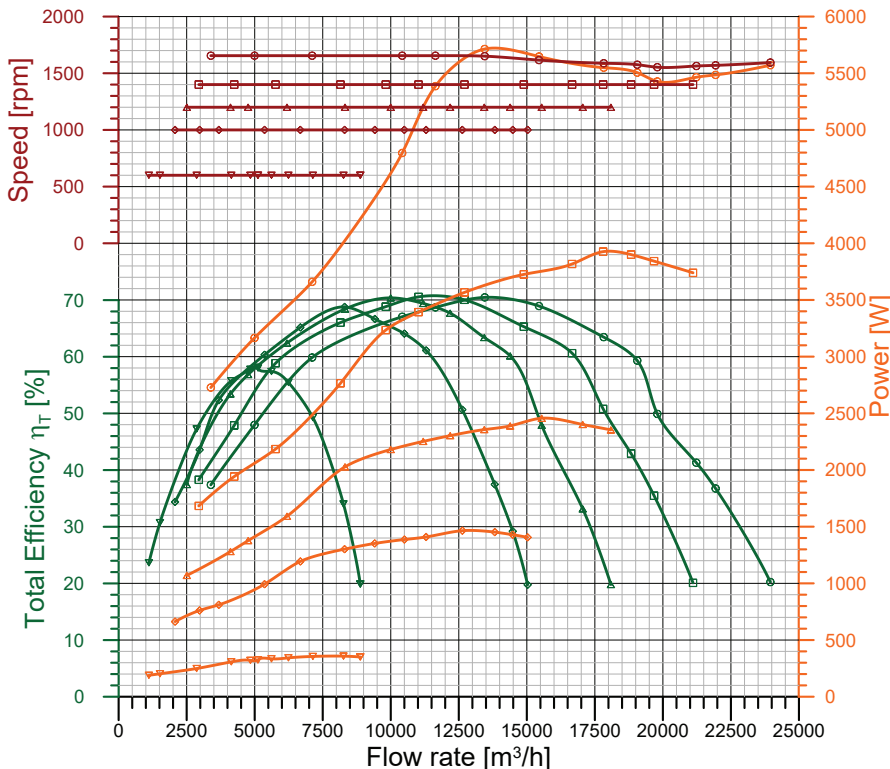
	qv m3/h	pfs Pa	Pe W	n rpm	I A	η_T %
○ Maximum performance curve (10 V)						
A	11641	1107	5386	1655	8.26	68.7
B	13453	1029	5714	1651	8.77	70.5
C	17825	622	5549	1588	8.50	63.5
D	19795	382	5427	1553	8.35	49.9
□ Performance at 1400 rpm						
A	9816	790	3234	1400	5.03	68.8
B	11019	748	3392	1400	5.27	70.6
C	14890	526	3726	1400	5.77	65.3
D	17805	315	3926	1400	6.07	50.8
△ Performance at 1200 rpm						
A	8319	581	2028	1200	3.23	68.4
B	9997	525	2181	1200	3.46	70.4
C	13437	350	2356	1200	3.70	63.4
D	15545	205	2457	1200	3.84	47.9
◇ Performance at 1000 rpm						
A	6678	407	1193	1000	2.09	65.2
B	8303	369	1302	1000	2.24	68.8
C	11299	239	1409	1000	2.37	61.1
D	12631	167	1465	1000	2.45	50.7
▽ Performance at 600 rpm						
A	4141	144	308	600	0.81	55.8
B	4842	131	321	600	0.84	57.8
C	6240	99	343	600	0.87	55.5
D	7137	74	355	600	0.89	49.3

ErP Data acc. to Reg. 327/11/CE
 Performance referred to the best efficiency duty point

Compl. with Reg. 327/11/EC: Tier II (2015)
 Overall Efficiency ($\eta \times C_c$) [%]: 73.0
 Measurement category: B
 Efficiency category: Total
 Efficiency grade N [%]: 75.6
A variable speed drive is integrated with this fan
 Manufactured since: 2021
 By: **Regal Beloit Italy S.p.A.**
 Via Modena 18
 24040 Ciserano - Italy
 Power input [kW]: 5.714
 Volume flow rate qv [m³/s]: 3.737
 Total Pressure [Pa]: 1078
 Speed [rpm]: 1651
 Specific ratio: 1.011

Information on:
 - Disassembly, recycling and disposal at end of life
 - Optimal installation, use and maintenance of fans
 are freely downloadable from
www.nicotra-gebhardt.com

Testing is carried out with the optional components of the test airway required, according to ISO 5801:2007, for the installation type detailed here on top.



Test nr.: 308-07-06-05-04 Date: 01/2021
 Laboratory: Regal Beloit Italy SpA
 Test chamber: AMCA-50000

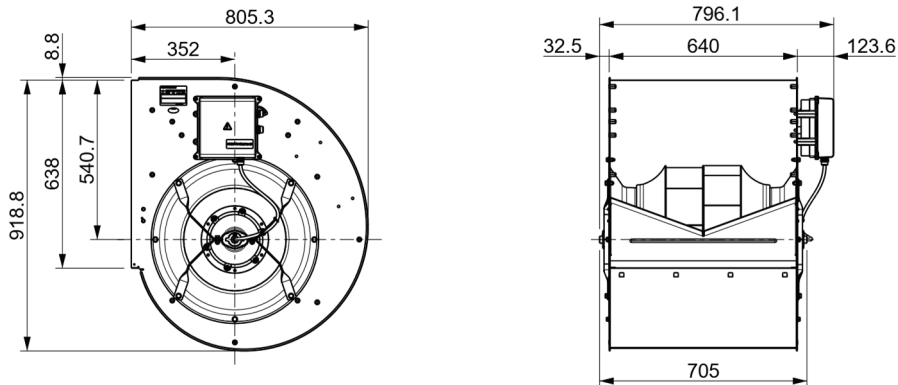
Produced with NG Fan Datasheet Template Ver. B-BC+FC-1.4, on 14/05/2021

This test data obtained in a laboratory registered by AMCA for AMCA 210/07 air performance testing. Data is not certified by AMCA.

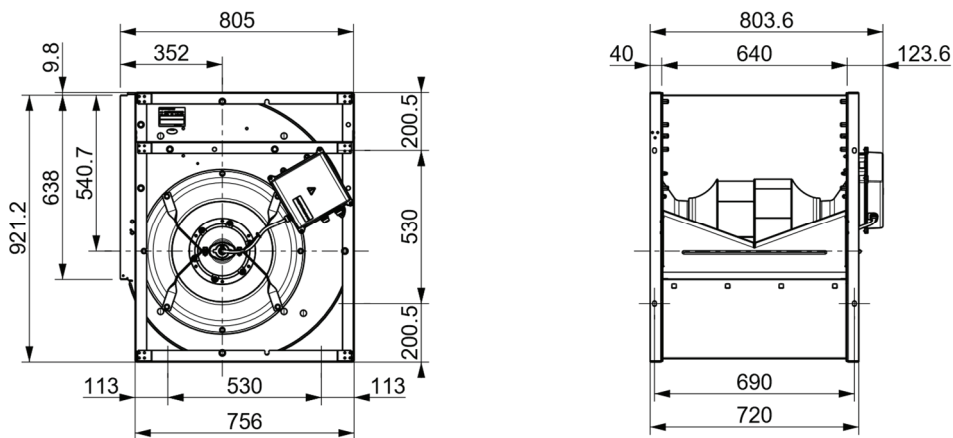
WIRING DIAGRAM			NOISE DATA											
			Working point		Sound power level for inlet side (Lw) in dB									
				m3/h	63	125	250	500	1k	2k	4k	8kHz	LwA	
CONNECTIONS MADE BY THE USER R S T PE TACHO/ALARM/FILTER GND MODBUS - B MODBUS - A GND TRANSDUCER INPUT ANALOG INPUT ENABLE +10V +24V CONNECTIONS MADE BY Nicotra Gebhardt YELLOW GREEN GREY BROWN BLACK C INO			400 V / 50-60 Hz	A	11641	89	90	90	84	82	78	73	69	88
			Fan Maximum	B	13453	89	88	91	85	84	79	73	69	
Working Limit			C	17825	87	89	93	87	86	82	75	68		91
			D	19795	95	92	91	89	88	85	78	71		
400 V / 50-60 Hz 1400 rpm			A	9816	86	83	90	79	78	74	69	68		85
			B	11019	86	86	91	82	82	78	71	69		
400 V / 50-60 Hz 1200 rpm			C	14890	86	85	88	84	83	80	72	67		88
			D	17805	88	89	91	86	85	82	75	68		
400 V / 50-60 Hz 1000 rpm			A	8319	78	80	84	79	74	69	65	63		81
			B	9997	78	81	87	79	75	71	65	62		
400 V / 50-60 Hz 600 rpm			C	13437	78	81	90	82	78	74	66	62		85
			D	15545	81	85	86	85	81	77	70	63		
400 V / 50-60 Hz 1000 rpm			A	6678	78	80	81	73	69	65	61	57		76
			B	8303	77	79	81	75	70	66	60	52		
400 V / 50-60 Hz 600 rpm			C	11299	78	79	79	78	74	69	61	51		79
			D	12631	80	81	82	80	76	72	64	53		
400 V / 50-60 Hz 600 rpm			A	4141	72	76	68	66	62	56	50	38		68
			B	4842	71	77	69	66	62	56	47	38		
C INO			C	6240	73	79	71	68	63	57	48	43		70
			D	7137	72	80	70	70	64	58	49	43		

DIMENSIONAL DRAWINGS

6RD000AZZ0000000 - RDP E0-0500 5.7kW 400V-3F M6L6 DG6



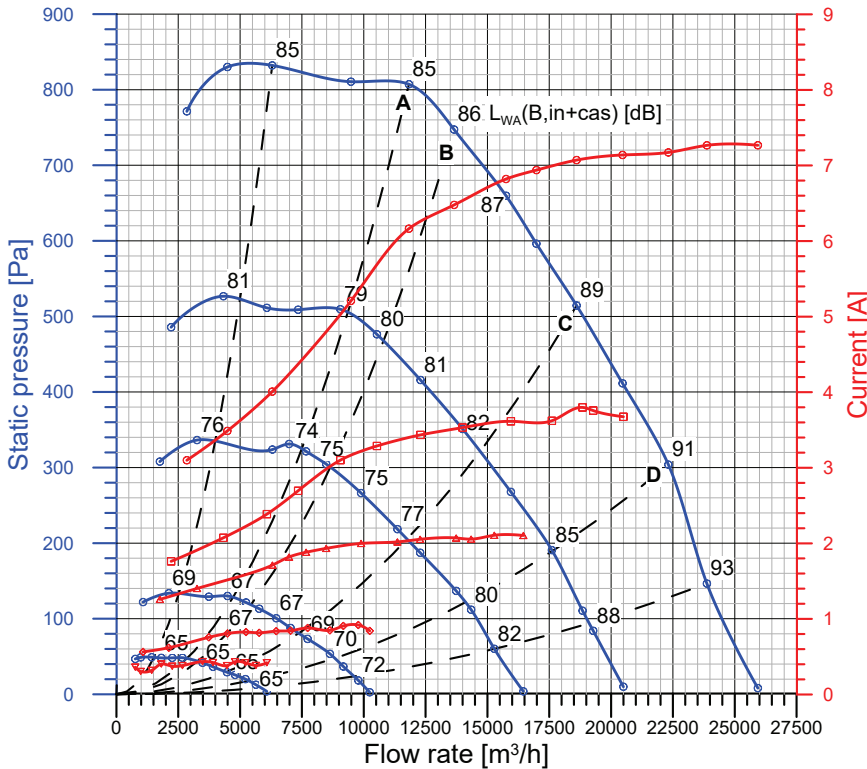
6RD002AZZ00000000 - RDP E2-0500 5.7kW 400V-3F M6L6 DG6



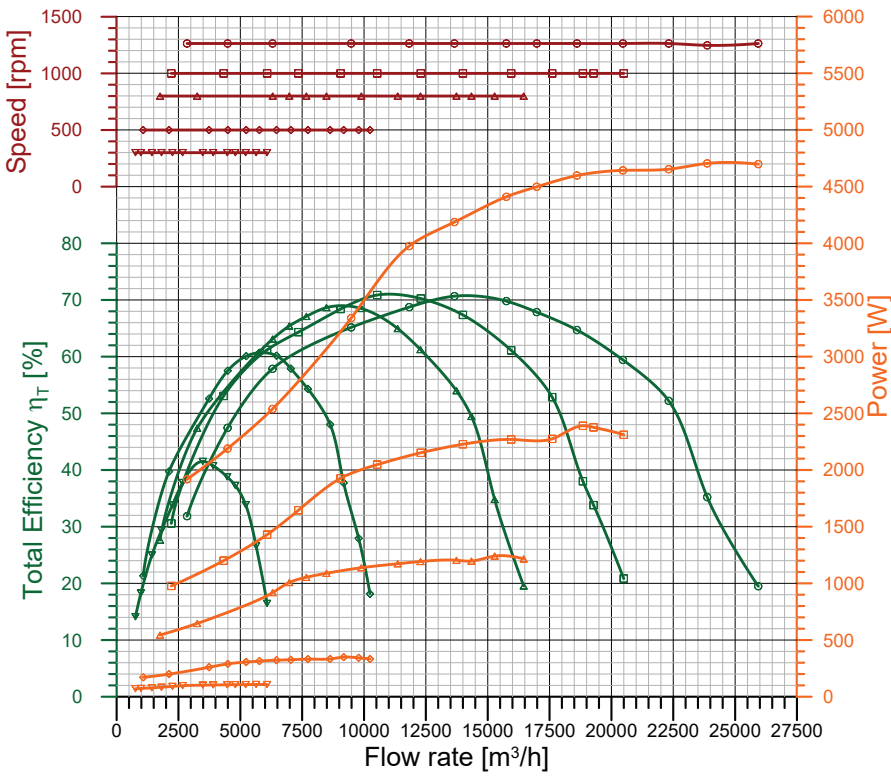
Power:	4700 W (input, max)	Protection Cl.:	IP 55
Poles:	10	Insulation Cl.:	F
Voltage:	400 V	Thermal prot.:	YES-Integral
Supply:	3~	Temp. Min.:	-20 °C
Frequency:	50-60 Hz	Temp. Max.:	+40(+50) °C
Capacitor:	n.a.	Current Max.:	7.3 A

Performance data referring to:
 Standard air density $\rho = 1.20 \text{ kg/m}^3$
 Installation type "B": free inlet, ducted outlet
 Sound Power Levels shown are
 Inlet-side $L_{WA}(B, in+cas)$, A-weighted, in dBA

**Integral speed-control by
 Integral On-board Driver**



	qv m³/h	pfs Pa	Pe W	n rpm	I A	η_T %
○ Maximum performance curve (10 V)						
A	11827	807	3975	1264	6.16	68.7
B	13654	747	4187	1264	6.48	70.7
C	18607	514	4598	1264	7.07	64.7
D	22317	304	4653	1264	7.17	52.2
□ Performance at 1000 rpm						
A	9054	509	1927	1000	3.10	68.4
B	10532	476	2048	1000	3.29	70.9
C	13997	351	2227	1000	3.53	67.4
D	17606	191	2275	1000	3.62	52.9
△ Performance at 800 rpm						
A	7670	321	1054	800	1.88	67.1
B	8482	305	1089	800	1.93	68.7
C	11361	218	1173	800	2.02	65.0
D	14342	112	1197	800	2.06	49.5
◇ Performance at 500 rpm						
A	4491	130	290	500	0.81	57.5
B	5240	121	306	500	0.83	60.1
C	7041	88	326	500	0.84	57.9
D	8632	54	333	500	0.85	48.0
▽ Performance at 300 rpm						
A	2668	48	97	300	0.38	37.8
B	3483	42	102	300	0.44	41.5
C	4471	29	105	300	0.38	38.8
D	5217	20	107	300	0.42	33.9



ErP Data acc. to Reg. 327/11/CE
 Performance referred to the best efficiency duty point

Compl. with Reg. 327/11/EC: Tier II (2015)
 Overall Efficiency ($\eta_x Cc$) [%]: 73.9
 Measurement category: B
 Efficiency category: Total
 Efficiency grade N [%]: 77.9
 A variable speed drive is integrated with this fan
 Manufactured since: 2021
 By: *Regal Beloit Italy S.p.A.*
Via Modena 18
24040 Ciserano - Italy
 Power input [kW]: 4.187
 Volume flow rate qv [m³/s]: 3.793
 Total Pressure [Pa]: 780
 Speed [rpm]: 1264
 Specific ratio: 1.008

Information on:
 - Disassembly, recycling and disposal at end of life
 - Optimal installation, use and maintenance of fans
 are freely downloadable from
www.nicotra-gebhardt.com

Testing is carried out with the optional components of the test airway required, according to ISO 5801:2007, for the installation type detailed here on top.

Test nr.: 284-83-82-81-80 Date: 01/2021
 Laboratory: Regal Beloit Italy SpA
 Test chamber: AMCA-50000

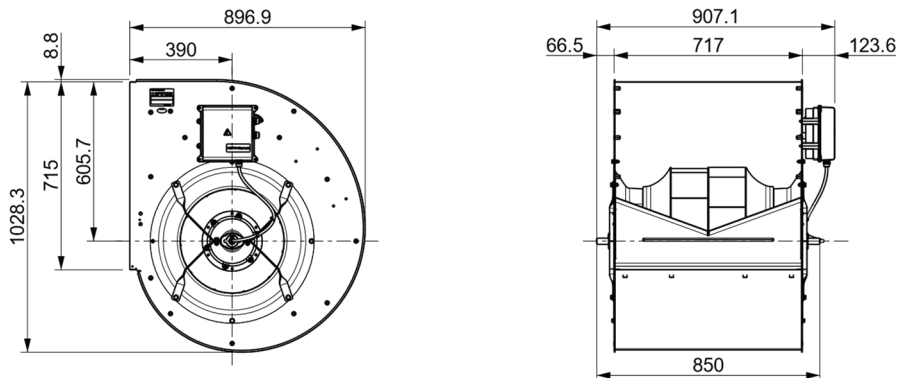
Produced with NG Fan Datasheet Template Ver. B-BC+FC-1.4, on 14/05/2021

This test data obtained in a laboratory registered by AMCA for AMCA 210/07 air performance testing. Data is not certified by AMCA.

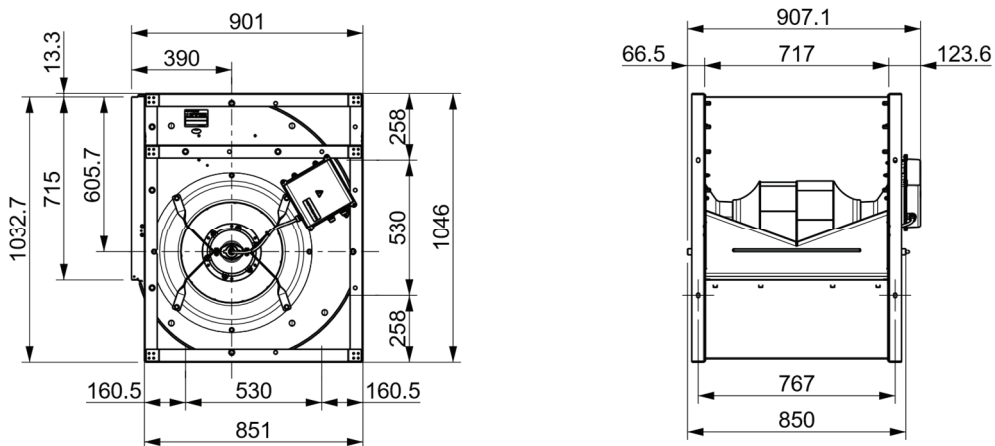
WIRING DIAGRAM		NOISE DATA										
		Working point		Sound power level for inlet side (Lw) in dB								
				m ³ /h	63	125	250	500	1k	2k	4k	8kHz
<p>400 V / 50-60 Hz</p> <p>Fan Maximum</p> <p>Working</p> <p>Limit</p>		A	11827	83	85	86	81	79	77	70	71	85
		B	13654	83	85	84	83	81	79	70	70	86
<p>400 V / 50-60 Hz</p> <p>1000 rpm</p>		C	18607	84	87	89	86	84	82	72	70	89
		D	22317	85	89	92	88	86	83	74	71	91
<p>400 V / 50-60 Hz</p> <p>800 rpm</p>		A	9054	78	80	77	77	74	70	65	66	79
		B	10532	79	80	80	77	74	70	64	66	80
<p>400 V / 50-60 Hz</p> <p>300 rpm</p>		C	13997	80	82	84	80	77	73	64	66	82
		D	17606	79	85	87	84	80	75	67	66	85
<p>400 V / 50-60 Hz</p> <p>500 rpm</p>		A	7670	75	83	75	70	68	65	59	54	74
		B	8482	77	79	79	70	69	65	58	54	75
<p>400 V / 50-60 Hz</p> <p>300 rpm</p>		C	11361	75	84	78	73	71	67	57	50	77
		D	14342	78	86	82	77	74	70	61	55	80
<p>400 V / 50-60 Hz</p> <p>500 rpm</p>		A	4491	73	75	66	64	62	56	51	42	67
		B	5240	72	73	67	65	62	56	46	41	67
<p>400 V / 50-60 Hz</p> <p>300 rpm</p>		C	7041	75	77	68	65	63	56	47	51	68
		D	8632	76	76	72	66	65	58	48	50	70
<p>400 V / 50-60 Hz</p> <p>300 rpm</p>		A	2668	76	70	66	62	61	56	47	41	65
		B	3483	75	71	66	61	59	54	46	51	65
<p>400 V / 50-60 Hz</p> <p>300 rpm</p>		C	4471	74	73	67	62	59	53	46	51	65
		D	5217	74	70	66	62	60	54	46	51	65

DIMENSIONAL DRAWINGS

6RD000BZZ0000000 - RDP E0-0560 4.7kW 400V-3F M6L7 DG6



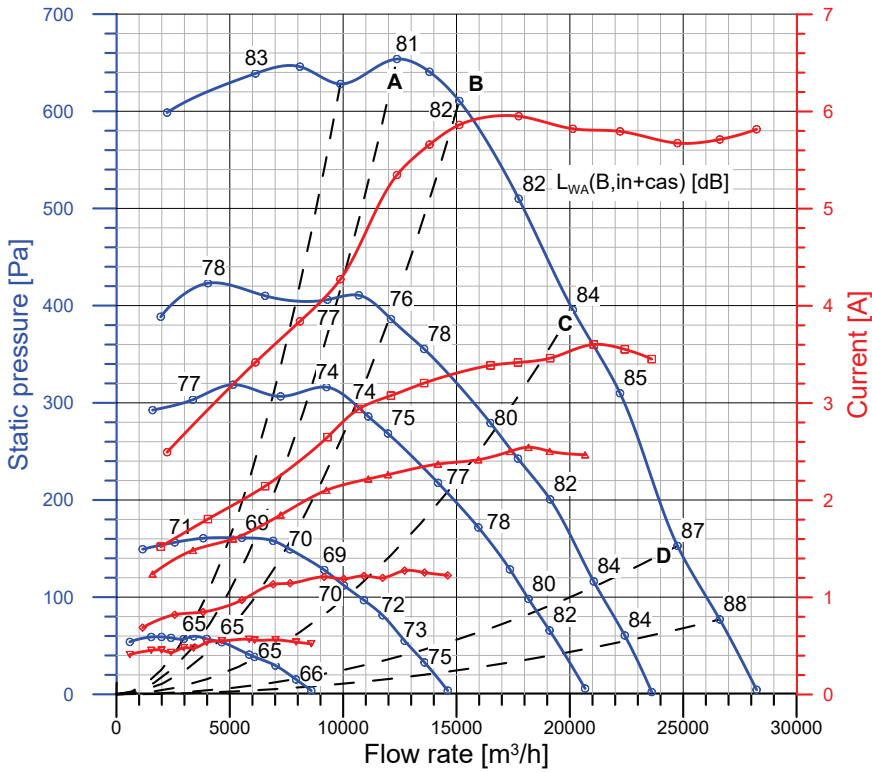
6RD002BZZ0000000 - RDP E2-0560 4.7kW 400V-3F M6L7 DG6



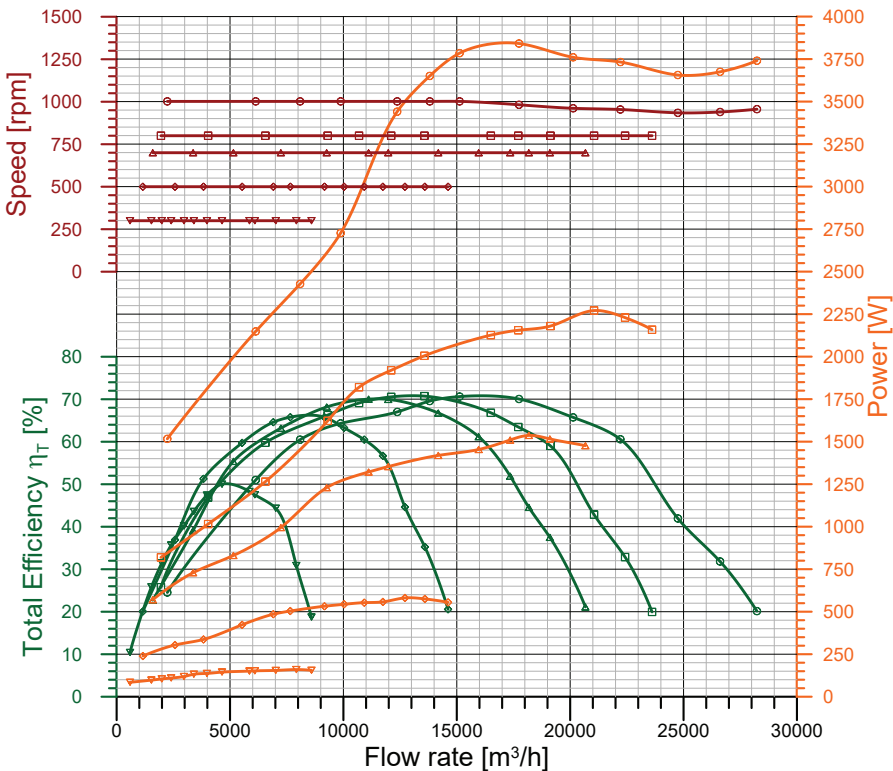
Power:	3840 W (input, max)	Protection Cl.:	IP 55
Poles:	10	Insulation Cl.:	F
Voltage:	400 V	Thermal prot.:	YES-Integral
Supply:	3~	Temp. Min.:	-20 °C
Frequency:	50-60 Hz	Temp. Max.:	+40(+50) °C
Capacitor:	n.a.	Current Max.:	6.0 A

Performance data referring to:
 Standard air density $\rho = 1.20 \text{ kg/m}^3$
 Installation type "B": free inlet, ducted outlet
 Sound Power Levels shown are
 Inlet-side $L_{WA}(B, in+cas)$, A-weighted, in dBA

**Integral speed-control by
 Integral On-board Driver**



	qv m³/h	pfs Pa	Pe W	n rpm	I A	η_T %
○ Maximum performance curve (10 V)						
A	12373	654	3441	1002	5.35	67.0
B	15124	611	3785	1002	5.86	70.6
C	20131	396	3760	961	5.82	65.7
D	24749	153	3656	935	5.67	41.9
□ Performance at 800 rpm						
A	9308	406	1623	800	2.65	66.3
B	12107	386	1920	800	3.08	70.6
C	16501	279	2126	800	3.39	66.8
D	21053	116	2271	800	3.60	42.8
△ Performance at 700 rpm						
A	9263	316	1230	700	2.10	68.2
B	11110	286	1322	700	2.22	70.0
C	14183	218	1419	700	2.37	66.8
D	18177	98	1537	700	2.54	44.6
◇ Performance at 500 rpm						
A	5533	161	423	500	0.97	59.7
B	7660	149	504	500	1.14	65.8
C	10030	112	544	500	1.19	63.3
D	12713	55	581	500	1.28	44.6
▽ Performance at 300 rpm						
A	3405	60	132	300	0.48	43.6
B	4647	54	145	300	0.55	50.0
C	5856	41	151	300	0.57	48.3
D	7017	30	155	300	0.56	44.3



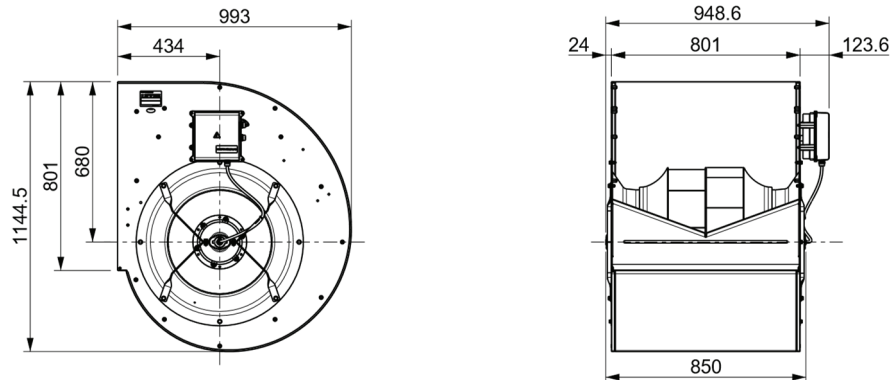
ErP Data acc. to Reg. 327/11/CE
 Performance referred to the best efficiency duty point

Compl. with Reg. 327/11/EC: Tier II (2015)
 Overall Efficiency ($\eta \times C_c$) [%]: 74.0
 Measurement category: B
 Efficiency category: Total
 Efficiency grade N [%]: 78.4
A variable speed drive is integrated with this fan
 Manufactured since: 2021
 By: **Regal Beloit Italy S.p.A.**
 Via Modena 18
 24040 Ciserano - Italy
 Power input [kW]: 3.785
 Volume flow rate qv [m³/s]: 4.201
 Total Pressure [Pa]: 636
 Speed [rpm]: 1002
 Specific ratio: 1.006
 Information on:
 - Disassembly, recycling and disposal at end of life
 - Optimal installation, use and maintenance of fans
 are freely downloadable from
www.nicotra-gebhardt.com
 Testing is carried out with the optional
 components of the test airway required,
 according to ISO 5801:2007, for the
 installation type detailed here on top.

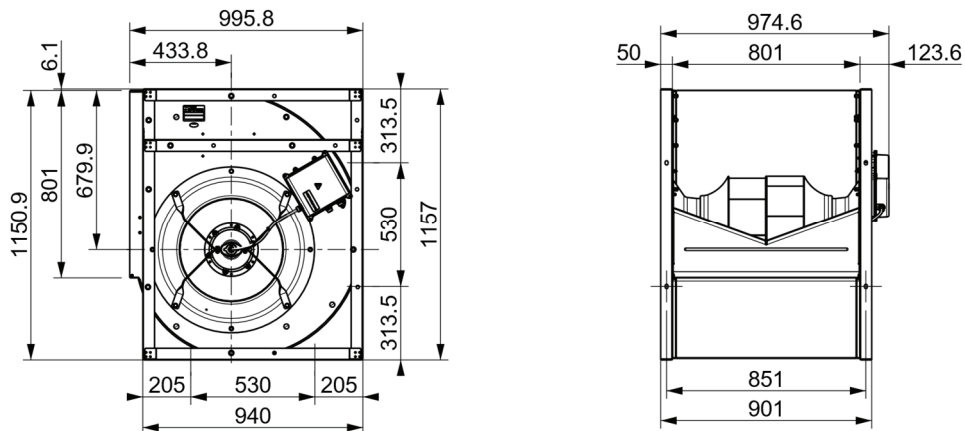
WIRING DIAGRAM		NOISE DATA										
		Working point		Sound power level for inlet side (L _w) in dB								
			m ³ /h	63	125	250	500	1k	2k	4k	8kHz	L _{wA}
400 V / 50-60 Hz	A	12373	86	86	84	78	76	71	66	61	81	
	Fan Maximum	B	15124	81	83	83	80	77	71	66	60	82
	Working	C	20131	82	83	83	83	79	74	67	61	84
	Limit	D	24749	87	91	88	84	83	77	72	65	87
400 V / 50-60 Hz	A	9308	82	83	79	74	71	65	61	54	77	
	800 rpm	B	12107	76	81	77	73	71	65	61	53	76
	C	16501	78	89	80	77	73	68	61	54	80	
	D	21053	83	94	85	80	78	73	67	60	84	
400 V / 50-60 Hz	A	9263	76	79	74	71	68	62	58	51	74	
	700 rpm	B	11110	76	80	77	72	68	62	57	50	74
	C	14183	76	83	79	74	71	65	57	49	77	
	D	18177	78	89	82	77	75	69	63	57	80	
400 V / 50-60 Hz	A	5533	75	74	68	68	62	56	53	40	69	
	500 rpm	B	7660	75	80	68	69	62	56	48	39	70
	C	10030	76	80	70	69	62	56	50	54	70	
	D	12713	78	84	74	71	66	60	53	54	73	
400 V / 50-60 Hz	A	3405	73	70	67	61	58	52	44	37	64	
	300 rpm	B	4647	72	70	69	60	58	52	44	37	65
	C	5856	72	71	69	61	58	52	48	54	65	
	D	7017	72	71	69	61	58	53	48	54	65	

DIMENSIONAL DRAWINGS

6RD000CZZ0000000 - RDP E0-2 3.8kW 400V-3F M6L8 DG6



6RD002CZZ00000000 - RDP E2-0630 3.8kW 400V-3F M6L8 DG6



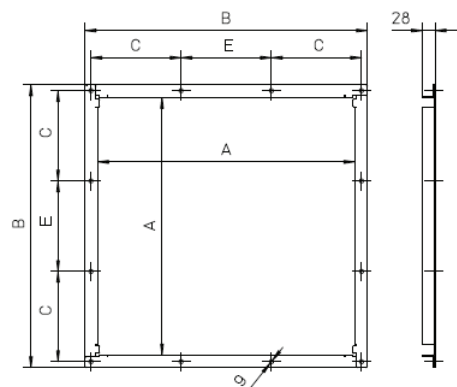
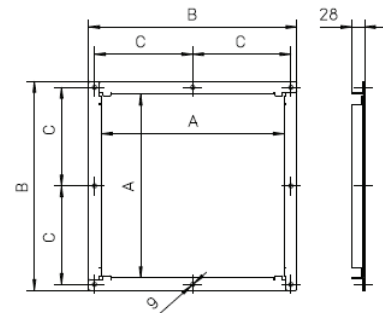
Mounting accessories for RDP Fans

Outlet flanges

Outlet flanges made of galvanized steel are available either as factory-installed option, or as an accessory.

Fan Size	P/No.	A	B	C
160	RE60000ZZ0000000	205	261	117.5
180	RE60001ZZ0000000	229	285	129.5
200	RE60002ZZ0000000	256	312	143
225	RE60003ZZ0000000	288	344	159
250	RE60004ZZ0000000	322	378	176
280	RE60005ZZ0000000	361	417	195.5
315	RE60006ZZ0000000	404	460	217
355	RE60007ZZ0000000	453	509	241.5

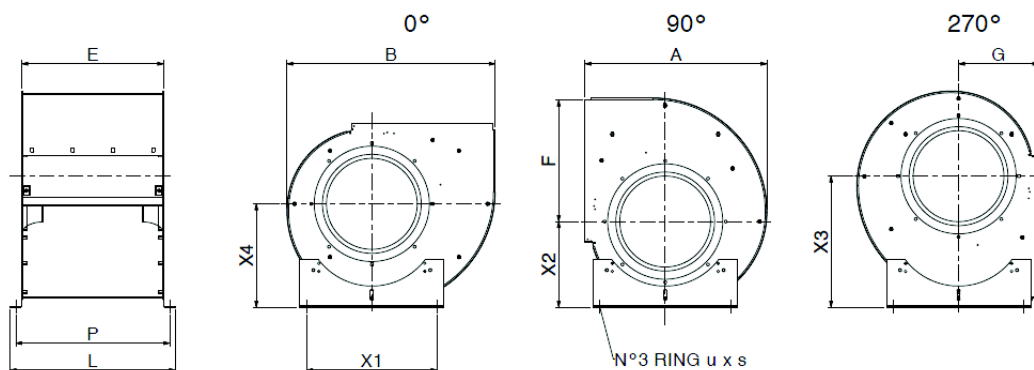
Fan Size	P/No.	A	B	C	E
400	RE60008ZZ0000000	507	563	168.5	200
450	RE60009ZZ0000000	569	625	199.5	200
500	RE6000AZZ0000000	638	694	209	250
560	RE6000BZZ0000000	715	771	247.5	250
630	RE6000CZZ0000000	801	857	265.5	300



Warning: the outlet flanges are not intended to sustain the weight of the fan.

Mounting feet (kit)

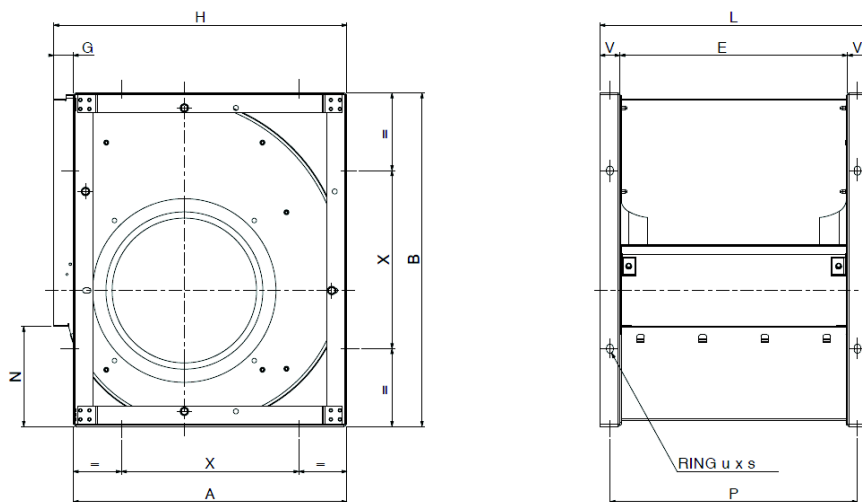
A kit of mounting feet includes two mounting feet made of galvanized steel plate, the fasteners required for attachment and four rubber vibration-dampers.



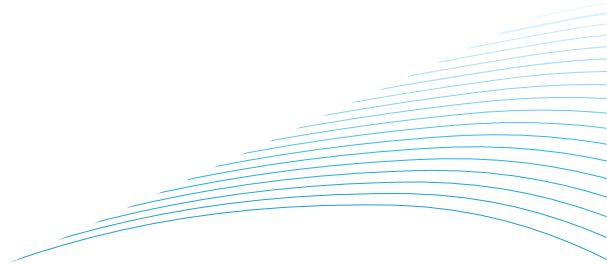
Fan Size	P/No.	A	B	F	G	E	P	L	X1	X2	X3	X4	u x s
160	RE80000ZZ00000000	290	309	173	141	207	237	267	180	153	207	153	11x16
180		319	344	195	154	231	261	291	180	167	227	167	11x16
200	RE80002ZZ00000000	348	379	215	163	258	288	318	224	186	250	189	11x16
225		389	422	241	182	290	320	350	224	202	279	209	11x16
250	RE80005ZZ00000000	423	467	268	195	324	354	384	224	215	304	232	11x16
280		471	524	302	215	363	393	423	280	242	337	261	11x16
315	RE80007ZZ00000000	522	586	338	236	406	436	466	280	267	376	289	11x16
355		583	658	383	261	455	495	535	355	281	418	327	11x16
400	RE80008ZZ00000000	654	745	432	290	509	549	589	355	309	469	366	11x16
450	RE80009ZZ00000000	731	837	487	322	571	621	667	530	344	526	415	13x18
500		805	928	541	352	640	690	736	530	383	576	456	13x18
560		897	1037	606	390	717	767	813	530	425	643	511	13x18
630		993	1144	680	434	801	851	897	530	477	716	580	13x18

Side-frames (kit)

A kit of rectangular side-frames, made of galvanized steel plate, can be provided to convert an RDP E0 fan model into an RDP-E2 model. The kit includes two frames and the fasteners required for attachment.



Fan Size	P/No.	A	B	E	G	H	L	N	P	V	X	u x s
160	RE81000ZZ00000000	263	311	207	28	291	247	97	231	20	180	9x14
180	RE81001ZZ00000000	290	346	231	30	320	271	110	255	20	180	9x14
200	RE81002ZZ00000000	312	379	258	36	348	308	114	288	25	224	11x16
225	RE81003ZZ00000000	351	425	290	39	390	340	128	320	25	224	11x16
250	RE81004ZZ00000000	386	470	324	39	425	374	139	354	25	224	11x16
280	RE81005ZZ00000000	435	526	363	37	472	423	156	393	30	280	13x18
315	RE81006ZZ00000000	486	588	406	38	524	466	175	436	30	280	13x18
355	RE81007ZZ00000000	547	665	455	39	586	535	202	495	40	355	13x18
400	RE81008ZZ00000000	614	750	509	43	657	589	232	549	40	355	13x18
450	RE81009ZZ00000000	687	841	571	46	733	651	259	621	40	530	13x18
500	RE8100AZZ00000000	756	931	640	51	807	720	281	690	40	530	13x18
560	RE8100BZZ00000000	851	1046	717	50	901	817	317	767	50	530	13x18
630	RH8100CZZ00000000	940	1157	801	56	996	901	350	851	50	530	13x18



NICOTRA|Gebhardt®

Nicotra Gebhardt Germany

Nicotra Gebhardt GmbH
Gebhardtstraße 19-25
74638 Waldenburg (Germany)
Phone +49 7942 1010
Fax +49 7942 101 170
E-Mail info.ng.de@regalbeloit.com
Web www.nicotra-gebhardt.com

Nicotra Gebhardt Italy

Regal Beloit Italy S.p.A.
Via Modena, 18
24040 Zingonia (BG) (Italy)
Phone +39 035 873 111
Fax +39 035 884 319
E-mail info.ng.it@regalbeloit.com
Web www.nicotra-gebhardt.com

APPLICATION CONSIDERATIONS

The proper selection and application of products and components, including the related area of product safety, is the responsibility of the customer. Operating and performance requirements and potential associated issues will vary appreciably depending upon the use and application of such products and components. The scope of the technical and application information included in this publication is necessarily limited. Unusual operating environments and conditions, lubrication requirements, loading supports, and other factors can materially affect the application and operating results of the products and components and the customer should carefully review its requirements. Any technical advice or review furnished by Regal Beloit America, Inc. and/or its affiliates ("Regal") with respect to the use of products and components is given in good faith and without charge, and Regal assumes no obligation or liability for the advice given, or results obtained, all such advice and review being given and accepted at customer's risk.

For a copy of our Standard Terms and Conditions of Sale, please visit <https://www.regalbeloit.com/Terms-and-Conditions-of-Sale>. These terms and conditions of sale, disclaimers and limitations of liability apply to any person who may buy, acquire or use a Regal product referred to herein, including any person who buys from a licensed distributor of these branded products.

Regal, Nicotra Gebhardt and RLM Evo are trademarks of Regal Beloit Corporation or one of its affiliated companies.

©2019 Regal Beloit Corporation, All Rights Reserved.

