

DDMP

COMPACT EFFICIENCY

DDMP 1KW/2 KW SINGLE-PHASE

CATALOGUE 2021

DDMP Catalogue Package: assembled 2021-03-25
DDMP 1-Ph Catalogue Ed.3.0 - 2021-03-25
DDMP 3-Ph Catalogue Ed.2.0 - 2021-03-24
DDMP Small-Metric Catalogue Ed.2.0 - 2021-03-24

REGAL®

Time is money - with the new DDMP you save year after year

Affordable EC Technology for Compact Fans

The DDM range from Nicotra Gebhardt brought the aerodynamic efficiency of the double-inlet, forward-curved direct-driven fan to an unprecedented optimum, thanks to the combination of the highly-efficient scroll and impeller design with a motor installation concept, which reduces to a minimum the negative interference of the motor on the fan aerodynamic efficiency.

The new DDMP adds the Energy-efficient EC technology and a new smart motor controller to the aerodynamic efficiency of the DDM, creating a radically new compact fan, ideal for application wherever space is at a premium.

Why Forward-Curved Fans for 2020 and beyond

The introduction of the high-efficiency EC drive system brought fans designed for HVAC applications, to efficiency levels that would have, only a few years ago, been impossible using induction motors. Nevertheless, for many years such drive systems have been available only for a limited variety of fans, mostly of the backward-curved type.

It is widely known that under the same working conditions, backward-curved fans can achieve optimum efficiency levels much higher than those reached by the forward-curved design. Nevertheless, designers are fully aware that, in a large number of applications, especially in HVAC equipment installed indoors, the constraints from the available space mean that backward-curved fans often under-perform in terms of efficiency and quietness.

Forward-curved fans are the solution here: their smaller size, for a given duty, in comparison to backward-curved fans with or without scroll, allow for a better sizing of the fan where available space in the application is limited.

So far, the unavailability of a high-efficiency drive system on forward-curved fans has been a major setback.

The Nicotra-Gebhardt DDMP range now opens-up a new freedom to choose the most appropriate fan geometry, for each application, without compromising the efficiency of the fan drive system.

Low-Noise Solution

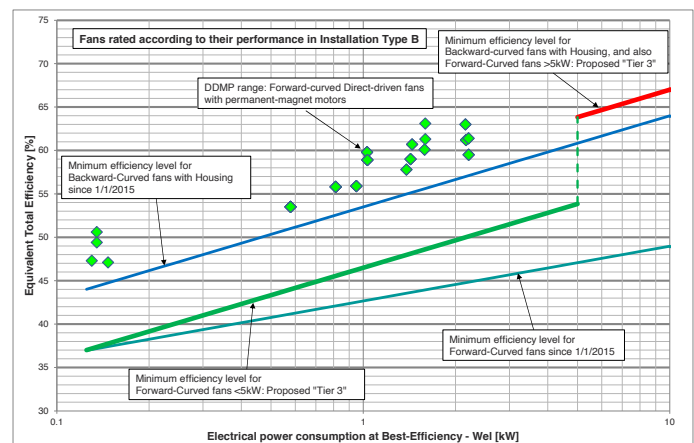
In addition to their compact design, forward-curved fans are better suited where fan noise is critical. The sound power generated by forward-curved fans is mostly made up by medium and high-frequency noise, providing better sound quality at source, and easier attenuation with acoustic linings and silencers. Passive silencers can be both more effective and smaller, in comparison with the arrangement which is needed to achieve the same attenuation with the typical acoustic pattern of a backward-curved fan.

The new DDMP design, with an improved shape and a smaller motor, further increases the advantage of the forward-curved fans in acoustically-critical installations, by streamlining the flow-path, and reducing turbulence and noise generation.

ERP Compliance for the Future

The Nicotra Gebhardt DDMP direct-driven centrifugal fans significantly exceed the strict minimum efficiency limits, set by the European ErP Directive and its related regulation for 2015. The DDMP efficiency is so high that it exceeds the minimum efficiency levels proposed for forward-curved fans, in the next third tier and actually aligns with the target levels proposed for backward-curved fans in the same tier.

The high-efficiency of the DDMP is retained even when the fan is operating at part-load, helping air-conditioner and heat-pump designers to achieve aggressive targets in terms of seasonally-averaged consumption figures, whether SEER or SCOP.



Low-Cost of Ownership

The DDMP is conceived to reduce all five contributors to the life-cycle cost of a fan:

Purchase cost:

- the DDMP fan is engineered for fast-rate and cost-effective series production.

Installation cost:

- the one-piece functional unit does not need connection and configuration to be operated, out-of-the-box, in its basic operation mode: it's a plug-and-play drop-in unit;
- the different advanced operational modes can be configured on the same standard fan, with a simple computer program and a connection cable, providing design flexibility without having to stock many different variants of the same fan.

Maintenance cost:

- with its high performance, DDMP is an alternative to belt-driven fans, effectively removing the cost of any periodical belt maintenance;
- the electronic control unit, which is the most critical component for the operating life of an EC fan, is designed to be a line-replaceable unit, considerably extending the operational life of the fan without extensive reworking.

Energy cost:

- the DDMP typically halves the power consumption, in comparison with old-technology solutions.

Disposal cost:

- the DDMP is built with minimum usage of non-recyclable materials.

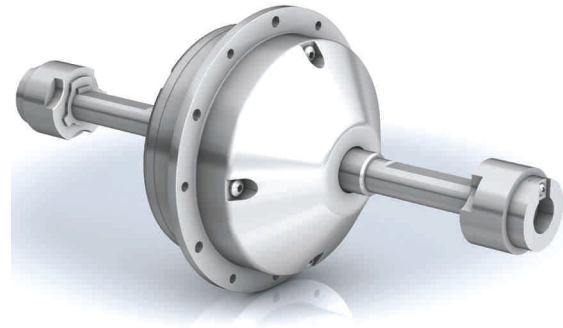
Advanced Motor Technology

The DDMP drive system is built around a new series of external-rotor, permanent-magnet motors, specifically designed for integration within double-inlet fans.

The use of high intensity neodymium magnets allows both an improvement of the energy efficiency of the motor, over more common permanent-magnet motors using ferrites, and a reduction in size.

Thanks to this revolutionary choice, and to a careful design, the new Nicotra Gebhardt PM motors achieve IE5 efficiency levels.

The increased compactness of these new motors leads to a new streamlined motor shape design, further reducing the interference created by fitting the motor inside the fan.



By design, these drive systems are insensitive to the frequency of the power supply, so the DDMP single-phase fans are suitable for operation with any power network at 50 or 60 Hz frequency, in the 220-240 V nominal voltage range.

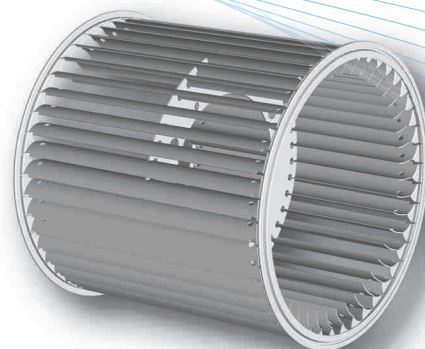
Advanced Manufacturing Technology

The manufacturing technology used for production of the DDMP fans is specifically conceived to provide consistent quality across a large production run.

The DDMP scrolls are manufactured on automatic assembly stations, from pressed and rolled components made of galvanised steel plate, according to a patented process.

The high-efficiency impellers are also manufactured from galvanised-steel parts, on automatic and dedicated, purpose-built machinery.

Each fan is configured, test-run and balanced at the end of the assembly line.



Smart EC Motor Controllers

The motor controllers or “drivers”, fitted to the DDMP fans, are currently two single-phase units, of either 1 kW or 2 kW nominal input power, both incorporating an advanced active input stage, providing power factor control (power factor is continuously adjusted to unity).

This design also provide harmonics filtering to guarantee compliance with the EMC requirements applicable to domestic and equivalent environments (“first environment”), or with the advanced requirements for harmonic distortion which apply to data centres.

These drive systems comply with C1-class levels for power-drive systems, according to EN 61800-3, throughout the range of EMC requirements, and also with the more demanding immunity requirements for industrial environments, according to EN 61000-6-2.

All these driver units have been designed with sensorless technology, to simplify their architecture and increase their operational reliability.

New three-phase additional models are covered by a separate catalogue.

The DDMP drivers are factory-configured to operate in their simpler operating mode, i.e. with continuous speed control, having the fan speed proportional to an analogue input signal (0-10 Vdc or PWM).

The drivers incorporate advanced protection features, preventing the user from exceeding the safety limits of the driver and the motor. If the combination of the air system configuration and the speed demand from the user bring the fan to exceed one or more of the limits, which are set for input power, motor torque, or operating temperature of the electronics, then the fan speed and power requirement is automatically restricted, to bring-back the fan within safe operating conditions.

The performance diagrams of the different DDMP fan models, under standard laboratory conditions, as shown in this catalogue, already account for this automatic restriction of the fan performance according to power and torque limits.

If the software protection features should not be enough, a thermo-switch is fitted inside all motors, to stop the drive-system, preventing any permanent damage from overloading and overheating.

This control mode can compensate a change of the pressure-loss in the air system, e.g. because it was not exactly known at the time of choosing a ventilation unit, or because some filter clogging occurs during the operation of the system.

The target value of the volume flow rate can be assigned in three different ways:

- A. can be set via the analogue input,
- B. can be permanently stored in an Eprom register, via Modbus interface (a kind of “write and forget” mode), or
- C. can be written in a volatile register, via Modbus again, when continuous adjustment of the target level is required.

The difference between modes B and C is that a register in the Eprom memory of the driver can be written only a large but limited number of times; on the other side, the value stored in the Eprom register is preserved even if the fan driver is powered-off. This approach should be preferred when the fan has to be configured for a given performance level, at the time of commissioning, and then left working without further adjustment.

The Modbus link is then no longer needed for operation, but may still be useful, at a later stage, for fan troubleshooting or re-configuration.

In comparison, the volatile register of the micro-processor in the driver, used in interface mode C, can be written an infinite number of times, so this is the approach of choice when the target value has to be continuously adjusted via Modbus, having the drawback that its value must be re-assigned whenever the fan is started again after having been powered-off.

Advanced Operating Modes

The smart drivers can provide advanced functions, extending way beyond the simple speed control and safety monitoring.

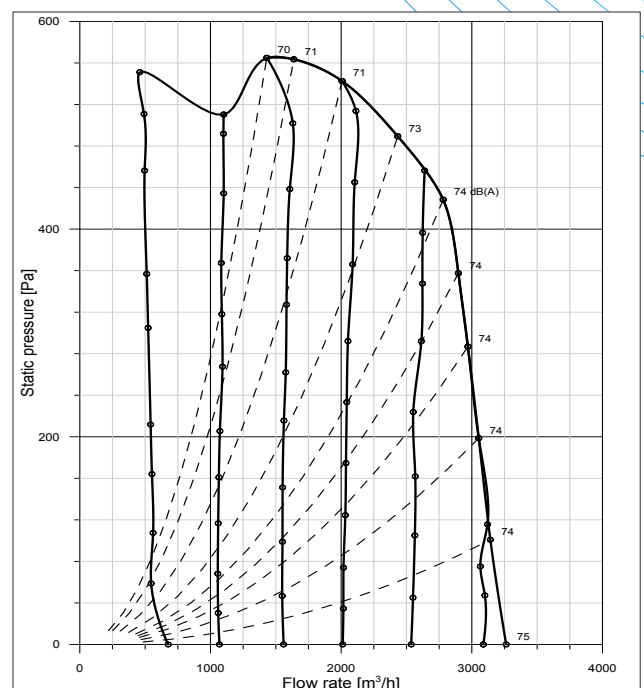
Different, advanced operating modes can be activated with the use of a dedicated software for PC and an RS485 interface cable.

Constant-Volume Modes

A group of operating modes provide automatic operation at constant volume-flow-rate, without the need for an external probe or sensor, like a hot-wire probe or a pressure transducer.

The DDMP drivers can take advantage of the physical properties of the forward-curved fans, and determine the fan duty-point from a measurement of the fan speed and power consumption, and then adjust the fan speed to keep a set value of the volume flow rate, within a pre-determined range and the limit set by the maximum power and torque of the drive system.

Constant Airflow Curve Graphic



Alternative Speed-Control Modes

Also in speed-control modes, the target speed value can be provided by Modbus, either on a permanent Eprom register, or in a volatile register, like in cases B and C listed above. Including the analogue-input speed-control mode, which is set up as factory default, the speed control modes are available for each of the three alternative channels, A, B or C.

Asynchronous Emulation Modes

Those customers using the fan in a simple speed-control mode may be unsatisfied by a side-effect of the automatic power and torque protection feature, applied to forward-curved fans: in a relatively wide range of slopes of the pressure-loss curve of the air system, the DDMP fan may be unable to reach its nominal maximum speed, or just the speed set by the user, because the power or torque limit is reached before the fan can reach the desired speed.

As a consequence, a user adjusting the fan speed, most often manually and with a potentiometer connected to the analogue input, may suspect a malfunction when, above a certain setting of the potentiometer, any further change has no perceivable effect at all.

To avoid this undesirable effect, the DDMP drivers offer a group of optional operating modes called "Asynchronous emulation". These modes simulate the familiar behaviour of a fan driven by a high-slip AC motor and an electronic voltage controller, where a turn of the knob of the speed controller is always producing a change in the speed of the fan, between the minimum and the maximum, whatever the pressure-loss curve may be.

In an asynchronous emulation mode, the speed, power and torque limits of the fan are combined together and linked to the desired performance input. As a result, the "performance control input" (whether analogue, or numerical via Modbus) is converted into a demand for a fraction of the fan achievable performance, between the minimum and the maximum which is achievable along the pressure-loss curve of the air system: there are no "dead input ranges", but the direct linearity between input signal (or numerical input) and the fan speed is lost.

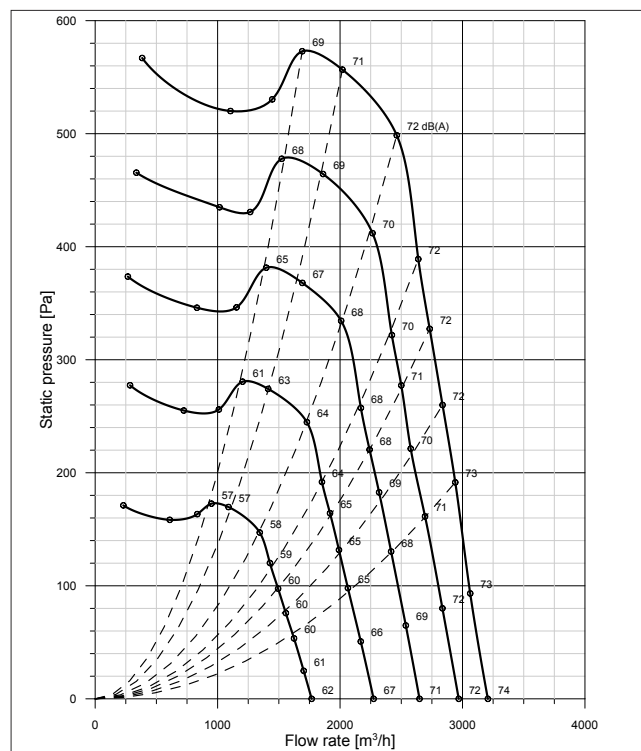
The three asynchronous emulation modes differ for the channel used to provide the setting for the required fan performance: by analogue input signal (0-10 Vdc or PWM), by writing a "slip percentage" in a permanent Eprom register via Modbus, or in a continuously-adjustable but volatile register, via Modbus again, like the three cases A, B and C, described for the constant-volume modes.

PID Modes

Another group of selectable operating modes is providing PID control using the analogue input channel for the measurement of a status variable with an external sensor, e.g. a value of pressure or temperature, or a concentration of CO in the air, which can be kept to a desired value by adjustment of the fan speed and volume.

As the analogue input channel is needed for the signal from the external sensor or transducer, the target value for the PID must be set via the Modbus interface, either permanently in an Eprom register, or in a volatile register.

Example Asynchronous Emulation



Slave Mode

A last advanced mode is the "Slave" mode, in which the DDMP fan is set to closely follow the speed of another DDMP fan, the "master fan", which is running in any one of the other operating modes, by conforming the speed of the slave fan to the tachometric output signal generated by the master. This control arrangement is not required to operate a number of DDMP fans in parallel, when they are run in a plain speed-control mode and driven by the same speed-setting input, but is highly recommended, to prevent system instability, when more fans in parallel are operating either in a closed-loop constant-volume or PID mode.

Note: some restrictions on maximum pressure may exist, when running forward curved fans in parallel, and in a constant-volume or PID closed-loop modes.

Running the DDMP fans in parallel in a Master & Slave control arrangement, avoids the risk that each fan may independently start "hunting," in a frustrating endless search of a stable duty.

Code	Description	Fan Size	Motor	Driver	IP fan grade	
6DA003JZZ0000000	DDMP 7/7 T M6A3 DA5	7/7 TIG	1416A3	1431A5	54	
6DA003JZZU000000	DDMP 7/7 T M6A3 DA5+FL SP	7/7 TIG	1416A3	1431A5	54	
6DA0033ZZ0000000	DDMP 7/7 M6A0 DA5	7/7	1416A0	1431A5	54	
6DA0033ZZ0000001	DDMP 7/7 M6A0 DA5+FL	7/7	1416A0	1431A5	54	
6DA0053ZZ0000000	DDMP 7/9 M6A1 DA5	7/9	1416A1	1431A5	54	
6DA0053ZZ0000001	DDMP 7/9 M6A1 DA5+FL	7/9	1416A1	1431A5	54	
6DA003KZZ0000000	DDMP 8/7 T M6A0 DA5	8/7 TIG	1416A0	1431A5	54	
6DA003KZZ0000001	DDMP 8/7 T M6A0 DA5+FL	8/7 TIG	1416A0	1431A5	54	
6DA005KZZ0000000	DDMP 8/9 T M6A1 DA5	8/9 TIG	1416A1	1431A5	54	
6DA005KZZ0000001	DDMP 8/9 T M6A1 DA5+FL	8/9 TIG	1416A1	1431A5	54	
6DA00UTZZ0000000	DDMP 225/240 M6A1 DA5	225/240	1416A1	1431A5	54	
6DA00UTZZ0000001	DDMP 225/240 M6A1 DA5+FL	225/240	1416A1	1431A5	54	
6DA0035ZZ0000000	DDMP 9/7 M6A0 DA5	9/7	1416A0	1431A5	54	
6DA0035ZZ0000001	DDMP 9/7 M6A0 DA5+FL	9/7	1416A0	1431A5	54	
6DA0055ZZ0000000	DDMP 9/9 M6A1 DA5	9/9	1416A1	1431A5	54	
6DA0055ZZ0000001	DDMP 9/9 M6A1 DA5+FL	9/9	1416A1	1431A5	54	
6DA0046ZZ0000000	DDMP 10/8 M6A2 DA5	10/8	1416A2	1431A5	54	
6DA0046ZZ0000001	DDMP 10/8 M6A2 DA5+FL	10/8	1416A2	1431A5	54	
6DA0066ZZ0000000	DDMP 10/10 M6A2 DA5	10/10	1416A2	1431A5	54	
6DA0066ZZ0000001	DDMP 10/10 M6A2 DA5+FL	10/10	1416A2	1431A5	54	
6DB0055ZZ0000000	DDMP 9/9 M6A4 DA8	9/9	1416A4	1431A8	54	
6DB0055ZZ0000001	DDMP 9/9 M6A4 DA8+FL	9/9	1416A4	1431A8	54	
6DB0046ZZ0000000	DDMP 10/8 M6A4 DA8	10/8	1416A4	1431A8	54	
6DB0046ZZ0000001	DDMP 10/8 M6A4 DA8+FL	10/8	1416A4	1431A8	54	
6DB0066ZZ0000000	DDMP 10/10 M6A4 DA8	10/10	1416A4	1431A8	54	
6DB0066ZZ0000001	DDMP 10/10 M6A4 DA8+FL	10/10	1416A4	1431A8	54	
6DB0058ZZ0000000	DDMP 12/9 M6A4 DA8	12/9	1416A4	1431A8	54	
6DB0058ZZ0000001	DDMP 12/9 M6A4 DA8+FL	12/9	1416A4	1431A8	54	
6DB0088ZZ0000000	DDMP 12/12 M6A4 DA8	12/12	1416A4	1431A8	54	
6DB0088ZZ0000001	DDMP 12/12 M6A4 DA8+FL	12/12	1416A4	1431A8	54	

	Maximum values			Optimum energy-efficiency point		Constant flow range		Tmin	Tmax	Page
	Adsorbed power	Pressure (q=0)	Flow rate (P=0)	Flow rate	Pressure	Qmin	QMAX			
	[W]	[Pa]	[m ³ /h]	[m ³ /h]	[Pa]	[m ³ /h]	[m ³ /h]	[°C]	[°C]	
	1065	1191	2175	1477	901	1000	1950	-20	+40	10
	1065	1191	2175	1477	901	1000	1950	-20	+40	10
	1074	565	3263	2007	543	500	3000	-20	+40	12
	1074	565	3263	2007	543	500	3000	-20	+40	12
	1048	545	3694	2460	514	1000	3500	-20	+40	14
	1048	545	3694	2460	514	1000	3500	-20	+40	14
	1052	763	3163	2002	762	750	2750	-20	+40	16
	1052	763	3163	2002	762	750	2750	-20	+40	16
	1049	728	3564	2607	634	1000	3250	-20	+40	18
	1049	728	3564	2607	634	1000	3250	-20	+40	18
	1044	772	3512	2355	703	1000	3250	-20	+40	20
	1044	772	3512	2355	703	1000	3250	-20	+40	20
	1036	836	3108	1806	785	1000	3000	-20	+40	22
	1036	836	3108	1806	785	1000	3000	-20	+40	22
	1040	790	3544	2803	566	1000	3250	-20	+40	24
	1040	790	3544	2803	566	1000	3250	-20	+40	24
	1036	1128	4088	2979	605	1000	3750	-20	+40	26
	1036	1128	4088	2979	605	1000	3750	-20	+40	26
	1029	1139	4148	3173	473	1000	4000	-20	+40	28
	1029	1139	4148	3173	473	1000	4000	-20	+40	28
	2213	799	5412	3215	799	1000	5000	-20	+40	30
	2213	799	5412	3215	799	1000	5000	-20	+40	30
	2208	1129	5040	3742	1081	1000	4500	-20	+40	32
	2208	1129	5040	3742	1081	1000	4500	-20	+40	32
	2202	1175	5765	4397	923	1000	5000	-20	+40	34
	2202	1175	5765	4397	923	1000	5000	-20	+40	34
	1764	1145	5487	4234	681	1500	4500	-20	+40	36
	1764	1145	5487	4234	681	1500	4500	-20	+40	36
	1789	1181	5848	4471	639	1500	5000	-20	+40	38
	1789	1181	5848	4471	639	1500	5000	-20	+40	38

The DDMP “metric-range”

The DDMP range has a downward extension, to relatively tiny fans, of sizes of 146 mm or less, with power input limited to 220 W, single-phase.

These fans retain the high operating efficiency of their larger and more powerful relatives, but have been simplified to reduce their cost.

The driver is provided with a passive EMC filter, very effective but much simpler than the active unit adopted on the 1 kW and 2 kW units.

On these fans there is no Modbus interface, and the operating mode is limited to a simple speed control, with the fan speed proportional to the analogue input voltage (0-10 Vdc or PWM).

Power supply for a potentiometer and a tachometric output are also provided.

Because of the very small size of the scroll of these fans, the 220W drivers are not fitted to the side-plate of the fans, but are supplied separately, and are connected to the motor cables with quick-connection plugs.

For any additional information on the fans from this part of the range, please refer to the dedicated catalogue

Specifications

DDMP 1 kW & 2 kW Range

Direct-driven, double-inlet forward-curved centrifugal fan, with high-efficiency drive system. The drive system includes a high-efficiency external-rotor permanent-magnet motor and a smart electronic motor driver, providing speed-control and self-protection against overloading or overheating.

The external-rotor motor, using high-intensity magnets for better efficiency and compactness, is directly integrated in the hub of the impeller and supported on both sides with streamlined brackets, incorporating integral vibration dampers.

The single-phase 1kW or 2kW drivers, fitted to the fan scroll case, provide advanced control functions as well as both analogue and digital external interfaces, and incorporate an active power factor control device, keeping the fan power factor constantly at optimum values, as well as restricting harmonic distortion on the supply network.

The solid scroll cases are made of a pair of pressed side-plates, incorporating the streamlined inlet nozzles, and a rolled backplate, all of galvanized steel, joined, without welding, with a patented cold-rolling process, to prevent both corrosion and vibration.

The high-performance forward-curved impellers directly bolted onto the motor, are also made of galvanized steel plate, and assembled by cold-forming, to preserve the corrosion-protecting effect of the zinc layer on the surface of the steel plate.

DDMP 200 W range

Direct-driven, double-inlet forward-curved centrifugal fan, with high-efficiency drive system.

The drive system includes a high-efficiency external-rotor permanent-magnet motor and an electronic motor driver, providing speed-control and self-protection against overloading or overheating.

The external-rotor motor is directly integrated in the hub of the impeller and is supported on streamlined brackets, incorporating integral vibration dampers.

The single-phase 200 W drivers are delivered loose, to be installed besides the fan, and are connected to the motors with quick-attachment plugs.

The drivers provide speed control according to an analogue input signal, and incorporate a passive EMC filter, restricting harmonic distortion on the supply network.

The solid scroll cases are made of a pair of pressed side-plates and a rolled backplate, all made of galvanized steel, joined by spot-welding.

The high-performance forward-curved impellers are also made of galvanized steel plate, and assembled by cold-forming, to preserve the corrosion-protecting effect of the zinc layer on the surface of the steel plate.

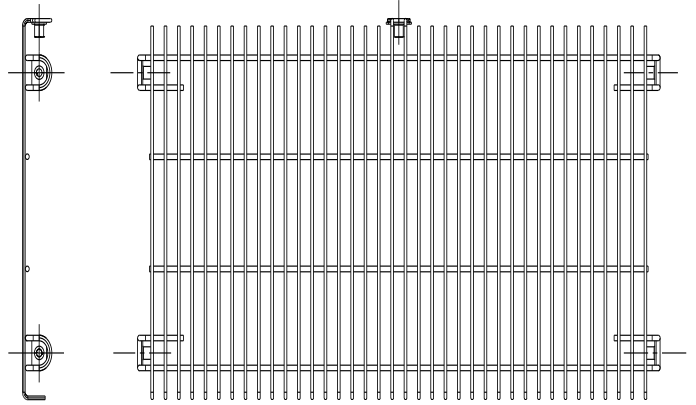
Accessories

Besides the basic DDMP fan, Nicotra Gebhardt can supply a number of accessories, which may significantly simplify the fan installation:

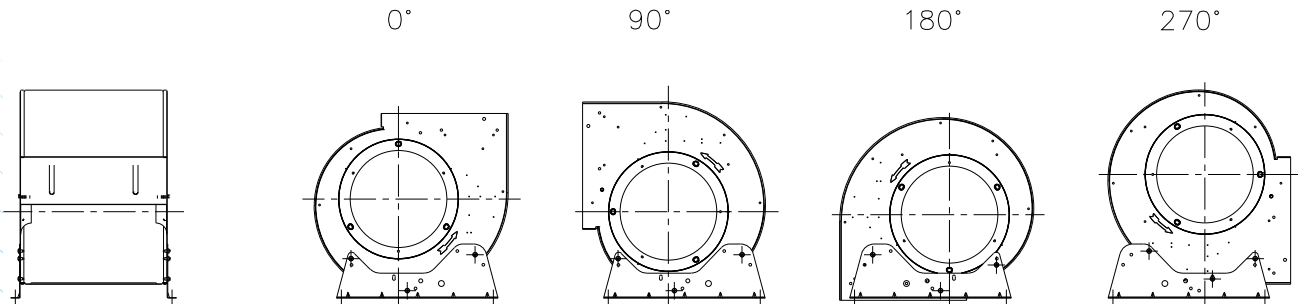
- mounting feet, suitable for fastening to the scroll side-plates,
- additional outlet flanges or counter-flanges
- flexible connectors for the fan outlet opening,
- inlet guards in accordance to ISO 13857,
- outlet guards in accordance to ISO 13857

and many others.

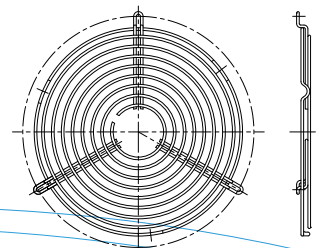
A complete list can be found inside the special catalogue dedicated to the accessories for AT-DD-DDM and DDMP fans, freely available from the download area of the Nicotra-Gebhardt website.



Outlet protection guards

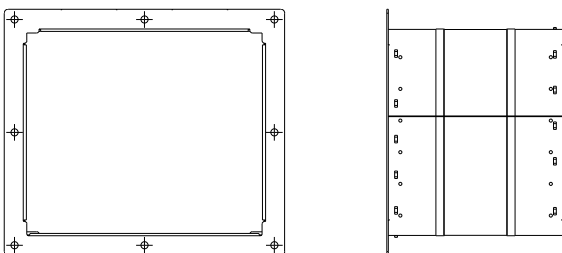


Mounting feet kit



Inlet protection guard kit

Outlet flexible connection



Type: DDMP 7/7 T 1kW 1Ph Motor: 1416A3+1431A5

Power: 1065 W (input, max)	Protection Cl.: IP 54 (Motor)
Poles: 8	Insulation Cl.: F
Voltage: 220-240 V	Thermal prot.: YES-Integral
Supply: 1~	Temp. Min: -20 °C
Frequency: 50-60 Hz	Temp. Max: +40 °C
Capacitor: n.a.	Current Max: 4.59 A

Performance data referring to:
Standard air density $\rho = 1.20 \text{ kg / m}^3$
Installation type "B": free inlet, ducted outlet
Sound Power Levels shown are
Inlet-side $L_{WA}(B, in+cas)$, A-weighted, in dBA

Integral speed-control by On-board Driver 1431A5

	qv m ³ /h	pfs Pa	Pe W	n rpm	I A	η_T %
○ Maximum performance curve (10 V)						
A	1294	1174	1065	2977	4.59	43.6
B	1477	901	961	2676	4.11	45.0
C	1633	663	872	2415	3.72	44.3
D	1828	432	786	2159	3.35	43.4
□ Performance at 2430 rpm						
A	1074	778	594	2437	2.51	43.2
B	1327	743	721	2434	3.06	44.4
C	1630	674	872	2428	3.72	44.8
D	n.a.	n.a.	n.a.	n.a.	n.a.	n.a.
△ Performance at 2070 rpm						
A	984	557	395	2075	1.68	43.2
B	1255	517	497	2074	2.10	44.1
C	1545	452	607	2071	2.57	44.0
D	1764	392	694	2071	2.94	43.5
◇ Performance at 1710 rpm						
A	694	384	208	1717	0.88	38.7
B	950	364	268	1716	1.13	42.2
C	1164	330	322	1714	1.36	42.9
D	1460	265	400	1712	1.69	42.4
▽ Performance at 700 rpm						
A	293	60	39	697	0.33	13.6
B	368	58	42	696	0.34	16.4
C	450	54	45	697	0.34	19.0
D	585	43	50	696	0.36	22.0

ErP Data acc. to Reg. 327/11/CE

Performance referred to the best efficiency duty point

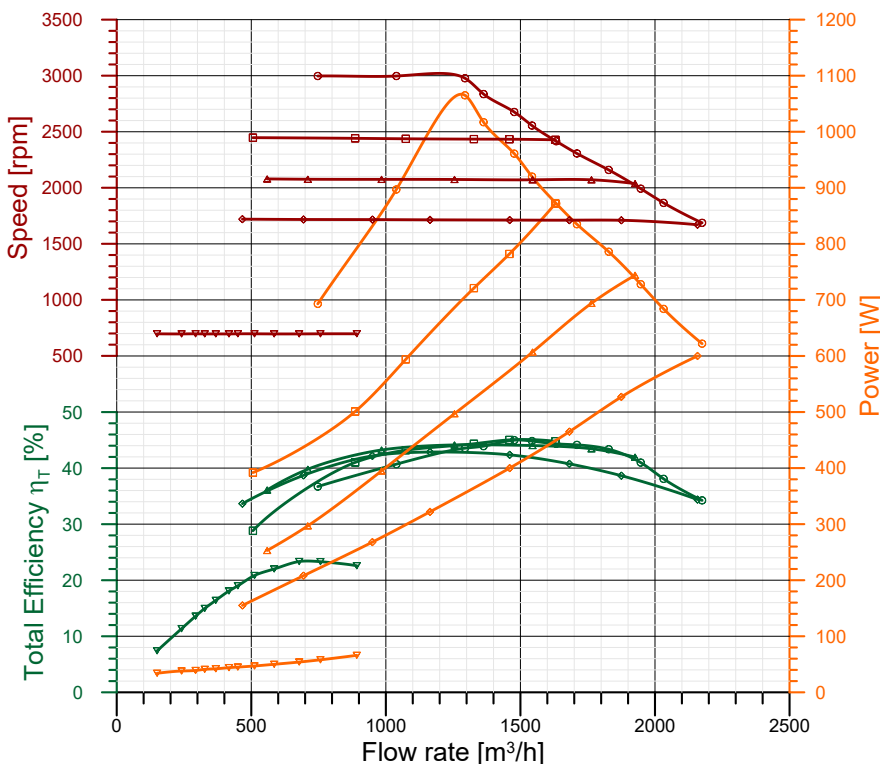
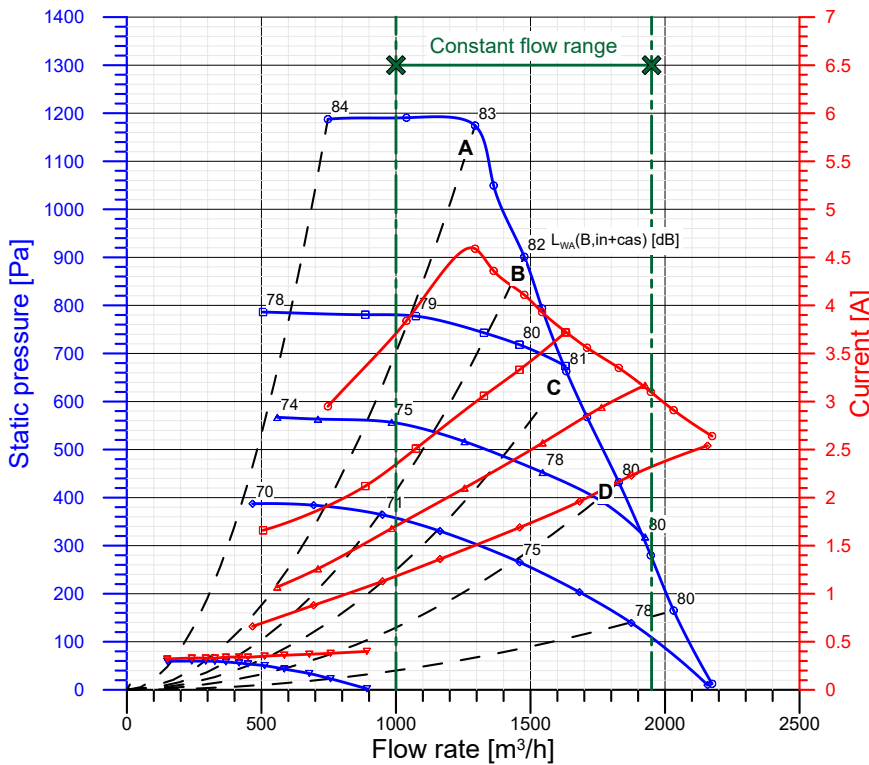
Compl. with Reg. 327/11/EC: Tier II (2015)
Overall Efficiency ($\eta \times C_c$) [%]: 49.0
Measurement category: B
Efficiency category: Total
Efficiency grade N [%]: 55.4
A variable speed drive is integrated with this fan
Manufactured since: 2016
By:
Regal Beloit Italy S.p.A.
Via Modena 18
24040 Ciserano - Italy
Power input [kW]: 0.961
Volume flow rate qv [m³/s]: 0.410
Total Pressure [Pa]: 1057
Speed [rpm]: 2676
Specific ratio: 1.01

Information on:

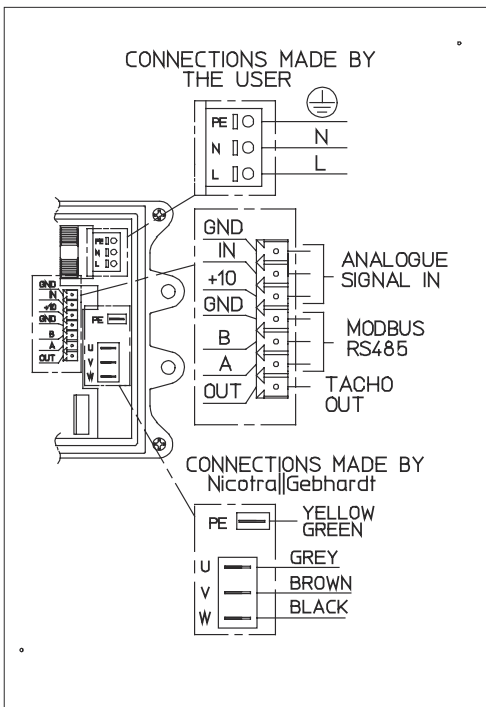
- Disassembly, recycling and disposal at end of life
- Optimal installation, use and maintenance of fans

are freely downloadable from
www.nicotra-gebhardt.com

Testing is carried out with the optional components of the test airway required, according to ISO 5801:2007, for the installation type detailed here on top.



WIRING DIAGRAM

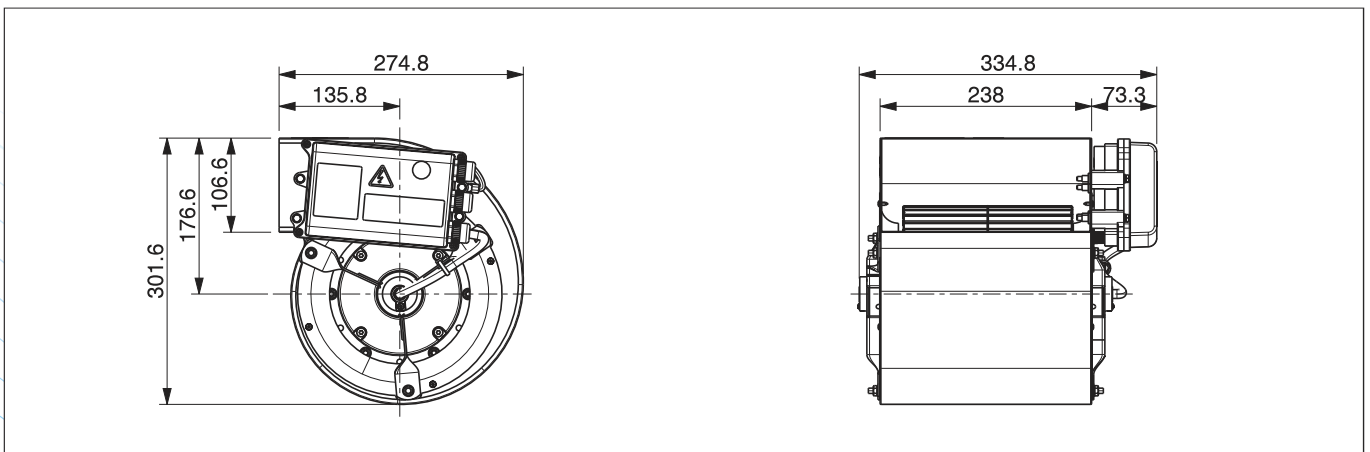


NOISE DATA

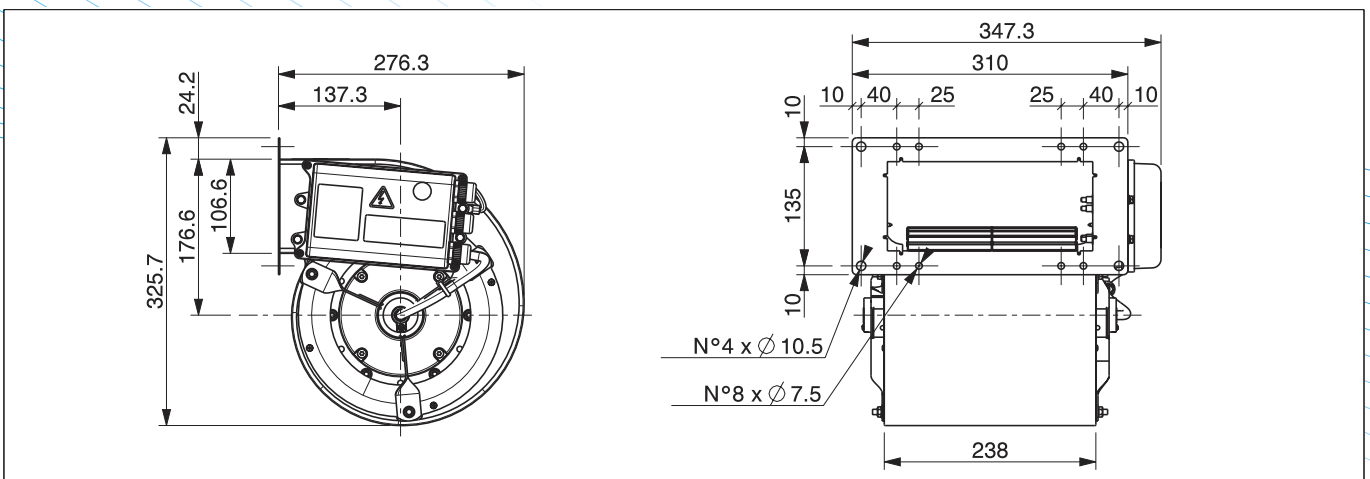
Working point	Sound power level for inlet side (Lw) in dB									
	m ³ /h	63	125	250	500	1k	2k	4k	8kHz	LwA
230 V / 50 Hz	1294	55,1	76,3	82,2	77,0	76,8	78,8	72,3	68,1	83,4
F.M.W.L.	1477	68,5	74,4	80,0	74,8	75,6	78,2	70,9	66,6	82,3
	1633	61,3	72,7	78,0	73,2	75,0	76,7	70,0	65,7	81,0
	1828	63,4	69,1	75,7	72,4	74,9	75,7	69,4	65,3	80,2
230 V / 50 Hz	1074	64,7	73,7	76,4	71,9	72,5	74,1	67,3	62,5	78,6
2430 rpm	1327	64,3	72,3	77,4	73,3	73,9	75,0	68,5	64,0	79,7
	1630	58,5	70,8	77,6	73,3	75,0	76,4	69,9	65,5	80,9
	N.A.	N.A.	N.A.	N.A.	N.A.	N.A.	N.A.	N.A.	N.A.	N.A.
230 V / 50 Hz	984	68,3	68,4	73,5	68,9	69,9	69,8	63,6	58,5	75,1
2070 rpm	1255	61,2	67,2	74,5	69,5	71,3	71,3	65,1	60,3	76,4
	1545	65,9	67,3	75,3	70,8	72,3	72,9	66,7	62,3	77,8
	1764	64,9	67,5	75,7	71,7	73,8	74,6	68,4	64,2	79,2
230 V / 50 Hz	694	62,5	64,9	68,7	64,1	65,4	63,9	57,6	51,9	69,9
1710 rpm	950	60,0	64,3	70,7	65,9	66,6	65,4	59,3	54,0	71,4
	1164	59,0	65,7	71,2	66,7	68,3	67,4	60,8	55,9	73,0
	1460	60,0	66,1	71,8	68,1	69,7	69,6	63,5	58,9	74,8
230 V / 50 Hz	293	N.A.	N.A.	N.A.	N.A.	N.A.	N.A.	N.A.	N.A.	N.A.
700 rpm	368	N.A.	N.A.	N.A.	N.A.	N.A.	N.A.	N.A.	N.A.	N.A.
	450	N.A.	N.A.	N.A.	N.A.	N.A.	N.A.	N.A.	N.A.	N.A.
	585	N.A.	N.A.	N.A.	N.A.	N.A.	N.A.	N.A.	N.A.	N.A.

DIMENSIONAL DRAWINGS

6DA003JZZ0000000 - DDMP 7/7 T M6A3 DA5



6DA003JZZU000000 - DDMP 7/7 T M6A3 DA5+FL



Type: DDMP 7/7 1kW 1Ph Motor: 1416A0+1431A5

Power:	1074 W (input, max)	Protection Cl.:	IP 54 (Motor)
Poles:	8	Insulation Cl.:	F
Voltage:	220-240 V	Thermal prot.:	YES-Integral
Supply:	1~	Temp. Min.:	-20 °C
Frequency:	50-60 Hz	Temp. Max.:	+40 °C
Capacitor:	n.a.	Current Max.:	4.62 A

Performance data referring to:
Standard air density $\rho = 1.20 \text{ kg / m}^3$
Installation type "B": free inlet, ducted outlet

Sound Power Levels shown are
Inlet-side $L_{WA}(B, in+cas)$, A-weighted, in dBA

Integral speed-control by On-board Driver 1431A5

	qv m ³ /h	pfs Pa	Pe W	n rpm	I A	η_T %
○ Maximum performance curve (10 V)						
A	1431	565	507	1998	2.17	47.4
B	2007	543	716	1998	3.06	48.4
C	2781	428	1073	1997	4.62	41.9
D	2897	358	1074	1929	4.62	39.3
□ Performance at 1800 rpm						
A	1219	428	361	1806	1.54	42.9
B	1820	442	533	1806	2.27	48.2
C	2505	351	776	1806	3.33	42.6
D	2703	315	863	1805	3.71	40.0
△ Performance at 1400 rpm						
A	994	264	184	1385	0.79	42.7
B	1406	257	252	1385	1.08	45.8
C	1889	209	348	1384	1.48	42.2
D	2058	184	386	1384	1.65	39.8
◇ Performance at 1000 rpm						
A	648	114	71	958	0.33	31.0
B	970	120	96	957	0.43	39.0
C	1339	94	130	957	0.56	37.4
D	1405	88	136	957	0.59	36.4
▽ Performance at 400 rpm						
A	269	18	22	398	0.30	6.8
B	381	20	24	398	0.30	10.3
C	534	16	27	398	0.31	12.2
D	576	15	28	398	0.31	12.0

ErP Data acc. to Reg. 327/11/CE

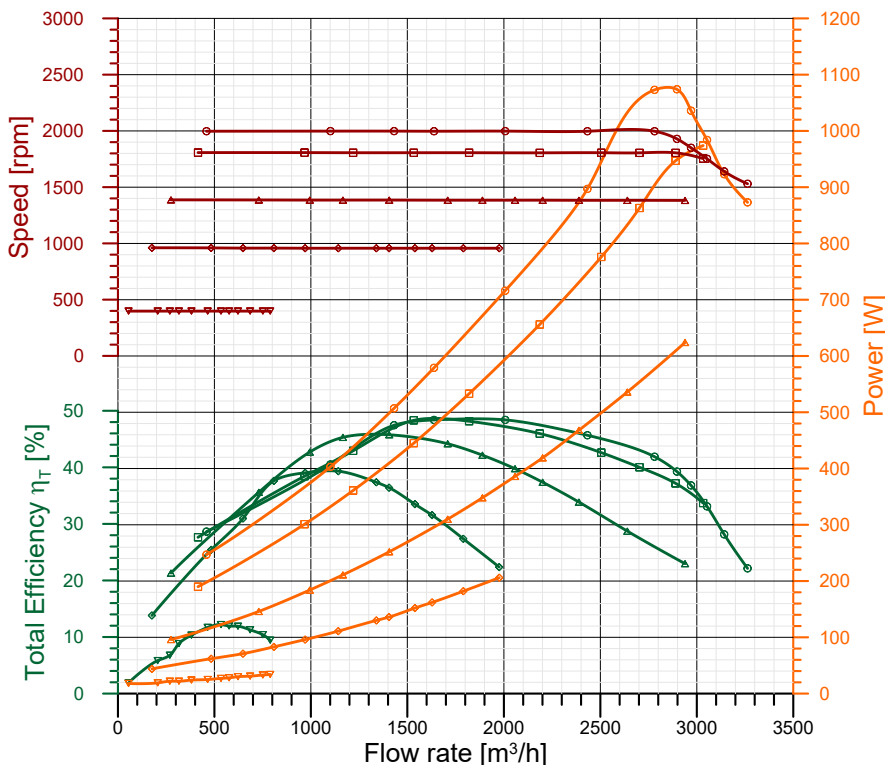
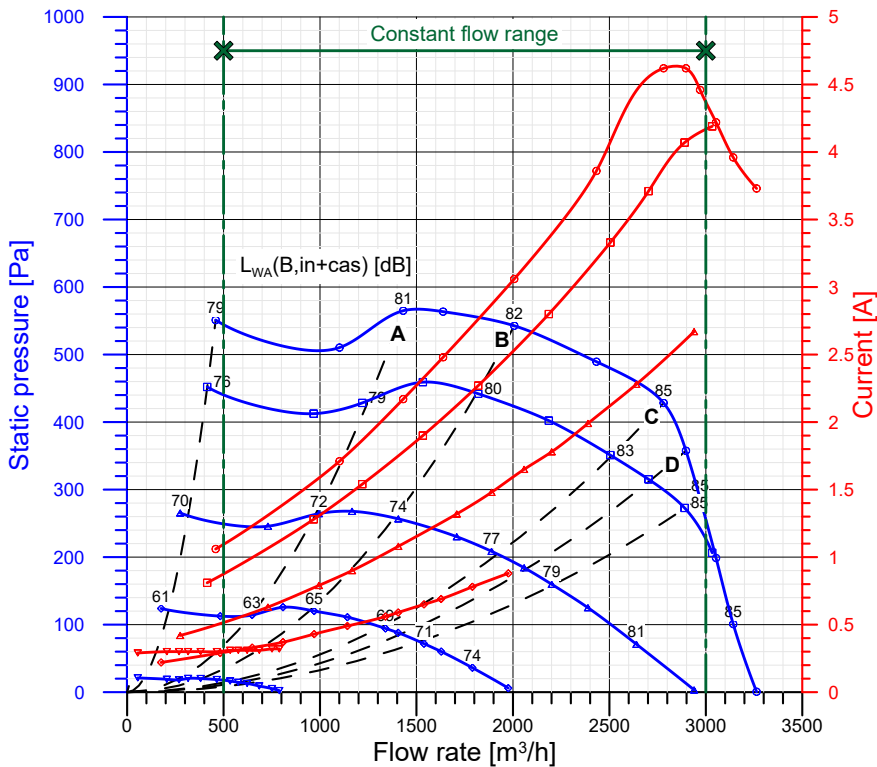
Performance referred to the best efficiency duty point

Compl. with Reg. 327/11/EC: Tier II (2015)
Overall Efficiency ($\eta_x Cc$) [%]: 53.1
Measurement category: B
Efficiency category: Total
Efficiency grade N [%]: 60.3
A variable speed drive is integrated with this fan
Manufactured since: 2016
By:
Regal Beloit Italy S.p.A.
Via Modena 18
24040 Ciserano - Italy
Power input [kW]: 0.716
Volume flow rate qv [m³/s]: 0.558
Total Pressure [Pa]: 623
Speed [rpm]: 1998
Specific ratio: 1.006

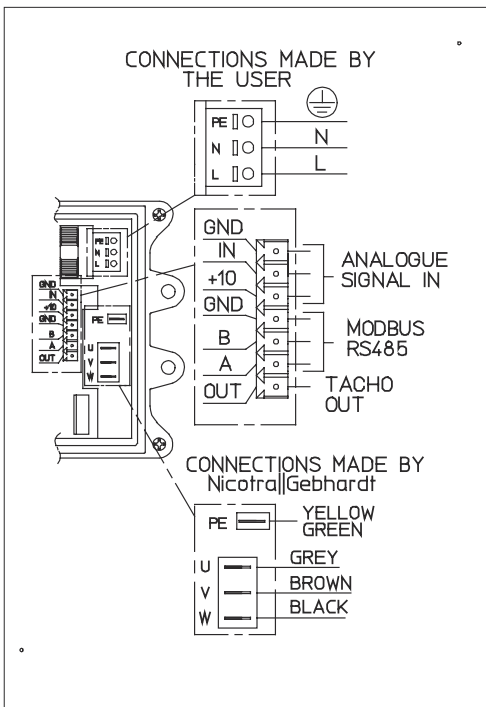
Information on:
- Disassembly, recycling and disposal at end of life
- Optimal installation, use and maintenance of fans

are freely downloadable from
www.nicotra-gebhardt.com

Testing is carried out with the optional components of the test airway required, according to ISO 5801:2007, for the installation type detailed here on top.



WIRING DIAGRAM

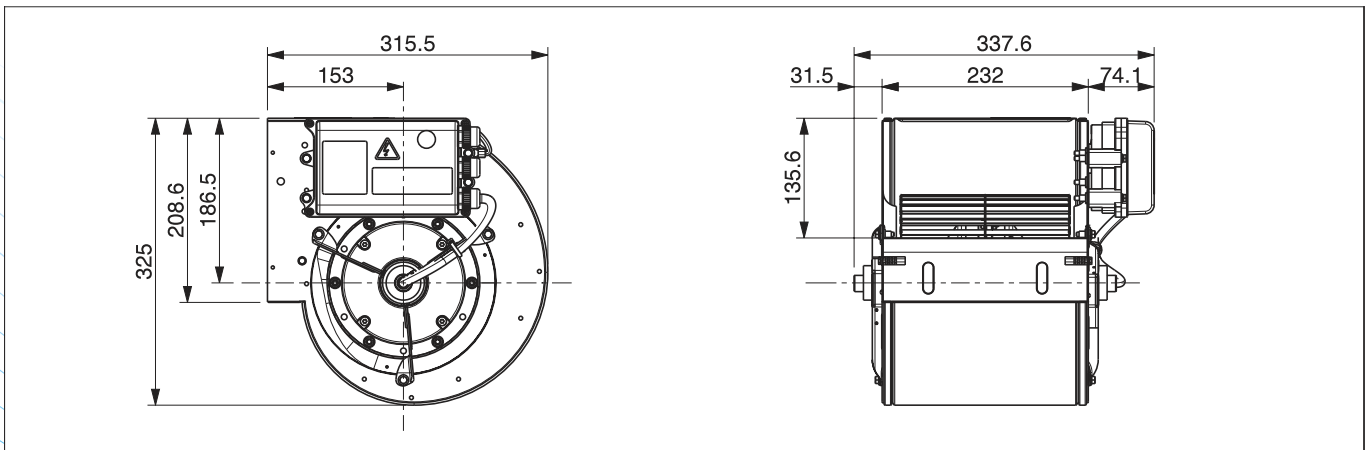


NOISE DATA

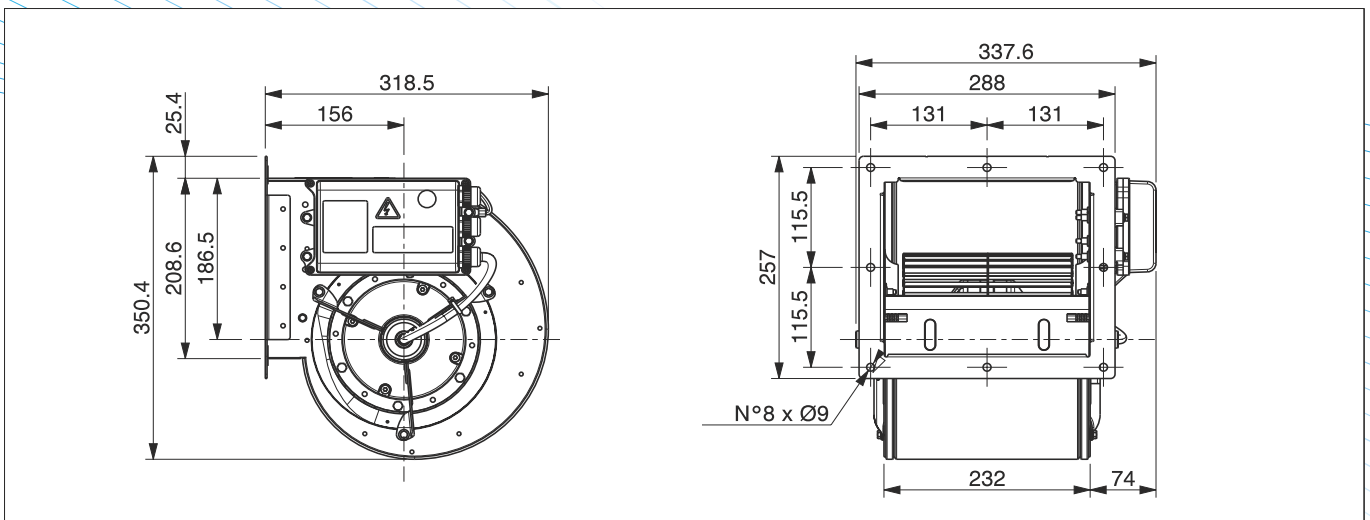
Working point	m ³ /h	Sound power level for inlet side (L _w) in dB								L _{wA}
		63	125	250	500	1k	2k	4k	8kHz	
230 V / 50 Hz	1431	71,5	74,4	84,8	76,1	73,7	71,8	67,3	64,4	80,6
F.M.W.L.	2007	64,5	75,9	84,8	78,2	75,6	74,1	69,8	67,4	82,1
	2781	69,7	76,6	84,5	80,2	78,7	78,5	74,3	71,7	84,8
	2897	69,4	77,9	84,5	80,3	78,9	78,7	74,8	72,2	85,0
230 V / 50 Hz	1219	55,8	73,3	82,9	73,7	72,2	69,0	64,6	61,2	78,5
1800 rpm	1820	65,2	74,8	83,8	76,0	74,3	71,5	67,1	64,5	80,3
	2505	67,0	72,6	83,1	78,0	77,5	76,1	71,7	69,0	82,9
	2703	68,0	72,6	83,1	79,1	78,3	77,0	72,9	70,4	83,7
230 V / 50 Hz	994	55,0	58,4	66,9	58,4	56,6	54,7	50,1	43,2	72,5
1400 rpm	1406	58,7	59,5	67,7	60,7	58,6	56,9	52,6	46,5	74,1
	1889	60,6	61,5	69,8	63,9	61,4	60,4	56,0	50,8	77,0
	2058	58,5	61,1	69,9	64,2	62,6	61,9	57,7	52,6	77,9
230 V / 50 Hz	648	55,8	57,4	65,7	60,3	58,5	53,8	46,3	38,0	63,3
1000 rpm	970	60,3	57,7	68,1	62,1	59,9	56,5	50,0	43,3	65,3
	1339	58,9	60,2	70,6	65,7	62,8	60,9	55,1	50,4	68,7
	1405	60,0	59,3	70,8	66,4	63,5	61,7	55,9	51,5	69,4
230 V / 50 Hz	269	N.A.	N.A.	N.A.	N.A.	N.A.	N.A.	N.A.	N.A.	N.A.
400 rpm	381	N.A.	N.A.	N.A.	N.A.	N.A.	N.A.	N.A.	N.A.	N.A.
	534	N.A.	N.A.	N.A.	N.A.	N.A.	N.A.	N.A.	N.A.	N.A.
	576	N.A.	N.A.	N.A.	N.A.	N.A.	N.A.	N.A.	N.A.	N.A.

DIMENSIONAL DRAWINGS

6DA0033ZZ0000000 - DDMP 7/7 M6A0 DA5



6DA0033ZZ0000001 - DDMP 7/7 M6A0 DA5+FL

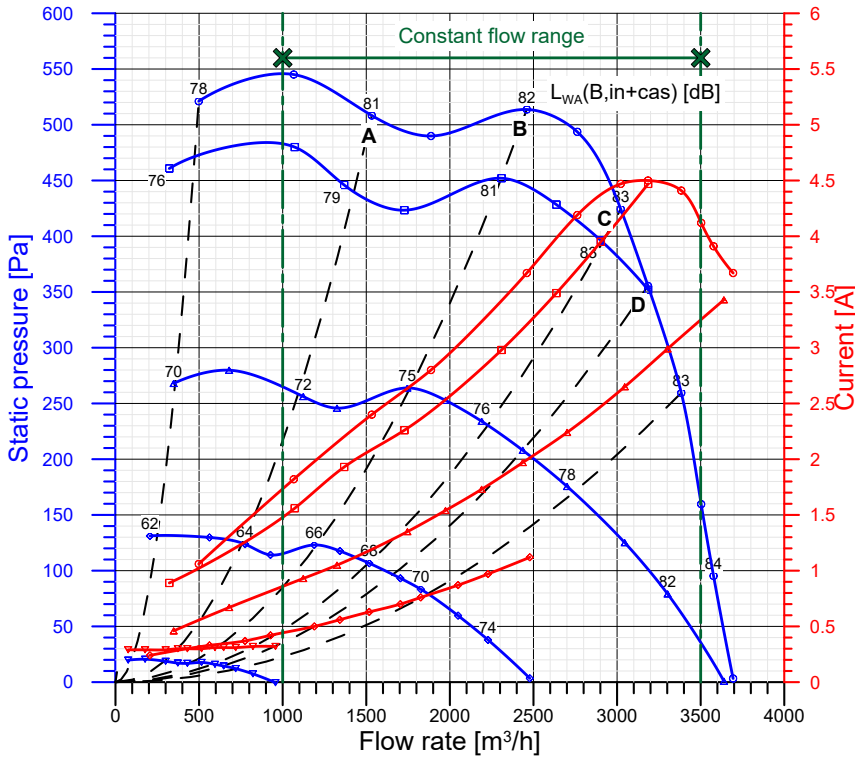


Type: DDMP 7/9 1kW 1Ph Motor: 1416A1+1431A5

Power:	1048 W (input, max)	Protection Cl.:	IP 54 (Motor)
Poles:	8	Insulation Cl.:	F
Voltage:	220-240 V	Thermal prot.:	YES-Integral
Supply:	1~	Temp. Min:	-20 °C
Frequency:	50-60 Hz	Temp. Max:	+40 °C
Capacitor:	n.a.	Current Max:	4.5 A

Performance data referring to:
Standard air density $\rho = 1.20 \text{ kg / m}^3$
Installation type "B": free inlet, ducted outlet
Sound Power Levels shown are
Inlet-side $L_{WA}(B, in+cas)$, A-weighted, in dBA

Integral speed-control by On-board Driver 1431A5



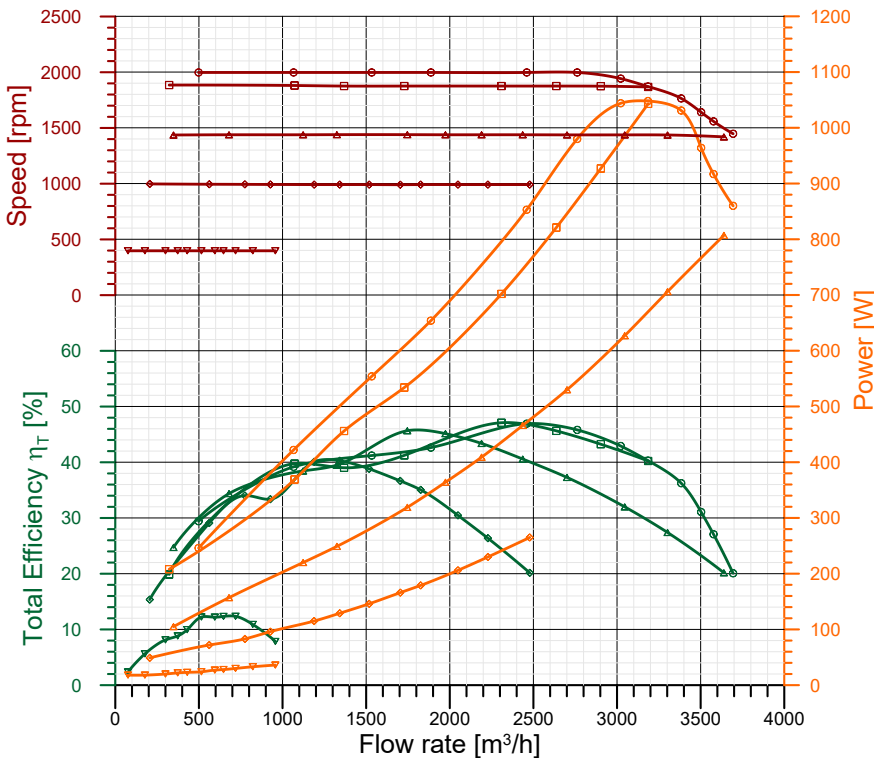
	qv m³/h	pfs Pa	Pe W	n rpm	I A	η_T %
○ Maximum performance curve (10 V)						
A	1533	508	554	1998	2.40	41.2
B	2460	514	853	1998	3.67	46.9
C	3022	424	1044	1943	4.47	42.9
D	3185	355	1048	1872	4.50	40.3
□ Performance at 1800 rpm						
A	1368	446	456	1876	1.93	39.0
B	2309	452	702	1876	2.98	47.1
C	2903	396	927	1875	3.95	43.2
D	3186	352	1043	1868	4.47	40.2
△ Performance at 1400 rpm						
A	1123	256	220	1439	0.93	38.5
B	1746	264	319	1440	1.35	45.7
C	2190	234	409	1439	1.73	43.4
D	2436	208	466	1439	1.97	40.6
◇ Performance at 1000 rpm						
A	775	124	83	994	0.37	34.0
B	1189	123	115	992	0.50	40.1
C	1518	107	146	992	0.63	38.8
D	1704	93	166	991	0.70	36.7
▽ Performance at 400 rpm						
A	300	19	20	398	0.29	8.1
B	430	17	23	398	0.30	10.0
C	595	16	27	398	0.31	12.2
D	647	14	28	398	0.31	12.3

ErP Data acc. to Reg. 327/11/CE

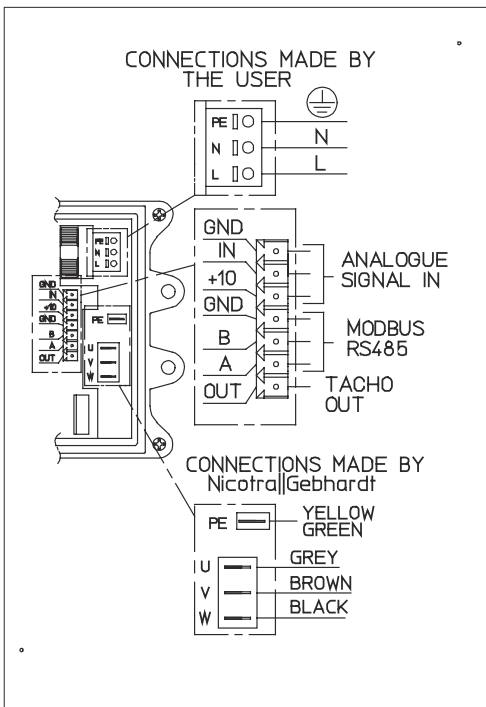
Performance referred to the best efficiency duty point

Compl. with Reg. 327/11/EC: Tier II (2015)
Overall Efficiency ($\eta \times Cc$) [%]: 51.3
Measurement category: B
Efficiency category: Total
Efficiency grade N [%]: 58.1
A variable speed drive is integrated with this fan
Manufactured since: 2016
By:
Regal Beloit Italy S.p.A.
Via Modena 18
24040 Ciserano - Italy
Power input [kW]: 0.853
Volume flow rate qv [m³/s]: 0.683
Total Pressure [Pa]: 587
Speed [rpm]: 1998
Specific ratio: 1.006
Information on:

- Disassembly, recycling and disposal at end of life
- Optimal installation, use and maintenance of fans
are freely downloadable from
www.nicotra-gebhardt.com
Testing is carried out with the optional
components of the test airway required,
according to ISO 5801:2007, for the
installation type detailed here on top.



WIRING DIAGRAM

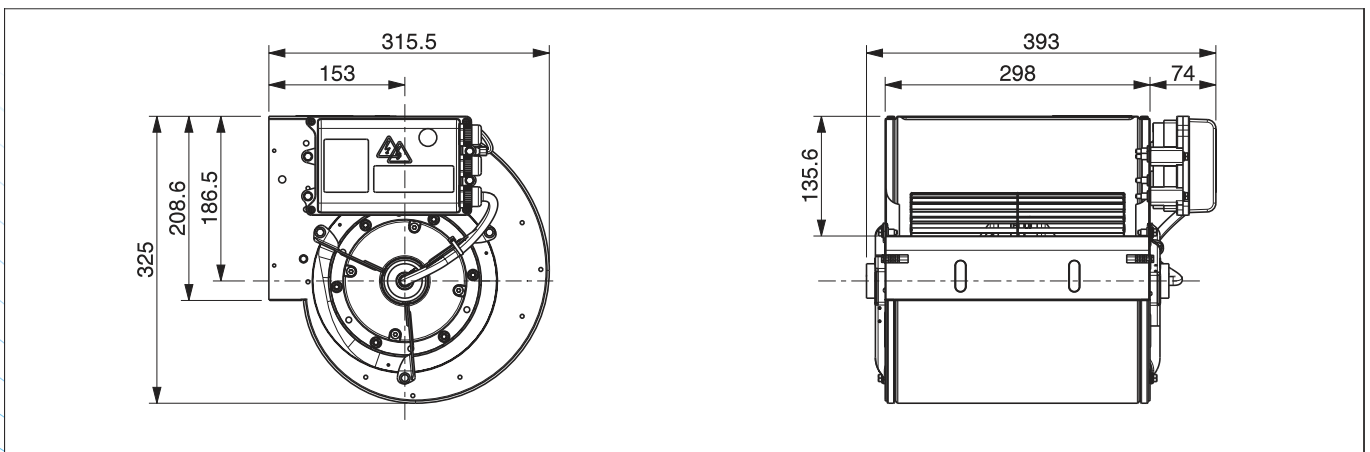


NOISE DATA

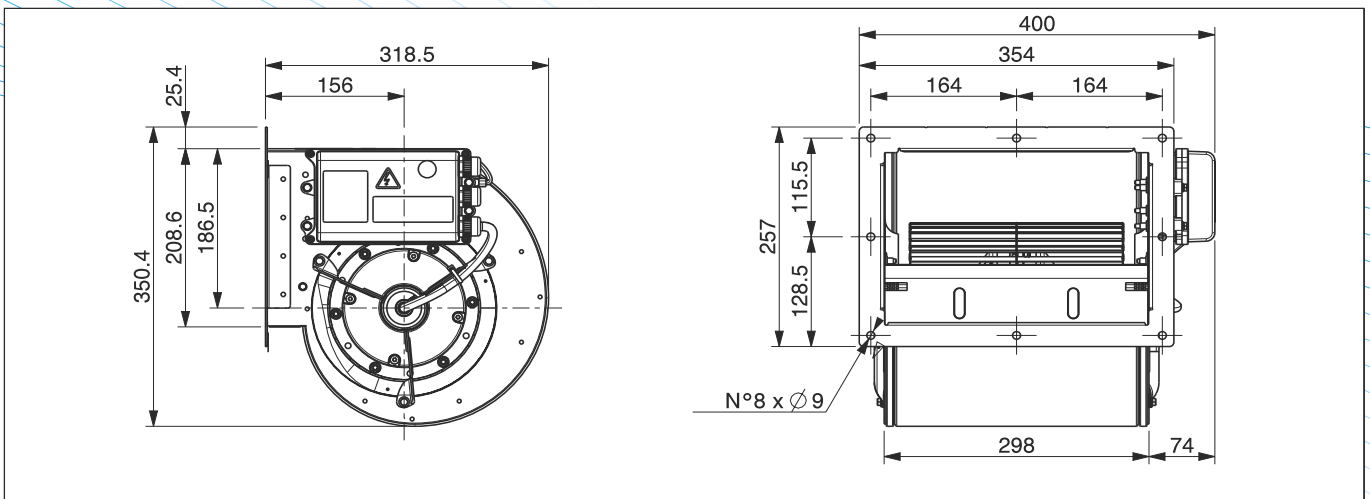
Working point	Sound power level for inlet side (L _w) in dB									
	m ³ /h	63	125	250	500	1k	2k	4k	8kHz	L _{wA}
230 V / 50 Hz	1533	58,0	82,8	84,3	77,9	72,0	71,0	66,7	62,5	80,6
F.M.W.L.	2460	69,8	81,0	85,2	79,8	74,3	73,5	69,0	65,5	82,2
	3022	68,1	78,1	84,5	80,6	76,5	76,0	71,4	68,2	83,4
	3185	65,4	79,2	86,4	80,3	77,1	76,1	72,1	68,7	83,9
230 V / 50 Hz	1368	57,5	81,8	83,4	76,2	70,9	69,4	65,2	60,7	79,3
1800 rpm	2309	66,4	80,0	85,1	77,7	72,7	72,4	67,6	63,9	81,0
	2903	64,6	78,3	85,2	79,7	75,5	75,1	70,6	67,2	82,8
	3186	66,3	78,0	86,9	79,9	77,5	76,3	71,9	68,6	84,0
230 V / 50 Hz	1123	58,5	75,6	75,9	69,7	64,5	63,2	58,0	52,1	72,4
1400 rpm	1746	61,1	76,3	78,5	72,1	67,6	65,8	60,9	55,6	75,0
	2190	61,4	74,8	78,5	73,4	69,8	68,3	63,7	59,2	76,4
	2436	61,1	74,7	78,3	74,6	71,3	69,7	65,3	61,0	77,4
230 V / 50 Hz	775	62,7	64,7	65,9	61,6	60,1	53,7	46,6	36,8	64,4
1000 rpm	1189	64,6	67,1	68,0	62,7	60,6	56,9	49,3	41,7	65,9
	1518	56,1	68,6	69,9	65,8	61,9	59,9	53,2	46,7	68,2
	1704	51,0	68,2	69,6	66,5	63,0	61,5	55,6	49,8	69,0
230 V / 50 Hz	300	N.A.	N.A.	N.A.	N.A.	N.A.	N.A.	N.A.	N.A.	N.A.
400 rpm	430	N.A.	N.A.	N.A.	N.A.	N.A.	N.A.	N.A.	N.A.	N.A.
	595	N.A.	N.A.	N.A.	N.A.	N.A.	N.A.	N.A.	N.A.	N.A.
	647	N.A.	N.A.	N.A.	N.A.	N.A.	N.A.	N.A.	N.A.	N.A.

DIMENSIONAL DRAWINGS

6DA0053ZZ0000000 - DDMP 7/9 M6A1 DA5



6DA0053ZZ00000001 - DDMP 7/9 M6A1 DA5+FL



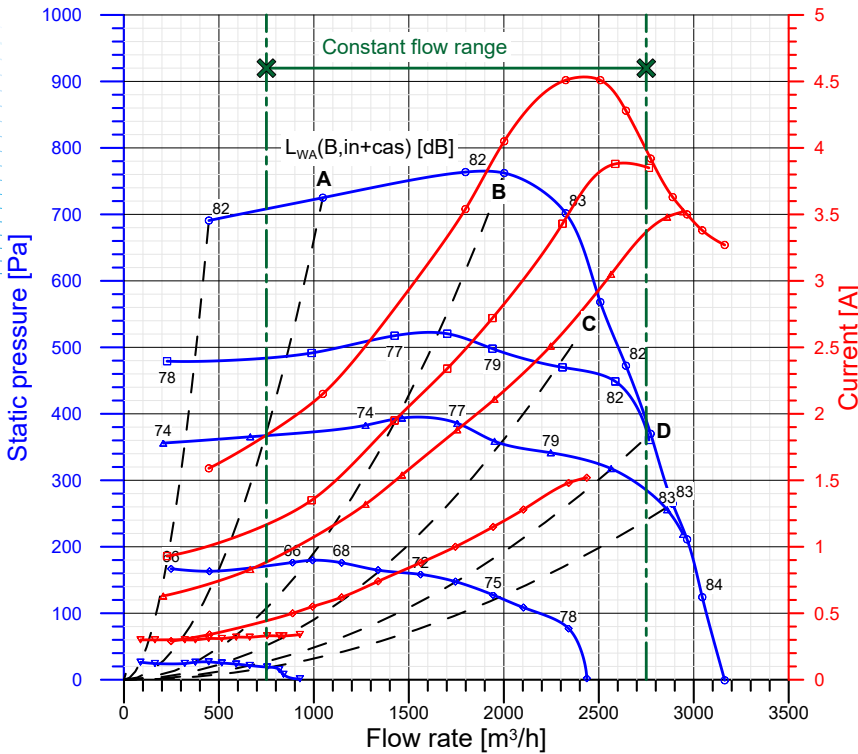
Type: DDMP 8/7 T 1kW 1Ph Motor: 1416A0+1431A5

Power: 1052 W (input, max)	Protection Cl.: IP 54 (Motor)
Poles: 8	Insulation Cl.: F
Voltage: 220-240 V	Thermal prot.: YES-Integral
Supply: 1~	Temp. Min: -20 °C
Frequency: 50-60 Hz	Temp. Max: +40 °C
Capacitor: n.a.	Current Max: 4.51 A

Performance data referring to:
Standard air density $\rho = 1.20 \text{ kg / m}^3$
Installation type "B": free inlet, ducted outlet

Sound Power Levels shown are
Inlet-side $L_{WA}(B, in+cas)$, A-weighted, in dBA

Integral speed-control by On-board Driver 1431A5

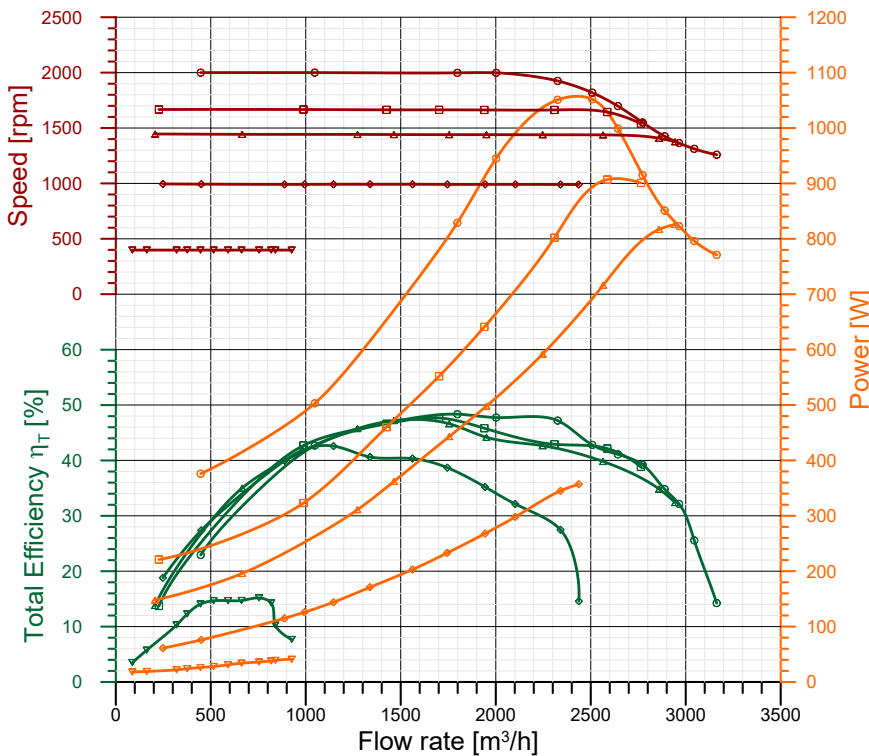


	qv m³/h	pfs Pa	Pe W	n rpm	I A	η_T %
○ Maximum performance curve (10 V)						
A	1047	725	503	2000	2.15	42.7
B	2002	762	945	1998	4.05	47.8
C	2508	568	1052	1819	4.51	42.8
D	2773	370	915	1550	3.92	39.2
□ Performance at 1600 rpm						
A	988	491	323	1667	1.35	42.7
B	1702	521	552	1664	2.34	47.7
C	2309	470	802	1663	3.43	42.9
D	2764	361	901	1539	3.85	38.9
△ Performance at 1400 rpm						
A	665	365	196	1443	0.83	35.0
B	1464	394	362	1441	1.54	47.2
C	1951	359	498	1440	2.11	44.2
D	2565	318	716	1438	3.05	39.8
◇ Performance at 1000 rpm						
A	450	163	76	993	0.34	27.4
B	993	180	126	991	0.55	42.0
C	1338	165	171	992	0.74	40.6
D	1745	148	233	991	1.00	38.7
▽ Performance at 400 rpm						
A	163	24	19	398	0.30	5.8
B	376	26	24	398	0.30	12.3
C	515	25	28	398	0.31	14.7
D	662	21	34	398	0.32	14.7

ErP Data acc. to Reg. 327/11/CE Performance referred to the best efficiency duty point

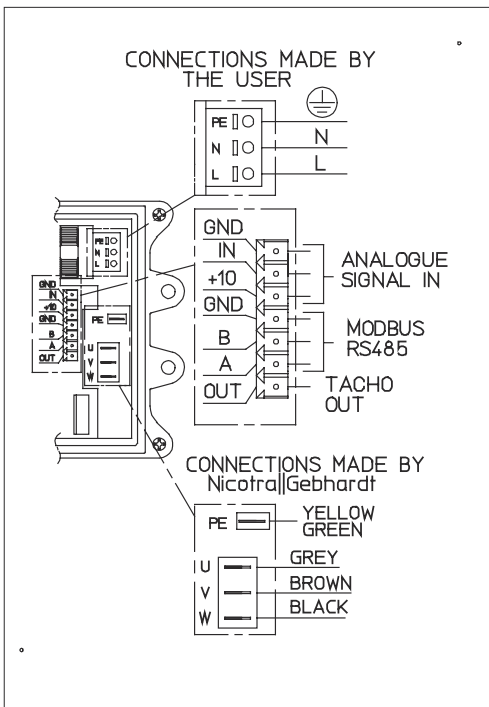
Compl. with Reg. 327/11/EC: Tier II (2015)
Overall Efficiency ($\eta \times Cc$) [%]: 52.9
Measurement category: B
Efficiency category: Total
Efficiency grade N [%]: 59.7
A variable speed drive is integrated with this fan
Manufactured since: 2016
By:
Regal Beloit Italy S.p.A.
Via Modena 18
24040 Ciserano - Italy
Power input [kW]: 0.829
Volume flow rate qv [m³/s]: 0.499
Total Pressure [Pa]: 804
Speed [rpm]: 1998
Specific ratio: 1.008

Information on:
- Disassembly, recycling and disposal at end of life
- Optimal installation, use and maintenance of fans
are freely downloadable from
www.nicotra-gebhardt.com
Testing is carried out with the optional components of the test airway required, according to ISO 5801:2007, for the installation type detailed here on top.



Test nr.: S4907-000/2/3/5/7

WIRING DIAGRAM

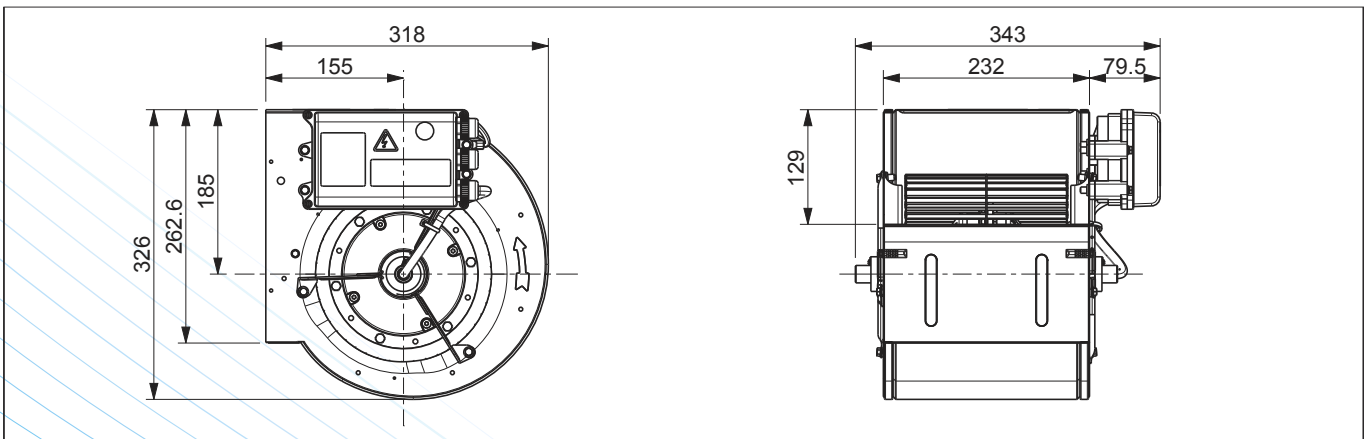


NOISE DATA

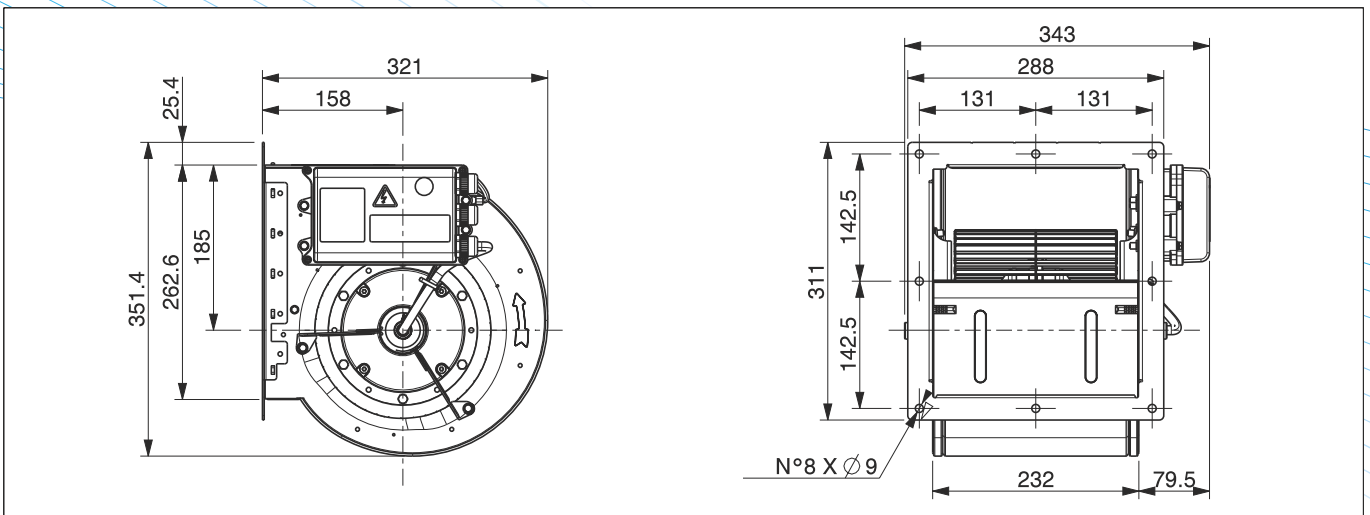
Working point	Sound power level for inlet side (Lw) in dB									
	m³/h	63	125	250	500	1k	2k	4k	8kHz	LwA
230 V / 50 Hz	1047	79,3	84,7	85,8	79,8	74,3	74,8	68,5	65,6	82,7
F.M.W.L.	2002	68,9	78,3	81,6	79,0	74,5	75,6	70,1	67,4	81,9
	2508	74,0	80,0	82,9	79,5	79,9	77,3	71,6	69,1	84,2
	2773	73,4	78,7	80,2	76,5	78,2	76,4	72,0	69,5	82,7
230 V / 50 Hz	988	75,0	82,4	81,7	75,9	70,1	69,3	63,6	58,9	78,5
1600 rpm	1702	67,4	77,2	79,5	73,7	71,5	70,8	65,3	62,5	77,8
	2309	70,6	79,9	79,6	75,5	74,7	74,2	69,4	66,8	80,5
	2764	73,4	78,7	80,1	76,4	78,9	76,4	71,9	69,5	83,0
230 V / 50 Hz	665	73,8	78,7	78,6	72,9	67,2	65,9	59,7	54,3	75,3
1400 rpm	1464	62,0	75,8	76,9	70,0	68,7	67,3	61,8	58,5	74,7
	1951	64,9	75,6	77,2	72,5	72,7	70,6	65,4	62,6	77,5
	2565	70,9	77,6	78,6	74,5	77,9	74,4	70,2	67,5	81,5
230 V / 50 Hz	450	66,7	70,7	69,6	63,4	59,8	56,3	48,0	40,9	66,3
1000 rpm	993	60,3	66,8	68,0	62,0	61,8	58,6	51,2	44,9	66,5
	1338	62,8	67,6	68,7	64,6	68,2	62,2	56,0	52,0	70,8
	1745	62,9	68,4	71,7	67,0	70,6	66,0	61,1	57,2	73,7
230 V / 50 Hz	163	N.A.	N.A.	N.A.	N.A.	N.A.	N.A.	N.A.	N.A.	N.A.
400 rpm	376	N.A.	N.A.	N.A.	N.A.	N.A.	N.A.	N.A.	N.A.	N.A.
	515	N.A.	N.A.	N.A.	N.A.	N.A.	N.A.	N.A.	N.A.	N.A.
	662	N.A.	N.A.	N.A.	N.A.	N.A.	N.A.	N.A.	N.A.	N.A.

DIMENSIONAL DRAWINGS

6DA003KZZ0000000 - DDMP 8/7 T M6A0 DA5



6DA003KZZ0000001 - DDMP 8/7 T M6A0 DA5+FL

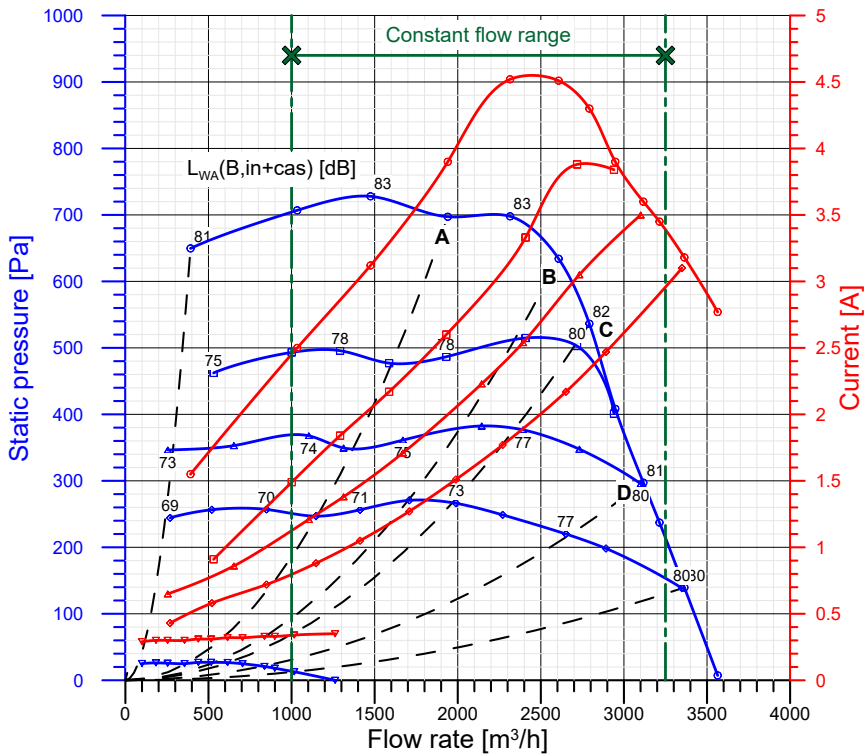


Type: DDMP 8/9 T 1kW 1Ph Motor: 1416A1+1431A5

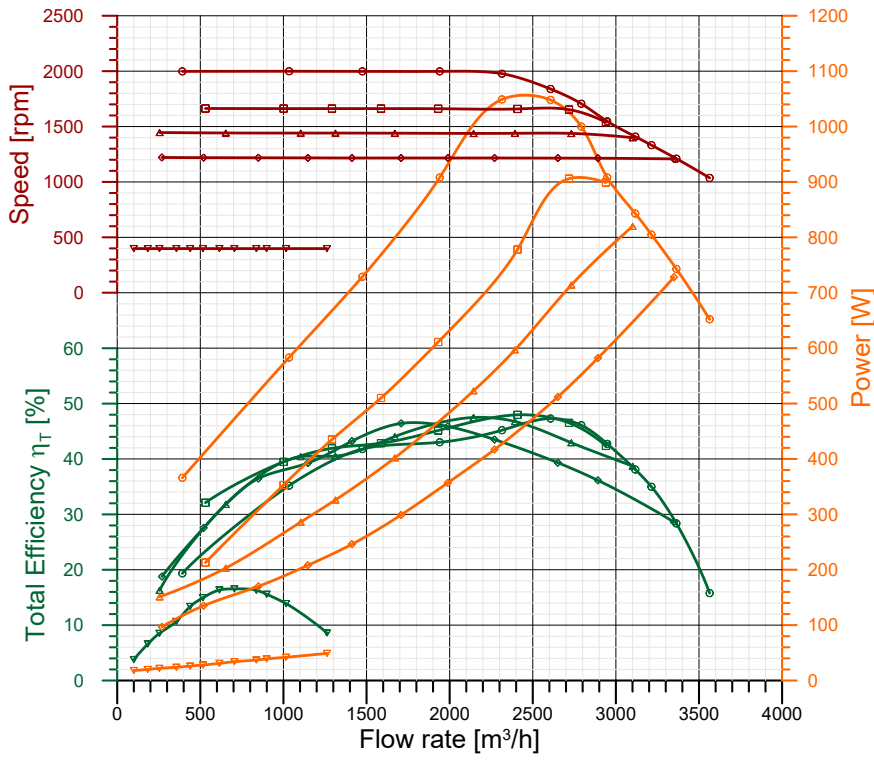
Power:	1049 W (input, max)	Protection Cl.:	IP 54 (Motor)
Poles:	8	Insulation Cl.:	F
Voltage:	220-240 V	Thermal prot.:	YES-Integral
Supply:	1~	Temp. Min:	-20 °C
Frequency:	50-60 Hz	Temp. Max:	+40 °C
Capacitor:	n.a.	Current Max:	4.52 A

Performance data referring to:
Standard air density $\rho = 1.20 \text{ kg/m}^3$
Installation type "B": free inlet, ducted outlet
Sound Power Levels shown are
Inlet-side $L_{WA}(B, in+cas)$, A-weighted, in dBA

Integral speed-control by On-board Driver 1431A5



	qv m³/h	pfs Pa	Pe W	n rpm	I A	η_T %
○ Maximum performance curve (10 V)						
A	1940	697	908	1998	3.90	43.0
B	2607	634	1048	1839	4.51	47.3
C	2792	536	1000	1706	4.30	46.1
D	3117	297	843	1409	3.60	38.1
□ Performance at 1600 rpm						
A	1587	477	510	1662	2.17	42.9
B	2408	515	778	1659	3.33	48.0
C	2718	503	906	1653	3.88	46.5
D	n.a.	n.a.	n.a.	n.a.	n.a.	n.a.
△ Performance at 1400 rpm						
A	1313	349	326	1441	1.38	40.5
B	2144	383	523	1438	2.23	47.5
C	2393	377	597	1439	2.54	46.8
D	3101	296	820	1399	3.50	38.7
◇ Performance at 1200 rpm						
A	1147	247	208	1217	0.88	39.3
B	1708	271	299	1216	1.27	46.4
C	1989	266	357	1216	1.51	45.9
D	2651	220	512	1215	2.17	39.3
▽ Performance at 400 rpm						
A	356	25	24	398	0.30	10.7
B	516	27	28	398	0.31	15.0
C	615	27	31	398	0.32	16.4
D	837	21	37	398	0.33	16.3

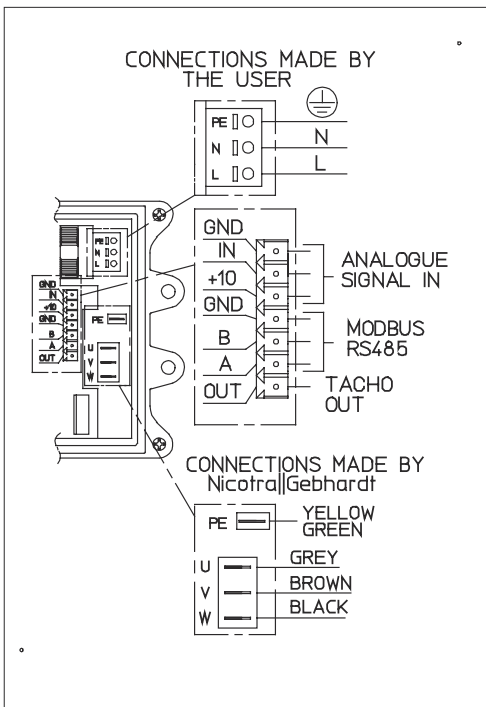


ErP Data acc. to Reg. 327/11/CE

Performance referred to the best efficiency duty point

Compl. with Reg. 327/11/EC: Tier II (2015)
Overall Efficiency ($\eta \times Cc$) [%]: 51.4
Measurement category: B
Efficiency category: Total
Efficiency grade N [%]: 57.6
A variable speed drive is integrated with this fan
Manufactured since: 2016
By:
Regal Belo Italy S.p.A.
Via Modena 18
24040 Ciserano - Italy
Power input [kW]: 1.048
Volume flow rate q_v [m³/s]: 0.724
Total Pressure [Pa]: 686
Speed [rpm]: 1839
Specific ratio: 1.007
Information on:
- Disassembly, recycling and disposal at end of life
- Optimal installation, use and maintenance of fans
are freely downloadable from
www.nicotra-gebhardt.com
Testing is carried out with the optional components of the test airway required, according to ISO 5801:2007, for the installation type detailed here on top.

WIRING DIAGRAM

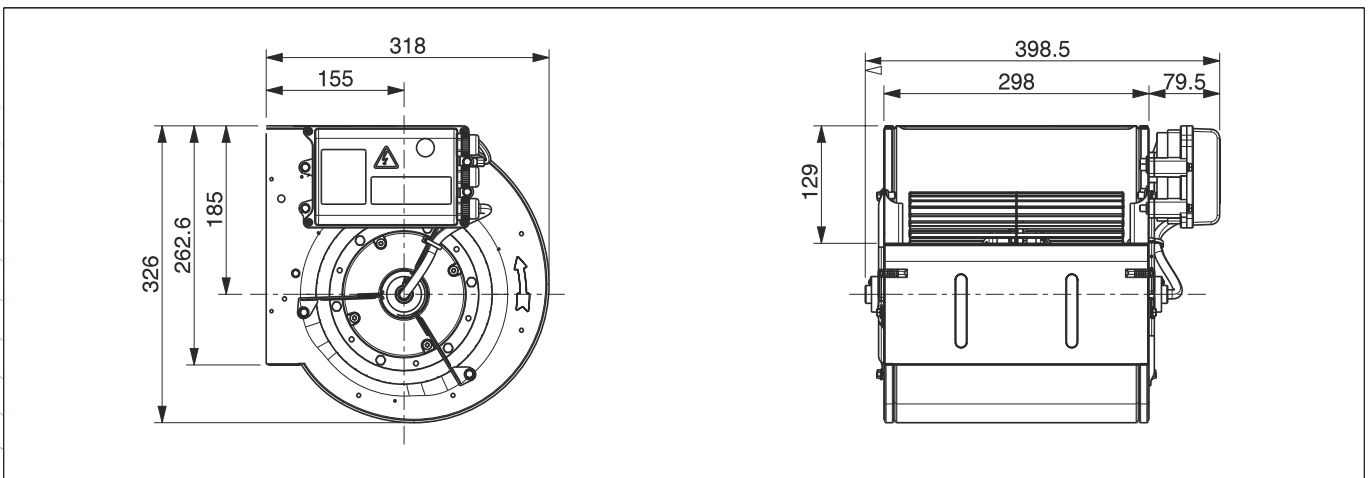


NOISE DATA

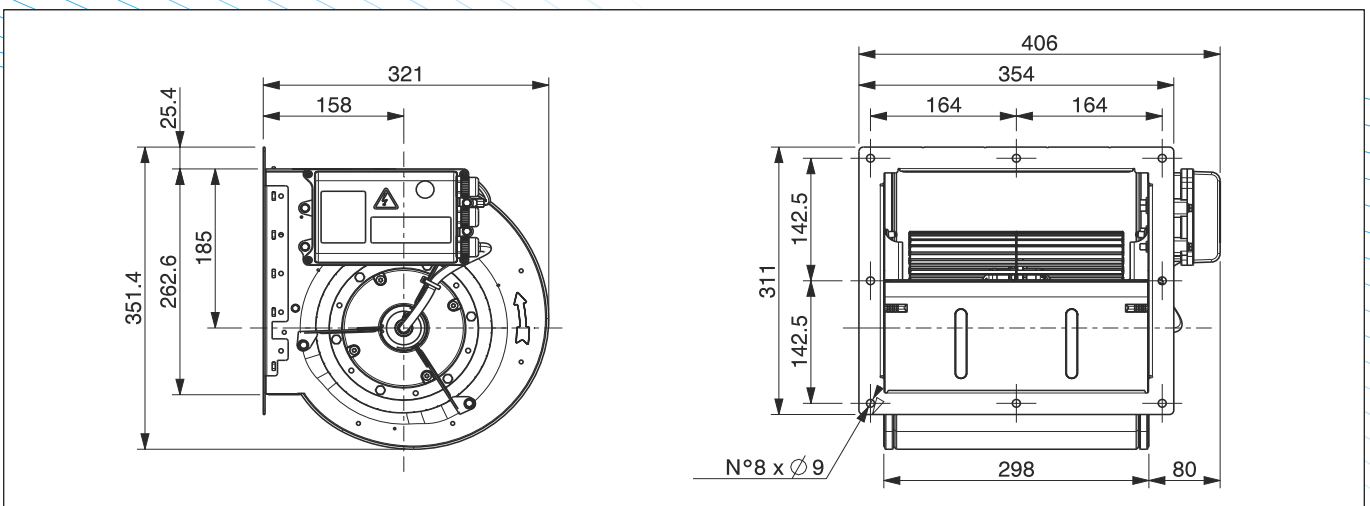
Working point	Sound power level for inlet side (Lw) in dB									
	m³/h	63	125	250	500	1k	2k	4k	8kHz	LwA
230 V / 50 Hz	1940	81,7	86,2	85,8	78,3	74,2	77,0	68,5	65,4	83,0
F.M.W.L.	2607	69,8	80,2	81,8	76,5	75,2	75,1	68,6	65,9	81,2
	2792	71,5	78,1	86,6	75,0	74,5	74,6	68,9	66,0	82,0
	3117	71,2	76,4	79,1	73,8	77,6	74,6	69,7	67,2	81,3
230 V / 50 Hz	1587	77,4	83,1	81,4	74,1	71,4	69,9	63,5	59,9	78,3
1600 rpm	2408	69,4	77,0	80,3	74,1	72,3	72,2	66,1	62,9	78,7
	2718	69,6	78,8	80,6	74,4	73,9	73,5	67,6	64,8	79,7
	N.A.	N.A.	N.A.	N.A.	N.A.	N.A.	N.A.	N.A.	N.A.	N.A.
230 V / 50 Hz	1313	75,2	80,3	77,7	70,8	66,7	65,7	58,9	54,6	74,5
1400 rpm	2144	68,1	77,7	77,1	71,0	69,5	69,1	62,9	59,5	75,7
	2393	72,3	78,8	77,7	71,2	70,3	70,5	64,4	61,4	76,7
	3101	72,9	77,0	78,2	73,7	76,0	74,2	69,4	66,8	80,4
230 V / 50 Hz	1147	72,4	74,5	74,5	67,0	63,7	62,4	54,7	49,1	70,9
1200 rpm	1708	59,5	73,2	73,1	66,7	65,2	64,4	57,5	53,1	71,3
	1989	66,0	73,9	73,8	68,0	67,4	66,4	60,1	56,2	73,0
	2651	69,1	74,3	75,7	70,7	71,2	70,7	65,5	62,4	76,6
230 V / 50 Hz	356	N.A.	N.A.	N.A.	N.A.	N.A.	N.A.	N.A.	N.A.	N.A.
400 rpm	516	N.A.	N.A.	N.A.	N.A.	N.A.	N.A.	N.A.	N.A.	N.A.
	615	N.A.	N.A.	N.A.	N.A.	N.A.	N.A.	N.A.	N.A.	N.A.
	837	N.A.	N.A.	N.A.	N.A.	N.A.	N.A.	N.A.	N.A.	N.A.

DIMENSIONAL DRAWINGS

6DA005KZZ0000000 - DDMP 8/9 T M6A0 DA5



6DA005KZZ0000001 - DDMP 8/9 T M6A0 DA5+FL



Type: DDMP 225/240 1kW 1Ph Motor: 1416A1+1431A5

Power: 1044 W (input, max) Protection Cl.: IP 54 (Motor)
 Poles: 8 Insulation Cl.: F
 Voltage: 220-240 V Thermal prot.: YES-Integral
 Supply: 1~ Temp. Min: -20 °C
 Frequency: 50-60 Hz Temp. Max: +40 °C
 Capacitor: n.a. Current Max: 4.48 A

Performance data referring to:
 Standard air density $\rho = 1.20 \text{ kg/m}^3$
 Installation type "B": free inlet, ducted outlet

Sound Power Levels shown are
 Inlet-side $L_{wA}(B, in+cas)$, A-weighted, in dBA

Integral speed-control by On-board Driver 1431A5

qv	pfs	Pe	n	I	η_T
m3/h	Pa	W	rpm	A	%

○ **Maximum performance curve (10 V)**

A	1221	732	609	1998	2.59	41.4
B	2355	703	1044	1973	4.47	47.0
C	2860	464	974	1672	4.17	43.6
D	2980	356	890	1529	3.80	40.3

□ **Performance at 1600 rpm**

A	1010	505	353	1662	1.50	40.9
B	1985	493	612	1658	2.62	47.4
C	2714	461	891	1649	3.80	44.3
D	2985	352	891	1523	3.80	40.0

△ **Performance at 1400 rpm**

A	868	375	238	1441	1.02	38.6
B	1717	369	401	1439	1.72	46.8
C	2467	340	612	1437	2.63	44.0
D	2852	307	744	1436	3.20	40.2

◇ **Performance at 1000 rpm**

A	574	178	88	994	0.40	32.8
B	1185	173	142	993	0.62	42.9
C	1667	160	203	992	0.88	42.1
D	1946	145	244	992	1.05	39.5

▽ **Performance at 400 rpm**

A	219	27	20	398	0.30	8.3
B	447	27	25	398	0.30	14.0
C	654	24	31	398	0.32	16.4
D	748	23	34	398	0.32	16.8

ErP Data acc. to Reg. 327/11/CE

Performance referred to the best efficiency duty point

Compl. with Reg. 327/11/EC: Tier II (2015)

Overall Efficiency ($\eta_T \times C_c$) [%]: 51.1

Measurement category: B

Efficiency category: Total

Efficiency grade N [%]: 57.3

A variable speed drive is integrated with this fan

Manufactured since: 2016

By:

Regal Beloit Italy S.p.A.

Via Modena 18

24040 Ciserano - Italy

Power input [kW]: 1.044

Volume flow rate qv [m³/s]: 0.654

Total Pressure [Pa]: 751

Speed [rpm]: 1973

Specific ratio: 1.007

Information on:

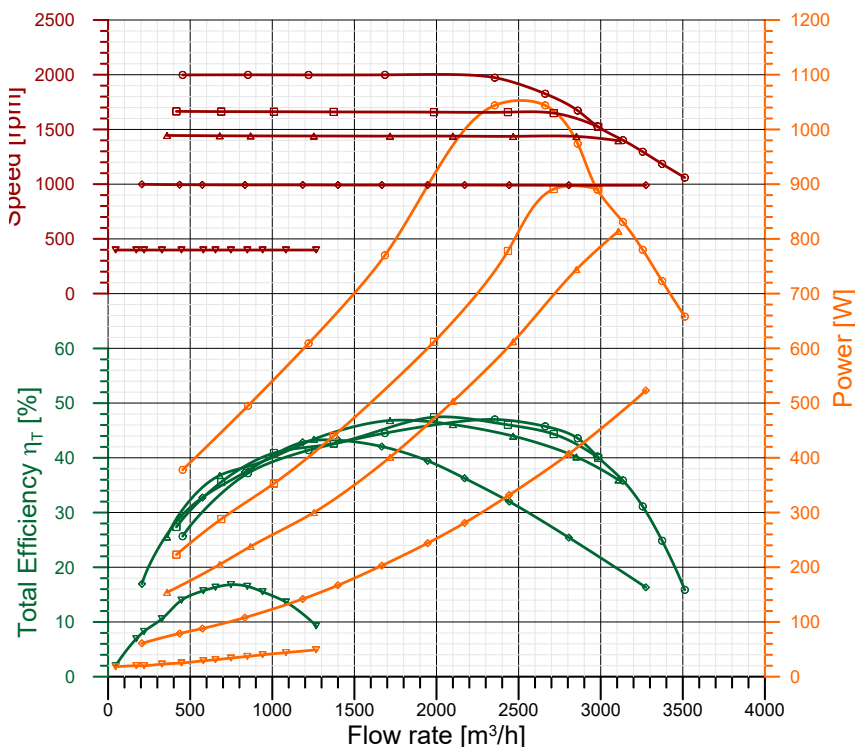
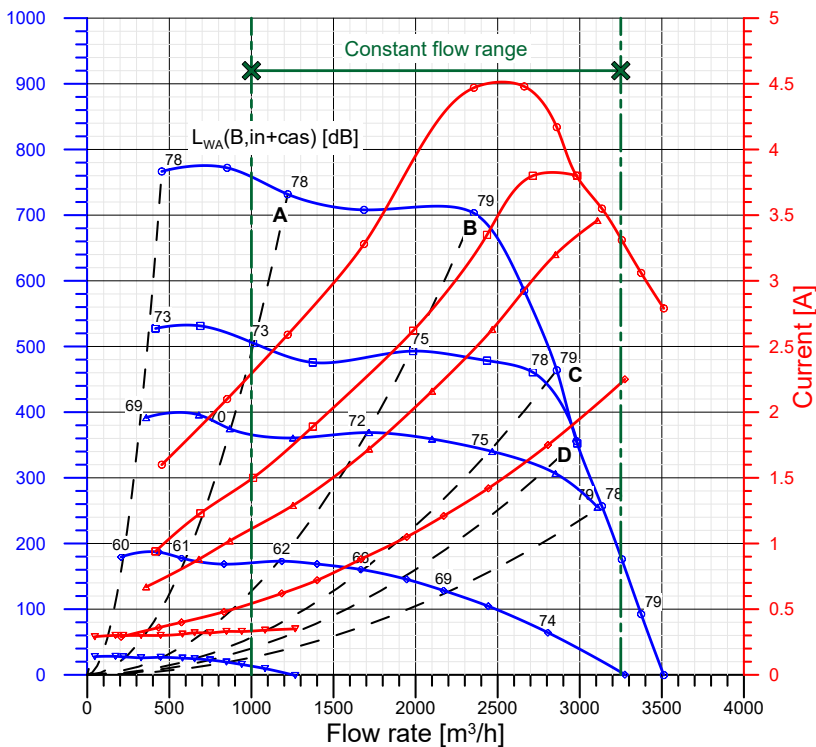
- Disassembly, recycling and disposal at end of life

- Optimal installation, use and maintenance of fans

are freely downloadable from

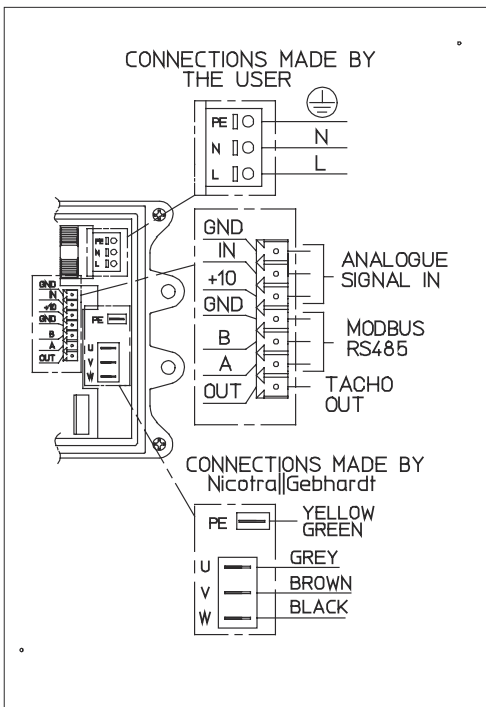
www.nicotra-gebhardt.com

Testing is carried out with the optional components of the test airway required, according to ISO 5801:2007, for the installation type detailed here on top.



Test nr.: S4945-000/2/3/5/7

WIRING DIAGRAM

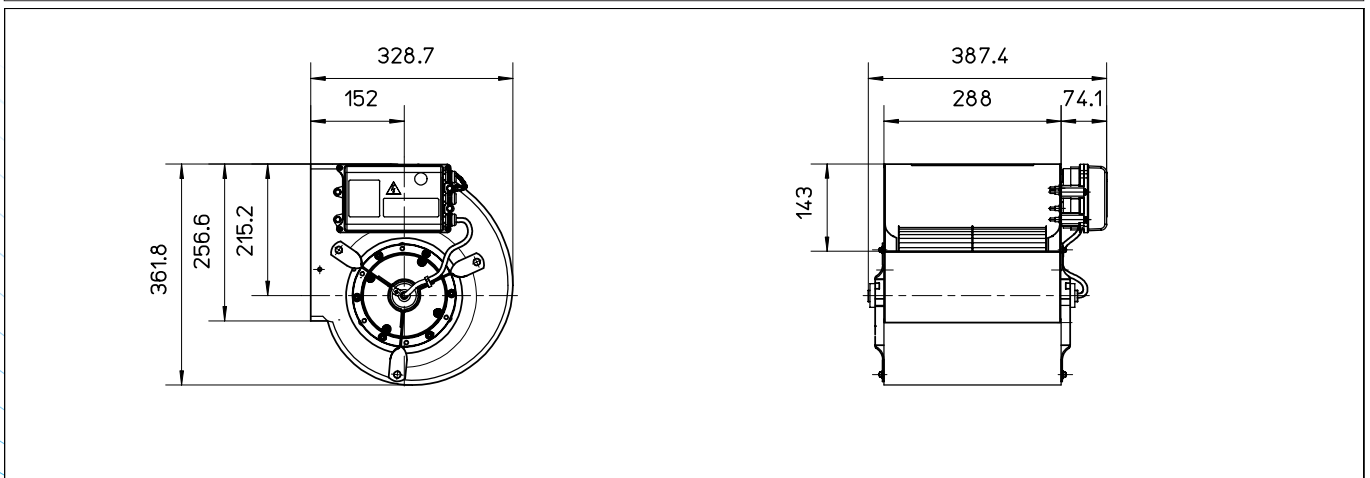


NOISE DATA

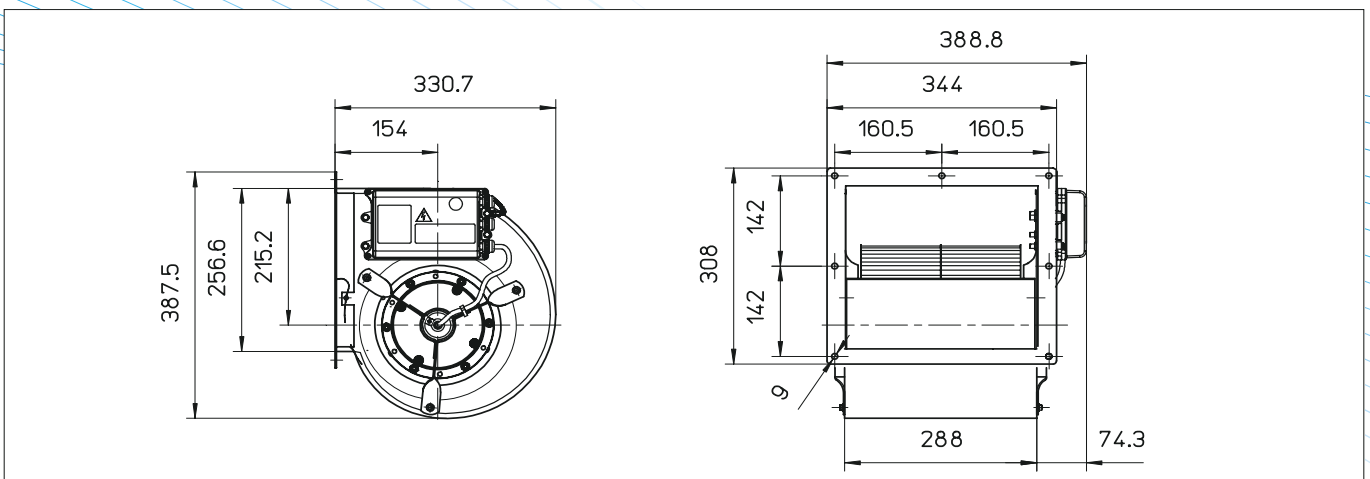
Working point	Sound power level for inlet side (L _w) in dB									
	m ³ /h	63	125	250	500	1k	2k	4k	8kHz	L _{wA}
230 V / 50 Hz	1221	56,8	82,1	81,4	74,1	70,9	69,7	64,9	62,3	78,2
F.M.W.L.	2355	73,9	82,3	82,5	73,9	72,8	71,3	66,7	64,8	79,4
	2860	69,3	78,3	80,2	73,7	73,3	70,6	66,2	63,7	78,5
	2980	69,9	80,0	79,3	73,0	72,4	70,4	66,0	63,4	78,0
230 V / 50 Hz	1010	59,8	77,1	76,5	69,4	66,4	64,8	60,1	56,9	73,4
1600 rpm	1985	71,1	78,6	78,6	70,9	68,9	66,6	62,6	60,2	75,4
	2714	70,9	78,9	80,3	73,1	72,4	69,7	65,2	62,9	78,0
	2985	69,2	79,0	79,8	73,7	72,4	70,6	65,9	63,2	78,2
230 V / 50 Hz	868	60,5	73,8	73,8	66,4	62,8	61,2	56,3	53,3	70,2
1400 rpm	1717	70,3	74,3	74,5	67,6	65,7	63,2	59,2	56,0	71,9
	2467	66,1	76,7	77,3	70,8	69,3	66,8	62,3	59,6	75,1
	2852	67,9	75,3	79,0	72,8	71,7	69,1	64,7	61,9	77,1
230 V / 50 Hz	574	58,6	65,3	63,1	58,3	54,2	51,5	44,5	39,8	60,8
1000 rpm	1185	58,5	64,7	63,3	59,6	56,1	54,2	48,8	41,6	62,3
	1667	53,4	67,2	67,2	63,2	58,7	57,2	52,6	46,6	65,6
	1946	59,2	68,6	68,3	64,9	61,2	59,3	54,9	50,1	67,4
230 V / 50 Hz	219	N.A.	N.A.	N.A.	N.A.	N.A.	N.A.	N.A.	N.A.	N.A.
400 rpm	447	N.A.	N.A.	N.A.	N.A.	N.A.	N.A.	N.A.	N.A.	N.A.
	654	N.A.	N.A.	N.A.	N.A.	N.A.	N.A.	N.A.	N.A.	N.A.
	748	N.A.	N.A.	N.A.	N.A.	N.A.	N.A.	N.A.	N.A.	N.A.

DIMENSIONAL DRAWINGS

6DA00UTZZ000000 - DDMP 225/240 M6A1 DA5



6DA00UTZZ000001 - DDMP 225/240 M6A1+FL

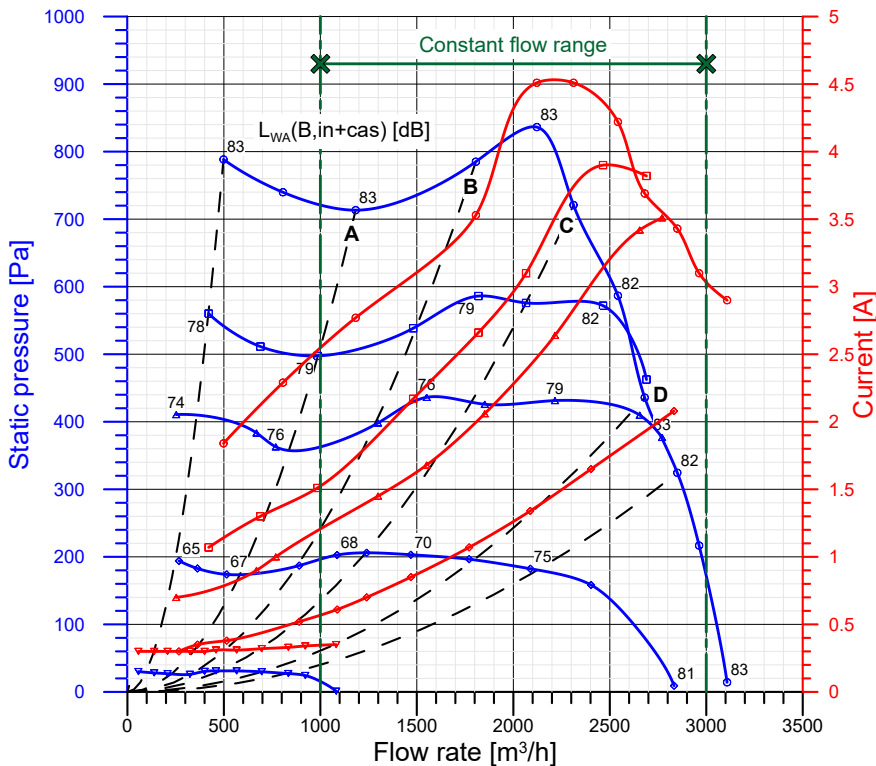


Type: DDMP 9/7 1kW 1Ph Motor: 1416A0+1431A5

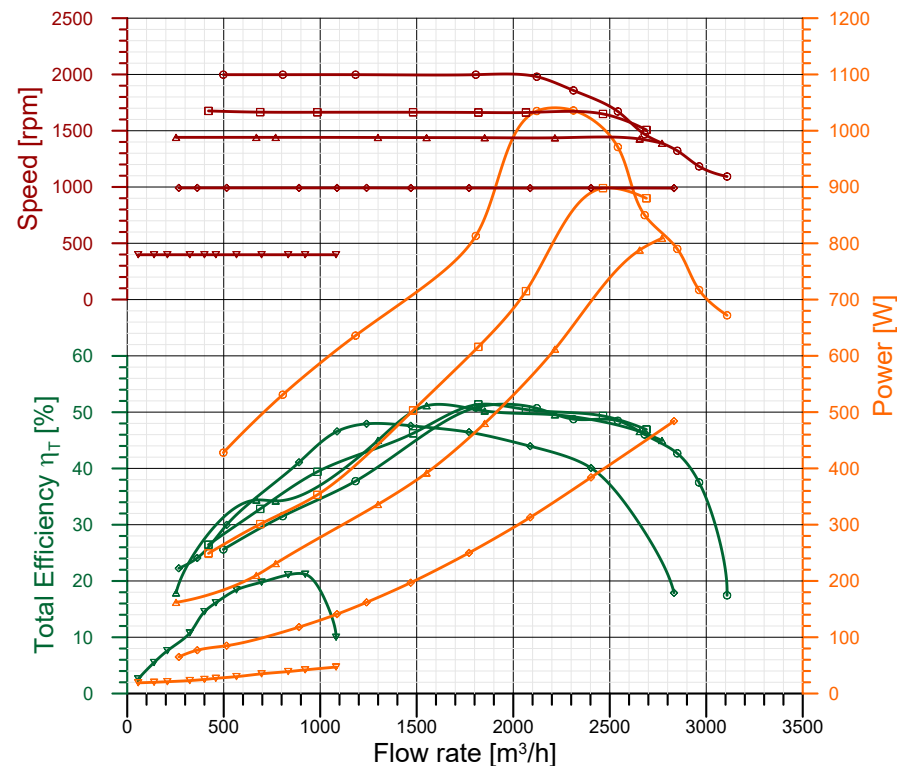
Power:	1036 W (input, max)	Protection Cl.:	IP 54 (Motor)
Poles:	8	Insulation Cl.:	F
Voltage:	220-240 V	Thermal prot.:	YES-Integral
Supply:	1~	Temp. Min.:	-20 °C
Frequency:	50-60 Hz	Temp. Max.:	+40 °C
Capacitor:	n.a.	Current Max.:	4.51 A

Performance data referring to:
Standard air density $\rho = 1.20 \text{ kg / m}^3$
Installation type "B": free inlet, ducted outlet
Sound Power Levels shown are
Inlet-side $L_{WA}(B, in+cas)$, A-weighted, in dBA

Integral speed-control by On-board Driver 1431A5



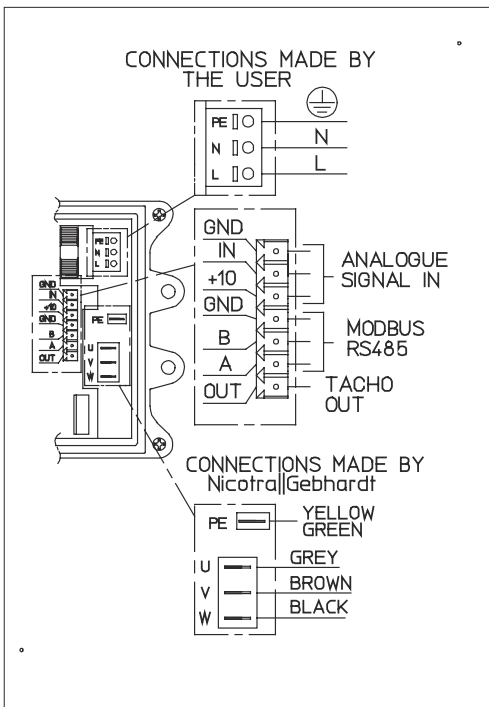
	qv m³/h	pfs Pa	Pe W	n rpm	I A	η_T %
○ Maximum performance curve (10 V)						
A	1183	713	636	1998	2.77	37.8
B	1806	785	813	1998	3.53	50.8
C	2312	721	1036	1858	4.51	48.8
D	2681	436	850	1468	3.69	46.0
□ Performance at 1600 rpm						
A	985	498	353	1664	1.51	39.4
B	1481	538	503	1664	2.17	46.3
C	2066	576	715	1662	3.10	50.5
D	2690	463	880	1507	3.82	46.9
△ Performance at 1400 rpm						
A	769	363	231	1441	1.00	34.2
B	1299	398	336	1440	1.45	45.0
C	1852	426	480	1438	2.06	50.2
D	2655	410	788	1427	3.42	46.6
◇ Performance at 1000 rpm						
A	515	174	85	992	0.38	30.0
B	890	187	118	992	0.52	41.1
C	1240	206	162	992	0.70	47.9
D	1771	196	250	991	1.07	46.4
▽ Performance at 400 rpm						
A	208	27	21	398	0.30	7.6
B	324	26	23	398	0.30	10.8
C	459	31	27	398	0.31	16.1
D	696	30	35	398	0.32	19.8



ErP Data acc. to Reg. 327/11/CE Performance referred to the best efficiency duty point

Compl. with Reg. 327/11/EC: Tier II (2015)
Overall Efficiency ($\eta \times C_c$) [%]: 55.6
Measurement category: B
Efficiency category: Total
Efficiency grade N [%]: 62.5
A variable speed drive is integrated with this fan
Manufactured since: 2016
By:
Regal Beloit Italy S.p.A.
Via Modena 18
24040 Ciserano - Italy
Power input [kW]: 0.813
Volume flow rate qv [m³/s]: 0.502
Total Pressure [Pa]: 826
Speed [rpm]: 1998
Specific ratio: 1.008
Information on:
- Disassembly, recycling and disposal at end of life
- Optimal installation, use and maintenance of fans
are freely downloadable from
www.nicotra-gebhardt.com
Testing is carried out with the optional components of the test airway required, according to ISO 5801:2007, for the installation type detailed here on top.

WIRING DIAGRAM

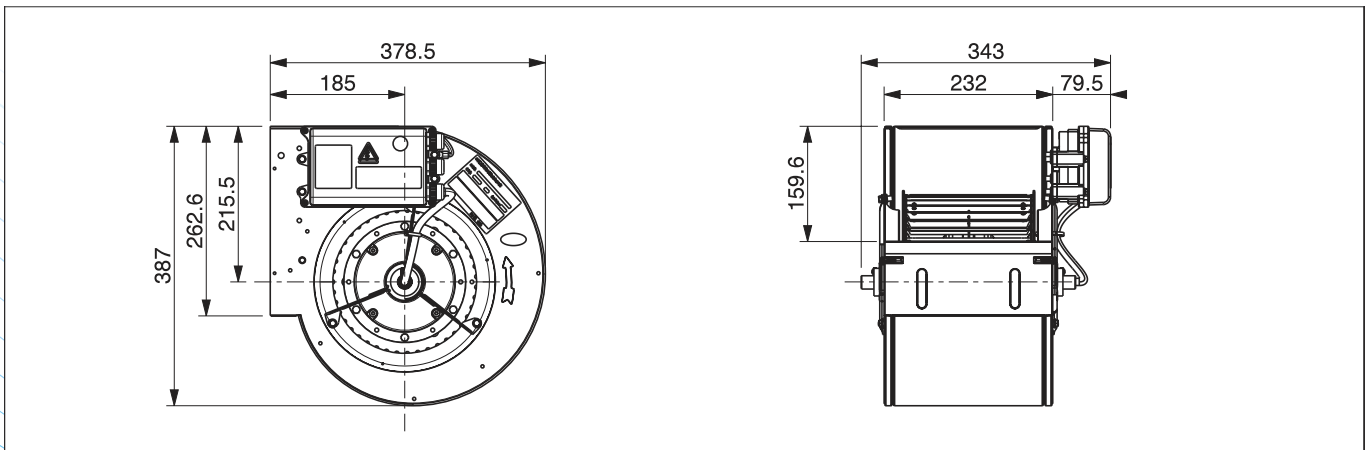


NOISE DATA

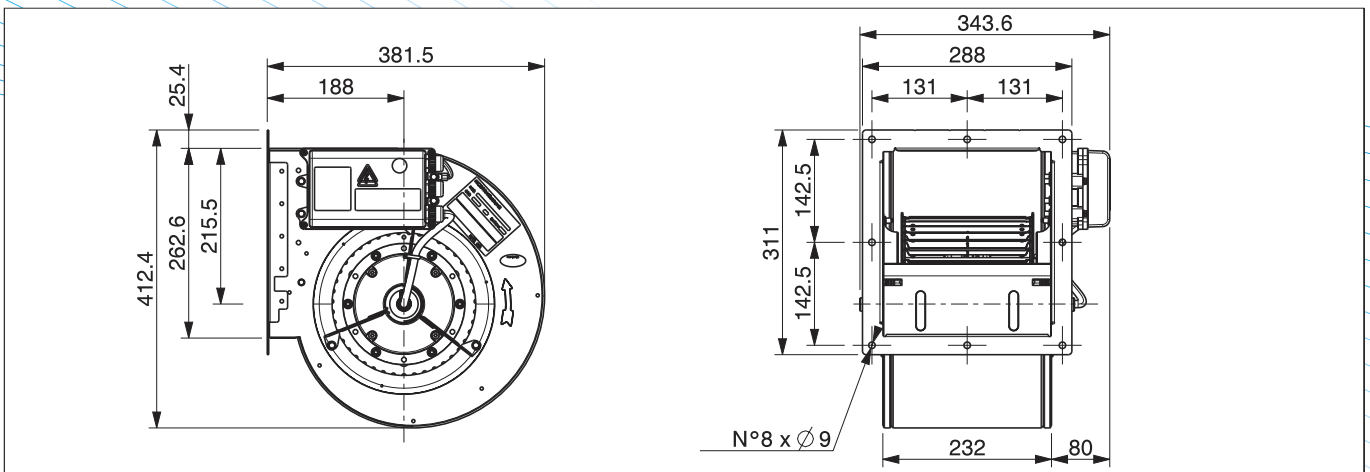
Working point	Sound power level for inlet side (L _w) in dB									
	m ³ /h	63	125	250	500	1k	2k	4k	8kHz	L _{wA}
230 V / 50 Hz	1183	56,4	87,4	87,6	78,3	75,0	74,1	70,7	66,4	83,3
F.M.W.L.	1806	75,7	84,6	87,2	77,6	75,6	74,3	71,3	67,2	83,1
	2312	67,2	79,3	84,8	76,9	77,9	74,6	72,5	68,1	82,9
	2681	67,4	77,5	81,3	75,0	77,1	74,5	71,2	66,1	81,6
230 V / 50 Hz	985	77,5	82,4	83,8	74,7	71,2	70,1	65,6	60,4	79,3
1600 rpm	1481	70,6	80,7	82,9	73,4	72,0	69,9	66,1	61,3	78,8
	2066	62,5	80,8	82,9	75,9	73,6	71,7	68,4	63,4	80,1
	2690	63,9	77,1	82,1	74,8	77,0	74,7	72,1	66,8	81,8
230 V / 50 Hz	769	56,6	79,9	80,2	71,5	67,4	66,8	61,7	55,9	75,9
1400 rpm	1299	65,2	77,2	78,6	70,4	68,2	67,0	62,5	57,2	75,2
	1852	60,3	76,8	79,9	72,6	71,2	69,0	64,9	59,2	77,2
	2655	64,5	78,6	80,9	74,6	76,1	74,1	70,7	65,4	81,0
230 V / 50 Hz	515	65,2	69,0	69,7	62,8	60,3	58,0	50,9	43,4	66,6
1000 rpm	890	58,8	67,4	68,6	62,6	61,2	59,0	52,0	44,5	66,7
	1240	52,6	67,5	71,3	65,0	63,5	61,1	54,5	46,6	69,0
	1771	56,7	68,5	72,0	67,1	66,7	66,4	60,6	53,1	72,2
230 V / 50 Hz	208	N.A.	N.A.	N.A.	N.A.	N.A.	N.A.	N.A.	N.A.	N.A.
400 rpm	324	N.A.	N.A.	N.A.	N.A.	N.A.	N.A.	N.A.	N.A.	N.A.
	459	N.A.	N.A.	N.A.	N.A.	N.A.	N.A.	N.A.	N.A.	N.A.
	696	N.A.	N.A.	N.A.	N.A.	N.A.	N.A.	N.A.	N.A.	N.A.

DIMENSIONAL DRAWINGS

6DA0035ZZ0000000 - DDMP 9/7 M6A0 DA5



6DA0035ZZ0000001 - DDMP 9/7 M6A0 DA5+FL



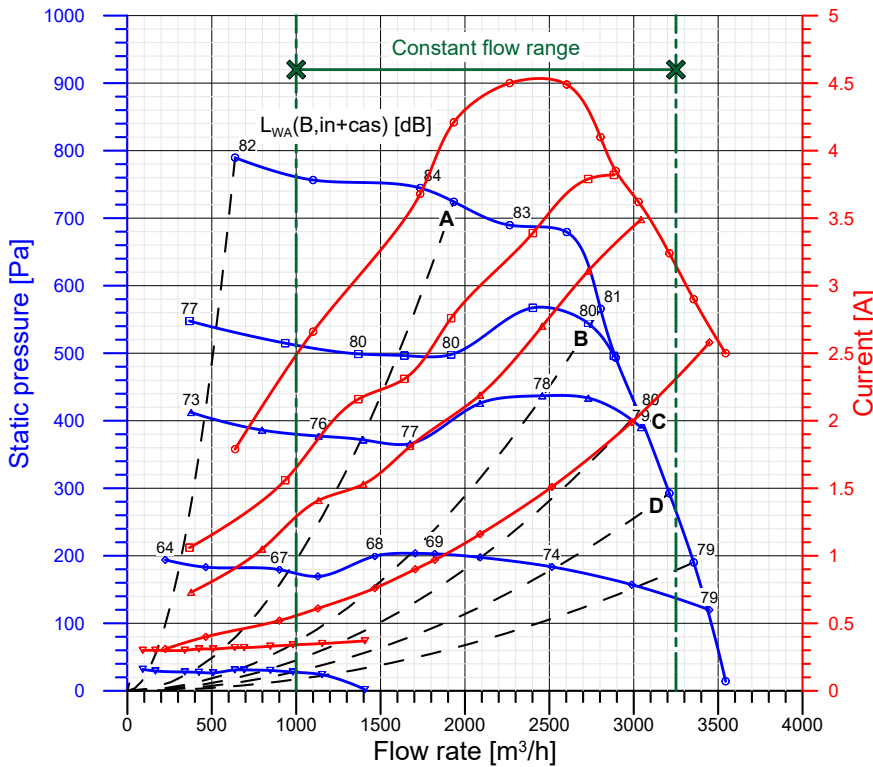
Type: DDMP 9/9 1kW 1Ph Motor: 1416A1+1431A5

Power: 1040 W (input, max)	Protection Cl.: IP 54 (Motor)
Poles: 8	Insulation Cl.: F
Voltage: 220-240 V	Thermal prot.: YES-Integral
Supply: 1~	Temp. Min: -20 °C
Frequency: 50-60 Hz	Temp. Max: +40 °C
Capacitor: n.a.	Current Max: 4.5 A

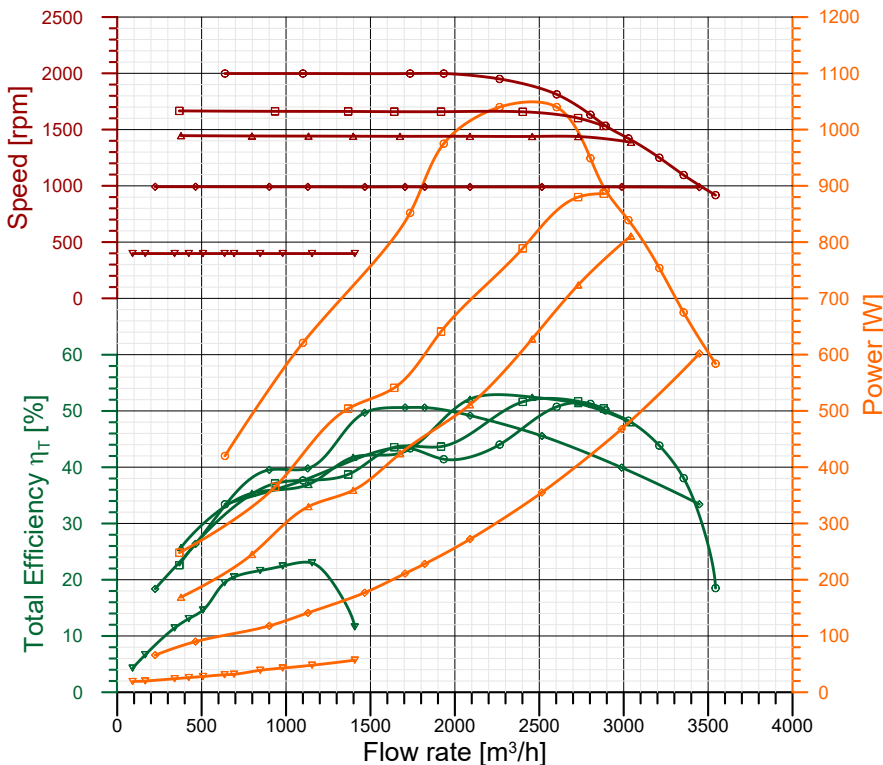
Performance data referring to:
Standard air density $\rho = 1.20 \text{ kg/m}^3$
Installation type "B": free inlet, ducted outlet

Sound Power Levels shown are
Inlet-side $L_{WA}(B, in+cas)$, A-weighted, in dBA

Integral speed-control by On-board Driver 1431A5



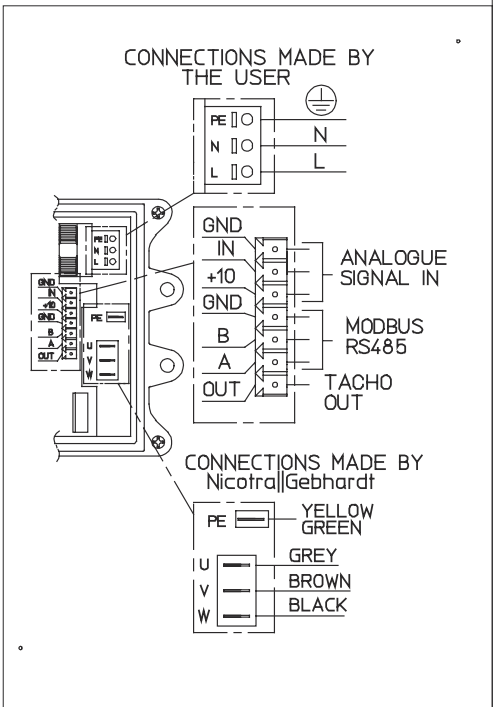
	qv m³/h	pfs Pa	Pe W	n rpm	I A	η_T %
○ Maximum performance curve (10 V)						
A	1934	724	975	1998	4.21	41.4
B	2803	566	949	1632	4.10	51.3
C	3028	412	839	1421	3.62	48.3
D	3211	292	754	1250	3.24	43.9
□ Performance at 1600 rpm						
A	1641	496	541	1659	2.31	43.6
B	2730	544	880	1602	3.79	51.7
C	n.a.	n.a.	n.a.	n.a.	n.a.	n.a.
D	n.a.	n.a.	n.a.	n.a.	n.a.	n.a.
△ Performance at 1440 rpm						
A	1398	372	359	1441	1.53	41.8
B	2458	437	628	1439	2.70	52.5
C	3043	390	811	1387	3.49	47.9
D	n.a.	n.a.	n.a.	n.a.	n.a.	n.a.
◇ Performance at 990 rpm						
A	901	179	118	991	0.52	39.5
B	1705	204	211	991	0.90	50.6
C	2090	198	272	990	1.16	49.2
D	2515	184	355	990	1.51	45.6
▽ Performance at 400 rpm						
A	424	27	26	398	0.31	13.1
B	692	31	32	398	0.32	20.5
C	847	30	39	398	0.33	21.6
D	980	28	43	398	0.34	22.4



ErP Data acc. to Reg. 327/11/CE Performance referred to the best efficiency duty point

Compl. with Reg. 327/11/EC: Tier II (2015)
Overall Efficiency ($\eta_T \times C_c$) [%]: 55.9
Measurement category: B
Efficiency category: Total
Efficiency grade N [%]: 62.4
A variable speed drive is integrated with this fan
Manufactured since: 2016
By: *Regal Beloit Italy S.p.A.*
Via Modena 18
24040 Ciserano - Italy
Power input [kW]: 0.949
Volume flow rate qv [m³/s]: 0.779
Total Pressure [Pa]: 625
Speed [rpm]: 1632
Specific ratio: 1.006
Information on:
- Disassembly, recycling and disposal at end of life
- Optimal installation, use and maintenance of fans
are freely downloadable from
www.nicotra-gebhardt.com
Testing is carried out with the optional components of the test airway required, according to ISO 5801:2007, for the installation type detailed here on top.

WIRING DIAGRAM

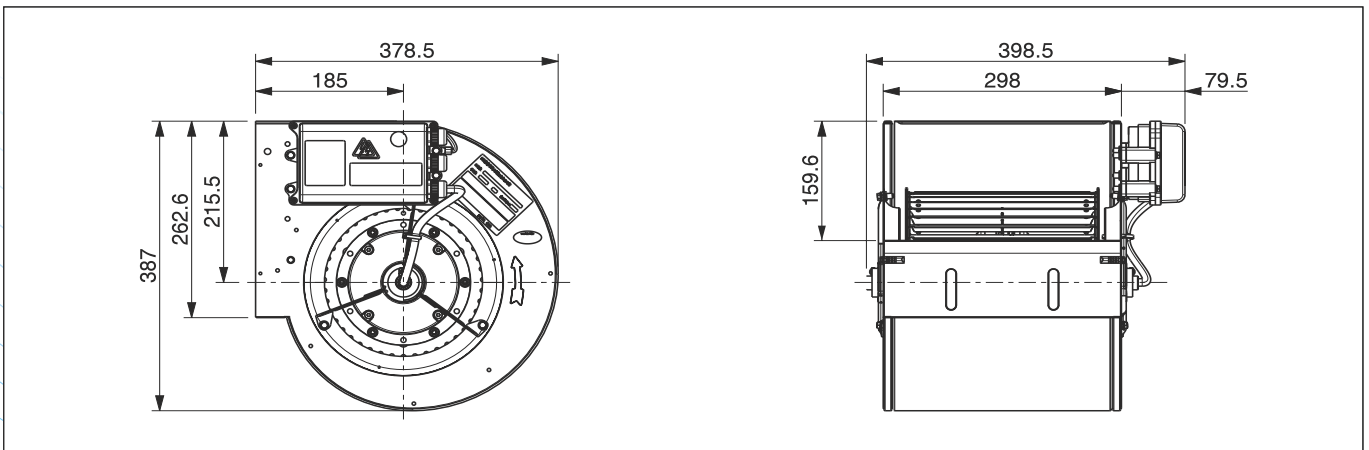


NOISE DATA

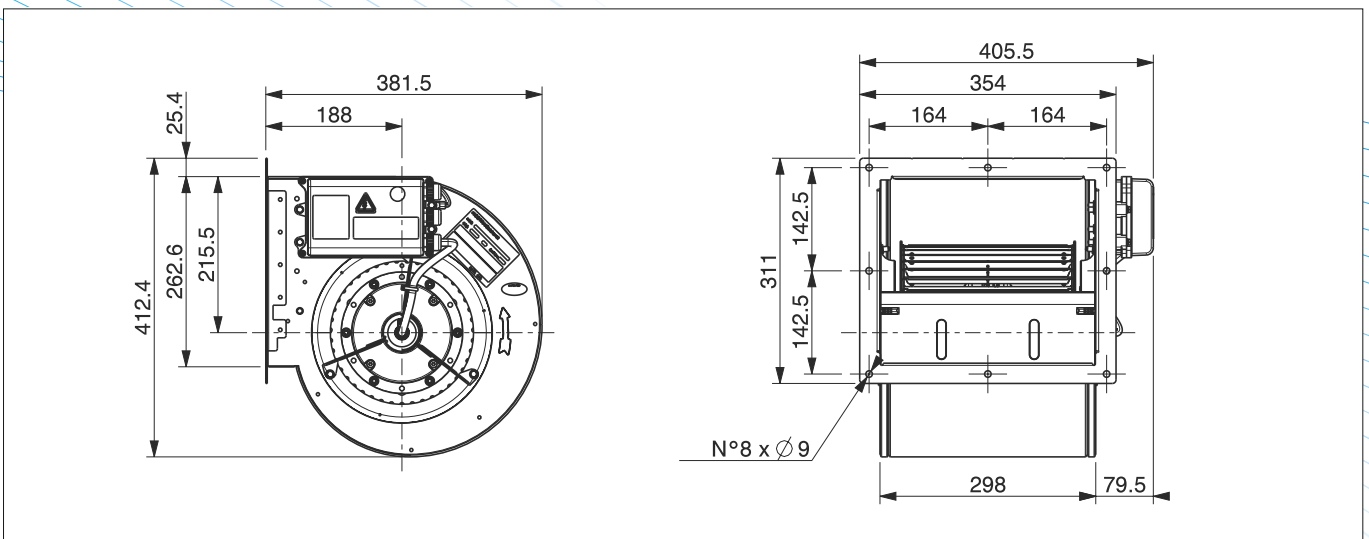
Working point	Sound power level for inlet side (Lw) in dB									
	m ³ /h	63	125	250	500	1k	2k	4k	8kHz	LwA
230 V / 50 Hz	1934	85,0	89,4	89,6	77,3	75,3	74,6	71,8	65,4	84,4
F.M.W.L.	2803	69,8	79,5	84,1	75,0	74,8	72,3	70,7	62,7	80,9
	3028	68,2	78,4	82,8	72,5	73,4	72,7	67,6	61,3	79,6
	3211	67,5	78,6	81,0	72,6	73,8	73,3	67,9	62,1	79,5
230 V / 50 Hz	1641	78,2	85,2	84,8	73,3	70,5	70,1	69,8	60,7	80,0
1600 rpm	2730	67,1	79,7	83,3	73,0	72,7	72,0	70,4	62,4	79,8
	N.A.	N.A.	N.A.	N.A.	N.A.	N.A.	N.A.	N.A.	N.A.	N.A.
	N.A.	N.A.	N.A.	N.A.	N.A.	N.A.	N.A.	N.A.	N.A.	N.A.
230 V / 50 Hz	1398	83,1	82,5	81,2	69,4	67,3	66,8	60,7	54,0	76,2
1440 rpm	2458	67,5	78,1	81,7	71,7	70,7	70,0	63,9	57,8	77,7
	3043	69,0	78,3	82,2	71,9	73,2	72,8	67,6	61,4	79,4
	N.A.	N.A.	N.A.	N.A.	N.A.	N.A.	N.A.	N.A.	N.A.	N.A.
230 V / 50 Hz	901	60,3	72,8	71,4	60,7	58,9	57,8	48,7	40,7	66,8
990 rpm	1705	62,3	70,6	73,3	63,6	62,2	61,9	53,3	45,7	69,2
	2090	64,6	71,8	75,5	65,6	64,2	65,3	57,5	49,4	71,7
	2515	65,6	73,4	77,3	67,6	66,7	68,1	61,6	53,7	74,2
230 V / 50 Hz	424	N.A.	N.A.	N.A.	N.A.	N.A.	N.A.	N.A.	N.A.	N.A.
400 rpm	692	N.A.	N.A.	N.A.	N.A.	N.A.	N.A.	N.A.	N.A.	N.A.
	847	N.A.	N.A.	N.A.	N.A.	N.A.	N.A.	N.A.	N.A.	N.A.
	980	N.A.	N.A.	N.A.	N.A.	N.A.	N.A.	N.A.	N.A.	N.A.

DIMENSIONAL DRAWINGS

6DA0055ZZ0000000 - DDMP 9/9 M6A1 DA5



6DA0055ZZ00000001 - DDMP 9/9 M6A1 DA5+FL



Type: DDMP 10/8 1kW 1Ph Motor: 1416A2+1431A5

Power: 1036 W (input, max) Protection Cl.: IP 54 (Motor)
 Poles: 8 Insulation Cl.: F
 Voltage: 220-240 V Thermal prot.: YES-Integral
 Supply: 1~ Temp. Min: -20 °C
 Frequency: 50-60 Hz Temp. Max: +40 °C
 Capacitor: n.a. Current Max: 4.51 A

Performance data referring to:
 Standard air density $\rho = 1.20 \text{ kg/m}^3$
 Installation type "B": free inlet, ducted outlet

Sound Power Levels shown are
 Inlet-side $L_{WA}(B, in+cas)$, A-weighted, in dBA

Integral speed-control by On-board Driver 1431A5

	qv m3/h	pfs Pa	Pe W	n rpm	I A	η_T %
○ Maximum performance curve (10 V)						
A	2229	786	1036	1741	4.51	49.3
B	2979	605	1031	1459	4.49	54.1
C	3253	520	1025	1357	4.46	53.1
D	3632	383	989	1208	4.31	49.6
□ Performance at 1500 rpm						
A	1811	552	633	1491	2.74	45.9
B	2945	616	1034	1473	4.51	54.1
C	n.a.	n.a.	n.a.	n.a.	n.a.	n.a.
D	n.a.	n.a.	n.a.	n.a.	n.a.	n.a.
△ Performance at 1250 rpm						
A	1610	398	400	1258	1.72	46.8
B	2588	445	661	1256	2.86	54.1
C	3018	441	805	1255	3.49	53.4
D	3560	414	1005	1242	4.38	50.6
◇ Performance at 1020 rpm						
A	1209	255	217	1022	0.94	41.3
B	2105	291	362	1022	1.56	52.6
C	2454	290	436	1021	1.88	52.7
D	2999	273	573	1019	2.49	50.0
▽ Performance at 400 rpm						
A	478	36	34	398	0.32	14.8
B	785	42	41	398	0.34	24.5
C	920	41	45	398	0.35	27.1
D	1112	38	51	398	0.36	28.9

ErP Data acc. to Reg. 327/11/CE

Performance referred to the best efficiency duty point

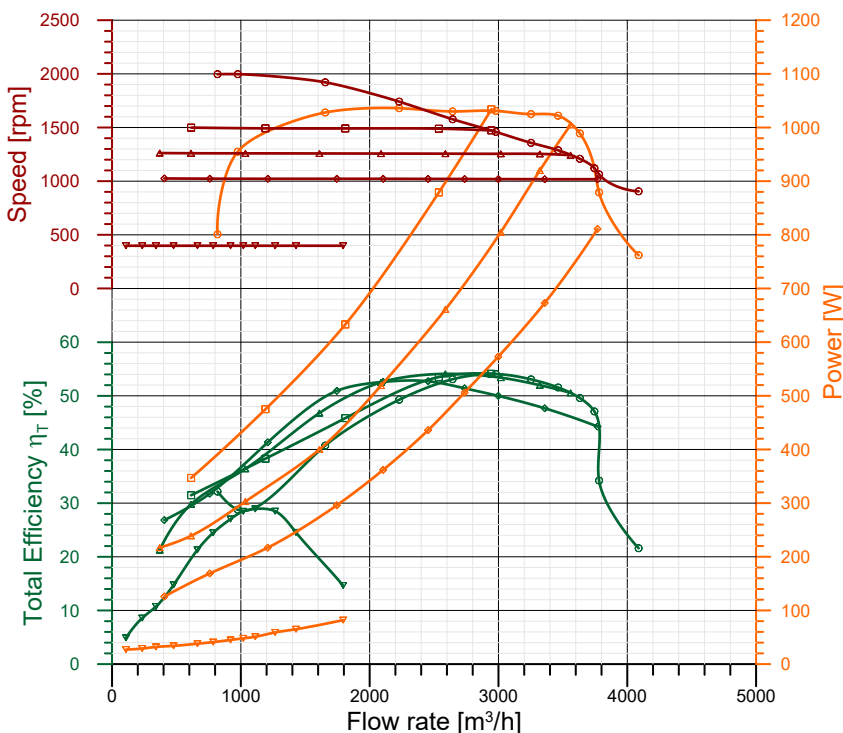
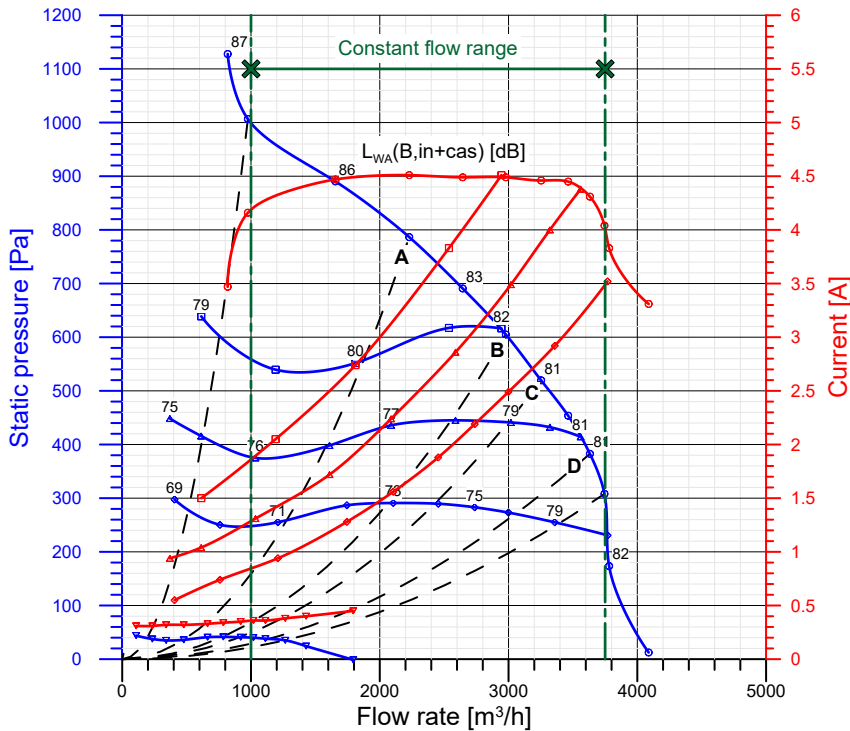
Compl. with Reg. 327/11/EC: Tier II (2015)
 Overall Efficiency ($\eta_T \times Cc$) [%]: 58.8
 Measurement category: B
 Efficiency category: Total
 Efficiency grade N [%]: 65.0
 A variable speed drive is integrated with this fan
 Manufactured since: 2016
 By:
 Regal Beloit Italy S.p.A.
 Via Modena 18
 24040 Ciserano - Italy
 Power input [kW]: 1.031
 Volume flow rate qv [m³/s]: 0.828
 Total Pressure [Pa]: 675
 Speed [rpm]: 1459
 Specific ratio: 1.007

Information on:

- Disassembly, recycling and disposal at end of life
- Optimal installation, use and maintenance of fans

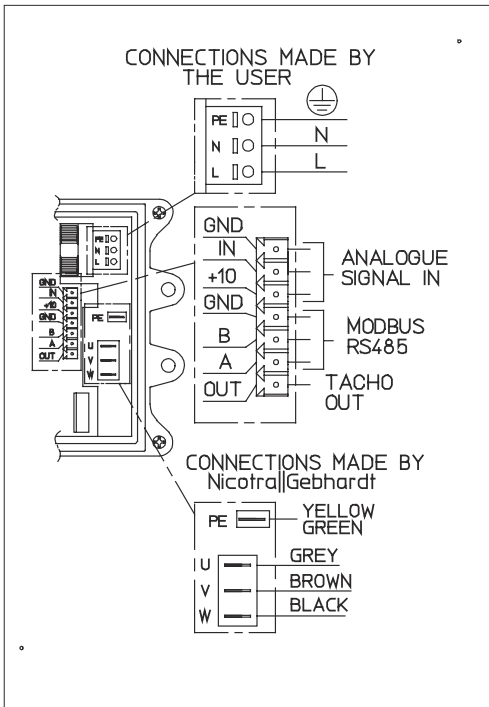
are freely downloadable from
www.nicotra-gebhardt.com

Testing is carried out with the optional components of the test airway required, according to ISO 5801:2007, for the installation type detailed here on top.



Test nr.: S4917-000/2/3/4/6

WIRING DIAGRAM

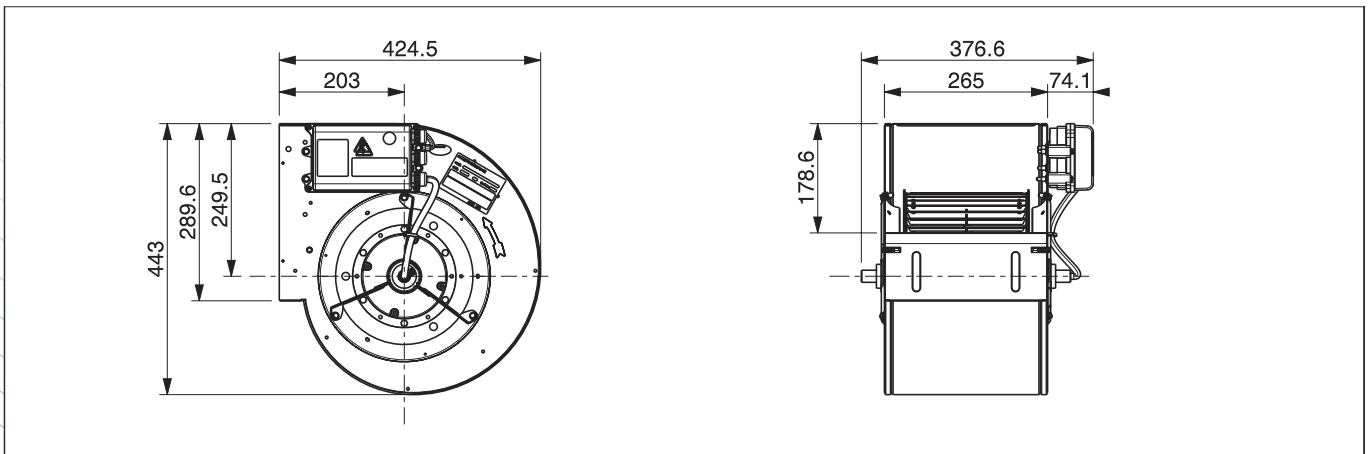


NOISE DATA

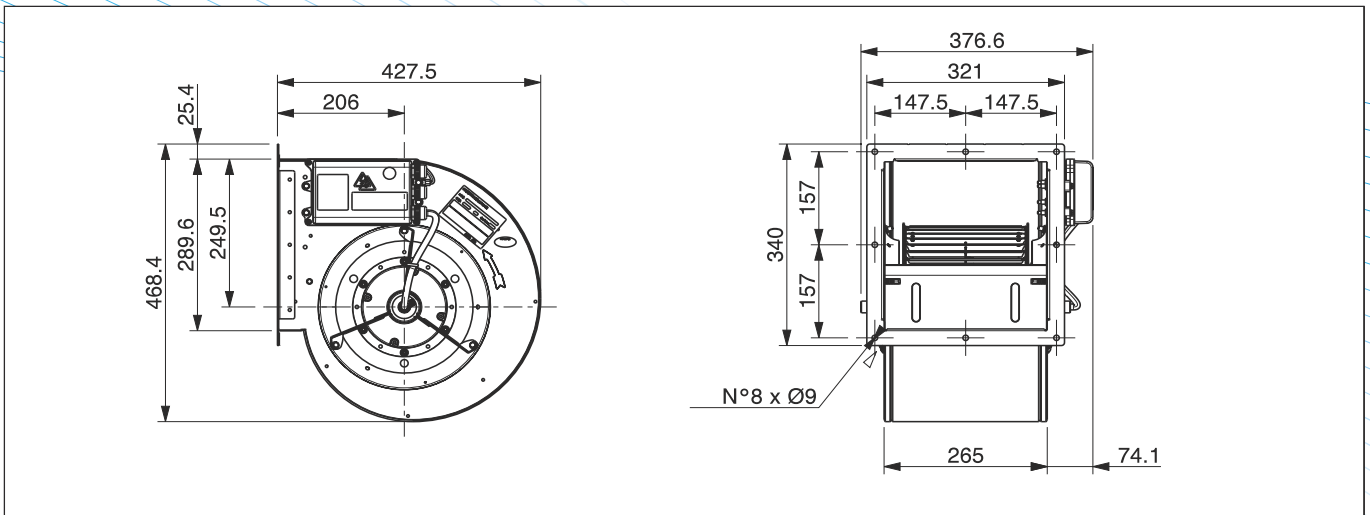
Working point	m ³ /h	Sound power level for inlet side (L _w) in dB								L _{wA}
		63	125	250	500	1k	2k	4k	8kHz	
230 V / 50 Hz	2229	80,5	89,6	89,2	75,9	75,8	73,9	71,0	66,0	84,0
F.M.W.L.	2979	69,6	80,8	84,7	74,5	76,9	72,4	70,3	65,2	81,7
	3253	69,0	80,9	83,1	73,8	75,6	72,8	70,2	65,4	80,8
	3632	71,0	80,1	81,9	72,8	76,6	74,3	71,4	66,0	81,3
230 V / 50 Hz	1811	75,0	85,8	84,7	72,7	72,3	70,3	68,1	63,7	80,1
1500 rpm	2945	70,4	81,3	84,3	74,1	77,2	72,2	69,8	65,3	81,5
	N.A.	N.A.	N.A.	N.A.	N.A.	N.A.	N.A.	N.A.	N.A.	N.A.
	N.A.	N.A.	N.A.	N.A.	N.A.	N.A.	N.A.	N.A.	N.A.	N.A.
230 V / 50 Hz	1610	72,4	81,5	80,9	70,4	68,5	66,5	62,8	55,7	76,3
1250 rpm	2588	65,9	79,5	80,0	72,7	71,8	68,9	65,9	60,2	77,5
	3018	67,4	79,0	80,0	73,3	73,6	71,2	68,8	63,4	78,9
	3560	68,7	78,8	80,8	73,7	75,7	74,0	70,8	65,6	80,7
230 V / 50 Hz	1209	68,8	75,4	74,5	65,6	63,3	62,0	56,7	49,0	70,6
1020 rpm	2105	45,7	74,8	76,1	67,9	66,5	64,5	60,1	52,7	72,8
	2454	63,5	73,4	75,7	68,7	68,4	66,7	62,1	55,2	73,9
	2999	68,5	76,4	77,0	70,3	72,3	70,4	65,8	59,8	77,0
230 V / 50 Hz	478	N.A.	N.A.	N.A.	N.A.	N.A.	N.A.	N.A.	N.A.	N.A.
400 rpm	785	N.A.	N.A.	N.A.	N.A.	N.A.	N.A.	N.A.	N.A.	N.A.
	920	N.A.	N.A.	N.A.	N.A.	N.A.	N.A.	N.A.	N.A.	N.A.
	1112	N.A.	N.A.	N.A.	N.A.	N.A.	N.A.	N.A.	N.A.	N.A.

DIMENSIONAL DRAWINGS

6DA0046ZZ0000000 - DDMP 10/8 M6A2



6DA0046ZZ0000001 - DDMP 10/8 M6A2 DA5+FL

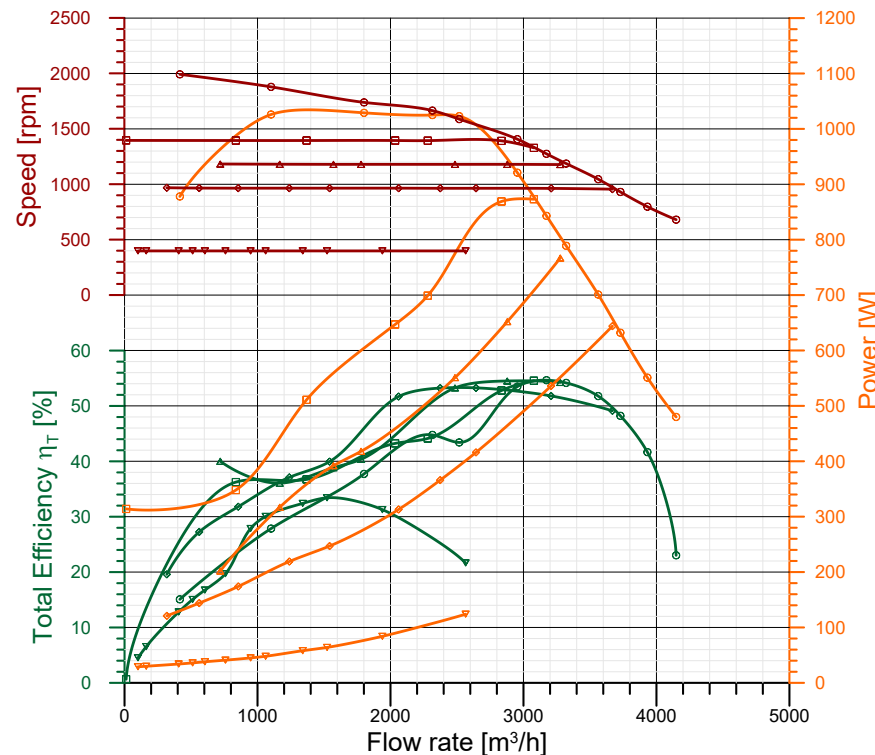
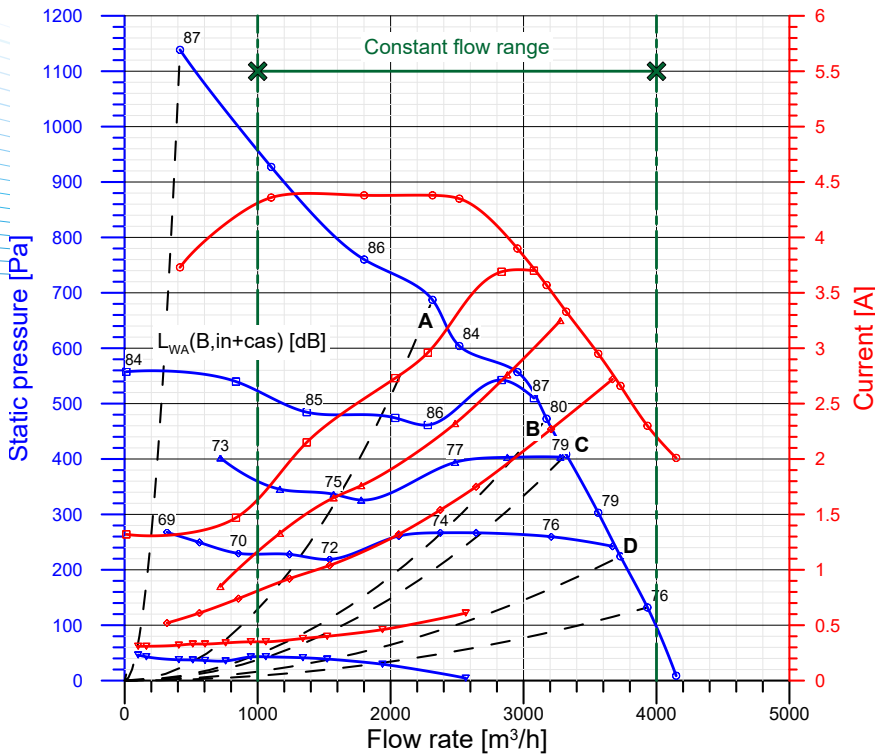


Type: DDMP 10/10 1kW 1Ph Motor: 1416A2+1431A5

Power: 1029 W (input, max) Protection Cl.: IP 54 (Motor)
 Poles: 8 Insulation Cl.: F
 Voltage: 220-240 V Thermal prot.: YES-Integral
 Supply: 1~ Temp. Min: -20 °C
 Frequency: 50-60 Hz Temp. Max: +40 °C
 Capacitor: n.a. Current Max: 4.38 A

Performance data referring to:
 Standard air density $\rho = 1.20 \text{ kg / m}^3$
 Installation type "B": free inlet, ducted outlet

Sound Power Levels shown are
 Inlet-side $L_{WA}(B, in+cas)$, A-weighted, in dBA



Integral speed-control by On-board Driver 1431A5

	qv m ³ /h	pfs Pa	Pe W	n rpm	I A	η _T %
○ Maximum performance curve (10 V)						
A	2315	687	1025	1664	4.38	44.8
B	3173	473	843	1274	3.57	54.7
C	3321	408	789	1186	3.33	54.2
D	3729	224	632	930	2.66	48.2
□ Performance at 1400 rpm						
A	2035	474	647	1394	2.73	43.2
B	3078	510	873	1328	3.70	54.6
C	n.a.	n.a.	n.a.	n.a.	n.a.	n.a.
D	n.a.	n.a.	n.a.	n.a.	n.a.	n.a.
△ Performance at 1180 rpm						
A	1571	336	392	1179	1.65	38.8
B	2878	403	652	1179	2.76	54.5
C	3277	403	767	1177	3.25	54.3
D	n.a.	n.a.	n.a.	n.a.	n.a.	n.a.
◇ Performance at 960 rpm						
A	1239	228	219	964	0.92	37.1
B	2374	267	366	963	1.54	53.2
C	2643	267	416	963	1.75	53.3
D	3669	242	644	955	2.72	49.1
▽ Performance at 400 rpm						
A	512	37	36	398	0.33	15.1
B	948	43	45	398	0.35	27.9
C	1061	43	48	398	0.35	30.1
D	1523	39	64	398	0.40	33.4

ErP Data acc. to Reg. 327/11/CE

Performance referred to the best efficiency duty point

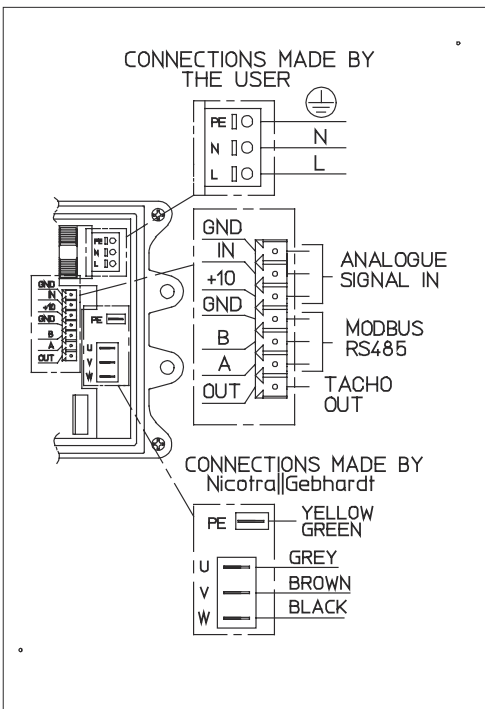
Compl. with Reg. 327/11/EC: Tier II (2015)
 Overall Efficiency ($\eta \times C_c$) [%]: 59.7
 Measurement category: B
 Efficiency category: Total
 Efficiency grade N [%]: 66.5
 A variable speed drive is integrated with this fan
 Manufactured since: 2016
 By:
 Regal Beloit Italy S.p.A.
 Via Modena 18
 24040 Ciserano - Italy
 Power input [kW]: 0.843
 Volume flow rate qv [m³/s]: 0.881
 Total Pressure [Pa]: 524
 Speed [rpm]: 1274
 Specific ratio: 1.005

Information on:
 - Disassembly, recycling and disposal at end of life
 - Optimal installation, use and maintenance of fans
 are freely downloadable from

www.nicotra-gebhardt.com

Testing is carried out with the optional components of the test airway required, according to ISO 5801:2007, for the installation type detailed here on top.

WIRING DIAGRAM

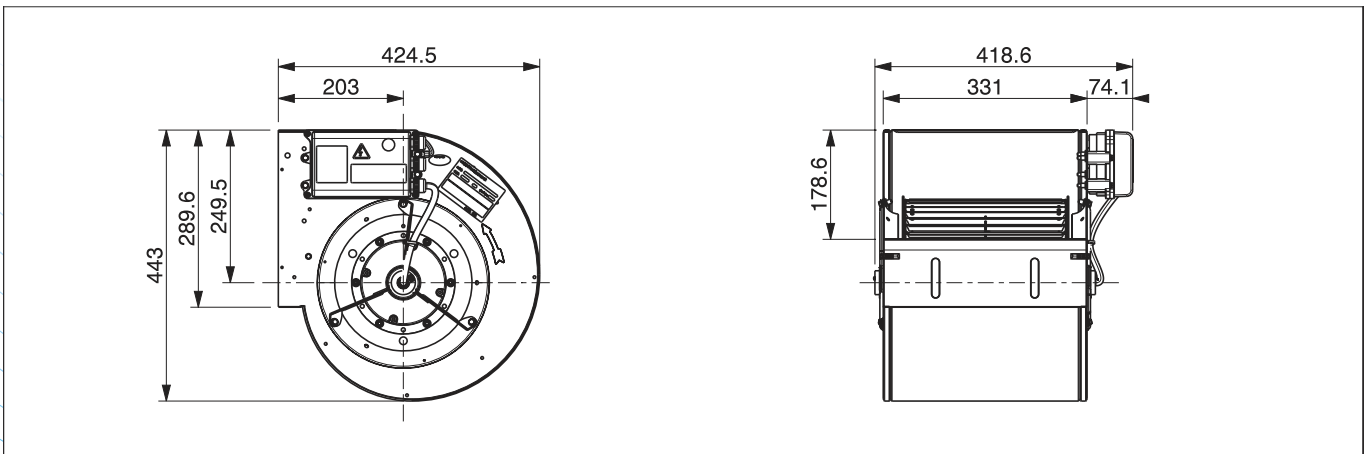


NOISE DATA

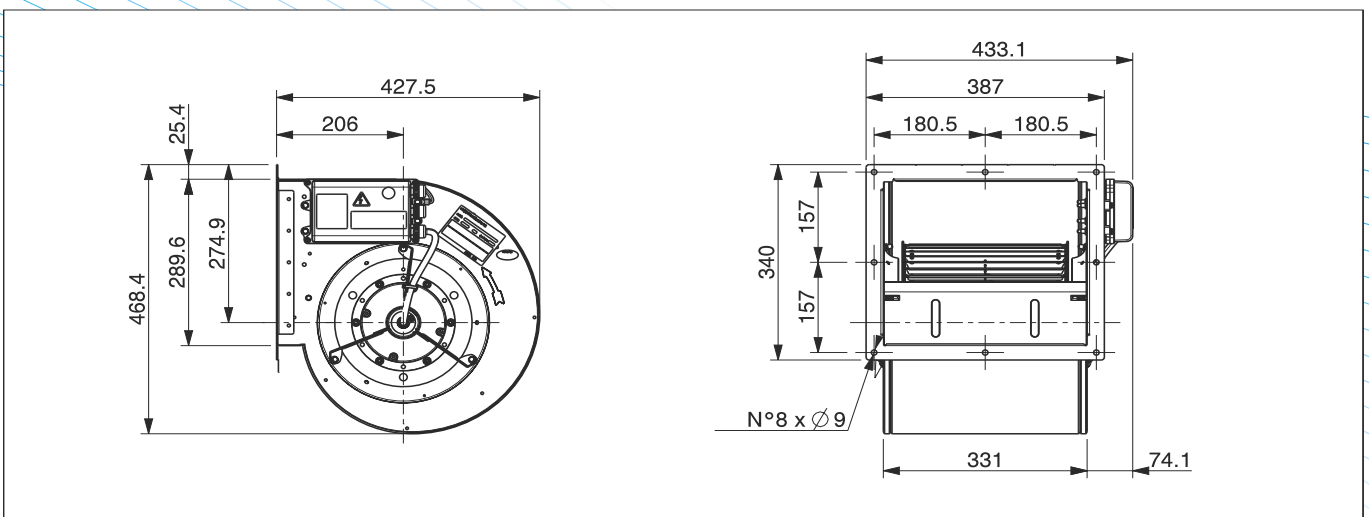
Working point	Sound power level for inlet side (Lw) in dB									
	m ³ /h	63	125	250	500	1k	2k	4k	8kHz	LwA
230 V / 50 Hz	2315	79,0	88,9	91,7	76,0	74,5	73,1	72,7	66,0	85,2
F.M.W.L.	3173	65,2	83,4	85,0	72,0	70,8	68,8	69,2	61,5	79,6
	3321	65,2	79,8	85,3	71,1	69,7	68,8	64,7	58,6	79,0
	3729	71,1	80,1	82,2	68,9	70,5	68,9	65,3	58,4	77,5
230 V / 50 Hz	2035	80,6	81,3	82,0	78,8	78,7	78,5	78,3	80,2	86,0
1400 rpm	3078	81,4	82,1	82,8	79,6	79,5	79,3	79,1	81,0	86,8
	N.A.	N.A.	N.A.	N.A.	N.A.	N.A.	N.A.	N.A.	N.A.	N.A.
	N.A.	N.A.	N.A.	N.A.	N.A.	N.A.	N.A.	N.A.	N.A.	N.A.
230 V / 50 Hz	1571	56,8	81,7	81,1	68,2	66,2	64,9	60,1	52,9	75,5
1180 rpm	2878	57,7	81,3	82,9	70,6	68,6	66,9	63,1	56,8	77,3
	3277	64,0	81,3	85,3	71,3	69,6	68,3	64,4	58,5	79,1
	N.A.	N.A.	N.A.	N.A.	N.A.	N.A.	N.A.	N.A.	N.A.	N.A.
230 V / 50 Hz	1239	65,9	75,5	76,1	63,9	63,4	60,6	54,4	46,4	70,8
960 rpm	2374	58,6	76,4	80,1	65,3	64,3	62,6	57,7	50,2	73,6
	2643	61,1	77,0	81,0	66,3	65,3	63,7	59,0	51,6	74,6
	3669	68,8	79,7	81,1	69,3	70,3	69,0	65,2	58,4	77,0
230 V / 50 Hz	512	N.A.	N.A.	N.A.	N.A.	N.A.	N.A.	N.A.	N.A.	N.A.
400 rpm	948	N.A.	N.A.	N.A.	N.A.	N.A.	N.A.	N.A.	N.A.	N.A.
	1061	N.A.	N.A.	N.A.	N.A.	N.A.	N.A.	N.A.	N.A.	N.A.
	1523	N.A.	N.A.	N.A.	N.A.	N.A.	N.A.	N.A.	N.A.	N.A.

DIMENSIONAL DRAWINGS

6DA0066ZZ0000000 - DDMP 10/10 M6A2 DA5



6DA0066ZZ0000001 - DDMP 10/10 M6A2 DA5+FL



Type: DDMP 9/9 2kW 1Ph Motor: 1416A4+1431A8

Power: 2213 W (input, max) Protection Cl.: IP 54 (Motor)
 Poles: 8 Insulation Cl.: F
 Voltage: 220-240 V Thermal prot.: YES-Integral
 Supply: 1~ Temp. Min: -20 °C
 Frequency: 50-60 Hz Temp. Max: +40 °C
 Capacitor: n.a. Current Max: 9.42 A

Performance data referring to:
 Standard air density $\rho = 1.20 \text{ kg/m}^3$
 Installation type "B": free inlet, ducted outlet

Sound Power Levels shown are
 Inlet-side $L_{WA}(B, in+cas)$, A-weighted, in dBA

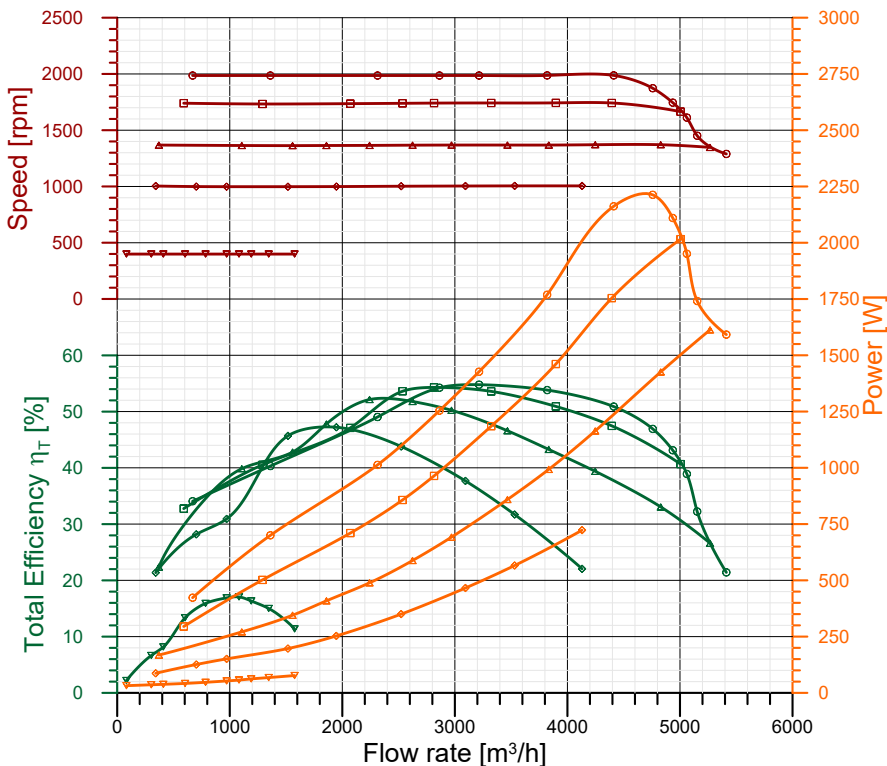
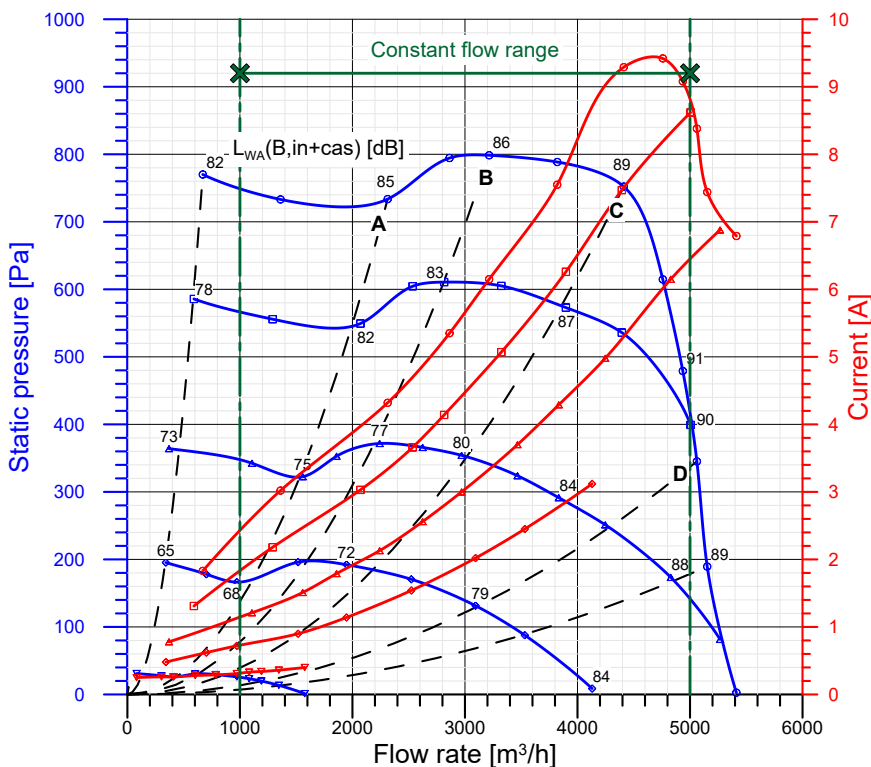
Integral speed-control by On-board Driver 1431A8

	qv m ³ /h	pfs Pa	Pe W	n rpm	I A	η_T %
○ Maximum performance curve (10 V)						
A	2313	734	1013	1986	4.32	49.1
B	3215	799	1427	1986	6.15	54.8
C	4411	752	2162	1987	9.29	50.9
D	5061	345	1951	1612	8.38	38.9
□ Performance at 1740 rpm						
A	2071	549	710	1736	3.03	47.1
B	2815	611	964	1741	4.14	54.3
C	3897	573	1461	1743	6.26	50.9
D	n.a.	n.a.	n.a.	n.a.	n.a.	n.a.
△ Performance at 1370 rpm						
A	1558	322	345	1363	1.51	42.8
B	2242	372	489	1365	2.13	52.2
C	2970	354	692	1368	3.00	50.2
D	4247	251	1164	1371	4.98	39.4
◇ Performance at 1000 rpm						
A	972	166	151	998	0.72	30.9
B	1517	196	197	998	0.90	45.7
C	1947	192	253	999	1.14	47.2
D	3094	131	466	1004	2.02	37.7
▽ Performance at 400 rpm						
A	410	26	38	399	0.26	8.2
B	603	30	42	399	0.28	13.4
C	785	29	47	399	0.29	15.9
D	1191	20	62	399	0.34	16.3

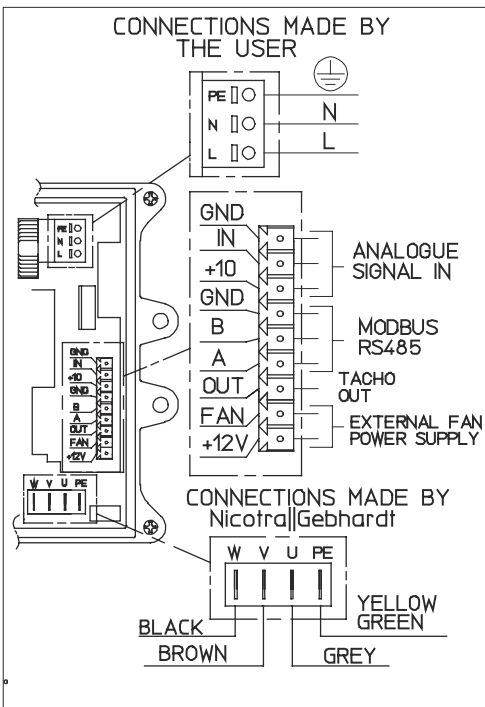
ErP Data acc. to Reg. 327/11/CE

Performance referred to the best efficiency duty point

Compl. with Reg. 327/11/EC: Tier II (2015)
 Overall Efficiency ($\eta_T \times C_c$) [%]: 59.0
 Measurement category: B
 Efficiency category: Total
 Efficiency grade N [%]: 64.4
 A variable speed drive is integrated with this fan
 Manufactured since: 2016
 By:
 Regal Beloit Italy S.p.A.
 Via Modena 18
 24040 Ciserano - Italy
 Power input [kW]: 1.427
 Volume flow rate qv [m³/s]: 0.893
 Total Pressure [Pa]: 877
 Speed [rpm]: 1986
 Specific ratio: 1.009
 Information on:
 - Disassembly, recycling and disposal at end of life
 - Optimal installation, use and maintenance of fans
 are freely downloadable from
www.nicotra-gebhardt.com
 Testing is carried out with the optional
 components of the test airway required,
 according to ISO 5801:2007, for the
 installation type detailed here on top.



WIRING DIAGRAM

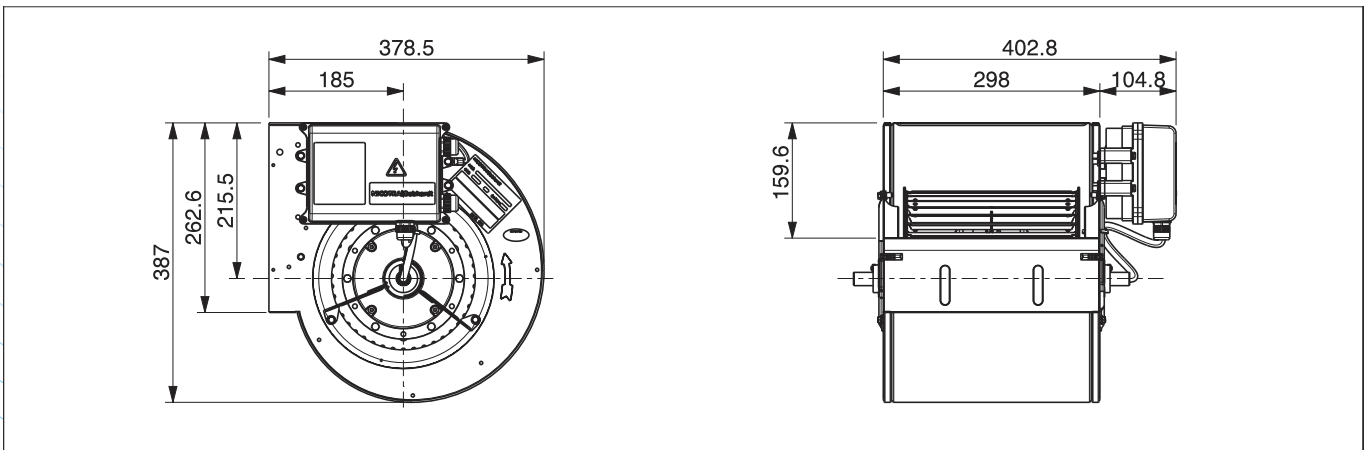


NOISE DATA

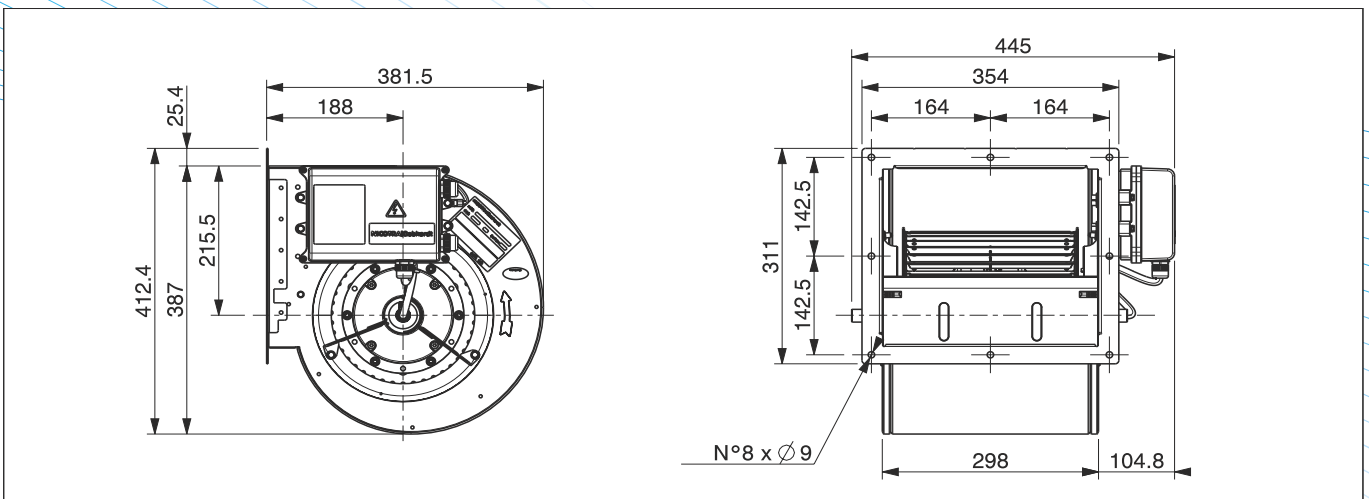
Working point	Sound power level for inlet side (Lw) in dB									
	m ³ /h	63	125	250	500	1k	2k	4k	8kHz	LwA
230 V / 50 Hz	2313	80,9	86,1	89,5	81,3	75,2	75,0	73,9	66,6	85,0
F.M.W.L.	3215	73,5	84,0	90,5	82,6	77,3	77,5	74,8	68,9	86,3
	4411	74,5	83,9	91,6	86,6	81,4	82,4	77,1	73,6	89,4
	5061	79,0	84,3	90,4	85,5	82,9	83,4	79,2	76,7	89,8
230 V / 50 Hz	2071	82,8	84,0	85,9	75,1	72,9	72,2	73,6	64,3	81,8
1740 rpm	2815	82,1	82,7	86,3	77,3	75,9	74,1	73,2	65,6	82,9
	3897	79,6	82,8	90,8	81,0	80,4	78,8	74,2	69,9	86,8
	N.A.	N.A.	N.A.	N.A.	N.A.	N.A.	N.A.	N.A.	N.A.	N.A.
230 V / 50 Hz	1558	79,4	80,7	79,2	69,0	66,9	66,6	59,6	51,8	75,0
1370 rpm	2242	71,6	78,2	81,0	70,4	69,3	69,0	63,1	56,5	76,7
	2970	70,6	78,1	81,7	74,1	73,2	72,8	67,8	62,0	79,5
	4247	77,3	83,4	88,1	78,2	79,6	79,8	75,2	71,8	86,0
230 V / 50 Hz	972	73,8	73,8	71,2	63,3	60,6	59,6	50,0	40,3	67,9
1000 rpm	1517	66,6	74,5	72,3	64,2	61,9	61,4	53,1	44,3	69,1
	1947	70,8	73,9	74,9	66,3	64,5	64,4	57,0	49,0	71,5
	3094	75,7	77,9	80,1	72,4	72,4	72,6	67,8	61,5	78,7
230 V / 50 Hz	410	N.A.	N.A.	N.A.	N.A.	N.A.	N.A.	N.A.	N.A.	N.A.
400 rpm	603	N.A.	N.A.	N.A.	N.A.	N.A.	N.A.	N.A.	N.A.	N.A.
	785	N.A.	N.A.	N.A.	N.A.	N.A.	N.A.	N.A.	N.A.	N.A.
	1191	N.A.	N.A.	N.A.	N.A.	N.A.	N.A.	N.A.	N.A.	N.A.

DIMENSIONAL DRAWINGS

6DB0055ZZ0000000 - DDMP 9/9 M6A4 DA8



6DB0055ZZ00000001 - DDMP 9/9 M6A4 DA8+FL

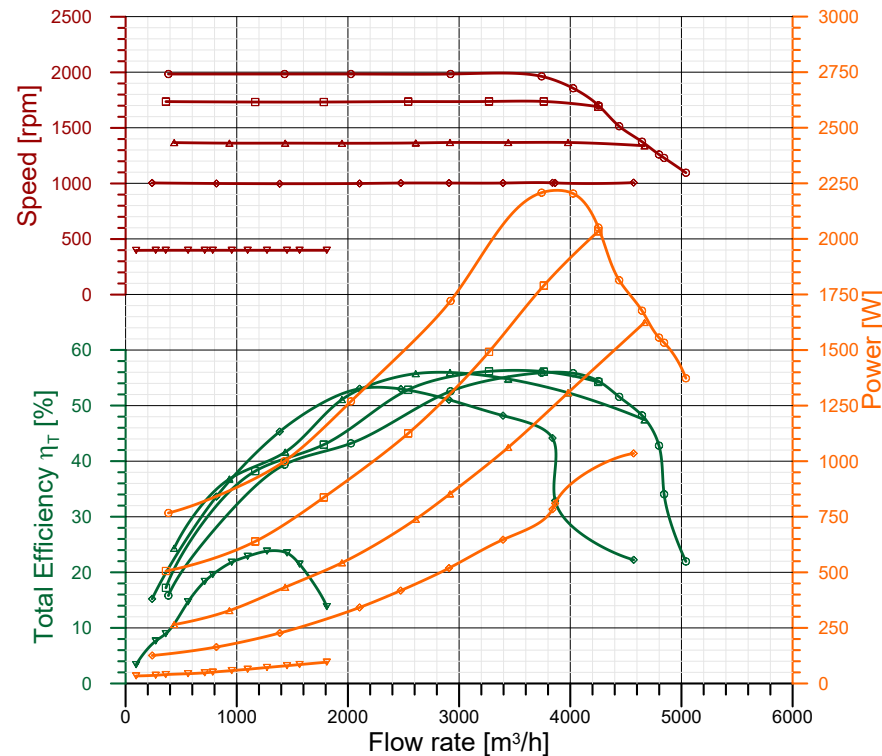
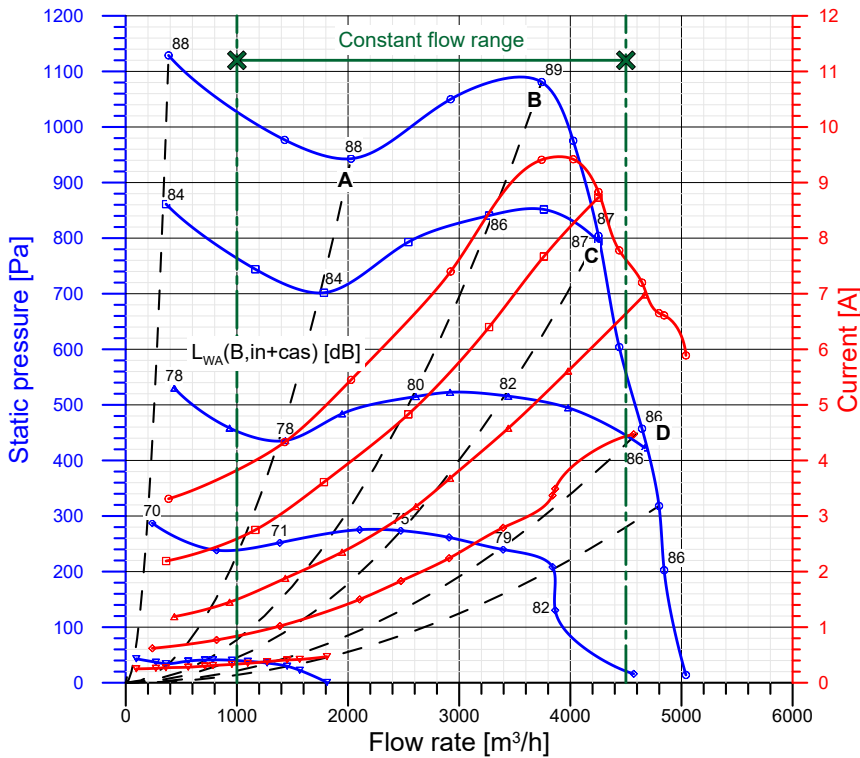


Type: DDMP 10/8 2kW 1Ph Motor: 1416A4+1431A8

Power:	2208 W (input, max)	Protection Cl.:	IP 54 (Motor)
Poles:	8	Insulation Cl.:	F
Voltage:	220-240 V	Thermal prot.:	YES-Integral
Supply:	1~	Temp. Min:	-20 °C
Frequency:	50-60 Hz	Temp. Max:	+40 °C
Capacitor:	n.a.	Current Max:	9.42 A

Performance data referring to:
Standard air density $\rho = 1.20 \text{ kg/m}^3$
Installation type "B": free inlet, ducted outlet

Sound Power Levels shown are
Inlet-side $L_{WA}(B, in+cas)$, A-weighted, in dBA



Integral speed-control by On-board Driver 1431A8

	qv m ³ /h	pfs Pa	Pe W	n rpm	I A	η _T %
○ Maximum performance curve (10 V)						
A	2027	943	1269	1985	5.45	43.2
B	3742	1081	2208	1964	9.41	55.9
C	4253	804	2051	1703	8.83	54.4
D	4645	457	1677	1376	7.20	48.2
□ Performance at 1730 rpm						
A	1783	702	837	1733	3.61	43.0
B	3269	841	1492	1738	6.40	56.2
C	4252	794	2034	1691	8.73	54.2
D	n.a.	n.a.	n.a.	n.a.	n.a.	n.a.
△ Performance at 1370 rpm						
A	1436	436	433	1363	1.88	41.6
B	2610	515	739	1365	3.17	55.7
C	3442	516	1062	1369	4.58	54.8
D	4668	423	1624	1339	6.98	47.4
◇ Performance at 1000 rpm						
A	817	238	164	1000	0.77	33.6
B	2105	275	342	1000	1.50	53.0
C	2475	274	418	1004	1.83	53.0
D	3395	240	647	1004	2.79	48.2
▽ Performance at 400 rpm						
A	361	34	40	399	0.27	9.0
B	712	41	48	399	0.30	18.4
C	955	40	58	399	0.33	21.8
D	1272	35	72	399	0.38	23.8

ErP Data acc. to Reg. 327/11/CE

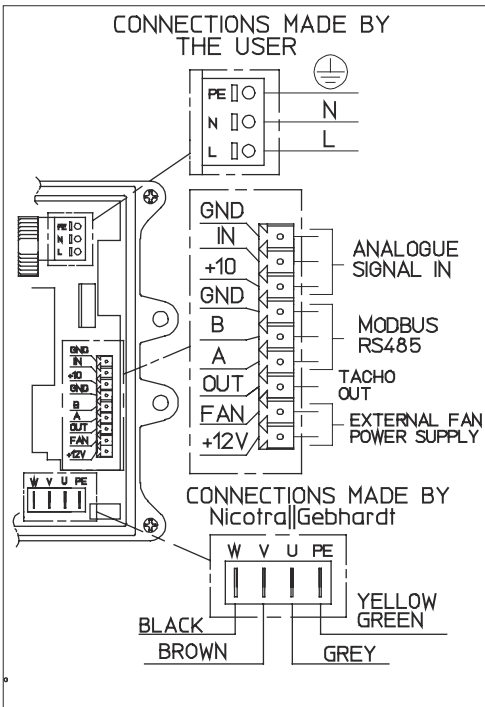
Performance referred to the best efficiency duty point

Compl. with Reg. 327/11/CE: Tier II (2015)
Overall Efficiency ($\eta \times Cc$) [%]: 59.5
Measurement category: B
Efficiency category: Total
Efficiency grade N [%]: 63.7
A variable speed drive is integrated with this fan
Manufactured since: 2016
By:
Regal Beloit Italy S.p.A.
Via Modena 18
24040 Ciserano - Italy
Power input [kW]: 2.208
Volume flow rate qv [m³/s]: 1.039
Total Pressure [Pa]: 1191
Speed [rpm]: 1964
Specific ratio: 1.012

Information on:
- Disassembly, recycling and disposal at end of life
- Optimal installation, use and maintenance of fans
are freely downloadable from
www.nicotra-gebhardt.com

Testing is carried out with the optional components of the test airway required, according to ISO 5801:2007, for the installation type detailed here on top.

WIRING DIAGRAM

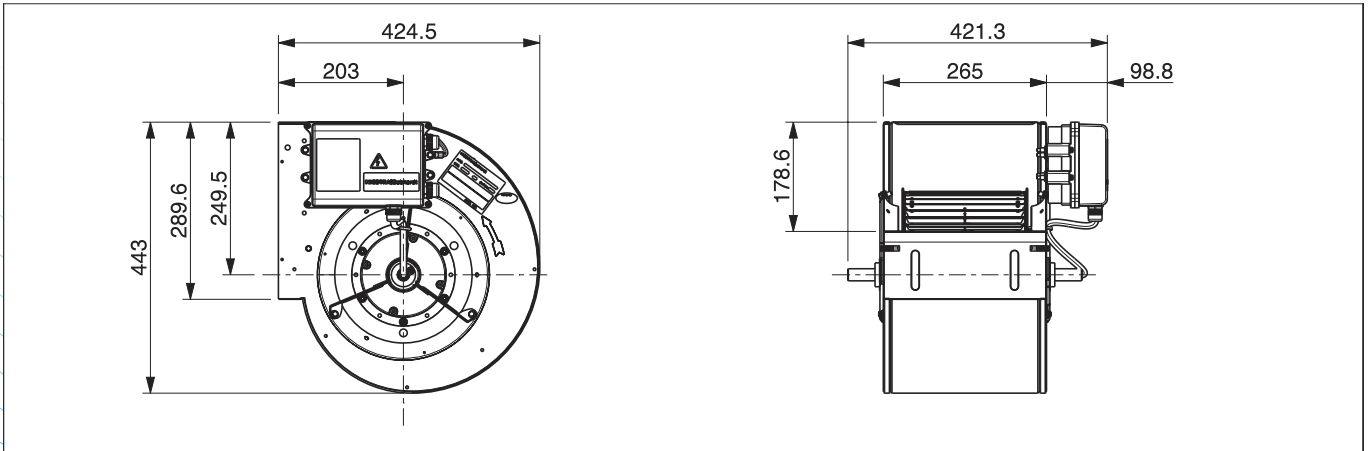


NOISE DATA

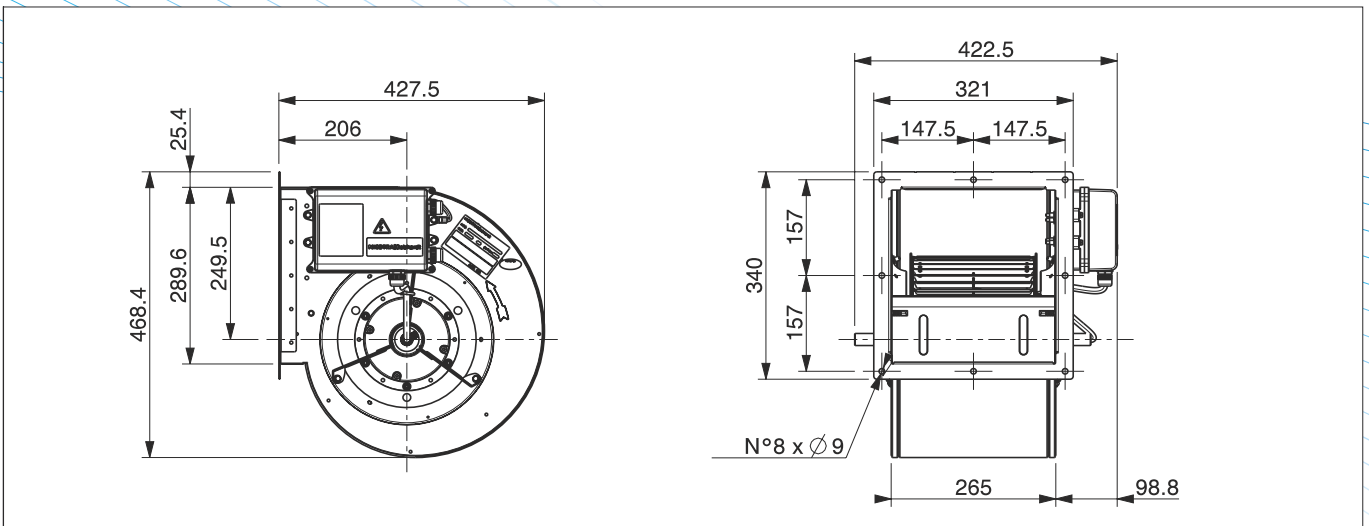
Working point	Sound power level for inlet side (L _w) in dB									
	m ³ /h	63	125	250	500	1k	2k	4k	8kHz	L _{wA}
230 V / 50 Hz	2027	86,0	92,0	92,4	85,7	78,9	78,0	73,4	68,3	88,3
F.M.W.L.	3742	74,3	86,5	90,4	88,1	81,6	80,2	75,9	71,8	89,2
	4253	74,0	81,4	87,9	80,4	82,0	80,1	76,1	72,0	86,9
	4645	75,2	83,5	84,1	77,7	82,0	79,4	76,2	72,3	86,1
230 V / 50 Hz	1783	54,4	90,0	89,2	78,1	76,1	74,2	69,8	64,1	84,3
1730 rpm	3269	75,3	85,3	91,2	79,8	78,8	76,7	72,9	68,5	86,1
	4252	75,3	82,0	88,9	78,7	81,7	79,8	76,0	72,0	86,8
	N.A.	N.A.	N.A.	N.A.	N.A.	N.A.	N.A.	N.A.	N.A.	N.A.
230 V / 50 Hz	1436	79,7	83,9	82,9	72,5	71,1	69,1	64,1	56,6	78,5
1370 rpm	2610	67,1	82,3	82,9	73,6	73,5	71,2	70,2	64,6	79,9
	3442	70,0	82,4	81,2	75,1	77,2	75,0	71,9	66,5	81,9
	4668	76,4	83,3	84,7	78,0	81,8	79,2	75,8	72,3	86,0
230 V / 50 Hz	817	74,5	78,4	74,4	66,8	62,8	61,7	55,1	45,0	71,0
1000 rpm	2105	65,1	74,1	75,4	69,3	67,0	65,4	60,2	51,8	73,2
	2475	67,7	74,3	76,0	70,1	69,8	67,8	62,8	55,3	75,0
	3395	70,5	78,3	78,1	72,4	74,3	72,8	69,0	63,1	79,1
230 V / 50 Hz	361	N.A.	N.A.	N.A.	N.A.	N.A.	N.A.	N.A.	N.A.	N.A.
400 rpm	712	N.A.	N.A.	N.A.	N.A.	N.A.	N.A.	N.A.	N.A.	N.A.
	955	N.A.	N.A.	N.A.	N.A.	N.A.	N.A.	N.A.	N.A.	N.A.
	1272	N.A.	N.A.	N.A.	N.A.	N.A.	N.A.	N.A.	N.A.	N.A.

DIMENSIONAL DRAWINGS

6DB0046ZZ0000000 - DDMP 10/8 M6A4



6DB0046ZZ0000001 - DDMP 10/8 M6A4 DA8+FL



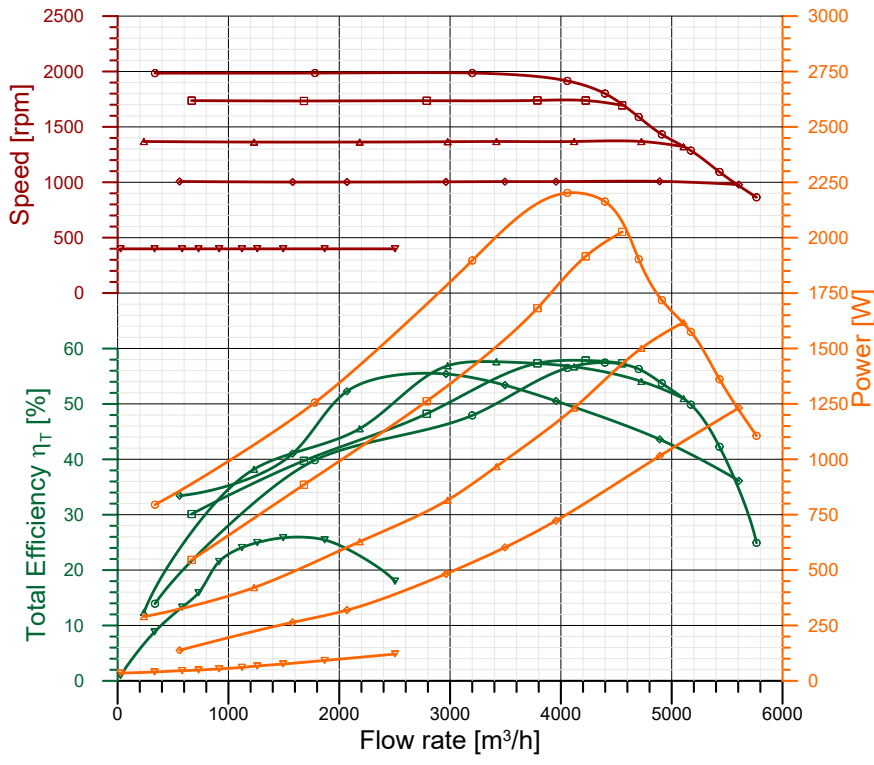
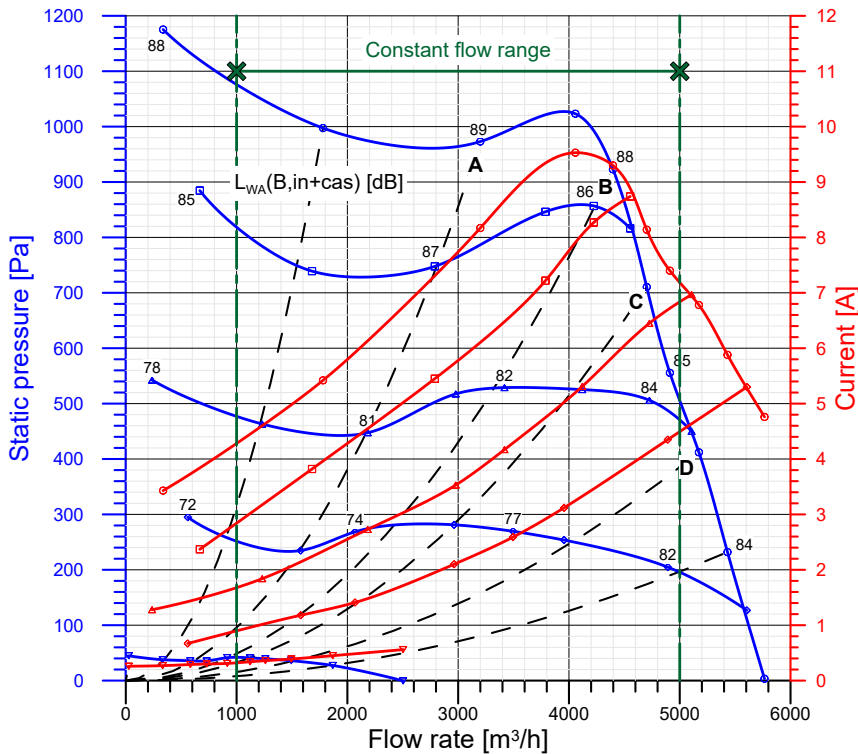
Type: DDMP 10/10 2kW 1Ph Motor: 1416A4+1431A8

Power:	2202 W (input, max)	Protection Cl.:	IP 54 (Motor)
Poles:	8	Insulation Cl.:	F
Voltage:	220-240 V	Thermal prot.:	YES-Integral
Supply:	1~	Temp. Min:	-20 °C
Frequency:	50-60 Hz	Temp. Max:	+40 °C
Capacitor:	n.a.	Current Max:	9.53 A

Performance data referring to:
Standard air density $\rho = 1.20 \text{ kg / m}^3$
Installation type "B": free inlet, ducted outlet
Sound Power Levels shown are
Inlet-side $L_{WA}(B, in+cas)$, A-weighted, in dBA

Integral speed-control by On-board Driver 1431A8

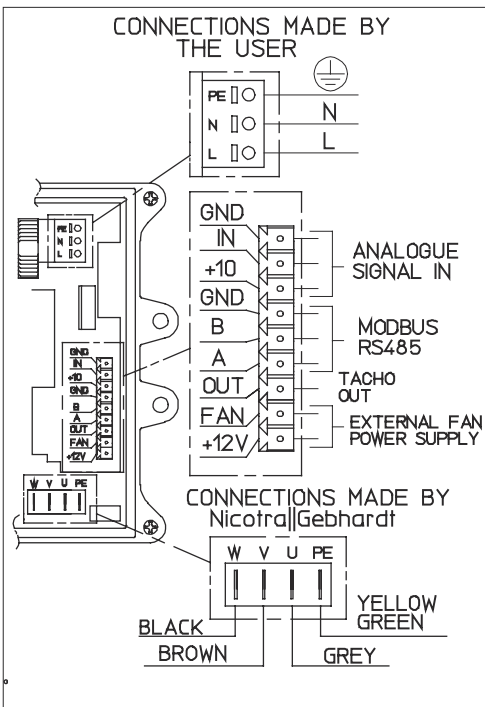
	qv m ³ /h	pfs Pa	Pe W	n rpm	I A	η_T %
○ Maximum performance curve (10 V)						
A	3200	973	1897	1986	8.17	47.9
B	4397	923	2163	1801	9.30	57.5
C	4702	710	1903	1589	8.14	56.3
D	5173	412	1575	1286	6.78	49.9
□ Performance at 1730 rpm						
A	2789	748	1262	1736	5.45	48.2
B	4224	857	1916	1738	8.27	57.9
C	n.a.	n.a.	n.a.	n.a.	n.a.	n.a.
D	n.a.	n.a.	n.a.	n.a.	n.a.	n.a.
△ Performance at 1370 rpm						
A	2184	447	628	1363	2.73	45.5
B	3418	529	967	1368	4.17	57.6
C	4120	525	1232	1368	5.31	56.7
D	5107	450	1618	1321	6.97	51.0
◇ Performance at 1000 rpm						
A	1579	235	264	1002	1.18	41.0
B	2069	269	319	1002	1.41	52.3
C	2963	281	483	1004	2.10	55.4
D	3956	254	723	1006	3.12	50.5
▽ Performance at 400 rpm						
A	582	36	46	399	0.29	13.3
B	916	41	54	399	0.31	21.5
C	1122	41	61	399	0.34	24.1
D	1494	36	76	399	0.39	25.8



ErP Data acc. to Reg. 327/11/CE Performance referred to the best efficiency duty point

Compl. with Reg. 327/11/EC: Tier II (2015)
Overall Efficiency ($\eta \times Cc$) [%]: 61.2
Measurement category: B
Efficiency category: Total
Efficiency grade N [%]: 65.4
A variable speed drive is integrated with this fan
Manufactured since: 2016
By: *Regal Beloit Italy S.p.A.*
Via Modena 18
24040 Ciserano - Italy
Power input [kW]: 2.163
Volume flow rate qv [m³/s]: 1.221
Total Pressure [Pa]: 1020
Speed [rpm]: 1801
Specific ratio: 1.01
Information on:
- Disassembly, recycling and disposal at end of life
- Optimal installation, use and maintenance of fans
are freely downloadable from
www.nicotra-gebhardt.com
Testing is carried out with the optional components of the test airway required, according to ISO 5801:2007, for the installation type detailed here on top.

WIRING DIAGRAM

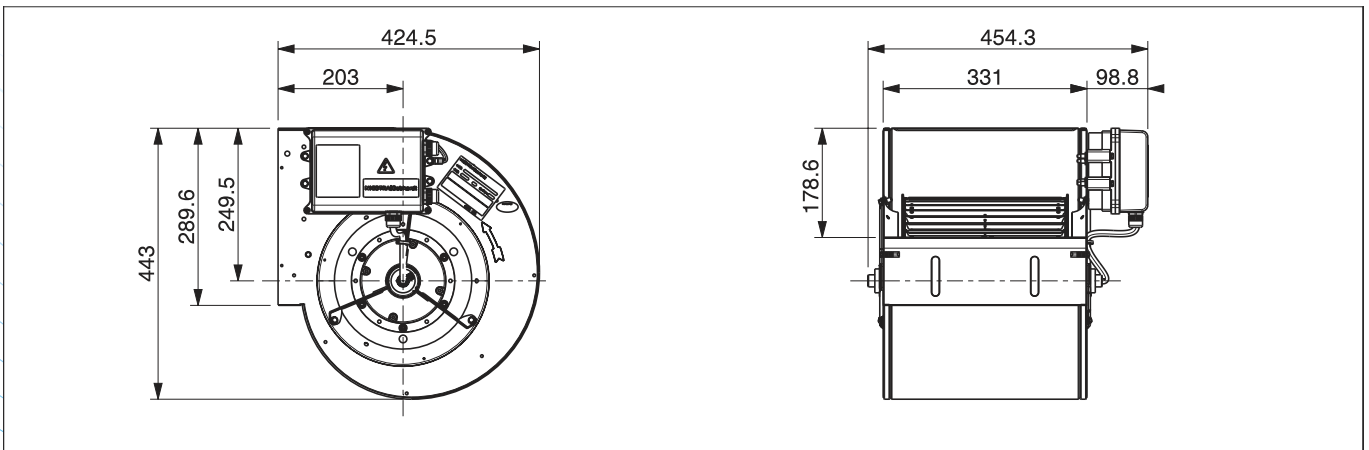


NOISE DATA

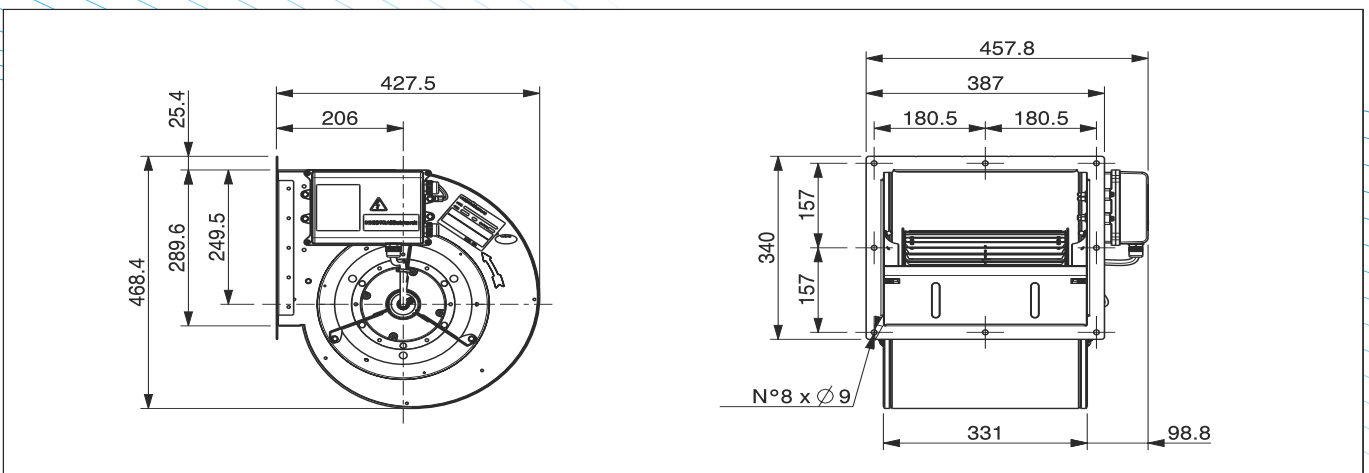
Working point	Sound power level for inlet side (L _w) in dB									
	m ³ /h	63	125	250	500	1k	2k	4k	8kHz	L _{wA}
230 V / 50 Hz	3200	82,3	93,3	95,2	82,1	79,1	77,8	74,5	69,4	89,1
F.M.W.L.	4397	77,8	84,8	91,7	87,1	78,7	78,8	74,8	70,3	88,4
	4702	72,6	83,0	89,7	79,7	78,6	76,8	74,1	68,9	85,5
	5173	73,6	85,7	85,9	77,0	77,3	76,8	74,1	69,0	83,9
230 V / 50 Hz	2789	77,8	91,5	93,1	79,9	75,5	74,9	73,4	66,8	86,9
1730 rpm	4224	73,7	86,0	91,1	80,5	77,7	76,4	74,3	69,5	86,1
	N.A.	N.A.	N.A.	N.A.	N.A.	N.A.	N.A.	N.A.	N.A.	N.A.
	N.A.	N.A.	N.A.	N.A.	N.A.	N.A.	N.A.	N.A.	N.A.	N.A.
230 V / 50 Hz	2184	71,5	85,1	86,1	74,1	70,8	69,2	70,8	61,7	80,7
1370 rpm	3418	68,8	82,3	86,7	76,1	74,1	71,5	72,8	64,3	82,1
	4120	70,0	81,4	85,7	77,1	74,4	73,4	71,3	65,1	82,0
	5107	74,3	86,4	87,9	77,2	77,1	76,5	73,8	68,8	84,3
230 V / 50 Hz	1579	69,3	81,3	76,5	69,0	64,8	62,0	56,3	47,2	72,9
1000 rpm	2069	68,3	82,3	78,7	69,1	64,9	63,2	58,3	49,3	74,2
	2963	66,4	81,4	81,3	70,3	67,3	66,5	62,3	54,3	76,2
	3956	70,2	80,0	84,2	72,9	72,9	71,2	67,6	61,1	79,7
230 V / 50 Hz	582	N.A.	N.A.	N.A.	N.A.	N.A.	N.A.	N.A.	N.A.	N.A.
400 rpm	916	N.A.	N.A.	N.A.	N.A.	N.A.	N.A.	N.A.	N.A.	N.A.
	1122	N.A.	N.A.	N.A.	N.A.	N.A.	N.A.	N.A.	N.A.	N.A.
	1494	N.A.	N.A.	N.A.	N.A.	N.A.	N.A.	N.A.	N.A.	N.A.

DIMENSIONAL DRAWINGS

6DB0066ZZ0000000 - DDMP 10/10 M6A4 DA8 DRI-



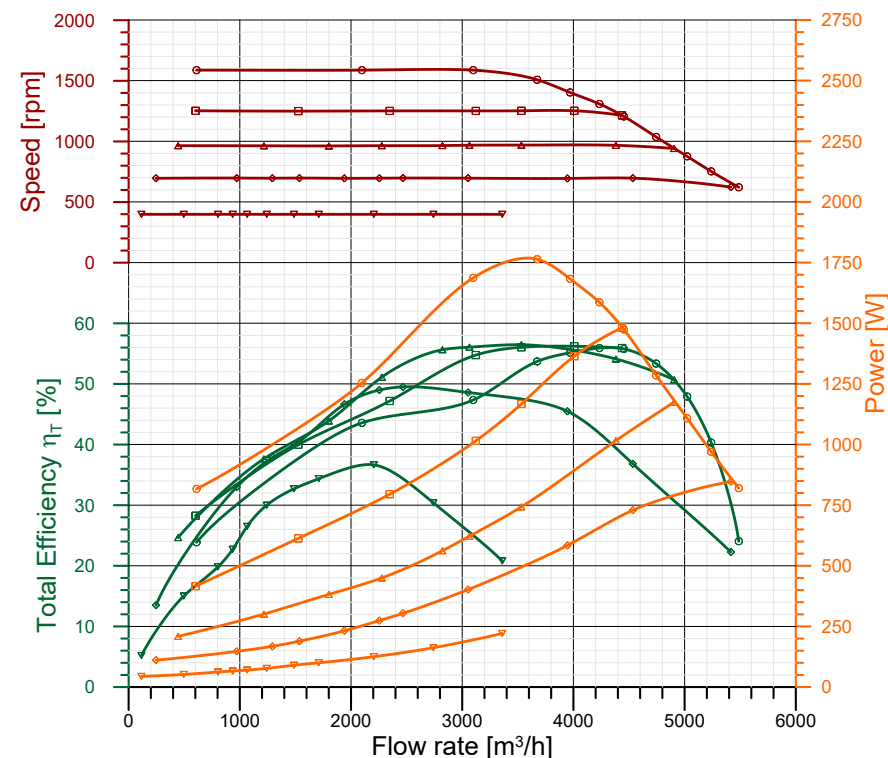
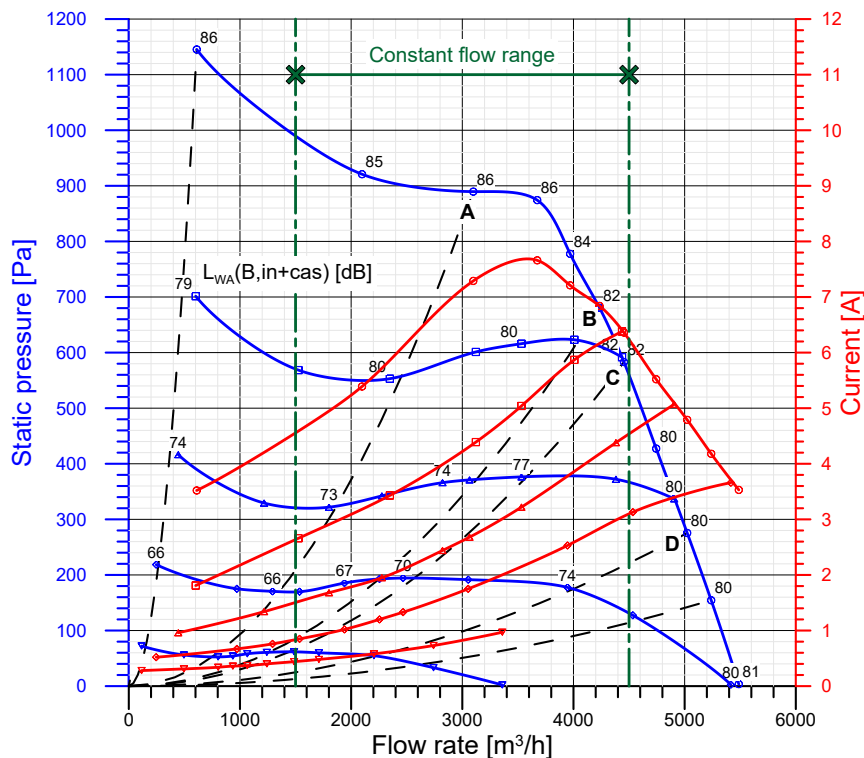
6DB0066ZZ0000001 - DDMP 10/10 M6A4 DA8+FL



Type: DDMP 12/9 2kW 1Ph Motor: 1416A4+1431A8

Power: 1764 W (input, max) Protection Cl.: IP 54 (Motor)
 Poles: 8 Insulation Cl.: F
 Voltage: 220-240 V Thermal prot.: YES-Integral
 Supply: 1~ Temp. Min: -20 °C
 Frequency: 50-60 Hz Temp. Max: +40 °C
 Capacitor: n.a. Current Max: 7.66 A

Performance data referring to:
 Standard air density $\rho = 1.20 \text{ kg / m}^3$
 Installation type "B": free inlet, ducted outlet
 Sound Power Levels shown are
 Inlet-side $L_{WA}(B, in+cas)$, A-weighted, in dBA



Integral speed-control by On-board Driver 1431A8

	qv m ³ /h	pfs Pa	Pe W	n rpm	I A	η_T %
○ Maximum performance curve (10 V)						
A	3099	890	1687	1588	7.29	47.4
B	4234	681	1586	1309	6.84	55.9
C	4454	583	1474	1206	6.36	55.8
D	5023	275	1108	877	4.79	47.9
□ Performance at 1250 rpm						
A	2348	553	795	1252	3.43	47.2
B	4008	623	1364	1253	5.87	56.2
C	4437	592	1482	1215	6.38	55.9
D	n.a.	n.a.	n.a.	n.a.	n.a.	n.a.
△ Performance at 970 rpm						
A	1801	322	382	963	1.68	43.9
B	3065	371	622	969	2.68	56.1
C	3532	376	743	970	3.22	56.5
D	4906	337	1175	942	5.07	50.7
◇ Performance at 700 rpm						
A	1293	170	168	697	0.76	37.9
B	2255	193	274	697	1.20	49.0
C	2467	194	304	698	1.33	49.5
D	3946	178	584	695	2.53	45.5
▽ Performance at 400 rpm						
A	804	53	62	399	0.34	19.8
B	1242	61	77	399	0.40	30.0
C	1487	62	90	399	0.44	32.7
D	2205	55	125	399	0.58	36.7

ErP Data acc. to Reg. 327/11/CE

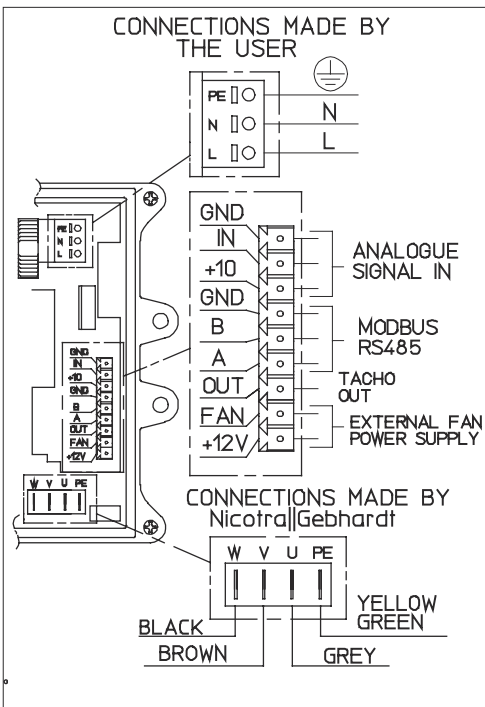
Performance referred to the best efficiency duty point

Compl. with Reg. 327/11/EC: Tier II (2015)
 Overall Efficiency ($\eta \times C_c$) [%]: 60.1
 Measurement category: B
 Efficiency category: Total
 Efficiency grade N [%]: 65.2
 A variable speed drive is integrated with this fan
 Manufactured since: 2016
 By:
 Regal Beloit Italy S.p.A.
 Via Modena 18
 24040 Ciserano - Italy
 Power input [kW]: 1.586
 Volume flow rate qv [m³/s]: 1.176
 Total Pressure [Pa]: 755
 Speed [rpm]: 1309
 Specific ratio: 1.007

Information on:
 - Disassembly, recycling and disposal at end of life
 - Optimal installation, use and maintenance of fans
 are freely downloadable from
www.nicotra-gebhardt.com

Testing is carried out with the optional components of the test airway required, according to ISO 5801:2007, for the installation type detailed here on top.

WIRING DIAGRAM

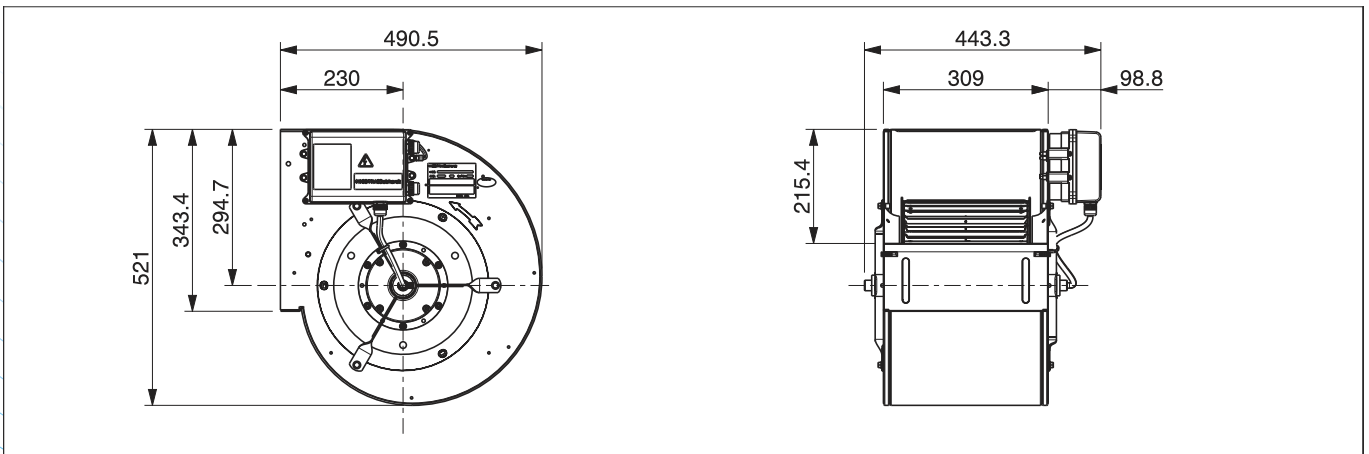


NOISE DATA

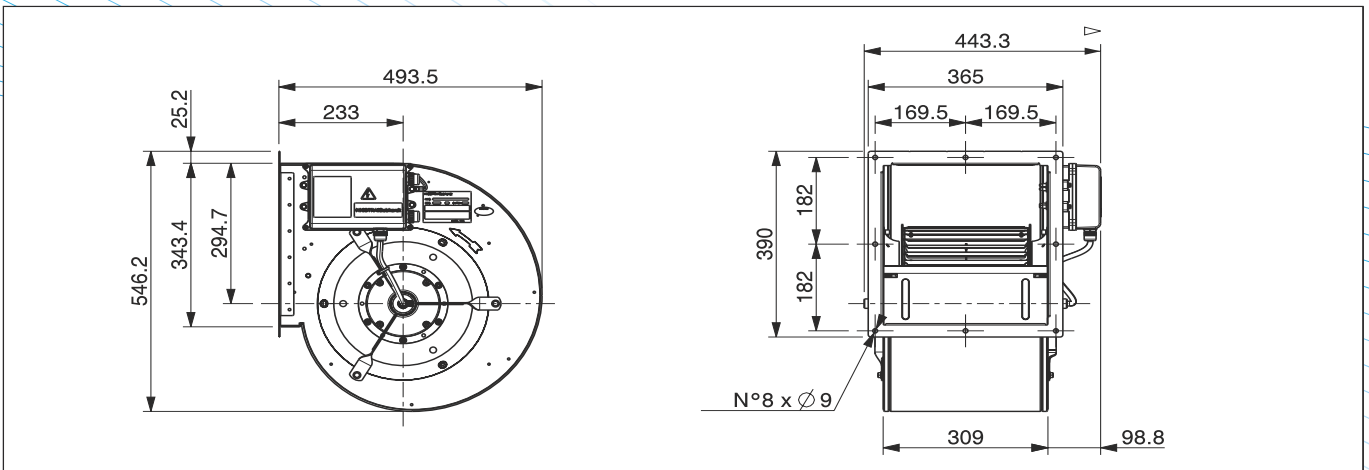
Working point	Sound power level for inlet side (L _w) in dB									
	m ³ /h	63	125	250	500	1k	2k	4k	8kHz	L _{wA}
230 V / 50 Hz	3099	78,9	88,6	91,2	82,2	77,5	74,8	71,4	65,7	86,1
F.M.W.L.	4234	70,3	83,5	84,9	78,0	76,0	73,2	69,8	63,6	82,1
	4454	69,1	84,1	84,3	78,5	77,3	72,6	69,0	62,7	82,3
	5023	75,0	88,6	77,9	74,9	74,0	72,9	70,0	63,0	80,4
230 V / 50 Hz	2348	76,7	84,4	83,9	75,5	72,0	69,6	65,6	58,8	79,7
1250 rpm	4008	70,0	82,2	84,4	77,5	76,0	72,2	68,5	62,2	81,5
	4437	73,1	83,6	84,4	78,8	75,6	72,9	69,2	62,9	81,9
	N.A.	N.A.	N.A.	N.A.	N.A.	N.A.	N.A.	N.A.	N.A.	N.A.
230 V / 50 Hz	1801	56,4	77,0	76,7	71,1	65,5	63,8	58,9	50,8	73,4
970 rpm	3065	66,3	77,6	76,8	73,4	69,1	66,4	61,9	54,4	75,5
	3532	65,9	80,4	76,5	75,9	71,6	67,9	63,4	56,1	77,3
	4906	75,2	81,0	78,5	77,6	73,3	72,6	69,2	62,6	79,9
230 V / 50 Hz	1293	63,8	69,7	68,9	63,4	58,9	56,7	48,9	37,7	66,0
700 rpm	2255	66,4	68,9	69,4	67,6	61,0	59,3	51,6	41,7	68,4
	2467	66,4	69,8	69,4	69,7	61,7	59,6	52,7	43,0	69,6
	3946	76,3	72,1	71,8	71,4	68,5	67,6	62,5	54,5	74,2
230 V / 50 Hz	804	N.A.	N.A.	N.A.	N.A.	N.A.	N.A.	N.A.	N.A.	N.A.
400 rpm	1242	N.A.	N.A.	N.A.	N.A.	N.A.	N.A.	N.A.	N.A.	N.A.
	1487	N.A.	N.A.	N.A.	N.A.	N.A.	N.A.	N.A.	N.A.	N.A.
	2205	N.A.	N.A.	N.A.	N.A.	N.A.	N.A.	N.A.	N.A.	N.A.

DIMENSIONAL DRAWINGS

6DB0058ZZ0000000 - DDMP 12/9 M6A4 DA8



6DB0058ZZ0000001 - DDMP 12/9 M6A4 DA8+FL



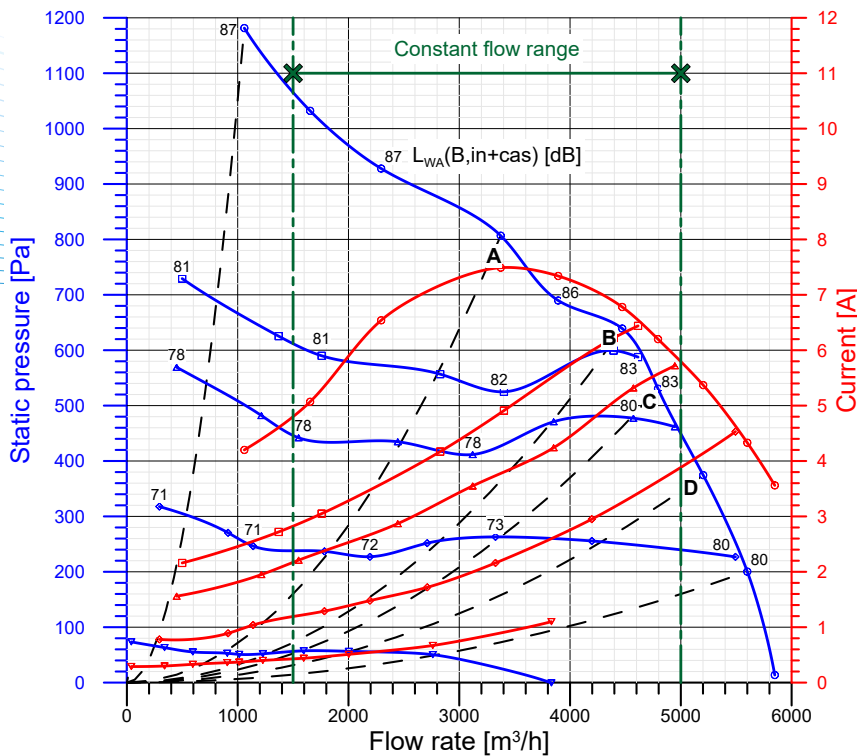
Type: DDMP 12/12 2kW 1Ph Motor: 1416A4+1431A8

Power:	1789 W (input, max)	Protection Cl.:	IP 54 (Motor)
Poles:	8	Insulation Cl.:	F
Voltage:	220-240 V	Thermal prot.:	YES-Integral
Supply:	1~	Temp. Min:	-20 °C
Frequency:	50-60 Hz	Temp. Max:	+40 °C
Capacitor:	n.a.	Current Max:	7.49 A

Performance data referring to:
Standard air density $\rho = 1.20 \text{ kg / m}^3$
Installation type "B": free inlet, ducted outlet

Sound Power Levels shown are
Inlet-side $L_{WA}(B, in+cas)$, A-weighted, in dBA

Integral speed-control by On-board Driver 1431A8



	qv m³/h	pfs Pa	Pe W	n rpm	I A	η_T %
○ Maximum performance curve (10 V)						
A	3374	807	1789	1511	7.49	43.7
B	4471	639	1623	1296	6.78	52.8
C	4794	531	1486	1177	6.20	52.7
D	5202	374	1288	1005	5.37	49.7
□ Performance at 1250 rpm						
A	2828	557	992	1250	4.17	45.7
B	4393	599	1489	1252	6.22	53.1
C	n.a.	n.a.	n.a.	n.a.	n.a.	n.a.
D	n.a.	n.a.	n.a.	n.a.	n.a.	n.a.
△ Performance at 1100 rpm						
A	2445	435	677	1105	2.87	45.1
B	3852	471	1010	1107	4.24	53.8
C	4572	477	1261	1106	5.32	53.4
D	n.a.	n.a.	n.a.	n.a.	n.a.	n.a.
◇ Performance at 820 rpm						
A	1783	237	295	824	1.29	41.1
B	2711	252	404	825	1.72	50.4
C	3327	263	510	825	2.16	52.8
D	4196	256	694	826	2.95	50.5
▽ Performance at 400 rpm						
A	906	53	67	399	0.36	20.7
B	1227	52	76	399	0.40	24.9
C	1596	57	89	399	0.44	31.8
D	2003	56	106	399	0.51	35.1

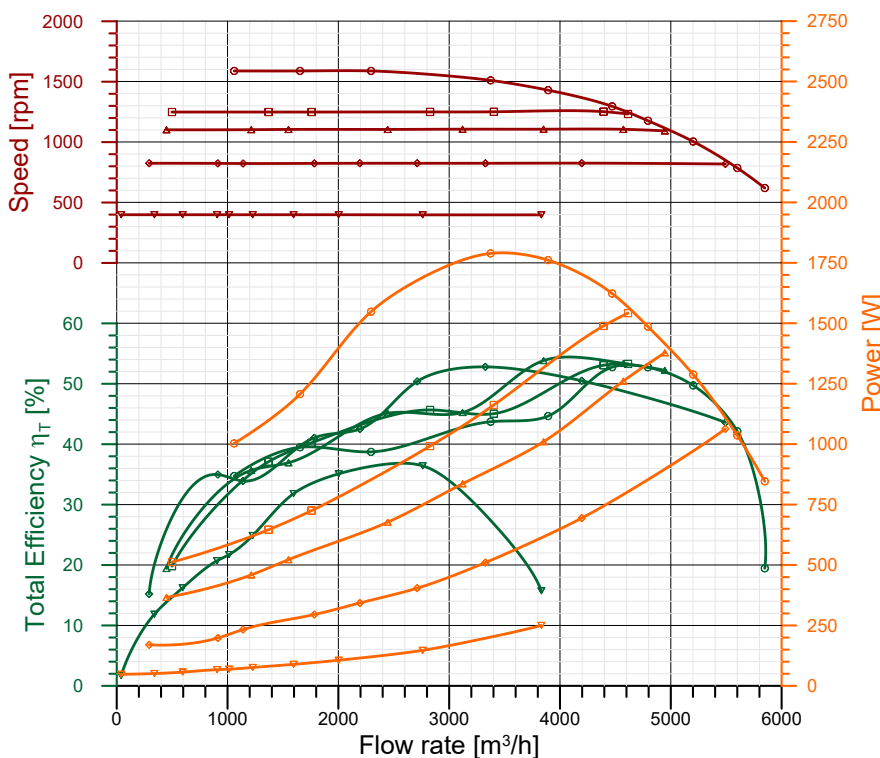
ErP Data acc. to Reg. 327/11/CE

Performance referred to the best efficiency duty point

Compl. with Reg. 327/11/EC: Tier II (2015)
Overall Efficiency ($\eta \times Cc$) [%]: 56.6
Measurement category: B
Efficiency category: Total
Efficiency grade N [%]: 61.6
A variable speed drive is integrated with this fan
Manufactured since: 2016
By:
Regal Beloit Italy S.p.A.
Via Modena 18
24040 Ciserano - Italy
Power input [kW]: 1.623
Volume flow rate qv [m³/s]: 1.242
Total Pressure [Pa]: 690
Speed [rpm]: 1296
Specific ratio: 1.007

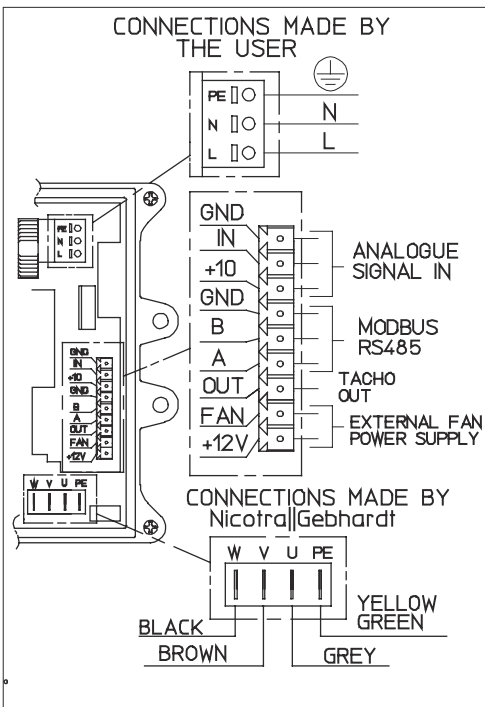
Information on:
- Disassembly, recycling and disposal at end of life
- Optimal installation, use and maintenance of fans
are freely downloadable from
www.nicotra-gebhardt.com

Testing is carried out with the optional components of the test airway required, according to ISO 5801:2007, for the installation type detailed here on top.



Test nr.: S5030-000/2/3/4/6

WIRING DIAGRAM

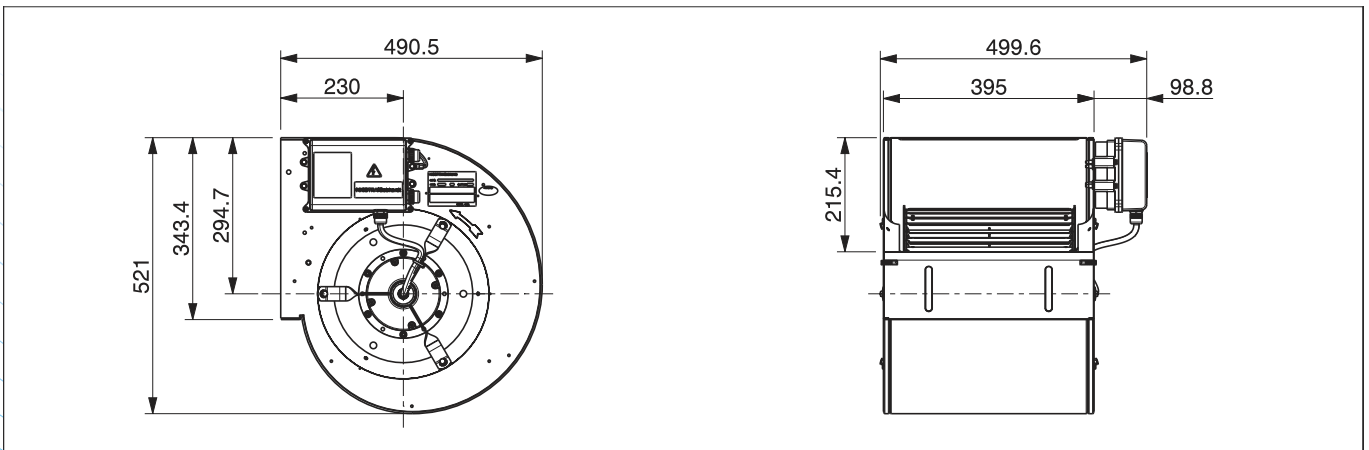


NOISE DATA

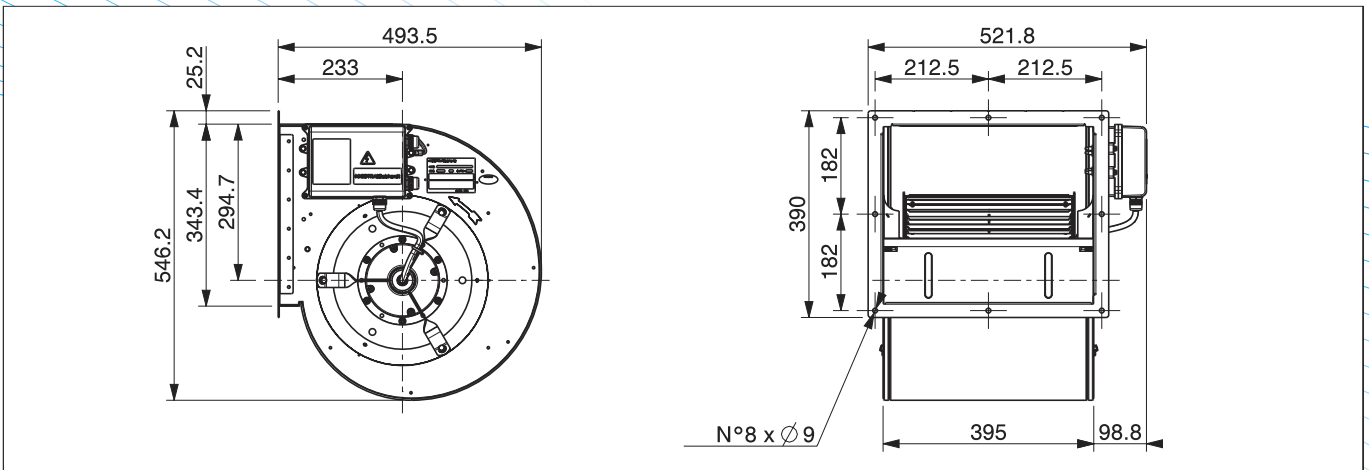
Working point	Sound power level for inlet side (L _w) in dB									
	m ³ /h	63	125	250	500	1k	2k	4k	8kHz	L _{wA}
230 V / 50 Hz	3374	81,3	91,6	92,1	82,0	80,7	75,6	71,3	64,9	87,2
F.M.W.L.	4471	72,2	88,5	89,4	80,9	79,6	72,5	68,8	62,7	85,2
	4794	70,9	85,3	86,4	78,4	77,2	71,6	67,9	61,5	82,7
	5202	76,4	82,4	85,2	75,5	74,7	70,6	67,1	60,5	80,8
230 V / 50 Hz	2828	77,9	88,0	87,1	75,3	73,0	71,1	66,5	59,2	81,7
1250 rpm	4393	70,7	86,7	89,5	77,8	75,9	71,8	67,8	61,7	83,7
	N.A.	N.A.	N.A.	N.A.	N.A.	N.A.	N.A.	N.A.	N.A.	N.A.
	N.A.	N.A.	N.A.	N.A.	N.A.	N.A.	N.A.	N.A.	N.A.	N.A.
230 V / 50 Hz	2445	73,3	85,2	82,8	72,7	70,3	67,9	66,1	55,3	78,4
1100 rpm	3852	69,3	85,4	84,0	74,5	72,0	69,0	64,9	58,0	79,5
	4572	69,8	84,4	84,8	75,0	74,1	70,4	66,3	59,9	80,5
	N.A.	N.A.	N.A.	N.A.	N.A.	N.A.	N.A.	N.A.	N.A.	N.A.
230 V / 50 Hz	1783	66,3	78,6	75,5	66,5	66,0	60,6	54,3	45,6	71,8
820 rpm	2711	70,6	78,8	76,0	67,0	65,6	61,5	55,9	47,4	72,1
	3327	73,3	78,7	77,2	68,4	65,9	63,0	57,6	49,5	73,1
	4196	80,3	79,3	78,1	70,5	67,9	65,8	61,8	54,2	74,8
230 V / 50 Hz	906	N.A.	N.A.	N.A.	N.A.	N.A.	N.A.	N.A.	N.A.	N.A.
400 rpm	1227	N.A.	N.A.	N.A.	N.A.	N.A.	N.A.	N.A.	N.A.	N.A.
	1596	N.A.	N.A.	N.A.	N.A.	N.A.	N.A.	N.A.	N.A.	N.A.
	2003	N.A.	N.A.	N.A.	N.A.	N.A.	N.A.	N.A.	N.A.	N.A.

DIMENSIONAL DRAWINGS

6DB0088ZZ0000000 - DDMP 12/12 M6A4 DA8



6DB0088ZZ0000001 - DDMP 12/12 M6A4 DA8+FL





NICOTRA | Gebhardt®

Nicotra Gebhardt Germany
Nicotra Gebhardt GmbH
Gebhardtstraße 19-25
74638 Waldenburg (Germany)
Phone +49 7942 1010
Fax +49 7942 101 170
E-Mail info.ng.de@regalbeloit.com
Web www.nicotra-gebhardt.com

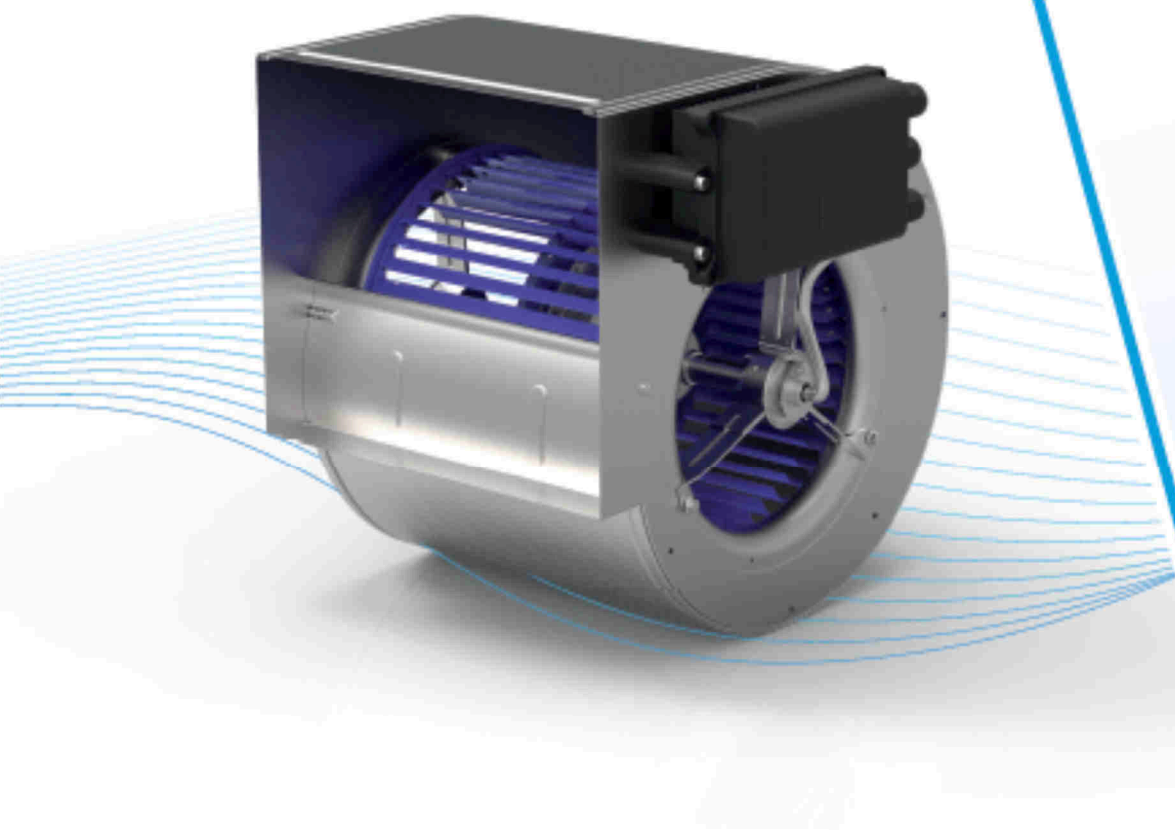
Nicotra Gebhardt Italy
Regal Beloit Italy S.p.A.
Via Modena, 18
24040 Zingonia (BG) (Italy)
Phone +39 035 873 111
Fax +39 035 884 319
E-mail info.ng.it@regalbeloit.com
Web www.nicotra-gebhardt.com

APPLICATION CONSIDERATIONS

The proper selection and application of products and components, including the related area of product safety, is the responsibility of the customer. Operating and performance requirements and potential associated issues will vary appreciably depending upon the use and application of such products and components. The scope of the technical and application information included in this publication is necessarily limited. Unusual operating environments and conditions, lubrication requirements, loading supports, and other factors can materially affect the application and operating results of the products and components and the customer should carefully review its requirements. Any technical advice or review furnished by Regal Beloit America, Inc. and/or its affiliates ("Regal") with respect to the use of products and components is given in good faith and without charge, and Regal assumes no obligation or liability for the advice given, or results obtained, all such advice and review being given and accepted at customer's risk.

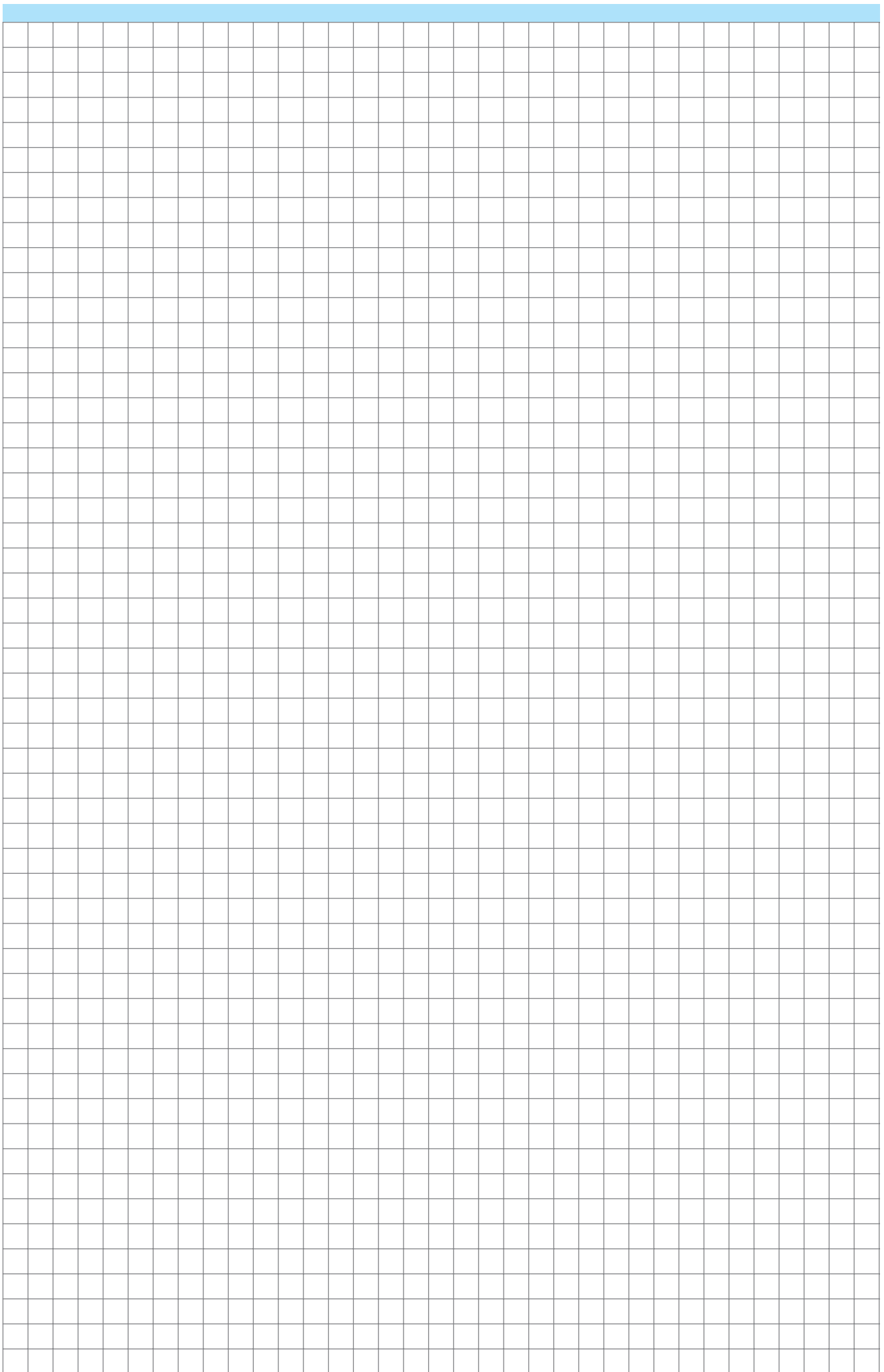
For a copy of our Standard Terms and Conditions of Sale, please visit <https://www.regalbeloit.com/Terms-and-Conditions-of-Sale>. These terms and conditions of sale, disclaimers and limitations of liability apply to any person who may buy, acquire or use a Regal product referred to herein, including any person who buys from a licensed distributor of these branded products.





DDMP

2.6 kW – 3-Phase models



The DDMP range extends to 3-phase models

The DDMP range is now extended to include five additional models, covering the same fan sizes already available with the 2kW Single-phase drives, from size 9/9 up to 12/12, using by the new 3-phase external-rotor drive systems, with input power up to 2.6 kW.

The new 3-phase models share many characteristics with the single-phase models already available since long.

This attachment to the DDMP catalogue describes the new features, which are specific of the three-phase models, as well as the performance of these new fan models.

Please refer to the DDMP Single-phase catalogue for additional information on all the other common features.

The 3-phase DDMP range is going to receive a further considerable extension with the release of a range of higher-torque motors and of a further step upwards in power, to 4.0 kW and beyond.

Please, keep in contact with your Nicotra Gebhardt sales representative, to receive timely updates on the latest additions to the DDMP range.

Smart EC 3-phase motor controllers

The new 3-phase motor controllers, or “drivers”, fitted to the DDMP fans, have a nominal maximum input power of 2.6 kW. These new drivers use the same box-shaped driver case with IP55 protection grade, fitted to the scroll side-plate, already used for the DDMP 2 kW single-phase drivers.

These drivers comply with the EMC requirements for class C2 of power-drive systems, according to EN 61800-3. As such, they are suitable for use in the “first environment”, under condition that they are incorporated into an apparatus, system or installation, which is neither a plug-in device nor a movable device. Such devices shall have to be installed and commissioned only by a professional.

According to the EN 61000-3-2 standard (“Limits for harmonic current emissions – equipment input current ≤ 16 A per phase –”), these devices are classified as “professional devices having total input power greater than 1 kW”. Direct connection to a low voltage supply (public networks) may be allowed insofar as this has been approved by the respective energy distribution authority.

The 3-phase DDMP power drive systems comply with the emission requirements set by the EN 61000-6-4 standard for use in industrial environments and also with the immunity requirements for industrial environments, according to EN 61000-6-2.

All these driver units have been designed with sensorless technology, to simplify their architecture and increase their operational reliability.

Like the single-phase models, also the 3-phase DDMP drivers are delivered already configured for use in their basic operating mode, i.e. with continuously-adjustable speed, with the fan speed proportional to an analogue input signal (0-10 Vdc or PWM).

The drivers incorporate advanced protection features, preventing the user from exceeding the safety limits of the driver and motor. If the combination of the air system configuration with the speed demand from the user should bring the fan to exceed one or more of the limits, which are set for input power, motor torque, or operating temperature of the electronics, then the fan speed and power requirement would be automatically reduced, to bring-back the fan within safe operating conditions.

All the diagrams of the different DDMP fan models in this catalogue, showing the fan performance under standard laboratory conditions, already account for this automatic restriction of the fan performance, according to speed, power and torque limits.

If the software protection features should not be enough, a temperature-sensitive switch is fitted inside all motors, to stop the drive-system, thus preventing any permanent damage from overloading and overheating.

By design, these drive systems are insensitive to the frequency of the power supply, so all the DDMP three-phase fans are suitable for operation with any power network at 50 or 60 Hz frequency, in the 400V +/- 10% voltage range.

Advanced operating modes

The 3-phase smart drivers provide the same selectable advanced operating modes, which are available from the less powerful single-phase units. Please refer to the existing catalogue for single-phase models, for further details.

All the three-phase DDMP models fitted with the three-phase drivers of the model 1431G0 can also provide the autonomous constant-volume operating mode, which has been characteristic of the single phase DDMP models ⁽¹⁾.

The ease of operation of these new 3-phase drivers has been further improved, with a better capability to manage the transitory effect of a short loss of power supply or control signal, with a smoother transition.

These new 3-phase drivers also incorporate another useful feature: they can be configured to quickly skip across a chosen range of operating frequencies, to avoid any speed range which may excite structural resonance in the fan installation.

1) Note: A limited production run of developmental three-phase DDMP fans has been completed with driver type 1431F0, which is missing the constant-volume operating function. These fans can be upgraded to the full DDMP specification with a firmware update.

Advanced SW interface

Please note that the Nicotra Gebhardt “Fan Configuration Program”, formerly used to provide a flexible user interface for monitoring and configuration of the fans with single-phase drivers, is no longer suitable for use with the new Three-phase drivers.

The former Nicotra Gebhardt Fan Configuration Software Revision 2 can connect to the three-phase drivers and still provide some basic monitoring functions, but cannot read a number of the new parameters, and is definitely not suitable to configure the three phase drivers.

A brand-new and more advanced monitoring and configuration software tool, “Fan Configurator”, has been specifically developed, to support the new three-phase drivers, as well as all the former single-phase units.

Regal Beloit recommends to all the customer to download and install the most recent release of the Nicotra Gebhardt Fan Configurator, providing complete coverage of our EC-driven product range and some useful additional features.

Please, contact Regal Beloit Italy if you have any difficulties when downloading the new software package from the Nicotra Gebhardt website.

Extended analogue interface

To support those customers who connect the DDMP fan to an electromechanical control system, the new 3-phase smart drivers also provide the alarm signal using an electromechanical relay (closed during normal operation, open without power supply or in case of fault), suitable for 250 Vac / 30Vdc 5A , as well as through the normal low-power digital output.

Specifications

DDMP 2.6 kW 3-Phase range

Direct-driven double-inlet double-width backward-curved fan with scroll, with integrated high-efficiency drive system and impeller.

The IP54 drive system includes a high-efficiency external-rotor permanent-magnet motor and a smart electronic motor driver, providing speed-control and self-protection against overloading or overheating.

The external-rotor motor, using high-intensity rare-earth magnets for better efficiency and compactness, is directly integrated in the hub of the impeller and supported on rubber vibration dampers, fitted to pressed-steel brackets, bolted to both fan inlets.

The three-phase 2.6 kW driver, fitted into a special-purpose housing, is bolted onto the side plate of the fan scroll case, and provides advanced control functions, including constant-volume operation, as well as the external interfaces, both analogue and digital. The driver incorporates passive EMC filters, keeping the fan power factor constantly at optimum values, as well as reducing harmonic distortion and emissions.

The three-phase drive system complies with the requirements of the class C2, for EMC- compatibility levels, according to EN 61800-3 standard for power-drive systems, throughout the range of EMC requirements, including the immunity requirements for industrial environments, according to EN 61000-6-2.

Additional and optional filters may be available, to fulfil tighter requirements, like compliance with emission requirements for residential applications, or requirements on harmonic distortion for highly sensitive installation in the industrial or IT environments.

The solid scroll cases are made of a pair of pressed side-plates and a rolled backplate, all made of galvanized steel, joined by spot-welding.

The high-performance forward-curved impellers are also made of galvanised steel plate, and assembled by cold-forming, to preserve the corrosion-protecting effect of the zinc layer on the surface of the steel plate.

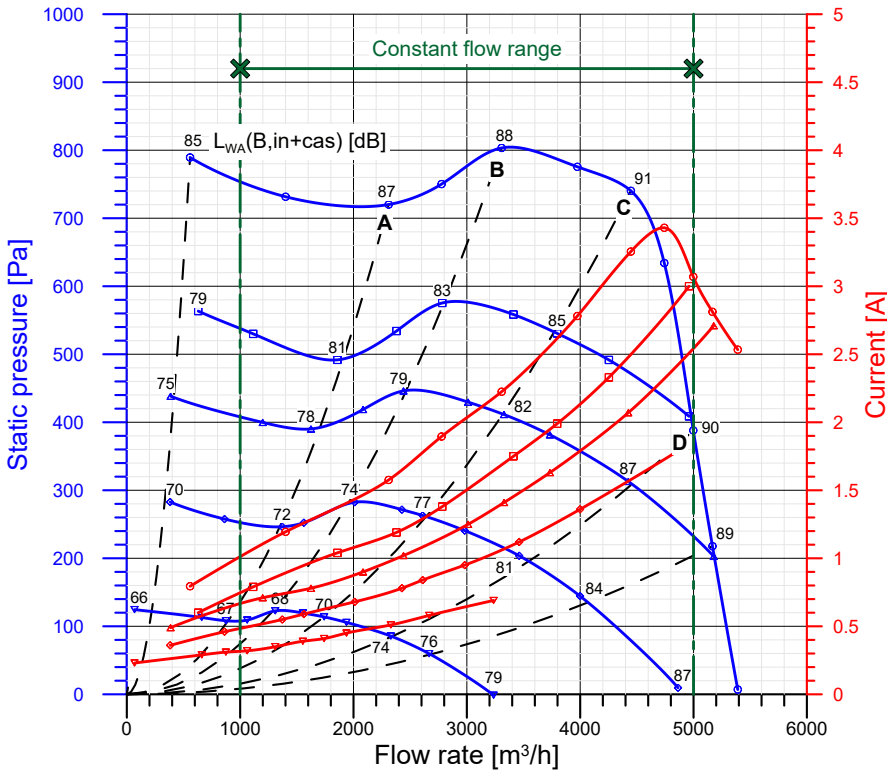
The 6-7 character p/nos., traditionally used to identify the DDMP fans, are progressively replaced by a new 16-character structured coding system. This transition is taking place, in steps, for all the EC-driven fans in the Nicotra Gebhardt product portfolio. The following table provides a cross-coding reference for the existing most-standard DDMP models.

Single fans, box-packaged Old 6-character part/nos.	Single fans, box-packaged New 16-character part/nos.	Full pallet-load Multiple-package, Old 6-character part/nos.	Full pallet-load Multiple-package, New 16-character part/nos.	Description
6M04A8 6M04A7 6M04A0 6M04E0 6M04G8	6DA003JZZ0000000 6DA013JZZ0000000 6DA0033ZZ00000000 6DA0033ZZ00000001 6DA0133ZZ00000000	FM04A0 FM04E0	FDA0033ZZ00000000 FDA0033ZZ00000001	DDMP 7/7 T M6A3 DA5 DDMP 7/7 T M6A3 DA5 RD DDMP 7/7 M6A0 DA5 DDMP 7/7 M6A0 DA5+FL DDMP 7/7 M6A0 RD DA5
6M04X2 6M04C7 6M04F7 6M04A5 6M04Z1	6DA0133ZZ00000001 6DA0053ZZ00000000 6DA0053ZZ00000001 6DA003KZZ00000000 6DA013KZZ00000000			DDMP 7/7 M6A0 RD DA5+FL DDMP 7/9 M6A1 DA5 DDMP 7/9 M6A1 DA5+FL DDMP 8/7 T M6A0 DA5 DDMP 8/7 T M6A0 DA5 RD
6M04Y1 6M04E5 6M04A6 6M04Y2 6M04E6	6DA013KZZ00000001 6DA003KZZ00000001 6DA005KZZ00000000 6DA015KZZ00000001 6DA005KZZ00000001			DDMP 8/7 T M6A0 DA5 RD+FL DDMP 8/7 T M6A0 DA5+FL DDMP 8/9 T M6A1 DA5 DDMP 8/9 T M6A1 DA5 RD+FL DDMP 8/9 T M6A1 DA5+FL
6M04A1 6M04X3 6M04F8 6M04E1 6M04A2	6DA0035ZZ00000000 6DA0135ZZ00000000 6DA0135ZZ00000001 6DA0035ZZ00000001 6DA0055ZZ00000000	FM04A1 FM04E1 FM04A2	FDA0035ZZ00000000 FDA0035ZZ00000001 FDA0055ZZ00000000	DDMP 9/7 M6A0 DA5 DDMP 9/7 M6A0 DA5 RD DDMP 9/7 M6A0 DA5 RD+FL DDMP 9/7 M6A0 DA5+FL DDMP 9/9 M6A1 DA5
6M04G9 6M04G7 6M04E2 6M04H0 6M04R2	6DA0155ZZ00000000 6DA0155ZZ00000001 6DA0055ZZ00000001 6DB0055ZZ00000000 6DB0155ZZ00000001	FM04E2 FM04H0	FDA0055ZZ00000001 FDB0055ZZ00000000	DDMP 9/9 M6A1 DA5 RD DDMP 9/9 M6A1 DA5 RD+FL DDMP 9/9 M6A1 DA5+FL DDMP 9/9 M6A4 DA8 DDMP 9/9 M6A4 DA8 RD+FL
6M04K0 S27E03 S27E13 S27E18 S27E08	6DD0055ZZ00000001 6DD0055ZZ00000000 6DD0155ZZ00000000 6DD0155ZZ00000001 6DD0055ZZ00000001			DDMP 9/9 M6A4 DA8+FL DDMP 9/9 M6A4 DG0 3F DDMP 9/9 M6A4 DG0 3F RD DDMP 9/9 M6A4 DG0 3F RD+FL DDMP 9/9 M6A4 DG0 3F+FL
6M04A9 6M04X4 6M04E9 6M04Y9 6M04A3	6DA000UTZZ00000000 6DA01UTZZ00000001 6DA000UTZZ00000001 6DC00UTZZ00000001 6DA0046ZZ00000000	FM04A3	FDA0046ZZ00000000	DDMP 225/240 M6A1 DA5 DDMP 225/240 M6A1 DA5 RD+FL DDMP 225/240 M6A1 DA5+FL DDMP 225/240 M6A1 DF1+FL DDMP 10/8 M6A2 DA5
6M04E3 6M04H1 6M04K9 6M04K1 S27E04	6DA0046ZZ00000001 6DB0046ZZ00000000 6DB0146ZZ00000001 6DB0046ZZ00000001 6DD0046ZZ00000000			DDMP 10/8 M6A2 DA5+FL DDMP 10/8 M6A4 DA8 DDMP 10/8 M6A4 DA8 RD+FL DDMP 10/8 M6A4 DA8+FL DDMP 10/8 M6A4 DG0 3F
S27E14 S27E19 S27E09 6M04A4 6M04X0	6DD0146ZZ00000000 6DD0146ZZ00000001 6DD0046ZZ00000001 6DA0066ZZ00000000 6DA0166ZZ00000000	FM04A4	FDA0066ZZ00000000	DDMP 10/8 M6A4 DG0 3F RD DDMP 10/8 M6A4 DG0 3F RD+FL DDMP 10/8 M6A4 DG0 3F+FL DDMP 10/10 M6A2 DA5 DDMP 10/10 M6A2 DA5 RD
6M04X9 6M04E4 6M04H2 6M04K8 6M04K2	6DA0166ZZ00000001 6DA0066ZZ00000001 6DB0066ZZ00000000 6DB0166ZZ00000001 6DB0066ZZ00000001	FM04E4 FM04H2 FM04K2	FDA0066ZZ00000001 FDB0066ZZ00000000 FDB0066ZZ00000001	DDMP 10/10 M6A2 DA5 RD+FL DDMP 10/10 M6A2 DA5+FL DDMP 10/10 M6A4 DA8 DDMP 10/10 M6A4 DA8 RD+FL DDMP 10/10 M6A4 DA8+FL
S27E05 S27E15 S27E20 S27E10 6M04H3	6DD0066ZZ00000000 6DD0166ZZ00000000 6DD0166ZZ00000001 6DD0066ZZ00000001 6DB0058ZZ00000000			DDMP 10/10 M6A4 DG0 3F DDMP 10/10 M6A4 DG0 3F RD DDMP 10/10 M6A4 DG0 3F RD+FL DDMP 10/10 M6A4 DG0 3F+FL DDMP 12/9 M6A4 DA8
6M04H8 6M04K3 S27E06 S27E16 S27E21	6DB0158ZZ00000001 6DB0058ZZ00000001 6DD0058ZZ00000000 6DD0158ZZ00000000 6DD0158ZZ00000001			DDMP 12/9 M6A4 DA8 RD+FL DDMP 12/9 M6A4 DA8+FL DDMP 12/9 M6A4 DG0 3F DDMP 12/9 M6A4 DG0 3F RD DDMP 12/9 M6A4 DG0 3F RD+FL
S27E11 6M04H4 6M04R1 6M04H9 6M04K4	6DD0058ZZ00000001 6DB0088ZZ00000000 6DB0188ZZ00000000 6DB0188ZZ00000001 6DB0088ZZ00000001			DDMP 12/9 M6A4 DG0 3F+FL DDMP 12/12 M6A4 DA8 DDMP 12/12 M6A4 DA8 RD DDMP 12/12 M6A4 DA8 RD+FL DDMP 12/12 M6A4 DA8+FL
S27E07 S27E17 S27E22 S27E12	6DD0088ZZ00000000 6DD0188ZZ00000000 6DD0188ZZ00000001 6DD0088ZZ00000001			DDMP 12/12 M6A4 DG0 3F DDMP 12/12 M6A4 DG0 3F RD DDMP 12/12 M6A4 DG0 3F RD+FL DDMP 12/12 M6A4 DG0 3F+FL

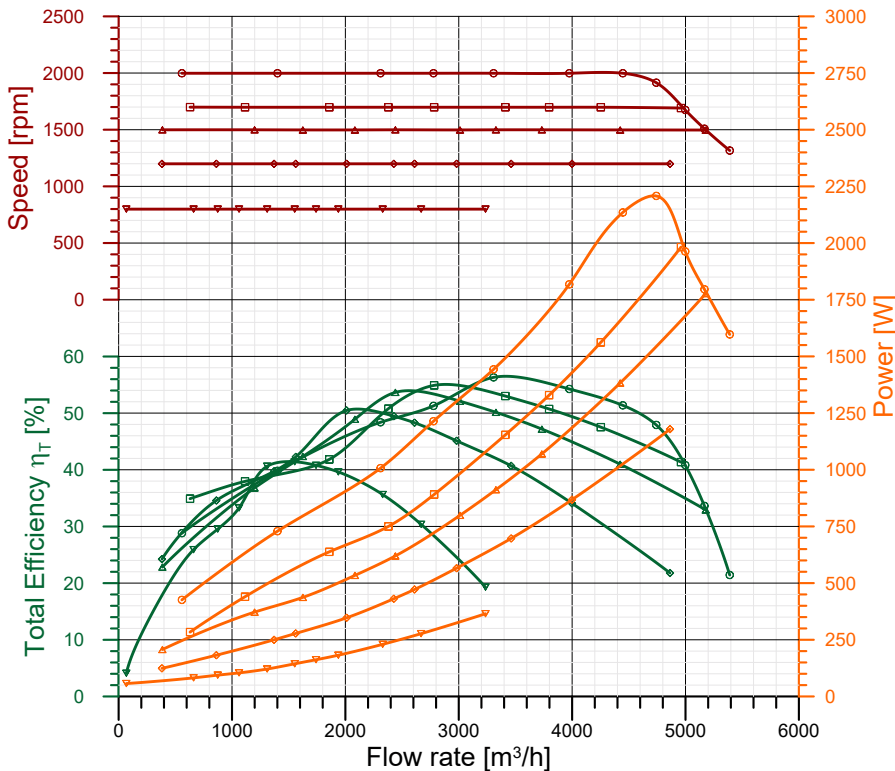
Power:	2140 W (input, max)	Protection Cl.:	IP 54 (Motor)
Poles:	8	Insulation Cl.:	F
Voltage:	400 V	Thermal prot.:	YES-Integral
Supply:	3~	Temp. Min:	-20 °C
Frequency:	50-60 Hz	Temp. Max:	+40(+50) °C
Capacitor:	n.a.	Current Max:	3.43 A

Performance data referring to:
 Standard air density $\rho = 1.20 \text{ kg/m}^3$
 Installation type "B": free inlet, ducted outlet
 Sound Power Levels shown are
 Inlet-side $L_{WA}(B, in+cas)$, A-weighted, in dBA

Integral speed-control by On-board Driver 1431G0



	qv m³/h	pfs Pa	Pe W	n rpm	I A	η_T %
○ Maximum performance curve (10 V)						
A	2310	720	1007	1998	1.58	48.4
B	3307	803	1443	1998	2.22	56.3
C	4447	740	2135	1998	3.25	51.4
D	4998	388	1963	1674	3.07	40.8
□ Performance at 1700 rpm						
A	1858	492	638	1698	1.04	41.8
B	2783	575	891	1698	1.38	54.9
C	3797	531	1329	1698	1.99	50.7
D	4960	409	1982	1691	3.00	41.4
△ Performance at 1500 rpm						
A	1625	390	437	1498	0.78	42.4
B	2441	446	620	1499	1.02	53.7
C	3328	411	912	1499	1.41	50.2
D	4424	313	1383	1498	2.07	41.0
◇ Performance at 1200 rpm						
A	1371	246	250	1199	0.55	39.7
B	2011	282	347	1199	0.68	50.5
C	2610	263	472	1199	0.84	48.3
D	3462	204	697	1199	1.12	40.7
▽ Performance at 800 rpm						
A	874	108	94	799	0.31	29.5
B	1310	123	121	799	0.35	40.6
C	1741	114	162	799	0.41	40.8
D	2329	86	230	799	0.51	35.6



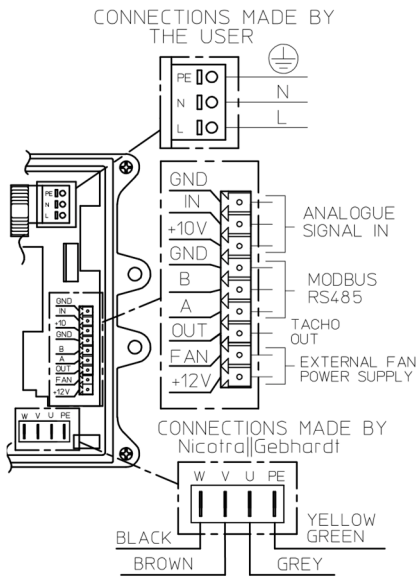
ErP Data acc. to Reg. 327/11/CE
 Performance referred to the best efficiency duty point

Compl. with Reg. 327/11/EC: Tier II (2015)
 Overall Efficiency ($\eta \times C_c$) [%]: 60.7
 Measurement category: B
 Efficiency category: Total
 Efficiency grade N [%]: 66.0
 A variable speed drive is integrated with this fan
 Manufactured since: 2019
 By: *Regal Beloit Italy S.p.A.*
Via Modena 18
24040 Ciserano - Italy
 Power input [kW]: 1.443
 Volume flow rate qv [m³/s]: 0.919
 Total Pressure [Pa]: 886
 Speed [rpm]: 1998
 Specific ratio: 1.009
 Information on:
 - Disassembly, recycling and disposal at end of life
 - Optimal installation, use and maintenance of fans
 are freely downloadable from
www.nicotra-gebhardt.com
 Testing is carried out with the optional components of the test airway required, according to ISO 5801:2007, for the installation type detailed here on top.

Test nr.: S5667 Date: 30/01/2019
 Laboratory: Nicotra Gebhardt S.p.A. - Zingonia
 Test chamber: 10000 m³/h

This test data obtained in a laboratory registered by AMCA for AMCA 210/07 air performance testing. Data is not certified by AMCA.

WIRING DIAGRAM SCHEMA DI COLLEGAMENTO

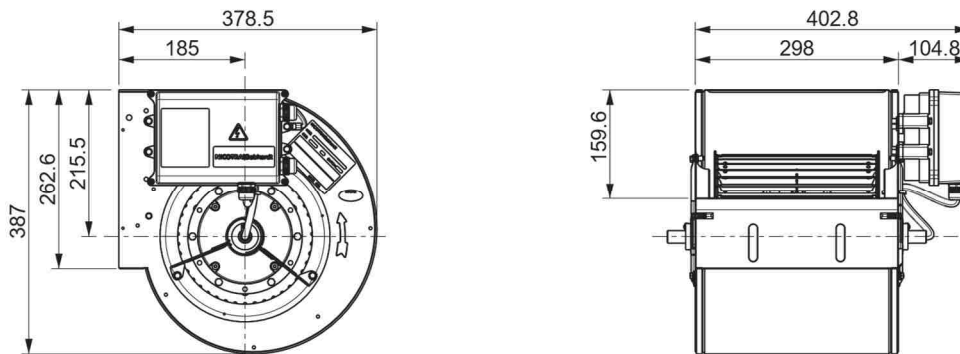


NOISE DATA DATI DI RUMORE

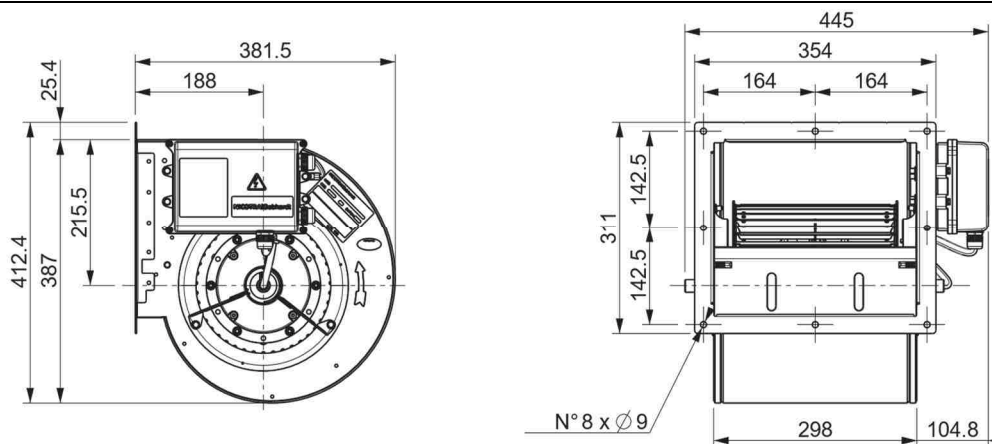
Working point		Sound power level for inlet side (L _w) in dB									
		m ³ /h	63	125	250	500	1k	2k	4k	8kHz	L _{wA}
230 V / 50 Hz	A	2310	84	87	93	79	76	75	72	66	87
Fan Maximum	B	3307	71	84	94	80	79	78	75	69	88
Working	C	4447	74	85	97	82	82	82	77	74	91
Limit	D	4998	78	84	88	83	86	83	78	77	90
230 V / 50 Hz	A	1858	78	83	87	74	73	71	72	64	81
1700 rpm	B	2783	68	81	87	76	76	73	73	66	83
	C	3797	72	87	87	79	81	78	73	69	85
	D	4960	76	85	89	82	85	83	78	77	89
230 V / 50 Hz	A	1625	80	82	84	72	70	68	61	55	78
1500 rpm	B	2441	69	82	84	73	72	70	67	61	79
	C	3328	73	87	85	76	76	75	70	65	82
	D	4424	77	82	88	79	81	80	76	73	87
230 V / 50 Hz	A	1371	73	77	77	67	65	63	55	48	72
1200 rpm	B	2011	66	78	78	68	68	66	59	52	74
	C	2610	67	77	80	71	71	70	64	58	77
	D	3462	71	82	83	74	76	75	70	65	81
230 V / 50 Hz	A	874	74	67	67	59	65	53	41	35	67
800 rpm	B	1310	66	67	69	61	65	56	45	38	68
	C	1741	67	68	72	63	67	61	52	43	70
	D	2329	72	73	74	67	69	66	60	52	74

DIMENSIONAL DRAWINGS DISEGNI DIMENSIONALI

6DD0055ZZ0000000 - DDMP 9/9 2.2kW 400V-3F M6A4-DG0



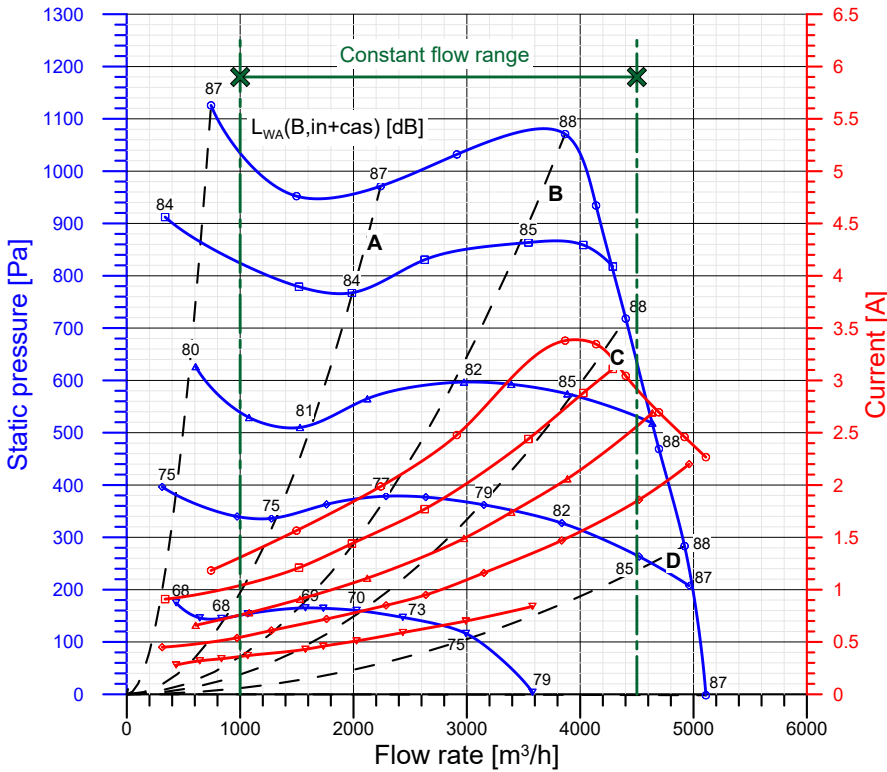
6DD0055ZZ0000001 - DDMP 9/9 2.2kW 400V-3F M6A4-DG0 +FL



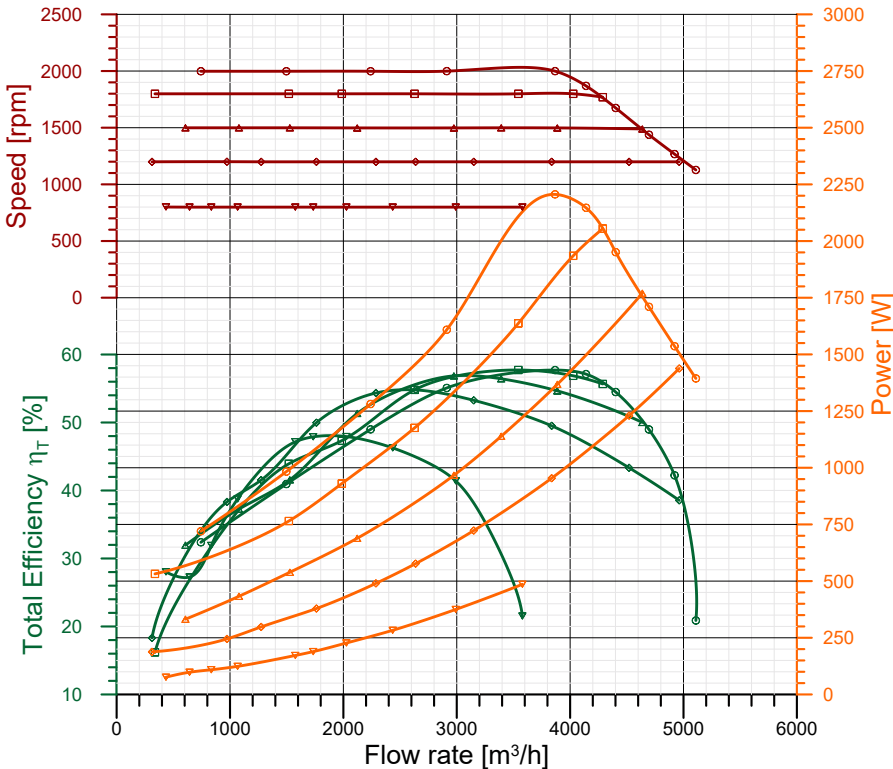
Power:	2210 W (input, max)	Protection Cl.:	IP 54 (Motor)
Poles:	8	Insulation Cl.:	F
Voltage:	400 V	Thermal prot.:	YES-Integral
Supply:	3~	Temp. Min:	-20 °C
Frequency:	50-60 Hz	Temp. Max:	+40(+50) °C
Capacitor:	n.a.	Current Max:	3.43 A

Performance data referring to:
 Standard air density $\rho = 1.20 \text{ kg/m}^3$
 Installation type "B": free inlet, ducted outlet
 Sound Power Levels shown are
 Inlet-side $L_{WA}(B, in+cas)$, A-weighted, in dBA

Integral speed-control by On-board Driver 1431G0



	qv m³/h	pfs Pa	Pe W	n rpm	I A	η_T %
○ Maximum performance curve (10 V)						
A	2240	971	1281	1998	1.99	49.0
B	3867	1071	2206	1999	3.38	57.7
C	4402	718	1951	1674	3.04	54.5
D	4921	283	1536	1267	2.46	42.2
□ Performance at 1800 rpm						
A	1986	768	930	1799	1.44	47.3
B	3543	864	1637	1799	2.44	57.7
C	n.a.	n.a.	n.a.	n.a.	n.a.	n.a.
D	n.a.	n.a.	n.a.	n.a.	n.a.	n.a.
△ Performance at 1500 rpm						
A	1528	510	539	1499	0.91	41.6
B	2975	597	967	1498	1.49	56.9
C	3887	574	1368	1498	2.06	54.7
D	n.a.	n.a.	n.a.	n.a.	n.a.	n.a.
◇ Performance at 1200 rpm						
A	1275	336	298	1199	0.61	41.5
B	2287	379	490	1199	0.85	54.3
C	3150	362	723	1199	1.16	53.3
D	4520	263	1230	1199	1.86	43.3
▽ Performance at 800 rpm						
A	835	145	109	799	0.34	31.9
B	1576	165	172	799	0.43	47.2
C	2027	160	227	799	0.51	47.9
D	2991	116	375	799	0.70	41.4



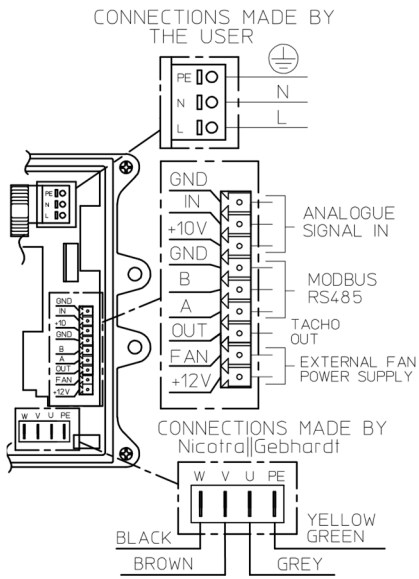
ErP Data acc. to Reg. 327/11/CE
 Performance referred to the best efficiency duty point

Compl. with Reg. 327/11/EC: Tier II (2015)
 Overall Efficiency ($\eta_x C_c$) [%]: 61.4
 Measurement category: B
 Efficiency category: Total
 Efficiency grade N [%]: 65.6
 A variable speed drive is integrated with this fan
 Manufactured since: 2019
 By: *Regal Beloit Italy S.p.A.*
Via Modena 18
24040 Ciserano - Italy
 Power input [kW]: 2.206
 Volume flow rate q_v [m³/s]: 1.074
 Total Pressure [Pa]: 1188
 Speed [rpm]: 1999
 Specific ratio: 1.012
 Information on:
 - Disassembly, recycling and disposal at end of life
 - Optimal installation, use and maintenance of fans
 are freely downloadable from
www.nicotra-gebhardt.com
 Testing is carried out with the optional components of the test airway required, according to ISO 5801:2007, for the installation type detailed here on top.

Test nr.: S5666 Date: 29/01/2019
 Laboratory: Nicotra Gebhardt S.p.A. - Zingonia
 Test chamber: 10000 m³/h

This test data obtained in a laboratory registered by AMCA for AMCA 210/07 air performance testing. Data is not certified by AMCA.

WIRING DIAGRAM SCHEMA DI COLLEGAMENTO

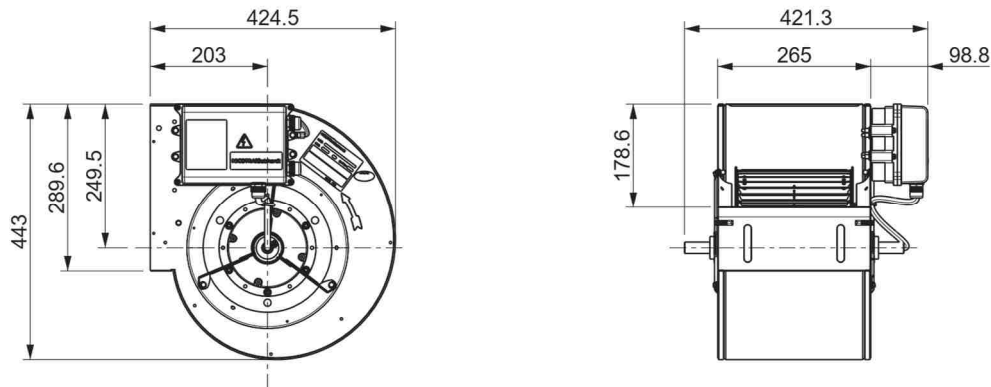


NOISE DATA DATI DI RUMORE

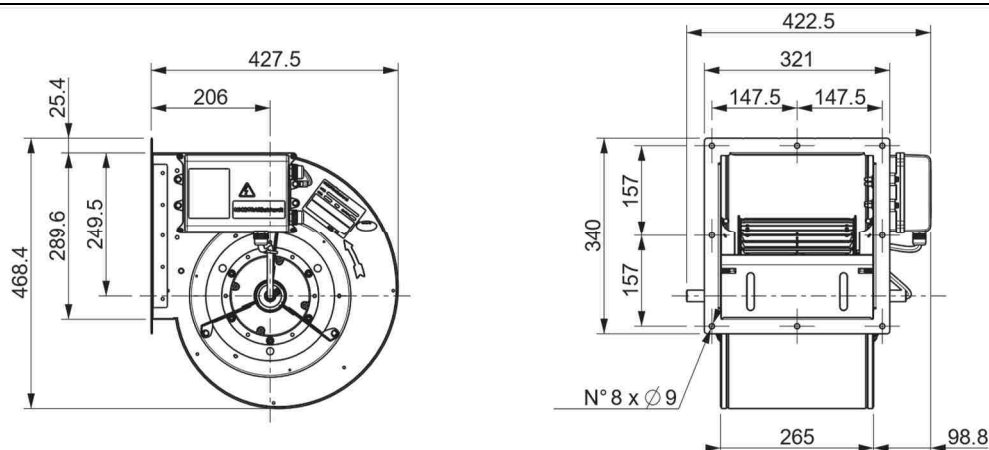
Working point		Sound power level for inlet side (Lw) in dB									
		m ³ /h	63	125	250	500	1k	2k	4k	8kHz	LwA
230 V / 50 Hz	A	2240	87	92	92	81	80	77	73	68	87
Fan Maximum	B	3867	73	86	90	82	82	80	75	72	88
Working	C	4402	76	85	87	81	84	79	75	71	88
Limit	D	4921	81	83	85	86	83	79	76	72	88
230 V / 50 Hz	A	1986	82	90	89	78	77	75	71	65	84
1800 rpm	B	3543	74	84	87	80	80	77	73	69	85
	C	n.a.	n.a.	n.a.	n.a.	n.a.	n.a.	n.a.	n.a.	n.a.	n.a.
	D	n.a.	n.a.	n.a.	n.a.	n.a.	n.a.	n.a.	n.a.	n.a.	n.a.
230 V / 50 Hz	A	1528	78	84	84	75	73	71	71	64	81
1500 rpm	B	2975	75	82	84	77	77	73	74	68	82
	C	3887	73	82	88	78	80	76	74	69	85
	D	n.a.	n.a.	n.a.	n.a.	n.a.	n.a.	n.a.	n.a.	n.a.	n.a.
230 V / 50 Hz	A	1275	75	79	79	70	68	66	60	52	75
1200 rpm	B	2287	66	81	80	72	70	68	63	56	77
	C	3150	68	85	80	74	74	72	67	61	79
	D	4520	78	85	84	77	80	77	74	70	85
230 V / 50 Hz	A	835	68	70	68	64	65	57	48	37	68
800 rpm	B	1576	64	70	70	65	66	59	51	41	69
	C	2027	64	71	70	67	66	63	55	47	70
	D	2991	74	72	74	71	70	69	64	58	75

DIMENSIONAL DRAWINGS DISEGNI DIMENSIONALI

6DD0046ZZ0000000 - DDMP 10/8 2.2kW 400V-3F M6A4-DG0



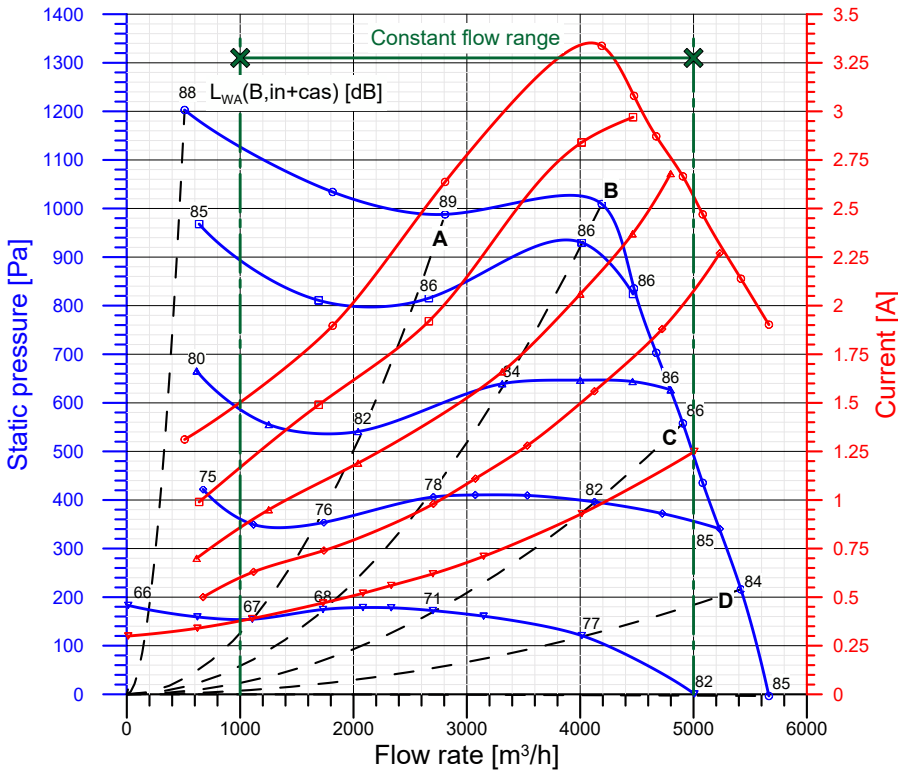
6DD0046ZZ0000001 - DDMP 10/8 2.2kW 400V-3F M6A4-DG0 +FL



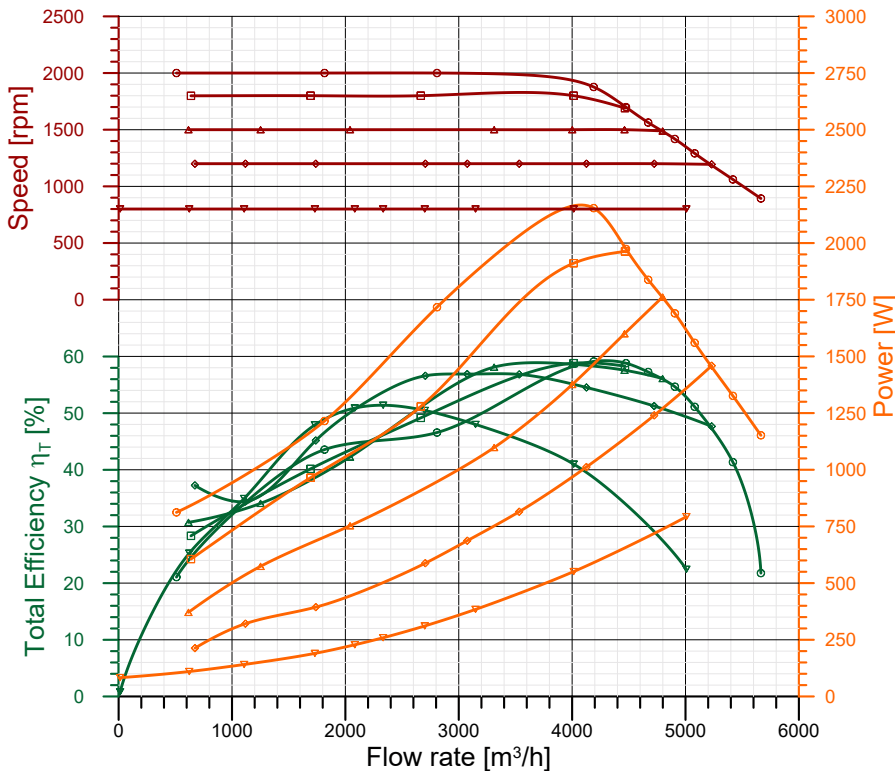
Power:	2150 W (input, max)	Protection Cl.:	IP 54 (Motor)
Poles:	8	Insulation Cl.:	F
Voltage:	400 V	Thermal prot.:	YES-Integral
Supply:	3~	Temp. Min:	-20 °C
Frequency:	50-60 Hz	Temp. Max:	+40(+50) °C
Capacitor:	n.a.	Current Max:	3.34 A

Performance data referring to:
 Standard air density $\rho = 1.20 \text{ kg/m}^3$
 Installation type "B": free inlet, ducted outlet
 Sound Power Levels shown are
 Inlet-side $L_{WA}(B, in+cas)$, A-weighted, in dBA

Integral speed-control by On-board Driver 1431G0



	qv m³/h	pfs Pa	Pe W	n rpm	I A	η_T %
○ Maximum performance curve (10 V)						
A	2808	988	1717	2000	2.64	46.6
B	4190	1009	2154	1877	3.34	59.1
C	4906	558	1690	1418	2.67	54.7
D	5418	216	1326	1061	2.14	41.4
□ Performance at 1800 rpm						
A	2665	816	1279	1800	1.92	49.2
B	4013	930	1911	1800	2.84	58.8
C	n.a.	n.a.	n.a.	n.a.	n.a.	n.a.
D	n.a.	n.a.	n.a.	n.a.	n.a.	n.a.
△ Performance at 1500 rpm						
A	2041	541	753	1500	1.19	42.3
B	3312	639	1098	1500	1.66	58.1
C	4798	627	1762	1489	2.68	56.1
D	n.a.	n.a.	n.a.	n.a.	n.a.	n.a.
◇ Performance at 1200 rpm						
A	1739	354	394	1200	0.74	45.2
B	2705	406	588	1200	0.98	56.6
C	4126	396	1012	1200	1.56	54.5
D	5231	341	1459	1194	2.27	47.7
▽ Performance at 800 rpm						
A	1107	155	141	800	0.39	34.9
B	1731	175	190	800	0.47	47.9
C	2700	172	311	800	0.62	50.5
D	4014	121	551	800	0.93	41.0



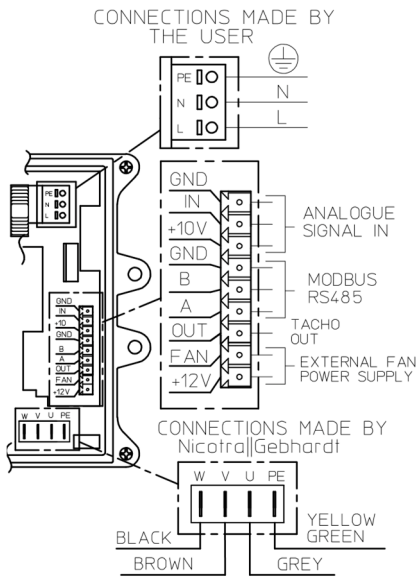
ErP Data acc. to Reg. 327/11/CE
 Performance referred to the best efficiency duty point

Compl. with Reg. 327/11/EC: Tier II (2015)
 Overall Efficiency ($\eta_x C_c$) [%]: 63.0
 Measurement category: B
 Efficiency category: Total
 Efficiency grade N [%]: 67.2
 A variable speed drive is integrated with this fan
 Manufactured since: 2019
 By: *Regal Beloit Italy S.p.A.*
Via Modena 18
24040 Ciserano - Italy
 Power input [kW]: 2.154
 Volume flow rate q_v [m³/s]: 1.164
 Total Pressure [Pa]: 1097
 Speed [rpm]: 1877
 Specific ratio: 1.011
 Information on:
 - Disassembly, recycling and disposal at end of life
 - Optimal installation, use and maintenance of fans
 are freely downloadable from
www.nicotra-gebhardt.com
 Testing is carried out with the optional
 components of the test airway required,
 according to ISO 5801:2007, for the
 installation type detailed here on top.

Test nr.: S5665 Date: 29/01/2019
 Laboratory: Nicotra Gebhardt S.p.A. - Zingonia
 Test chamber: 10000 m³/h

This test data obtained in a laboratory registered
 by AMCA for AMCA 210/07 air performance testing.
 Data is not certified by AMCA.

WIRING DIAGRAM SCHEMA DI COLLEGAMENTO

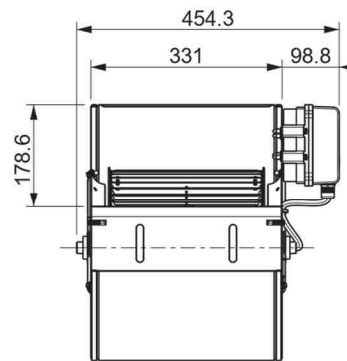
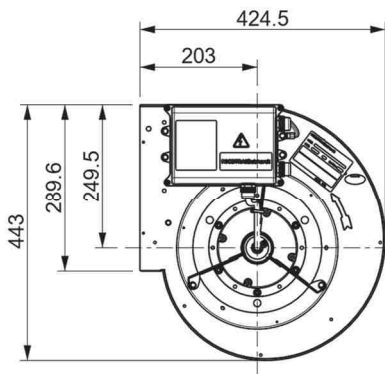


NOISE DATA DATI DI RUMORE

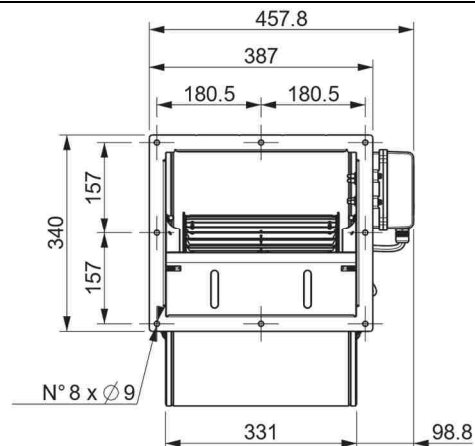
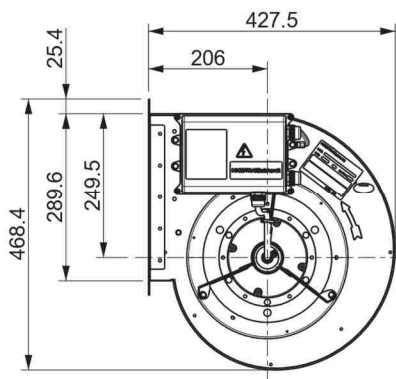
Working point		Sound power level for inlet side (L _w) in dB									
		m ³ /h	63	125	250	500	1k	2k	4k	8kHz	L _{wA}
230 V / 50 Hz	A	2808	82	94	94	85	79	79	74	68	89
Fan Maximum	B	4190	74	86	93	86	79	78	73	69	88
Working	C	4906	74	81	91	79	79	76	73	68	86
Limit	D	5418	80	87	85	78	78	77	74	69	84
230 V / 50 Hz	A	2665	79	92	92	80	77	76	71	65	86
1800 rpm	B	4013	71	85	91	80	78	77	72	68	86
	C	n.a.	n.a.	n.a.	n.a.	n.a.	n.a.	n.a.	n.a.	n.a.	n.a.
	D	n.a.	n.a.	n.a.	n.a.	n.a.	n.a.	n.a.	n.a.	n.a.	n.a.
230 V / 50 Hz	A	2041	75	87	88	75	73	71	67	59	82
1500 rpm	B	3312	69	84	91	76	75	72	68	62	84
	C	4798	73	81	92	79	78	76	72	68	86
	D	n.a.	n.a.	n.a.	n.a.	n.a.	n.a.	n.a.	n.a.	n.a.	n.a.
230 V / 50 Hz	A	1739	72	82	82	69	68	66	60	52	76
1200 rpm	B	2705	66	85	83	70	69	67	63	55	78
	C	4126	70	90	87	73	74	73	68	63	82
	D	5231	76	92	89	76	78	76	73	69	85
230 V / 50 Hz	A	1107	65	72	71	63	60	57	48	38	67
800 rpm	B	1731	65	72	71	64	61	58	51	41	68
	C	2700	65	73	74	67	64	64	57	49	71
	D	4014	75	78	77	71	71	71	67	60	77

DIMENSIONAL DRAWINGS DISEGNI DIMENSIONALI

6DD0066ZZ0000000 - DDMP 10/10 2.2kW 400V-3F M6A4-DG0



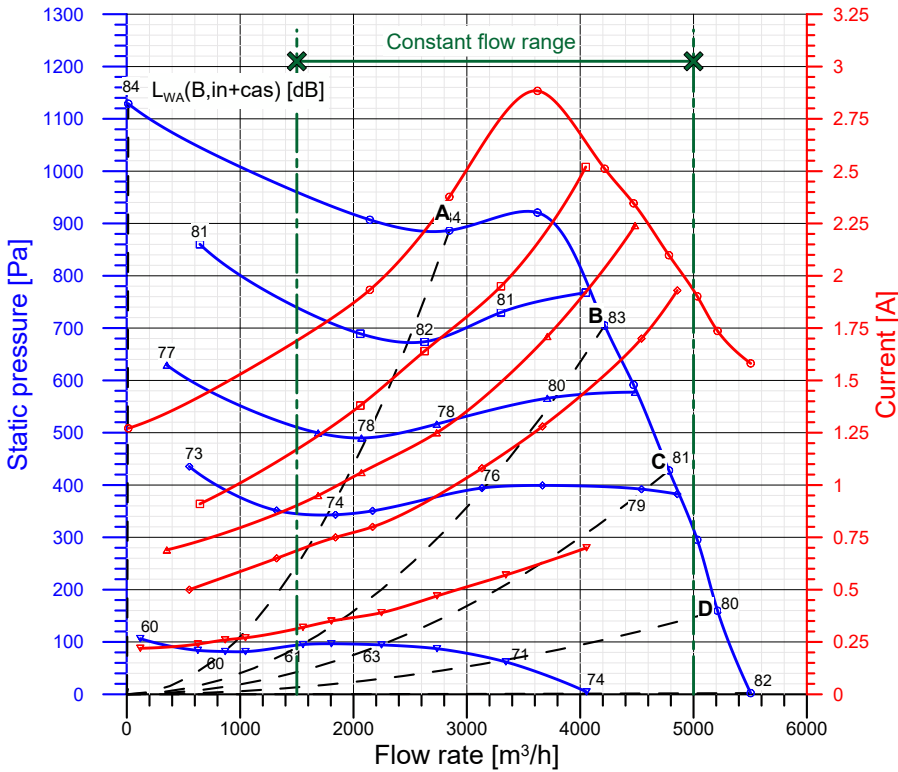
6DD0066ZZ0000001 - DDMP 10/10 2.2kW 400V-3F M6A4-DG0 +FL



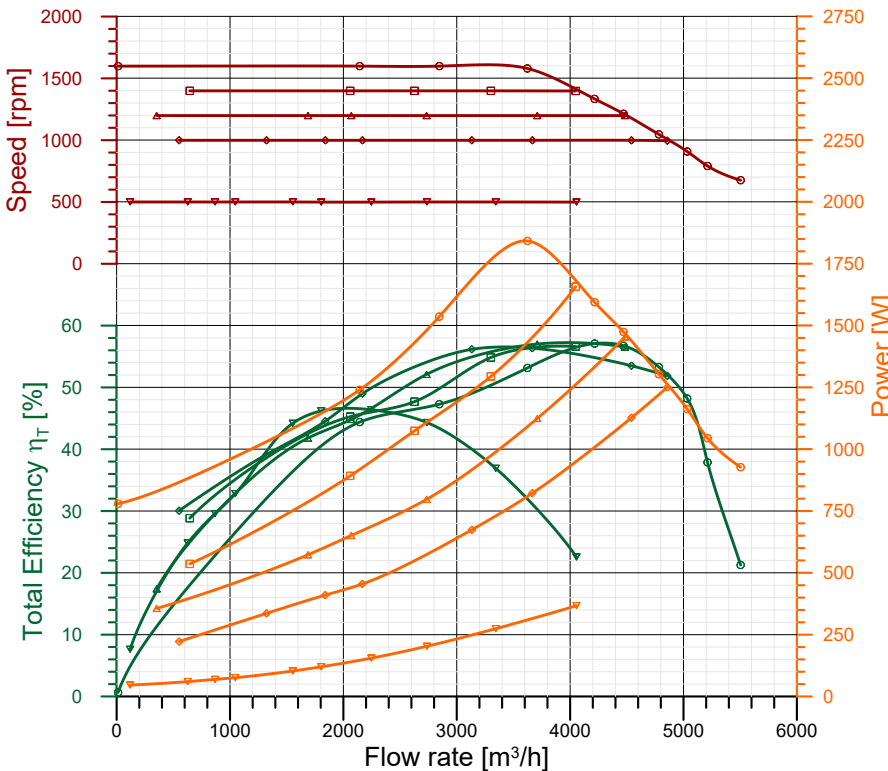
Power:	1850 W (input, max)	Protection Cl.:	IP 54 (Motor)
Poles:	8	Insulation Cl.:	F
Voltage:	400 V	Thermal prot.:	YES-Integral
Supply:	3~	Temp. Min:	-20 °C
Frequency:	50-60 Hz	Temp. Max:	+40(+50) °C
Capacitor:	n.a.	Current Max:	2.88 A

Performance data referring to:
 Standard air density $\rho = 1.20 \text{ kg/m}^3$
 Installation type "B": free inlet, ducted outlet
 Sound Power Levels shown are
 Inlet-side $L_{WA}(B, in+cas)$, A-weighted, in dBA

Integral speed-control by On-board Driver 1431G0



	qv m³/h	pfs Pa	Pe W	n rpm	I A	η_T %
○ Maximum performance curve (10 V)						
A	2846	887	1536	1599	2.38	47.3
B	4216	705	1594	1334	2.51	57.1
C	4783	428	1303	1047	2.10	53.3
D	5212	160	1044	791	1.74	37.9
□ Performance at 1400 rpm						
A	2627	674	1074	1399	1.64	47.7
B	4049	768	1657	1398	2.52	56.6
C	n.a.	n.a.	n.a.	n.a.	n.a.	n.a.
D	n.a.	n.a.	n.a.	n.a.	n.a.	n.a.
△ Performance at 1200 rpm						
A	2070	490	651	1199	1.06	44.8
B	3710	566	1124	1199	1.71	57.0
C	n.a.	n.a.	n.a.	n.a.	n.a.	n.a.
D	n.a.	n.a.	n.a.	n.a.	n.a.	n.a.
◇ Performance at 1000 rpm						
A	1841	343	410	999	0.75	44.6
B	3133	394	674	999	1.08	56.2
C	4541	392	1127	999	1.70	53.5
D	n.a.	n.a.	n.a.	n.a.	n.a.	n.a.
▽ Performance at 500 rpm						
A	868	82	69	500	0.26	29.6
B	1554	95	103	500	0.32	44.2
C	2247	94	155	499	0.39	46.4
D	3344	62	274	500	0.57	36.9



ErP Data acc. to Reg. 327/11/CE
 Performance referred to the best efficiency duty point

Compl. with Reg. 327/11/EC: Tier II (2015)
 Overall Efficiency ($\eta \times C_c$) [%]: 61.3
 Measurement category: B
 Efficiency category: Total
 Efficiency grade N [%]: 66.4
 A variable speed drive is integrated with this fan
 Manufactured since: 2019
 By:
 Regal Beloit Italy S.p.A.
 Via Modena 18
 24040 Ciserano - Italy
 Power input [kW]: 1.594
 Volume flow rate q_v [m³/s]: 1.171
 Total Pressure [Pa]: 779
 Speed [rpm]: 1334
 Specific ratio: 1.008
 Information on:
 - Disassembly, recycling and disposal at end of life
 - Optimal installation, use and maintenance of fans
 are freely downloadable from
www.nicotra-gebhardt.com
 Testing is carried out with the optional
 components of the test airway required,
 according to ISO 5801:2007, for the
 installation type detailed here on top.

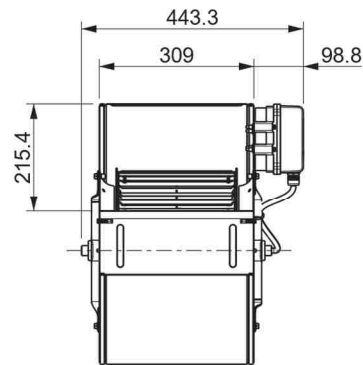
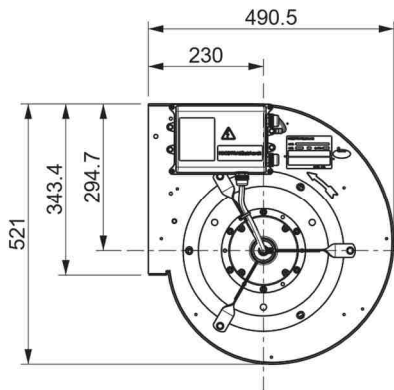
Test nr.: S5669 Date: 30/01/2019
 Laboratory: Nicotra Gebhardt S.p.A. - Zingonia
 Test chamber: 10000 m³/h

This test data obtained in a laboratory registered
 by AMCA for AMCA 210/07 air performance testing.
 Data is not certified by AMCA.

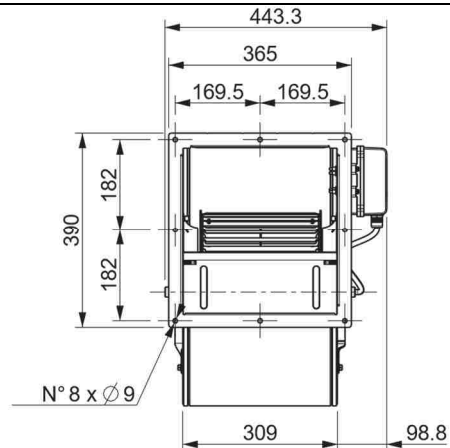
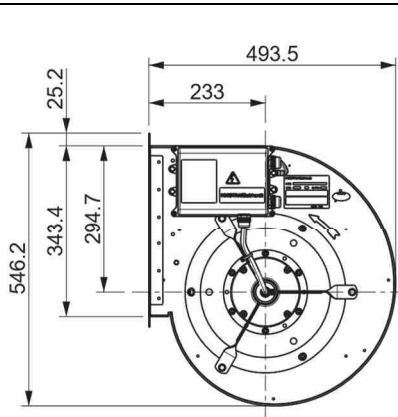
WIRING DIAGRAM SCHEMA DI COLLEGAMENTO		NOISE DATA DATI DI RUMORE											
		Working point		Sound power level for inlet side (L _w) in dB									
			m ³ /h	63	125	250	500	1k	2k	4k	8kHz	L _{WA}	
		230 V / 50 Hz	A	2846	79	89	88	79	77	75	71	66	84
		Fan Maximum	B	4216	70	81	84	78	78	74	70	64	83
		Working	C	4783	72	79	77	80	77	73	69	63	81
		Limit	D	5212	80	78	77	77	75	74	71	64	80
		230 V / 50 Hz	A	2627	80	86	86	76	75	72	68	62	82
		1400 rpm	B	4049	74	84	84	78	79	74	70	65	83
			C	n.a.	n.a.	n.a.	n.a.	n.a.	n.a.	n.a.	n.a.	n.a.	n.a.
			D	n.a.	n.a.	n.a.	n.a.	n.a.	n.a.	n.a.	n.a.	n.a.	n.a.
		230 V / 50 Hz	A	2070	74	82	81	73	71	69	65	57	78
		1200 rpm	B	3710	69	79	81	75	75	71	67	61	80
			C	n.a.	n.a.	n.a.	n.a.	n.a.	n.a.	n.a.	n.a.	n.a.	n.a.
			D	n.a.	n.a.	n.a.	n.a.	n.a.	n.a.	n.a.	n.a.	n.a.	n.a.
		230 V / 50 Hz	A	1841	70	79	77	70	67	65	59	52	74
		1000 rpm	B	3133	73	77	76	71	72	67	62	55	76
			C	4541	70	78	77	74	75	72	68	62	79
			D	n.a.	n.a.	n.a.	n.a.	n.a.	n.a.	n.a.	n.a.	n.a.	n.a.
		230 V / 50 Hz	A	868	65	62	61	60	52	48	36	31	60
		500 rpm	B	1554	64	62	62	60	54	51	40	32	61
			C	2247	65	62	64	61	58	56	46	39	63
			D	3344	75	67	69	66	65	65	58	50	71

DIMENSIONAL DRAWINGS DISEGNI DIMENSIONALI

6DD0058ZZ0000000 - DDMP 12/9 1.9kW 400V-3F M6A4-DG0



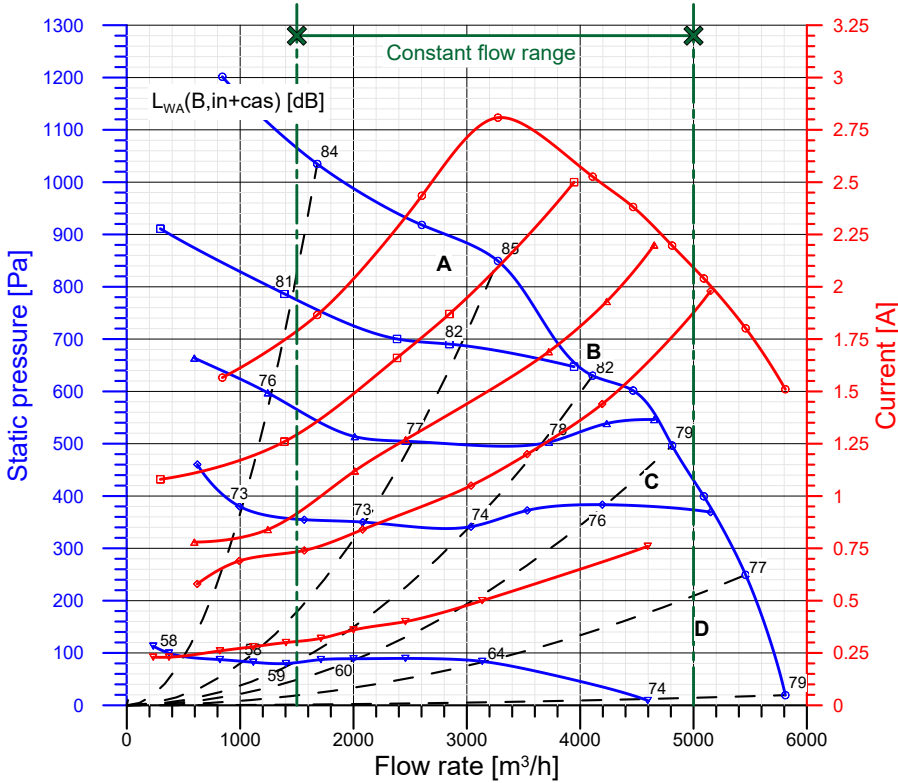
6DD0058ZZ0000001 - DDMP 12/9 1.9kW 400V-3F M6A4-DG0 +FL



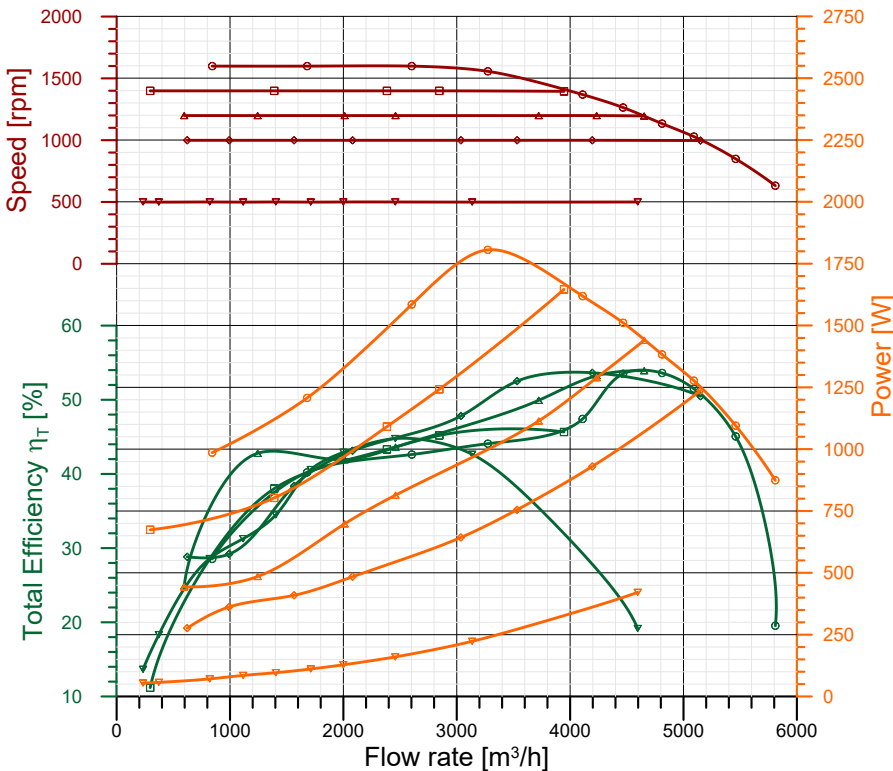
Power:	1810 W (input, max)	Protection Cl.:	IP 54 (Motor)
Poles:	8	Insulation Cl.:	F
Voltage:	400 V	Thermal prot.:	YES-Integral
Supply:	3~	Temp. Min:	-20 °C
Frequency:	50-60 Hz	Temp. Max:	+40(+50) °C
Capacitor:	n.a.	Current Max:	2.81 A

Performance data referring to:
 Standard air density $\rho = 1.20 \text{ kg/m}^3$
 Installation type "B": free inlet, ducted outlet
 Sound Power Levels shown are
 Inlet-side $L_{WA}(B, in+cas)$, A-weighted, in dBA

**Integral speed-control by
 On-board Driver 1431G0**



	qv m³/h	pfs Pa	Pe W	n rpm	I A	η_T %
○ Maximum performance curve (10 V)						
A	3274	849	1806	1557	2.81	44.1
B	4110	630	1619	1369	2.53	47.4
C	4811	497	1383	1134	2.20	53.6
D	5460	249	1095	849	1.80	45.1
□ Performance at 1400 rpm						
A	2846	690	1242	1399	1.87	45.2
B	3946	647	1646	1395	2.50	45.7
C	n.a.	n.a.	n.a.	n.a.	n.a.	n.a.
D	n.a.	n.a.	n.a.	n.a.	n.a.	n.a.
△ Performance at 1200 rpm						
A	2460	505	814	1199	1.27	43.6
B	3723	503	1114	1199	1.69	49.9
C	4653	546	1440	1196	2.20	53.9
D	n.a.	n.a.	n.a.	n.a.	n.a.	n.a.
◇ Performance at 1000 rpm						
A	2081	350	484	999	0.84	43.1
B	3037	341	643	999	1.05	47.8
C	4195	384	930	999	1.44	53.6
D	n.a.	n.a.	n.a.	n.a.	n.a.	n.a.
▽ Performance at 500 rpm						
A	1116	82	85	499	0.28	31.3
B	1404	80	96	500	0.30	34.5
C	2000	89	128	500	0.36	42.9
D	3136	84	223	499	0.50	42.7



ErP Data acc. to Reg. 327/11/CE

Performance referred to the best efficiency duty point

Compl. with Reg. 327/11/EC: Tier II (2015)
 Overall Efficiency ($\eta \times C_c$) [%]: 57.8
 Measurement category: B
 Efficiency category: Total
 Efficiency grade N [%]: 63.2
 A variable speed drive is integrated with this fan
 Manufactured since: 2019
 By:
 Regal Beloit Italy S.p.A.
 Via Modena 18
 24040 Ciserano - Italy
 Power input [kW]: 1.383
 Volume flow rate qv [m³/s]: 1.336
 Total Pressure [Pa]: 556
 Speed [rpm]: 1134
 Specific ratio: 1.005
 Information on:
 - Disassembly, recycling and disposal at end of life
 - Optimal installation, use and maintenance of fans
 are freely downloadable from
www.nicotra-gebhardt.com
 Testing is carried out with the optional
 components of the test airway required,
 according to ISO 5801:2007, for the
 installation type detailed here on top.

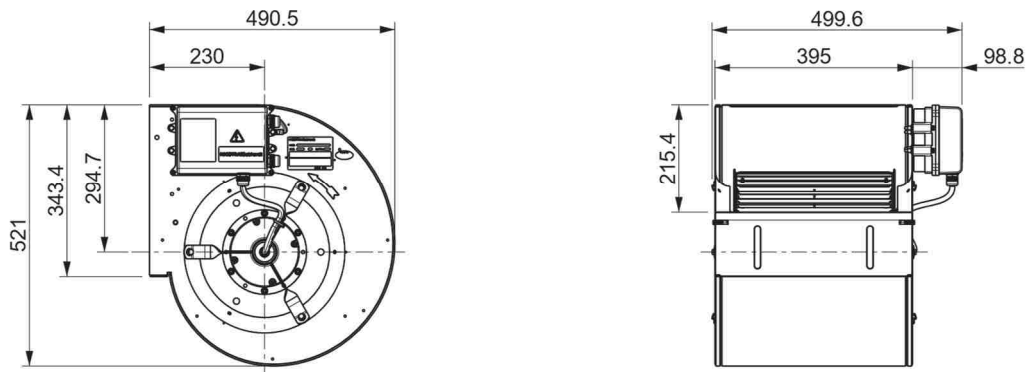
Test nr.: S5668 Date: 30/01/2019
 Laboratory: Nicotra Gebhardt S.p.A. - Zingonia
 Test chamber: 10000 m³/h

This test data obtained in a laboratory registered
 by AMCA for AMCA 210/07 air performance testing.
 Data is not certified by AMCA.

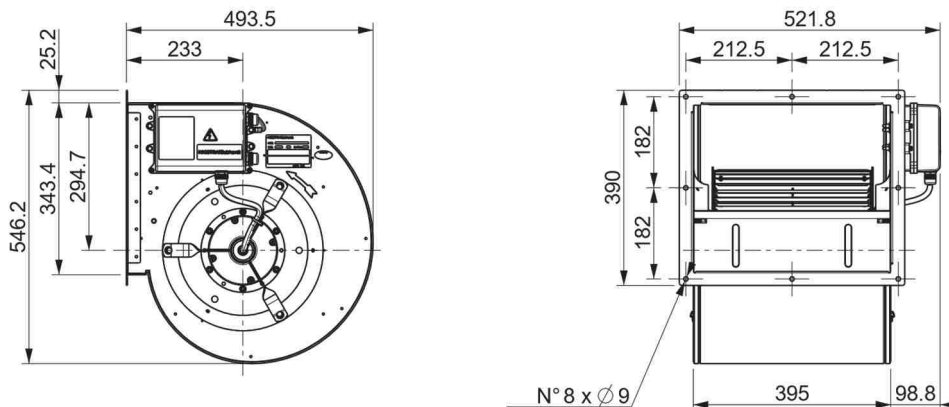
WIRING DIAGRAM SCHEMA DI COLLEGAMENTO		NOISE DATA DATI DI RUMORE											
		Working point		Sound power level for inlet side (L _w) in dB									
			m ³ /h	63	125	250	500	1k	2k	4k	8kHz	L _{wA}	
		230 V / 50 Hz	A	3274	82	91	91	77	76	74	70	63	85
		Fan Maximum	B	4110	76	87	85	80	74	71	67	60	82
		Working	C	4811	71	83	82	74	74	69	65	58	79
		Limit	D	5460	77	79	80	73	70	68	65	58	77
		230 V / 50 Hz	A	2846	81	88	85	81	73	71	67	60	82
		1400 rpm	B	3946	81	88	85	83	76	71	68	60	83
			C	n.a.	n.a.	n.a.	n.a.	n.a.	n.a.	n.a.	n.a.	n.a.	n.a.
			D	n.a.	n.a.	n.a.	n.a.	n.a.	n.a.	n.a.	n.a.	n.a.	n.a.
		230 V / 50 Hz	A	2460	74	85	82	71	70	68	63	55	77
		1200 rpm	B	3723	71	83	82	72	71	68	64	56	78
			C	4653	71	83	83	73	74	69	66	58	79
			D	n.a.	n.a.	n.a.	n.a.	n.a.	n.a.	n.a.	n.a.	n.a.	n.a.
		230 V / 50 Hz	A	2081	70	80	77	67	66	63	58	49	73
		1000 rpm	B	3037	68	79	78	68	67	64	59	50	74
			C	4195	70	80	78	71	70	66	62	54	76
			D	n.a.	n.a.	n.a.	n.a.	n.a.	n.a.	n.a.	n.a.	n.a.	n.a.
		230 V / 50 Hz	A	1116	67	63	61	56	52	46	35	30	58
		500 rpm	B	1404	67	63	61	56	53	47	36	31	59
			C	2000	69	69	62	57	54	49	39	31	60
			D	3136	72	68	67	59	58	56	49	41	64

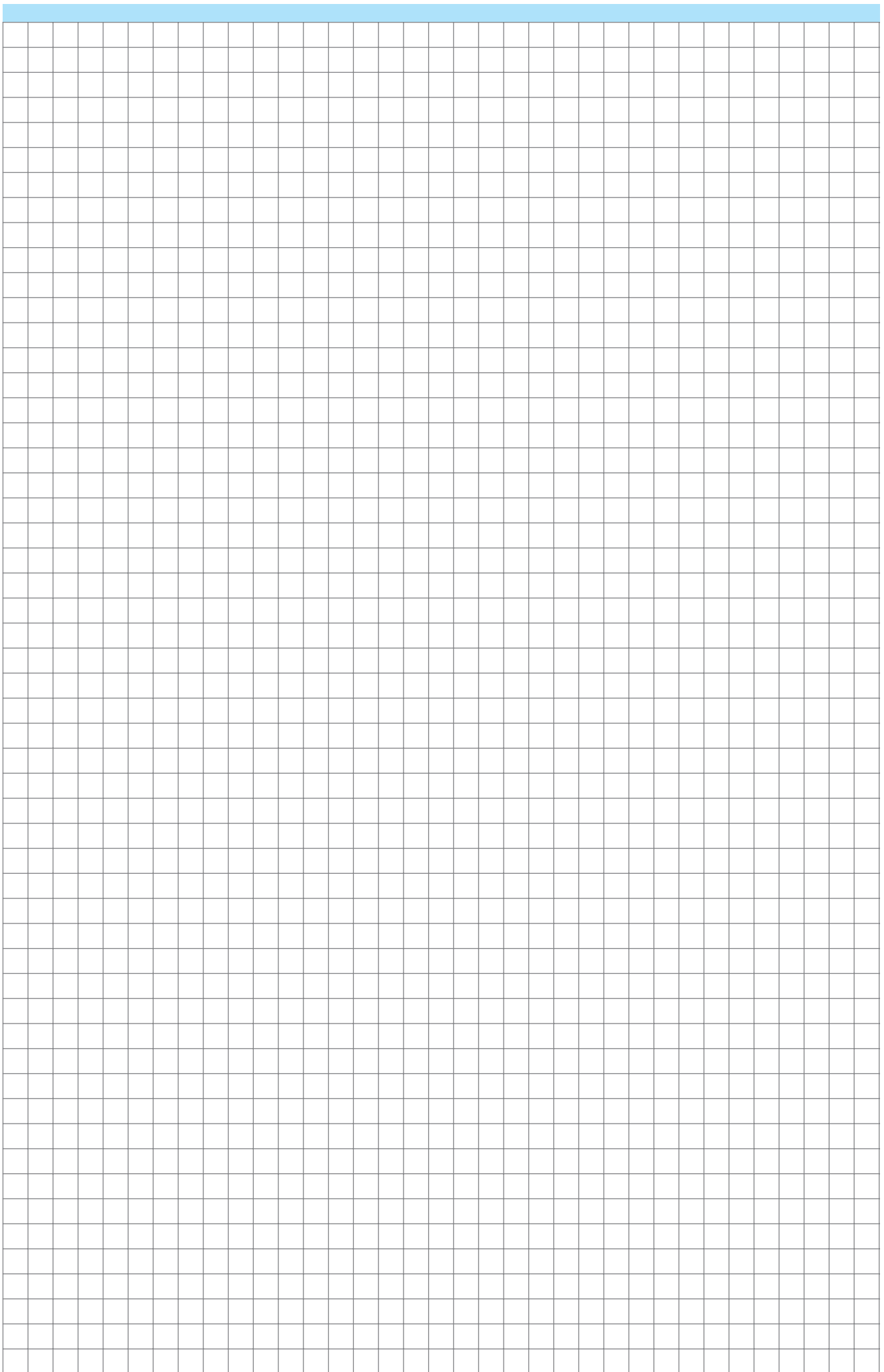
DIMENSIONAL DRAWINGS DISEGNI DIMENSIONALI

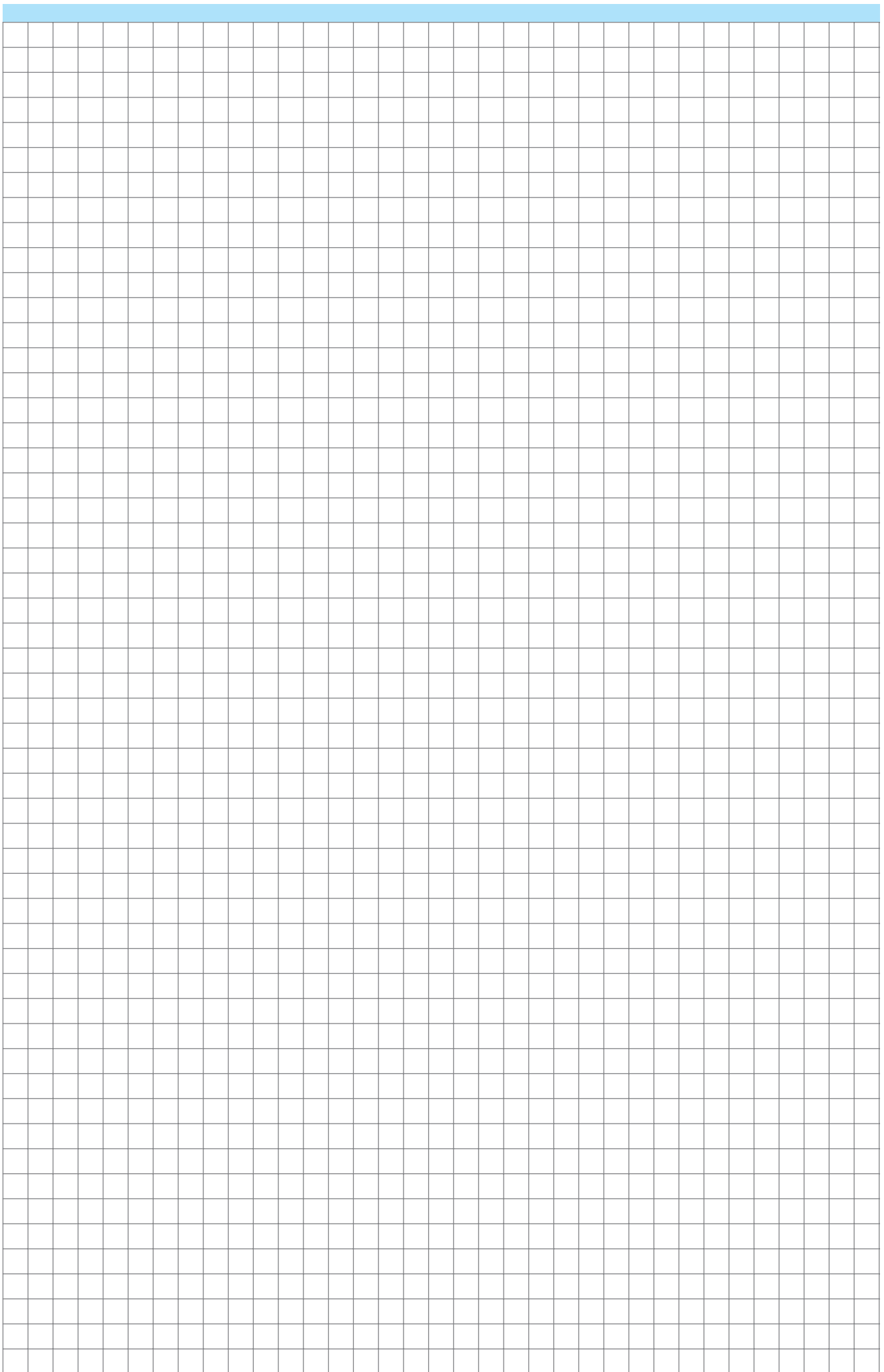
6DD0088ZZ0000000 – DDMP 12/12 1.8kW 400V-3F M6A4-DG0



6DD0088ZZ0000001 – DDMP 12/12 1.8kW 400V-3F M6A4-DG0 +FL









NICOTRA | Gebhardt®

Nicotra Gebhardt Germany
Nicotra Gebhardt GmbH
Gebhardtstraße 19-25
74638 Waldenburg (Germany)
Phone +49 7942 1010
Fax +49 7942 101 170
E-Mail info.ng.de@regalbeloit.com
Web www.nicotra-gebhardt.com

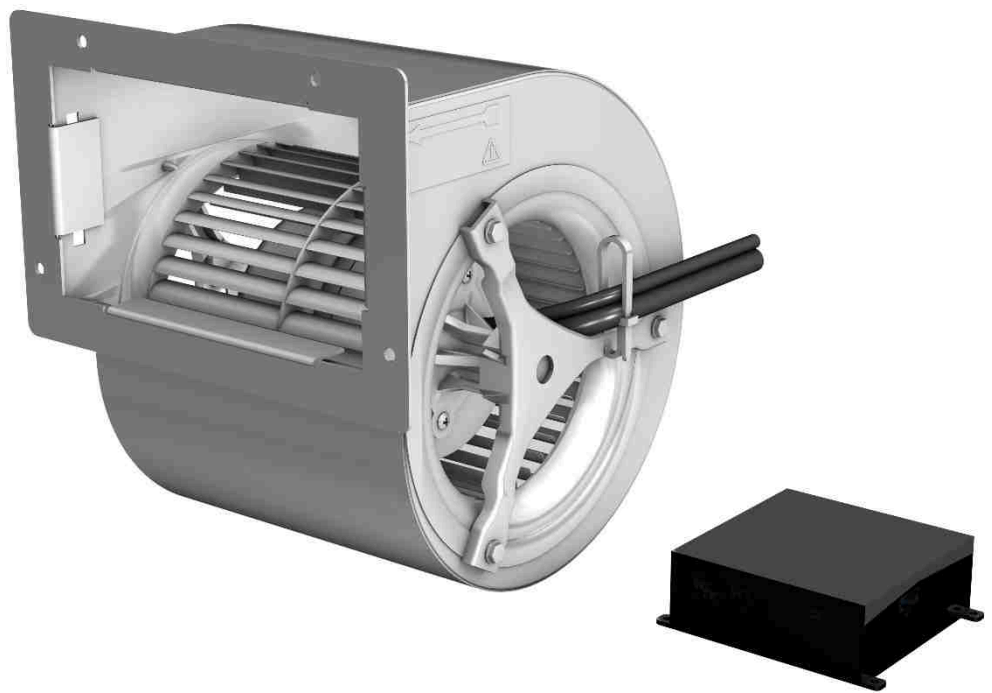
Nicotra Gebhardt Italy
Regal Beloit Italy S.p.A.
Via Modena, 18
24040 Zingonia (BG) (Italy)
Phone +39 035 873 111
Fax +39 035 884 319
E-mail info.ng.it@regalbeloit.com
Web www.nicotra-gebhardt.com

APPLICATION CONSIDERATIONS

The proper selection and application of products and components, including the related area of product safety, is the responsibility of the customer. Operating and performance requirements and potential associated issues will vary appreciably depending upon the use and application of such products and components. The scope of the technical and application information included in this publication is necessarily limited. Unusual operating environments and conditions, lubrication requirements, loading supports, and other factors can materially affect the application and operating results of the products and components and the customer should carefully review its requirements. Any technical advice or review furnished by Regal Beloit America, Inc. and/or its affiliates ("Regal") with respect to the use of products and components is given in good faith and without charge, and Regal assumes no obligation or liability for the advice given, or results obtained, all such advice and review being given and accepted at customer's risk.

For a copy of our Standard Terms and Conditions of Sale, please visit <https://www.regalbeloit.com/Terms-and-Conditions-of-Sale>. These terms and conditions of sale, disclaimers and limitations of liability apply to any person who may buy, acquire or use a Regal product referred to herein, including any person who buys from a licensed distributor of these branded products.

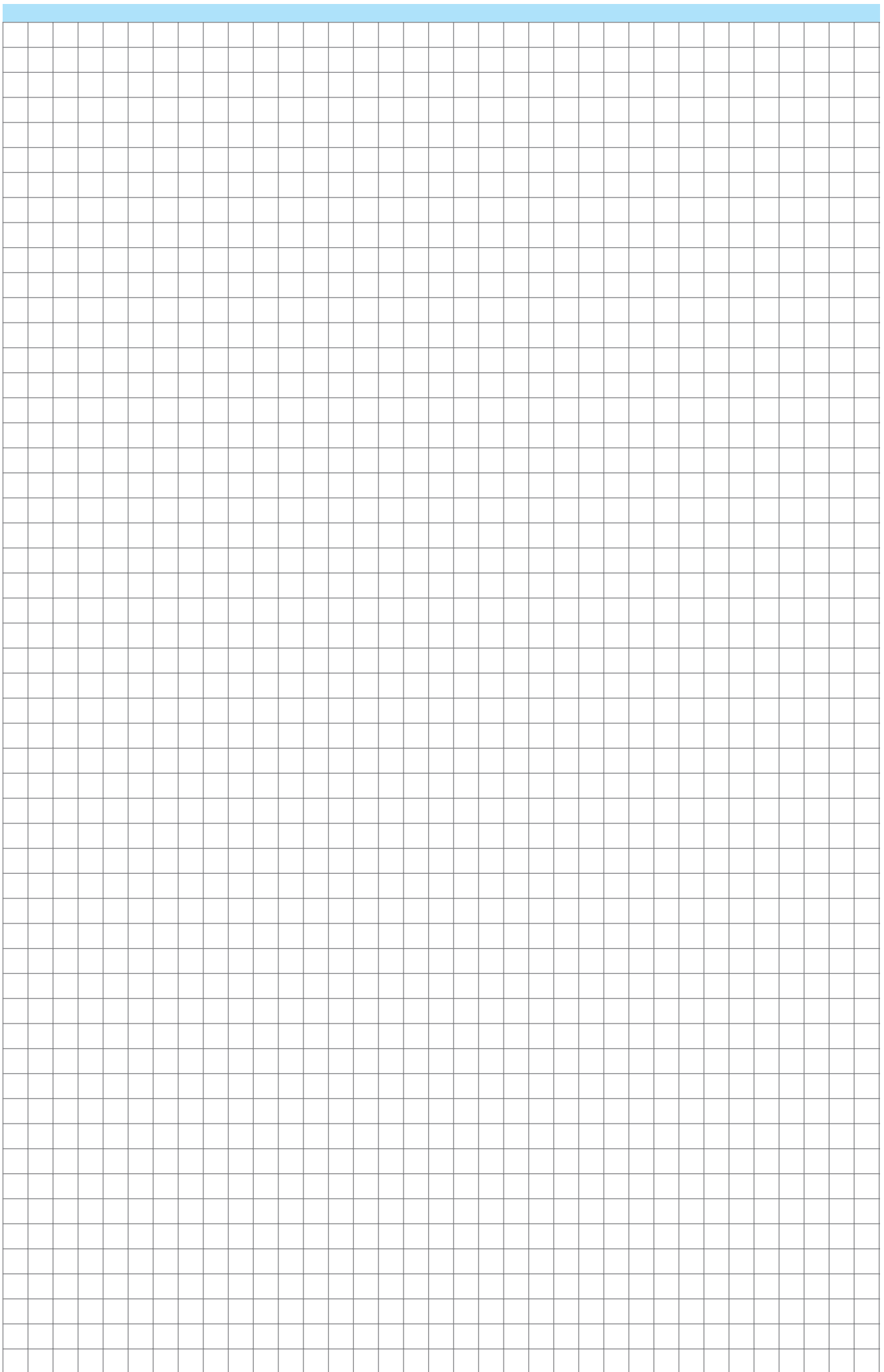




DDMP

SMALL-METRIC SIZES

CATALOGUE 2021



The DDMP “metric-range”

The DDMP range has a downward extension, to relatively tiny fans, of sizes of 146 mm or less, with power input limited to 220 W, single-phase.

These fans retain the high operating efficiency of their larger and more powerful relatives, but have been simplified to reduce their cost.

The driver is provided with a passive EMC filter, very effective but much simpler than the active unit adopted on the 1 kW and 2 kW units.

On these fans there is no Modbus interface, and the operating mode is limited to a simple speed control, with the fan speed proportional to the analogue input voltage (0-10 Vdc or PWM).

Power supply for a potentiometer and a tachometric output are also provided.

Because of the very small size of the scroll of these fans, the 220W drivers are not fitted to the side-plate of the fans, but are supplied separately, and are connected to the motor cables with quick-connection plugs.

Specifications

Direct-driven, double-inlet forward-curved centrifugal fan, with high-efficiency drive system.

The drive system includes a high-efficiency external-rotor permanent-magnet motor and an electronic motor driver, providing speed-control and self-protection against overloading or overheating.

The external-rotor motor is directly integrated in the hub of the impeller and is supported on streamlined brackets, incorporating integral vibration dampers.

The single-phase 220 W drivers are delivered loose, to be installed besides the fan, and are connected to the motors with quick-attachment plugs.

The drivers provide speed control according to an analogue input signal, and incorporate a passive EMC filter, to restrict harmonic distortion on the supply network.

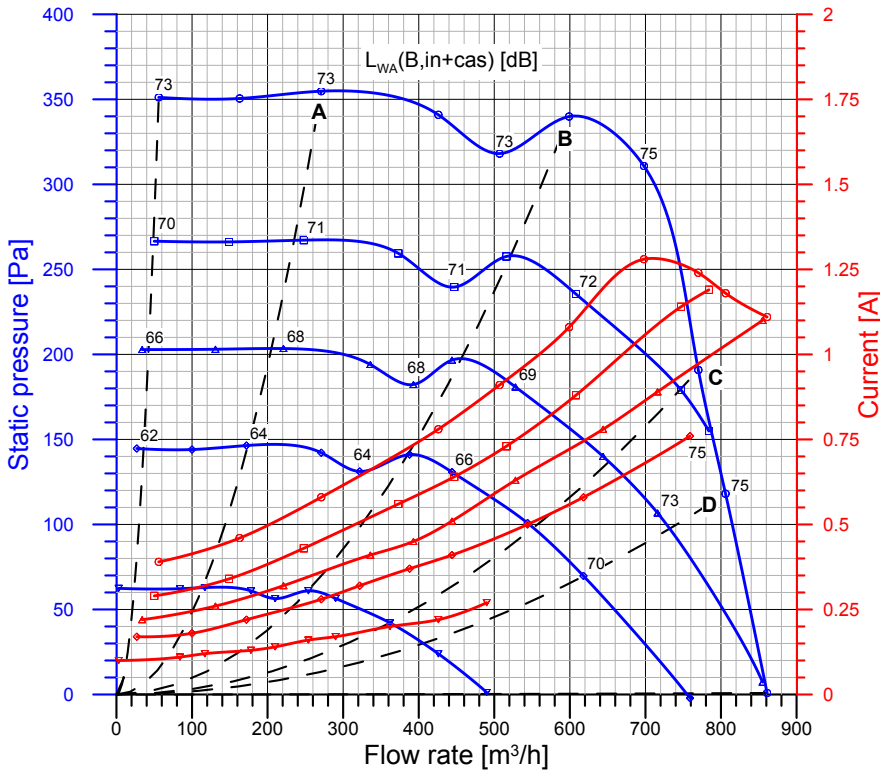
The solid scroll cases are made of a pair of pressed side-plates and a rolled backplate, all made of galvanized steel, joined by spot-welding.

The high-performance forward-curved impellers are also made of galvanised steel plate, and assembled by cold-forming, to preserve the corrosion-protecting effect of the zinc layer on the surface of the steel plate.

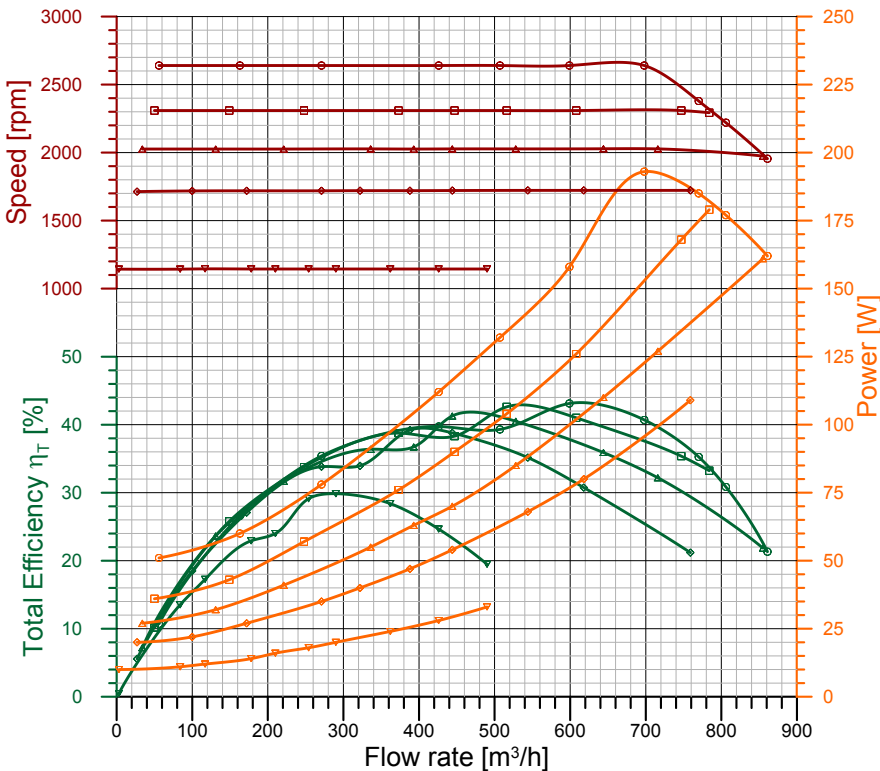
Power: 200 W (input, max)	Protection Cl.: IP 20
Poles: 8	Insulation Cl.: B
Voltage: 230 V	Thermal prot.: YES-Integral
Supply: 1~	Temp. Min: -20 °C
Frequency: 50-60 Hz	Temp. Max: +40 °C
Capacitor: n.a.	Current Max: 1.3 A

Performance data referring to:
 Standard air density $\rho = 1.20 \text{ kg / m}^3$
 Installation type "B": free inlet, ducted outlet
 Sound Power Levels shown are
 Inlet-side $L_{WA}(B, in+cas)$, A-weighted, in dBA

**Integral speed-control by
 Dedicated Driver**



	qv m³/h	pfs Pa	Pe W	n rpm	I A	η_T %
○ Maximum performance curve (10 V)						
A	271	355	78	2640	0.58	35.4
B	599	340	158	2640	1.08	43.1
C	770	191	185	2379	1.24	35.3
D	806	118	177	2220	1.18	30.9
□ Performance at 2300 rpm						
A	248	267	57	2309	0.43	33.8
B	516	258	104	2309	0.73	42.6
C	747	179	168	2309	1.14	35.4
D	784	155	179	2293	1.19	33.2
△ Performance at 2030 rpm						
A	221	203	41	2026	0.32	31.7
B	444	197	70	2027	0.51	41.3
C	644	140	110	2028	0.78	35.9
D	716	107	127	2027	0.89	32.2
◇ Performance at 1720 rpm						
A	172	146	27	1719	0.22	27.1
B	388	141	47	1720	0.37	39.2
C	544	101	68	1722	0.50	35.2
D	618	70	80	1722	0.58	30.8
▽ Performance at 1140 rpm						
A	117	63	12	1145	0.12	17.3
B	254	61	18	1144	0.16	29.1
C	362	42	24	1144	0.20	28.4
D	426	24	28	1144	0.22	24.7



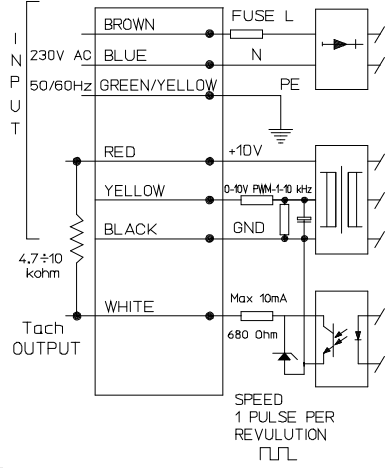
ErP Data acc. to Reg. 327/11/CE
 Performance referred to the best efficiency duty point

Compl. with Reg. 327/11/EC: Tier II (2015)
 Overall Efficiency ($\eta_T \times C_c$) [%]: 49.3
 Measurement category: B
 Efficiency category: Total
 Efficiency grade N [%]: 60.7
 A variable speed drive is integrated with this fan
 Manufactured since: 2018
 By: *Regal Beloiti Italy S.p.A.*
Via Modena 18
24040 Ciserano - Italy
 Power input [kW]: 0.158
 Volume flow rate qv [m³/s]: 0.166
 Total Pressure [Pa]: 409
 Speed [rpm]: 2640
 Specific ratio: 1.004
 Information on:
 - Disassembly, recycling and disposal at end of life
 - Optimal installation, use and maintenance of fans
 are freely downloadable from
www.nicotra-gebhardt.com
 Testing is carried out with the optional
 components of the test airway required,
 according to ISO 5801:2007, for the
 installation type detailed here on top.

Test nr.: S5572-000/01/02/03/05 Date: 04/06/2018
 Laboratory: Nicotra Gebhardt SpA
 Test chamber: 1000 m³/h

This test data obtained in a laboratory registered
 by AMCA for AMCA 210/07 air performance testing.
 Data is not certified by AMCA.

WIRING DIAGRAM SCHEMA DI COLLEGAMENTO

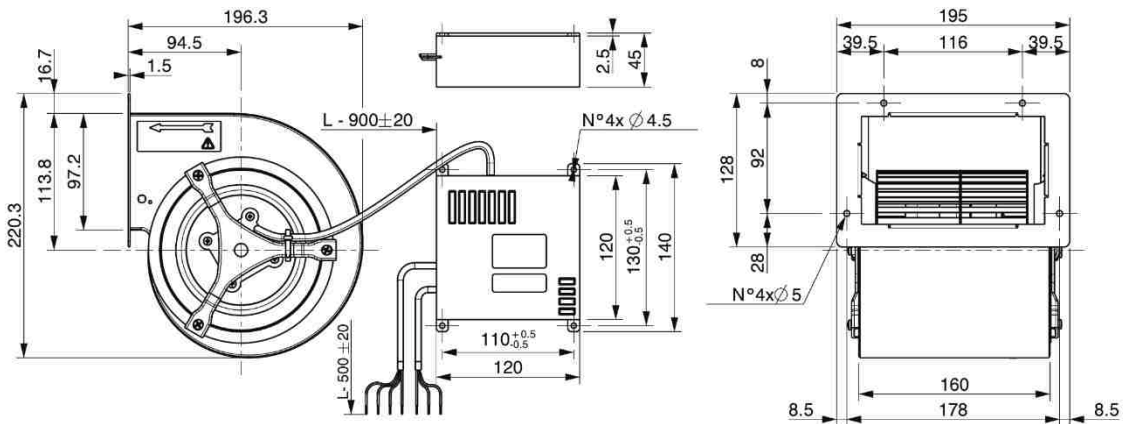


NOISE DATA DATI DI RUMORE

		Working point		Sound power level for inlet side (L _{w,in}) [dB]								
		m ³ /h		63	125	250	500	1k	2k	4k	8kHz	L _{wA}
230 V / 50 Hz	Fan Maximum	A	271	69	63	74	72	68	62	60	55	73
		B	599	65	61	73	72	68	65	63	61	74
	Working	C	770	67	61	72	72	70	68	65	63	75
		D	806	66	64	72	72	70	67	65	64	75
230 V / 50 Hz	2300 rpm	A	248	66	63	71	70	66	59	56	50	71
		B	516	67	59	70	68	66	62	59	56	71
		C	747	63	61	71	72	69	66	64	62	75
		D	784	64	62	72	72	71	67	65	63	75
230 V / 50 Hz	2030 rpm	A	221	63	58	68	66	64	55	52	45	68
		B	444	62	57	66	65	64	58	56	51	68
		C	644	64	58	69	68	67	62	61	58	71
		D	716	65	60	70	70	69	65	62	60	73
230 V / 50 Hz	1720 rpm	A	172	66	62	64	63	60	50	46	38	64
		B	388	62	57	62	62	62	54	52	45	65
		C	544	65	59	65	65	65	59	56	53	68
		D	618	64	59	66	66	66	60	58	55	70
230 V / 50 Hz	1140 rpm	A	117	N.A.	N.A.	N.A.	N.A.	N.A.	N.A.	N.A.	N.A.	N.A.
		B	254	N.A.	N.A.	N.A.	N.A.	N.A.	N.A.	N.A.	N.A.	N.A.
		C	362	N.A.	N.A.	N.A.	N.A.	N.A.	N.A.	N.A.	N.A.	N.A.
		D	426	N.A.	N.A.	N.A.	N.A.	N.A.	N.A.	N.A.	N.A.	N.A.

DIMENSIONAL DRAWINGS DISEGNI DIMENSIONALI

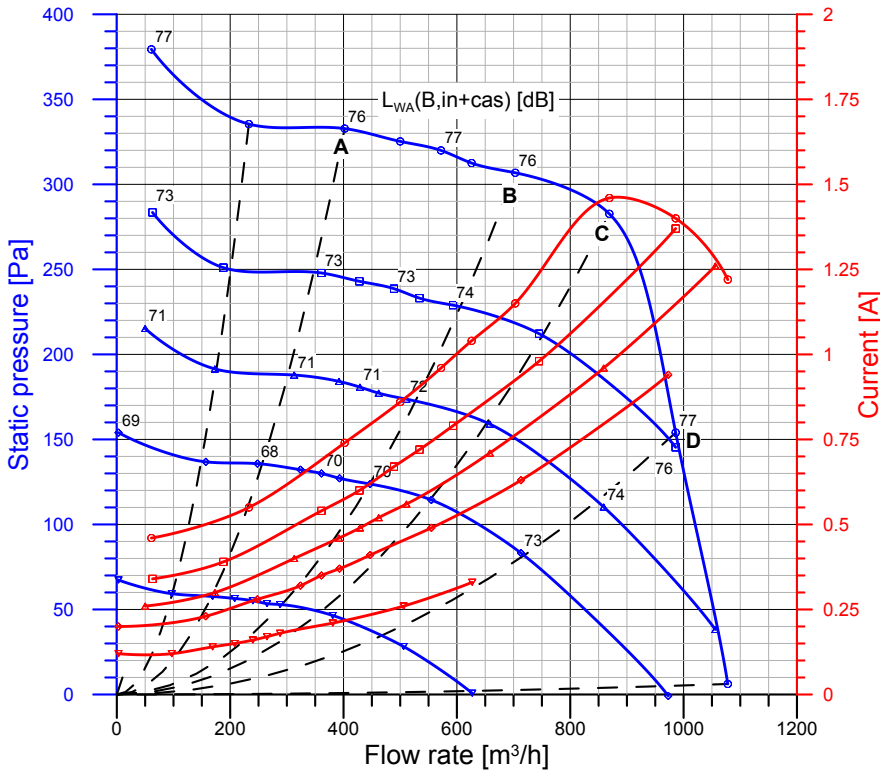
6M04L5 - DDMP 133/126 MVD03 + DRIVER



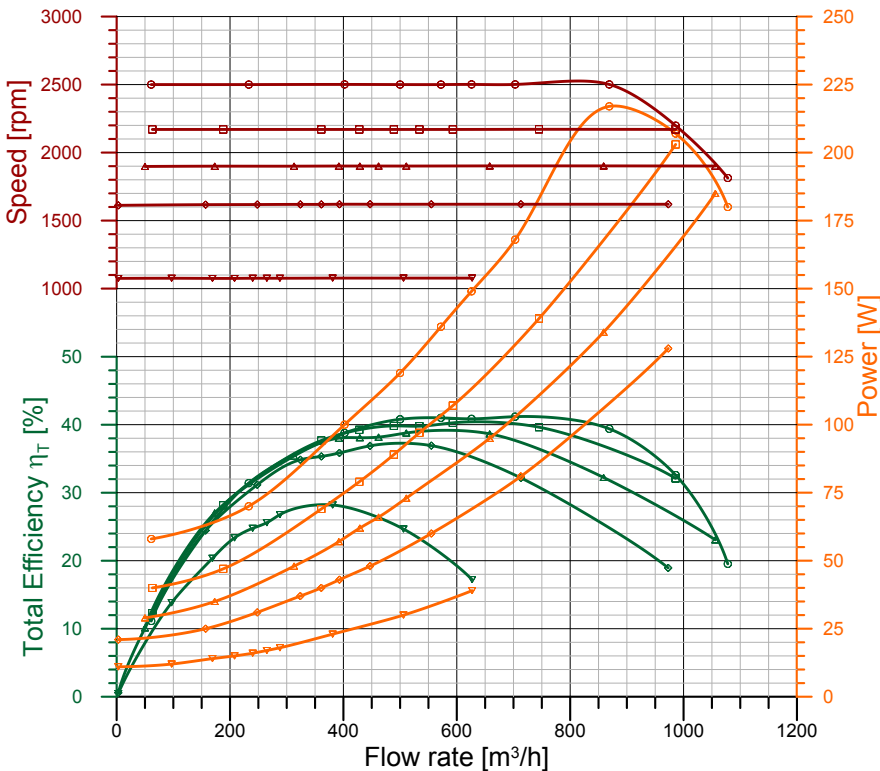
Power: 220 W (input, max)	Protection Cl.: IP 20
Poles: 8	Insulation Cl.: B
Voltage: 230 V	Thermal prot.: YES-Integral
Supply: 1~	Temp. Min: -20 °C
Frequency: 50-60 Hz	Temp. Max: +40 °C
Capacitor: n.a.	Current Max: 1.46 A

Performance data referring to:
 Standard air density $\rho = 1.20 \text{ kg / m}^3$
 Installation type "B": free inlet, ducted outlet
 Sound Power Levels shown are
 Inlet-side $L_{WA}(B, in+cas)$, A-weighted, in dBA

**Integral speed-control by
 Dedicated Driver**



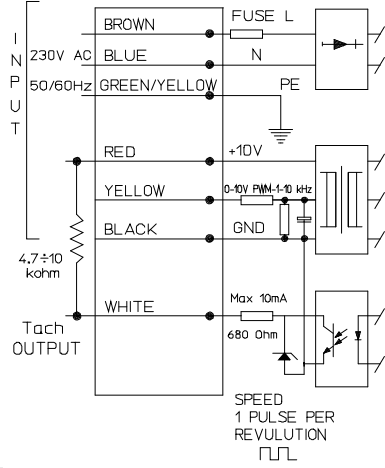
	qv m³/h	pfs Pa	Pe W	n rpm	I A	η_T %
○ Maximum performance curve (10 V)						
A	402	333	100	2501	0.74	38.8
B	703	307	168	2501	1.15	41.2
C	869	283	217	2501	1.46	39.4
D	986	154	207	2198	1.40	32.6
□ Performance at 2170 rpm						
A	361	248	69	2170	0.54	37.7
B	593	229	107	2170	0.79	40.3
C	745	212	139	2171	0.98	39.6
D	986	145	203	2170	1.37	32.1
△ Performance at 1900 rpm						
A	313	188	48	1900	0.40	35.4
B	511	174	73	1901	0.56	38.8
C	658	159	95	1902	0.71	38.7
D	859	110	134	1902	0.96	32.2
◇ Performance at 1620 rpm						
A	248	136	31	1618	0.28	31.2
B	447	124	48	1620	0.41	36.9
C	555	114	60	1620	0.49	36.9
D	713	83	81	1620	0.63	32.2
▽ Performance at 1075 rpm						
A	169	58	14	1075	0.14	20.4
B	288	53	18	1076	0.18	26.8
C	381	46	23	1077	0.21	28.2
D	506	28	30	1077	0.26	24.7



ErP Data acc. to Reg. 327/11/CE
 Performance referred to the best efficiency duty point

Compl. with Reg. 327/11/EC: Tier II (2015)
 Overall Efficiency ($\eta_T \times C_c$) [%]: 47.0
 Measurement category: B
 Efficiency category: Total
 Efficiency grade N [%]: 58.2
 A variable speed drive is integrated with this fan
 Manufactured since: 2018
 By: *Regal Beloit Italy S.p.A.*
Via Modena 18
24040 Ciserano - Italy
 Power input [kW]: 0.168
 Volume flow rate qv [m³/s]: 0.195
 Total Pressure [Pa]: 354
 Speed [rpm]: 2501
 Specific ratio: 1.003
 Information on:
 - Disassembly, recycling and disposal at end of life
 - Optimal installation, use and maintenance of fans
 are freely downloadable from
www.nicotra-gebhardt.com
 Testing is carried out with the optional
 components of the test airway required,
 according to ISO 5801:2007, for the
 installation type detailed here on top.

WIRING DIAGRAM SCHEMA DI COLLEGAMENTO

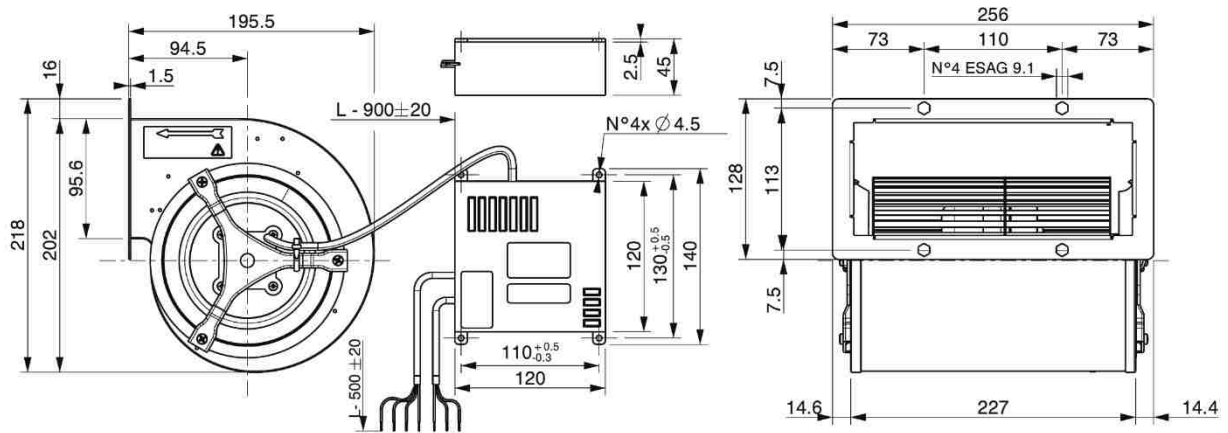


NOISE DATA DATI DI RUMORE

		Working point		Sound power level for inlet side (L _{w in}) [dB]							
		m ³ /h	63	125	250	500	1k	2k	4k	8kHz	L _{wA}
230 V / 50 Hz	A	402	66	61	73	70	67	61	59	53	76
	B	703	65	61	72	71	68	64	61	57	76
	C	869	63	61	72	72	69	65	64	60	77
	D	986	64	62	72	71	70	65	64	61	77
230 V / 50 Hz 2170 rpm	A	361	63	58	69	67	64	57	54	48	73
	B	593	64	59	69	68	66	59	57	52	74
	C	745	64	59	69	68	67	61	60	55	74
	D	986	67	62	71	70	70	64	64	61	76
230 V / 50 Hz 1900 rpm	A	313	65	59	66	64	62	53	50	43	71
	B	511	66	59	67	64	63	55	53	46	72
	C	658	62	59	66	65	65	58	56	51	71
	D	859	67	62	68	68	68	61	60	57	74
230 V / 50 Hz 1620 rpm	A	248	62	60	63	61	59	50	45	38	68
	B	447	68	59	63	61	61	51	48	40	70
	C	555	67	58	63	61	62	53	51	44	70
	D	713	70	59	64	64	65	56	55	50	73
230 V / 50 Hz 1075 rpm	A	169	N.A.	N.A.	N.A.	N.A.	N.A.	N.A.	N.A.	N.A.	N.A.
	B	288	N.A.	N.A.	N.A.	N.A.	N.A.	N.A.	N.A.	N.A.	N.A.
	C	381	N.A.	N.A.	N.A.	N.A.	N.A.	N.A.	N.A.	N.A.	N.A.
	D	506	N.A.	N.A.	N.A.	N.A.	N.A.	N.A.	N.A.	N.A.	N.A.

DIMENSIONAL DRAWINGS DISEGNI DIMENSIONALI

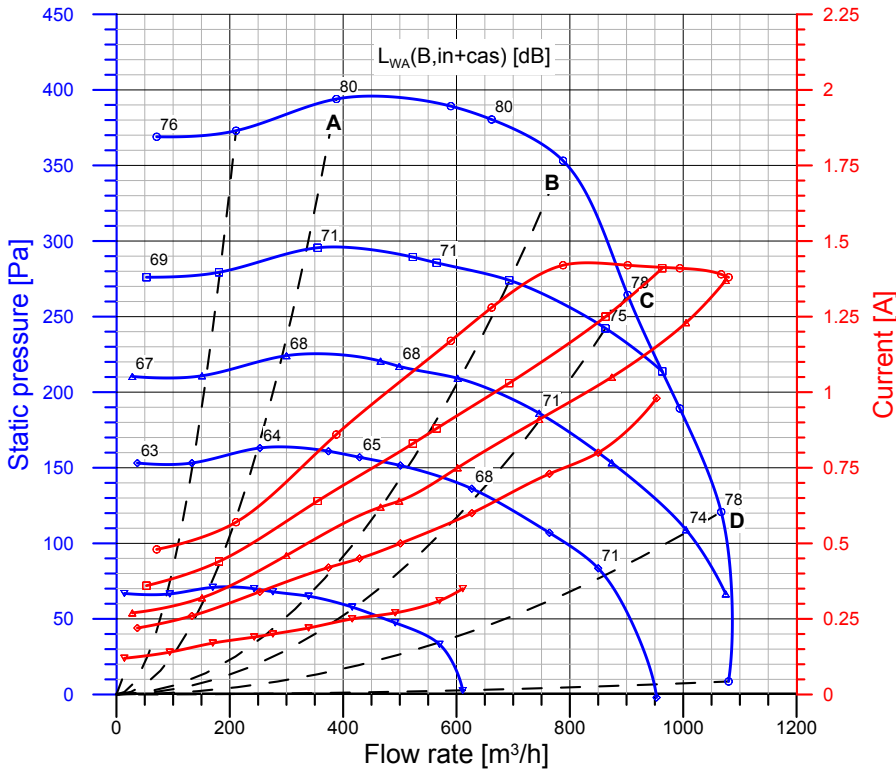
6M04L6 – DDMP 133/190 MVD04 + DRIVER



Power:	220 W (input, max)	Protection Cl.:	IP 20
Poles:	8	Insulation Cl.:	B
Voltage:	230 V	Thermal prot.:	YES-Integral
Supply:	1~	Temp. Min:	-20 °C
Frequency:	50-60 Hz	Temp. Max:	+40 °C
Capacitor:	n.a.	Current Max:	1.42 A

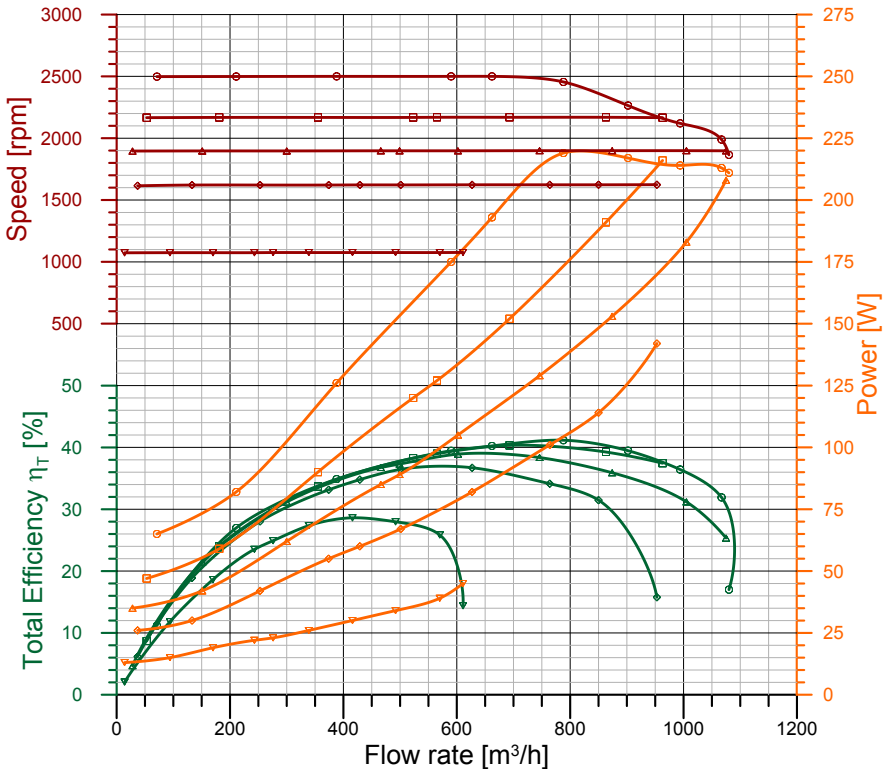
Performance data referring to:
 Standard air density $\rho = 1.20 \text{ kg / m}^3$
 Installation type "B": free inlet, ducted outlet
 Sound Power Levels shown are
 Inlet-side $L_{WA}(B, in+cas)$, A-weighted, in dBA

**Integral speed-control by
 Dedicated Driver**



	qv m3/h	pfs Pa	Pe W	n rpm	I A	η_T %
○ Maximum performance curve (10 V)						
A	388	394	126	2500	0.86	34.9
B	788	353	219	2455	1.42	41.2
C	902	264	217	2264	1.42	39.5
D	1067	121	213	1989	1.39	31.9
□ Performance at 2170 rpm						
A	355	296	90	2168	0.64	33.7
B	693	274	152	2169	1.03	40.3
C	863	242	191	2169	1.25	39.3
D	n.a.	n.a.	n.a.	n.a.	n.a.	n.a.
△ Performance at 1900 rpm						
A	300	224	62	1897	0.46	31.2
B	602	209	105	1898	0.75	38.9
C	746	186	129	1899	0.91	38.4
D	1005	109	183	1899	1.23	31.2
◇ Performance at 1620 rpm						
A	253	163	42	1621	0.34	28.0
B	501	152	67	1622	0.50	36.5
C	627	136	82	1623	0.60	36.7
D	850	83	114	1623	0.80	31.5
▽ Performance at 1075 rpm						
A	170	71	19	1074	0.17	18.6
B	339	65	26	1075	0.22	27.4
C	416	58	30	1075	0.25	28.6
D	570	33	39	1075	0.31	25.9

ErP Data acc. to Reg. 327/11/CE
 Performance referred to the best efficiency duty point

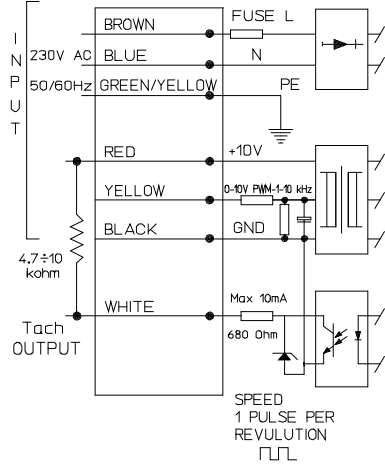


Compl. with Reg. 327/11/EC: Tier II (2015)
 Overall Efficiency ($\eta_x C_c$) [%]: 46.7
 Measurement category: B
 Efficiency category: Total
 Efficiency grade N [%]: 57.2
 A variable speed drive is integrated with this fan
 Manufactured since: 2018
 By: *Regal Beloit Italy S.p.A.*
Via Modena 18
24040 Ciserano - Italy
 Power input [kW]: 0.219
 Volume flow rate qv [m³/s]: 0.219
 Total Pressure [Pa]: 412
 Speed [rpm]: 2455
 Specific ratio: 1.004
 Information on:
 - Disassembly, recycling and disposal at end of life
 - Optimal installation, use and maintenance of fans
 are freely downloadable from
www.nicotra-gebhardt.com
 Testing is carried out with the optional
 components of the test airway required,
 according to ISO 5801:2007, for the
 installation type detailed here on top.

Test nr.: S5576-000/01/02/03/05 Date: 12/06/2018
 Laboratory: Nicotra Gebhardt SpA
 Test chamber: 1000 m3/h

This test data obtained in a laboratory registered
 by AMCA for AMCA 210/07 air performance testing.
 Data is not certified by AMCA.

WIRING DIAGRAM SCHEMA DI COLLEGAMENTO

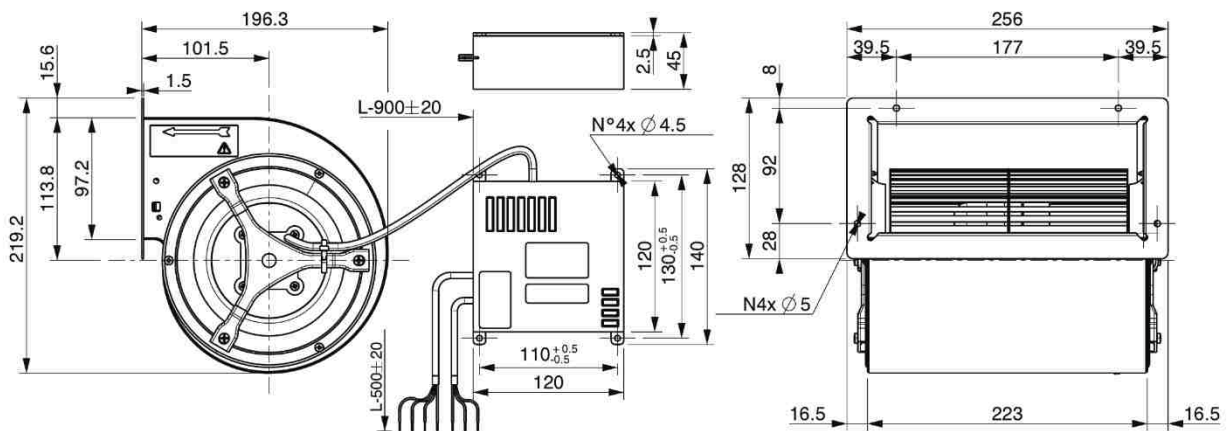


NOISE DATA DATI DI RUMORE

	Working point	m ³ /h	Sound power level for inlet side (L _{w,in}) [dB]								
			63	125	250	500	1k	2k	4k	8kHz	L _{wA}
230 V / 50 Hz	A	388	68	65	77	78	78	67	63	59	80
	B	788	68	65	75	77	78	69	65	63	81
	C	902	69	63	74	76	75	68	64	62	78
	D	1067	66	65	73	75	75	68	65	64	78
230 V / 50 Hz 2170 rpm	A	355	66	59	72	69	66	60	57	54	71
	B	693	64	61	70	70	69	65	60	58	73
	C	863	62	61	71	71	71	67	62	61	75
	D	n.a.	0	0	0	0	0	0	0	0	0
230 V / 50 Hz 1900 rpm	A	300	65	62	69	66	63	57	54	49	68
	B	602	67	62	69	67	66	60	56	53	70
	C	746	66	61	70	68	67	63	58	56	71
	D	1005	67	63	71	71	70	67	63	62	74
230 V / 50 Hz 1620 rpm	A	253	64	58	65	62	60	52	49	44	64
	B	501	65	57	65	63	63	54	51	46	66
	C	627	64	57	67	64	65	57	53	50	68
	D	850	67	61	68	67	68	61	58	57	71
230 V / 50 Hz 1075 rpm	A	170	N.A.	N.A.	N.A.	N.A.	N.A.	N.A.	N.A.	N.A.	N.A.
	B	339	N.A.	N.A.	N.A.	N.A.	N.A.	N.A.	N.A.	N.A.	N.A.
	C	416	N.A.	N.A.	N.A.	N.A.	N.A.	N.A.	N.A.	N.A.	N.A.
	D	570	N.A.	N.A.	N.A.	N.A.	N.A.	N.A.	N.A.	N.A.	N.A.

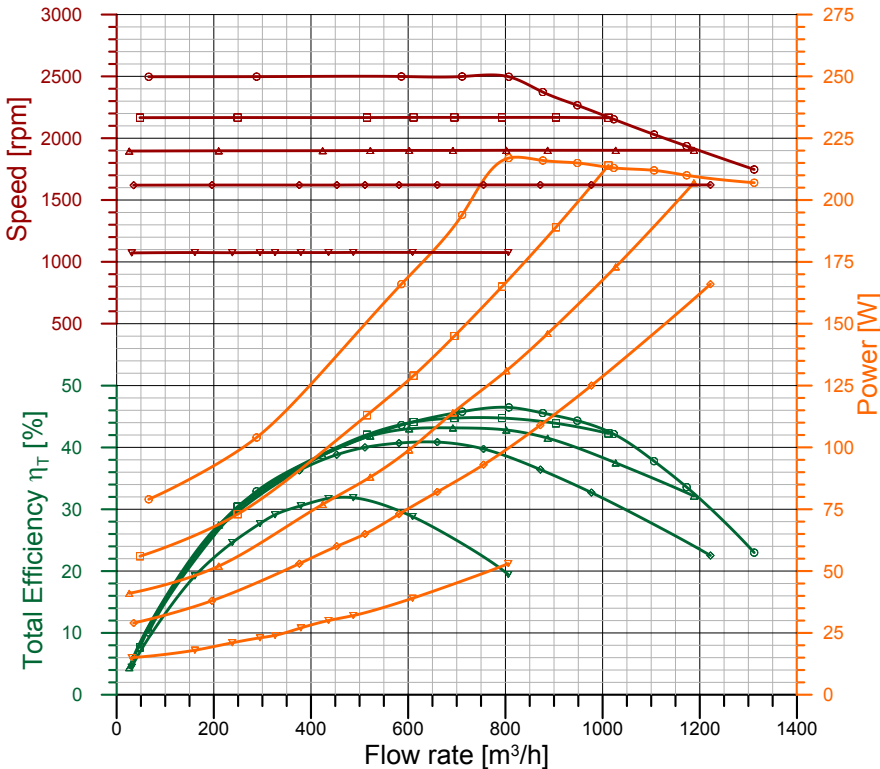
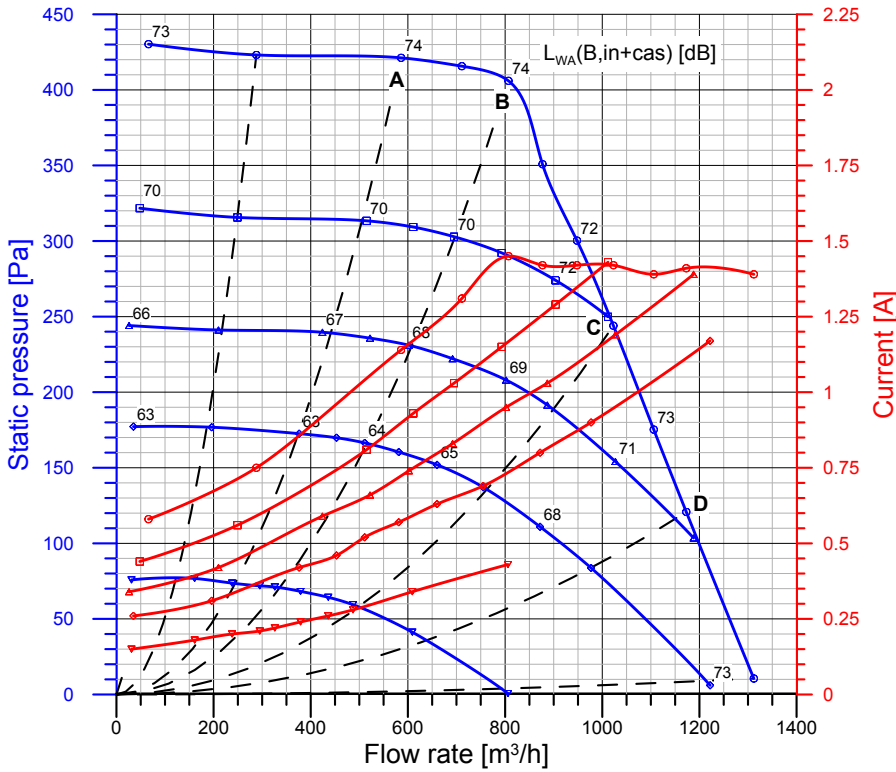
DIMENSIONAL DRAWINGS DISEGNI DIMENSIONALI

6M04L7 - DDMP 146/190 MVD05 + DRIVER



Power: 220 W (input, max)	Protection Cl.: IP 20
Poles: 8	Insulation Cl.: B
Voltage: 230 V	Thermal prot.: YES-Integral
Supply: 1~	Temp. Min: -20 °C
Frequency: 50-60 Hz	Temp. Max: +40 °C
Capacitor: n.a.	Current Max: 1.45 A

Performance data referring to:
 Standard air density $\rho = 1.20 \text{ kg/m}^3$
 Installation type "B": free inlet, ducted outlet
 Sound Power Levels shown are
 Inlet-side $L_{WA}(B, in+cas)$, A-weighted, in dBA



Integral speed-control by Dedicated Driver

	qv m³/h	pfs Pa	Pe W	n rpm	I A	η_T %
○ Maximum performance curve (10 V)						
A	586	421	166	2499	1.14	43.6
B	807	406	217	2497	1.45	46.5
C	1023	244	213	2153	1.42	42.2
D	1173	121	210	1936	1.41	33.6
□ Performance at 2170 rpm						
A	515	313	113	2167	0.81	42.1
B	695	303	145	2168	1.03	44.8
C	1012	250	214	2165	1.43	42.3
D	n.a.	n.a.	n.a.	n.a.	n.a.	n.a.
△ Performance at 1900 rpm						
A	424	240	77	1899	0.59	38.7
B	602	231	99	1901	0.74	43.0
C	887	191	146	1902	1.03	41.5
D	1188	104	207	1902	1.39	32.1
◇ Performance at 1620 rpm						
A	376	173	53	1621	0.42	36.3
B	511	166	65	1622	0.52	40.0
C	755	137	93	1622	0.69	39.8
D	977	84	125	1622	0.90	32.7
▽ Performance at 1075 rpm						
A	238	74	21	1074	0.20	24.6
B	326	71	24	1075	0.22	29.1
C	487	59	32	1076	0.28	31.9
D	806	1	53	1075	0.43	19.4

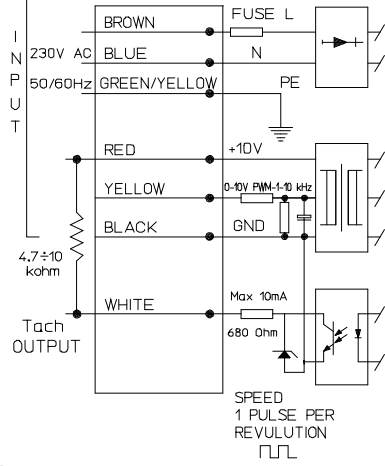
ErP Data acc. to Reg. 327/11/CE
 Performance referred to the best efficiency duty point

Compl. with Reg. 327/11/EC: Tier II (2015)
 Overall Efficiency ($\eta_x C_c$) [%]: 52.7
 Measurement category: B
 Efficiency category: Total
 Efficiency grade N [%]: 63.2
 A variable speed drive is integrated with this fan
 Manufactured since: 2018
 By: *Regal Beloit Italy S.p.A.*
Via Modena 18
24040 Ciserano - Italy
 Power input [kW]: 0.217
 Volume flow rate qv [m³/s]: 0.224
 Total Pressure [Pa]: 451
 Speed [rpm]: 2497
 Specific ratio: 1.004
 Information on:
 - Disassembly, recycling and disposal at end of life
 - Optimal installation, use and maintenance of fans
 are freely downloadable from
www.nicotra-gebhardt.com
 Testing is carried out with the optional components of the test airway required, according to ISO 5801:2007, for the installation type detailed here on top.

Test nr.: S5573-000/01/02/03/05 Date: 04/06/2018
 Laboratory: Nicotra Gebhardt SpA
 Test chamber: 1000 m³/h

This test data obtained in a laboratory registered by AMCA for AMCA 210/07 air performance testing. Data is not certified by AMCA.

WIRING DIAGRAM SCHEMA DI COLLEGAMENTO

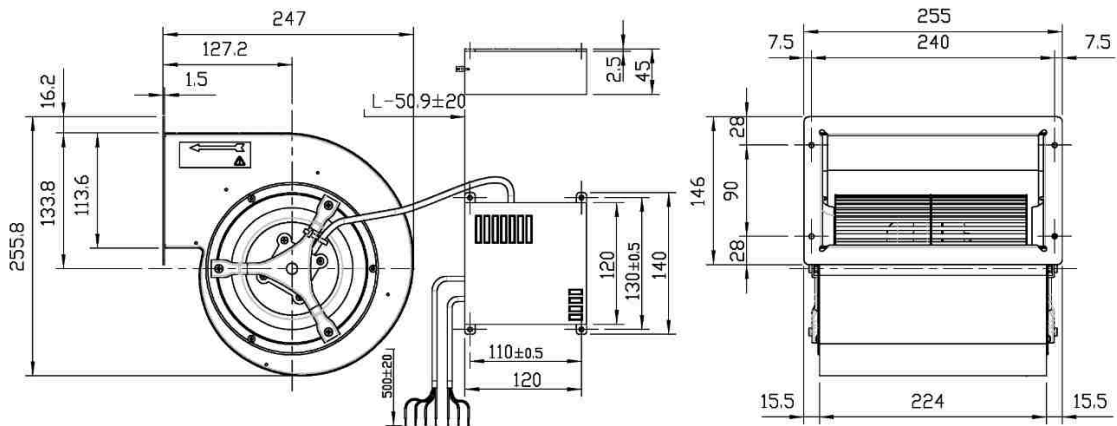


NOISE DATA DATI DI RUMORE

Working point		Sound power level for inlet side ($L_{w,in}$) [dB]										
		m^3/h	63	125	250	500	1k	2k	4k	8kHz	LwA	
230 V / 50 Hz	A	586	72	68	78	72	65	61	59	56	74	
	Fan Maximum	B	807	67	66	78	72	65	62	61	58	74
	Working	C	1023	64	63	73	70	66	62	61	59	72
	Limit	D	1173	70	67	74	71	67	64	63	60	73
230 V / 50 Hz 2170 rpm	A	515	70	64	74	68	62	57	55	51	70	
	B	695	65	64	74	69	62	58	56	53	70	
	C	1012	64	63	74	71	66	63	61	58	73	
	D	N.A.	N.A.	N.A.	N.A.	N.A.	N.A.	N.A.	N.A.	N.A.	N.A.	
230 V / 50 Hz 1900 rpm	A	424	69	63	71	65	60	55	51	46	67	
	B	602	65	61	72	66	60	56	53	48	68	
	C	887	66	61	71	67	63	60	57	54	70	
	D	1188	70	67	74	71	67	64	62	60	73	
230 V / 50 Hz 1620 rpm	A	376	66	58	67	61	57	50	46	40	63	
	B	511	66	60	67	61	58	52	48	42	64	
	C	755	66	60	68	64	61	55	53	49	66	
	D	977	66	63	70	66	64	59	57	54	69	
230 V / 50 Hz 1075 rpm	A	238	N.A.	N.A.	N.A.	N.A.	N.A.	N.A.	N.A.	N.A.	N.A.	
	B	326	N.A.	N.A.	N.A.	N.A.	N.A.	N.A.	N.A.	N.A.	N.A.	
	C	487	N.A.	N.A.	N.A.	N.A.	N.A.	N.A.	N.A.	N.A.	N.A.	
	D	806	N.A.	N.A.	N.A.	N.A.	N.A.	N.A.	N.A.	N.A.	N.A.	

DIMENSIONAL DRAWINGS DISEGNI DIMENSIONALI

6M04L8 – DDMP 146/190 SAE MVD05 + DRIVER





NICOTRA | Gebhardt®

Nicotra Gebhardt Germany
Nicotra Gebhardt GmbH
Gebhardtstraße 19-25
74638 Waldenburg (Germany)
Phone +49 7942 1010
Fax +49 7942 101 170
E-Mail info.ng.de@regalbeloit.com
Web www.nicotra-gebhardt.com

Nicotra Gebhardt Italy
Regal Beloit Italy S.p.A.
Via Modena, 18
24040 Zingonia (BG) (Italy)
Phone +39 035 873 111
Fax +39 035 884 319
E-mail info.ng.it@regalbeloit.com
Web www.nicotra-gebhardt.com

APPLICATION CONSIDERATIONS

The proper selection and application of products and components, including the related area of product safety, is the responsibility of the customer. Operating and performance requirements and potential associated issues will vary appreciably depending upon the use and application of such products and components. The scope of the technical and application information included in this publication is necessarily limited. Unusual operating environments and conditions, lubrication requirements, loading supports, and other factors can materially affect the application and operating results of the products and components and the customer should carefully review its requirements. Any technical advice or review furnished by Regal Beloit America, Inc. and/or its affiliates ("Regal") with respect to the use of products and components is given in good faith and without charge, and Regal assumes no obligation or liability for the advice given, or results obtained, all such advice and review being given and accepted at customer's risk.

For a copy of our Standard Terms and Conditions of Sale, please visit <https://www.regalbeloit.com/Terms-and-Conditions-of-Sale>. These terms and conditions of sale, disclaimers and limitations of liability apply to any person who may buy, acquire or use a Regal product referred to herein, including any person who buys from a licensed distributor of these branded products.

