



# HEATING & COOLING UNITS



2023



®

*imas  
ile  
kontrol  
sizde...*

# Contents

<i>About Us</i> .....	1
<i>Heating &amp; Cooling Units Technical Features</i> .....	2
<i>IDA Series Hot Water Capacity Table (RadialFan)</i> .....	3
<i>ITA Series Hot Water Capacity Table (Axial Fan)</i> .....	4
<i>IDA / ITA Series Hot Water Unit Heater Dimension Table</i> .....	5
<i>IDA Series Steam Capacity Table (Radial Fan)</i> .....	6
<i>ITA Series Steam Capacity Table (Axial Fan)</i> .....	7
<i>IDA / ITA Series Copper Pipe Steam Heater Dimension Table</i> .....	8
<i>IDA / ITA Series Steel Pipe Steam Heater Dimension Table</i> .....	9
<i>Heating &amp; Cooling Units, Heating and Cooling Capacities</i> .....	10
<i>Heating &amp; Cooling Units Dimension Table</i> .....	12
<i>Electric Air Heater Unit</i> .....	13



## About Us

As Imas, we offer innovative products and solutions in the areas of cooling, air conditioning and ventilation for commercial, industrial, institutional buildings and residences. Our expertise in air conditioning combines technology and engineering with our experience and global vision; we increase the quality of the product in the areas where our customers work & live and the product in the production process.

During our half century of production and marketing experience in the air conditioning sector, we have been the pioneer and implementer of many innovative ideas. In our modern factory in Izmir, air and water cooled split and package type air conditioners, radial-axial fan, open-closed type water cooling tower, fancoil units, special type air conditioning systems, precision controlled air conditioners, water chillers, unit heaters, power plants and ventilation cells are produced.

In the air conditioning sector, we establish international partnerships in order to fully meet the expectations and needs of our customers. With the world brands we distribute, Nicotra Gebhardt and Bluebox, we keep step with the changing necessity of the era and we contribute directly to the progress of our customers with innovative and technological products.

Imas, using the latest technologies around the world, takes our services to the highest level; We continue to grow with our principles targeting quality, stability and success.



## HEATING & COOLING UNITS

IDA (radial fan) and ITA (axial fan) unit heater are designed for mainly high volume places such as factories, garages, hangars, workshops, sport salons, capacities are between 2.000-56.000 kcal/h in hot water applications. Steam, high temperature hot water and electric options is applicable.

### TECHNICAL FEATURES

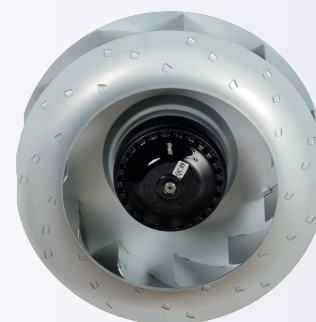
#### Body

Unit's body are shaped from galvanized steel with electrostatic paint or painted galvanized steel.



#### Fans

IDA version has backward curved, single inlet, direct driven radial fans. ITA version has axial fans with inlet grill for protection.



#### Heat Exchanger

Coppertubealuminiumfinheatexchangerareusedinallunit.Forpres sureover2bar,highthicknesscoppertubeisapplied.Stelltubeandfino relectricresistanceareavailable

#### Ex-Proof Fan Option



#### Wall Connection



ITA type axial units have the option of mounting feet.  
IDA type radial units have 4 holes to be connected on the Wallas standart.

# IDA SERIES HOT WATER CAPACITY TABLE (RADIAL FAN)



## Radial Fan

Model	Flow Rate m <sup>3</sup> /h	Inlet Air °C	Hot Water Capacity kcal/h						
			S K	S	S	S	S	S	S
			110/80°C	90/70°C	80/60°C	70/50°C	60/40°C	50/30°C	45/40°C
iDA 6	1050	18	8600	7000	5400	3500	1900	1100	2800
		15	9000	7500	5900	4100	2100	1400	3300
		10	9800	8200	6700	4900	2600	1700	4000
		5	10600	9000	7300	5600	3600	2100	4800
iDA 10	1400	18	12500	10700	8500	6200	3600	1700	4300
		15	13100	11300	9100	6800	4300	2000	4900
		10	14200	12400	10300	8000	5600	2500	6100
		5	15200	13400	11300	9000	6600	3600	7000
iDA 12	1600	18	16000	13700	10900	7900	4500	2200	5500
		15	16900	14600	11700	8700	5500	2500	6300
		10	18200	15900	13200	10300	7200	3200	7800
		5	19500	17200	14600	11600	8500	4600	9100
iDA 16	1800	18	20500	16700	13500	10200	6900	2400	6600
		15	21600	17700	14500	11200	7800	3600	7500
		10	23200	19300	16100	12900	9500	5800	9200
		5	24500	20900	17800	14500	11100	7500	10700
iDA 20	2400	18	25200	21100	16900	12800	8400	2800	8400
		15	26500	22300	18100	14000	9600	3680	9600
		10	28600	24400	20300	16100	11800	6800	11600
		5	30700	26500	22300	18200	13800	9100	13500
iDA 25	3400	18	31100	25400	20500	15100	10700	3700	10100
		15	32500	26800	21900	17100	12100	6500	11400
		10	35100	29300	24300	19500	14500	9200	14000
		5	37600	31700	26800	21900	17000	11800	16200
iDA 30	3750	18	40100	32400	26500	20500	14300	7400	13000
		15	42000	34400	28400	22300	16100	9400	14700
		10	45200	37500	31500	25300	19200	12700	17600
		5	48300	40600	34500	28400	22300	15900	20700
iDA 40	5200	18	51800	41900	34400	26800	19000	10800	16700
		15	54200	44300	36700	29200	21300	13200	18900
		10	58300	48300	40700	33000	25300	17200	22800
		5	62400	52300	44700	37000	29200	21100	26500
iDA 50	5400	18	61400	52000	42600	32900	22900	10900	20600
		15	64300	55000	45500	35800	25800	14700	23400
		10	69200	60100	50400	40700	30800	20200	28200
		5	74300	65300	55700	45800	35700	25300	33100

# ITA SERIES HOT WATER CAPACITY TABLE (AXIAL FAN)



## Axial Fan

Model	Flow Rate m <sup>3</sup> /h	Inlet Air °C	Hot Water Capacity kcal/h						
			S K	S	S	S	S	S	S
			110/80°C	90/70°C	80/60°C	70/50°C	60/40°C	50/30°C	45/40°C
İTA 4	600	18	6100	5000	4100	3300	2400	1600	2000
		15	6400	5250	4400	3500	2700	1800	2200
		10	6900	5700	4800	4000	3100	2300	2700
		5	7400	6150	5300	4400	3600	2700	3100
İTA 6	1000	18	7900	7100	5900	4700	3500	2200	2800
		15	8300	7500	6400	5000	3800	2600	3200
		10	9000	8100	6900	5700	4500	3200	3800
		5	9600	8800	7500	6300	5100	3900	4400
İTA 10	1300	18	13100	11100	9200	7300	5500	3500	4400
		15	13900	11600	9700	7900	6000	4200	5000
		10	15000	12800	10800	8900	7000	5100	5900
		5	16100	13900	11800	9900	8000	6000	6800
İTA 12	1350	18	15000	12200	9800	7500	4900	2100	4900
		15	15700	12900	10500	8200	5600	2500	5500
		10	17000	14000	11700	9400	6800	3900	6700
		5	18200	15300	12900	10600	8100	5300	7900
İTA 16	2100	18	20200	16900	13500	10000	6300	2500	6700
		15	21200	17800	14500	11000	7300	3000	7700
		10	23000	19500	16100	12800	9100	4300	9400
		5	24700	21200	17900	14400	10800	6700	11000
İTA 20	2300	18	25100	21200	17700	14100	10500	6900	8400
		15	26300	22400	18800	15200	11600	8000	9400
		10	28400	24300	20700	17100	13500	9900	11300
		5	30400	26300	22600	19000	15400	11700	13100
İTA 25	2800	18	31300	25300	20600	15900	11000	5200	10000
		15	32700	26700	22000	17300	12400	7100	11400
		10	35200	29200	24500	19700	14900	9700	13700
		5	37800	31700	26900	22200	17300	12200	16100
İTA 30	3100	18	36600	30100	24700	19200	13600	7400	11900
		15	38600	31700	26300	20800	15200	9300	13500
		10	51200	34600	29200	23700	18100	12200	16300
		5	44200	37500	32000	26500	20900	15100	18900
İTA 40	4100	18	50500	40900	33300	25600	17500	6300	16200
		15	52900	43200	35600	27900	19900	10300	18500
		10	57000	47200	39500	31800	23800	15000	22200
		5	61200	51300	43500	35800	27800	19300	26000

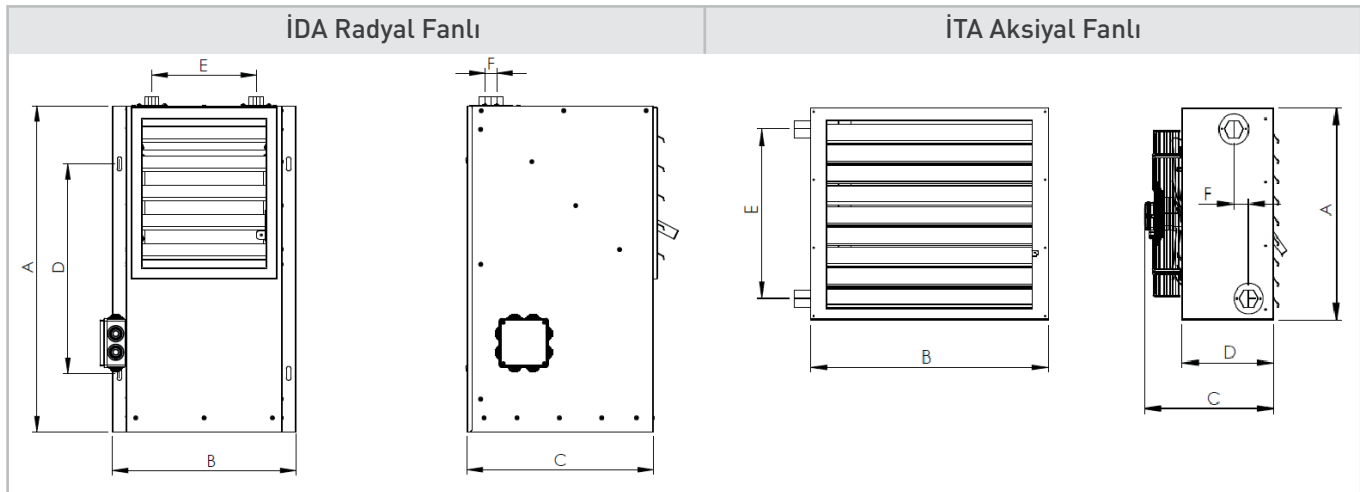


## IDA / İTA SERIES HOT WATER UNIT HEATER DIMENSION TABLE

Model	Power Consumption W/A	Power Supply V/Hz	Water Pressure Drop KPa	Dimension (mm)			Connection Diameter	Weight Kg	Sound dB(A)
				En (C)	Boy (B)	Yükseklik (A)			
İDA 6 S	150/0,65	230/50	1,1	400	395	700	1/2"	19	70
İDA 10 S	200/0,9	230/50	2,9	430	460	800	1/2"	23	70
İDA 12 S	250/1,1	230/50	3,2	430	460	800	1/2"	25	79
İDA 16 S	250/1,1	230/50	7,4	550	460	950	3/4"	29	79
İDA 20 S	210/1	230/50	9,9	550	520	1100	3/4"	36	60
İDA 25 S	400/1,5	230/50	7,2	650	585	1100	1"	44	66
İDA 30 S	400/1,5	230/50	11	665	585	1195	1"	47	66
İDA 40 S	800/3,7	230/50	22	725	650	1195	1 1/4"	56	77
İDA 50 S	800/3,7	230/50	10,3	725	650	1195	1 1/4"	60	77

Model	Power Consumption W/A	Power Supply V/Hz	Water Pressure Drop KPa	Dimension (mm)			Connection Diameter	Weight Kg	Sound dB(A)
				En (C)	Boy (B)	Yükseklik (A)			
İTA 4 S	50/0,22	230/50	1,2	380	420	420	1/2"	12	50
İTA 6 S	90/0,38	230/50	1,9	380	460	420	1/2"	13	55
İTA10 S	90/0,38	230/50	2,8	380	460	420	1/2"	14	55
İTA 12 S	90/0,38	230/50	5,2	380	470	500	3/4"	17	55
İTA 16 S	138/0,68	230/50	7,3	385	510	500	3/4"	19	62
İTA 20 S	138/0,68	230/50	12,4	385	540	620	3/4"	22	62
İTA 25 S	180/0,81	230/50	9,4	395	610	620	1"	26	67
İTA 30 S	180/0,81	230/50	14,1	395	655	690	1"	29	67
İTA 40 S	250/1,15	230/50	7,1	395	725	620	1 1/4"	33	71

Pressure losses are given for 90/70°C water regime and 18°C room temperature.





# IDA SERIES STEAM CAPACITY TABLE (RADIAL FAN)



## Radial Fan

Model	Flow Rate m <sup>3</sup> /h	Inlet Air °C	Steam Capacity kcal/h								
			B1	B2	B2	BÇ	BÇ	BÇ	BÇ	BÇ	
			3 Bar	5 Bar	6 Bar	3 Bar	5 Bar	6 Bar	8 Bar	10 Bar	
İDA 6	1050	18	8500	11800	12300	11700	13200	13900	14800	15500	
		15	8700	12000	12700	12000	13500	14200	15100	15900	
		10	9000	12400	13100	12400	14000	14700	15600	16400	
		5	9400	13000	13500	13100	14800	15500	16500	17300	
İDA 10	1400	18	11300	13200	13900	15100	17100	17900	19100	20000	
		15	11700	13500	14200	15500	17500	18400	19600	20500	
		10	12200	14100	14700	16000	18100	19000	20200	21200	
		5	12700	14600	15200	16900	19100	20100	21300	22400	
İDA 12	1600	18	14600	17000	17800	16300	18400	19400	20600	21600	
		15	14900	17300	18200	16700	18900	19800	21100	22200	
		10	15700	18000	18900	17300	19500	20500	21800	22900	
		5	16300	18800	19500	18200	20600	21600	23000	24200	
İDA 16	1800	18	17100	18700	19700	21600	24400	25600	27300	28600	
		15	17500	19200	20200	22100	25000	26300	27900	29300	
		10	18300	19900	20900	22900	25900	27200	28900	30300	
		5	19100	20700	21700	24200	27300	28700	30500	32000	
İDA 20	2400	18	20500	22200	23300	25200	28500	29900	31800	33400	
		15	21000	22700	23800	25800	29200	30600	32600	34200	
		10	21900	23600	24800	26700	30200	31700	33700	35400	
		5	22900	24500	25600	28200	31800	33400	35600	37300	
İDA 25	3400	18	26400	31400	33000	29000	32800	34400	36600	38400	
		15	27000	32100	33700	29700	33600	35300	37500	39400	
		10	28100	33300	35000	30700	34700	36500	38800	40700	
		5	29300	34500	36100	32400	36600	38500	40900	43000	
İDA 30	3750	18	34300	43800	46000	41000	46300	48600	51800	54300	
		15	35200	44900	47000	42000	47500	49900	53000	55700	
		10	36700	46500	48800	43500	49100	51600	54900	57600	
		5	38200	48200	50500	45900	51900	54400	57900	60800	
İDA 40	5200	18	42900	54600	57300	51000	57600	60500	64400	67600	
		15	44000	55800	58600	52300	59100	62000	66000	69300	
		10	45900	57900	60700	54100	61100	64100	68200	71600	
		5	47700	60100	62800	57000	64400	67700	72000	75600	
İDA 50	B1-B2	BÇ	18	49100	53000	55800	56500	63800	67000	71300	74900
			15	50400	54300	57100	57900	65400	68700	73100	76800
	5400	7000	10	52600	56400	59200	59900	67700	71000	75600	79400
			5	54800	58600	61300	63200	71400	75000	79800	83700

# ITA SERIES STEAM CAPACITY TABLE (AXIAL FAN)



## Axial Fan

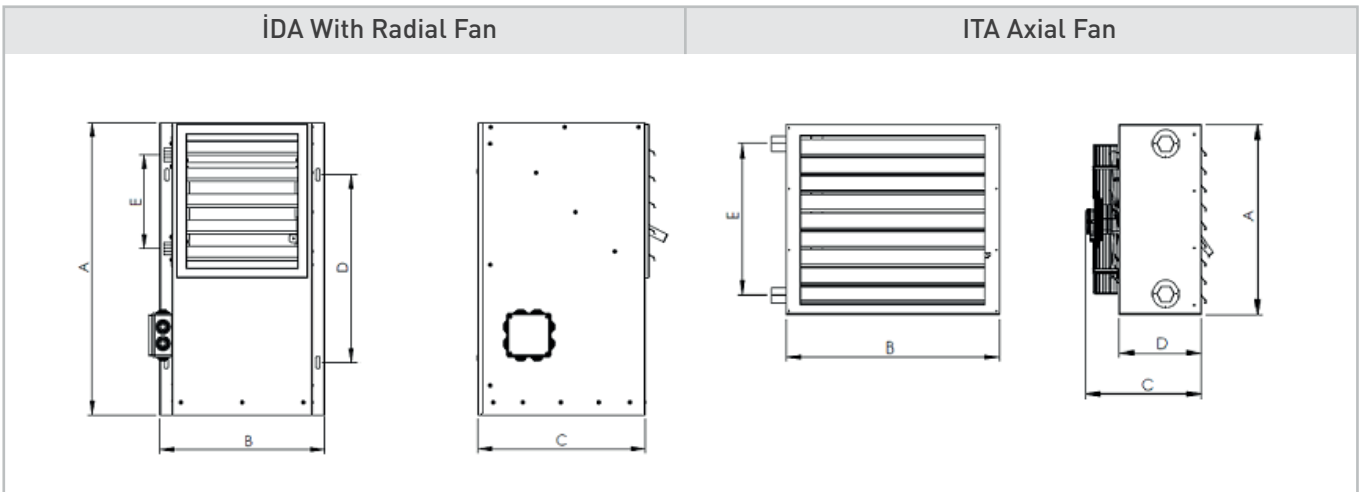
Model	Flow Rate m <sup>3</sup> /h	Inlet Air °C	Steam Capacity kcal/h							
			B1	B2	B2	BÇ	BÇ	BÇ	BÇ	BÇ
			3 Bar	5 Bar	6 Bar	3 Bar	5 Bar	6 Bar	8 Bar	10 Bar
İTA 6	1000	18	8100	9700	10200	11700	13200	13900	14800	15500
		15	8300	9900	10400	12000	13600	14200	15100	15900
		10	8700	10300	10800	12400	14000	14700	15700	16400
		5	9100	10700	11200	13100	14800	15500	16500	17300
İTA 10	1300	18	11400	14300	15100	14500	16400	17200	18300	19200
		15	11600	14600	15400	14900	16800	17600	18800	19700
		10	12000	15200	16000	15400	17400	18200	19400	20400
		5	12600	15800	16600	16200	18300	19200	20500	21500
İTA 12	1350	18	12000	15000	15700	16000	18100	19000	20200	21200
		15	12300	15300	16100	16400	18500	19500	20700	21700
		10	12800	15900	16700	17000	19200	20100	21400	22500
		5	13400	16500	17300	17900	20200	21200	22600	23700
İTA 16	2100	18	16800	21300	22400	18200	20600	21600	23000	24100
		15	17300	21800	22900	18700	21000	22100	23600	24700
		10	18000	22700	23800	19300	21800	22900	24400	25600
		5	18700	23500	24600	20300	23000	24100	25700	27000
İTA 20	2300	18	20200	24000	25300	23200	26200	27500	29300	30800
		15	20700	24600	25800	23800	26900	28200	30000	31500
		10	21600	25600	26800	24600	27800	29200	31000	32600
		5	22500	26500	27800	25900	29300	30800	32700	34400
İTA 25	2800	18	25100	29900	31500	27700	31300	32900	35000	36700
		15	25700	30700	32300	28400	32100	33700	35800	37600
		10	26800	31900	33500	29400	33200	34800	37100	38900
		5	27900	33100	34700	31000	35000	36700	39100	41100
İTA 30	3100	18	29000	32300	34000	37000	41800	43900	46700	49000
		15	29800	33100	34800	37900	42900	45000	47900	50300
		10	31100	34400	36100	39200	44300	46500	49500	52000
		5	32400	35700	37400	41400	46700	49100	52200	54800
İTA 40	4100	18	40900	41800	44000	43000	48600	51000	54300	57000
		15	41800	42800	45000	44100	49800	52300	55600	58400
		10	43800	44500	46700	45600	51500	54100	57500	60400
		5	45700	46200	48400	48100	54300	57000	60700	63700



# IDA / ITA SERIES COPPER PIPE STEAM HEATER DIMENSION TABLE

Model	Power Consumption W/A	Power Supply V/Hz	Dimension (mm)			Connection (B1) 3 Bar	Connection (B2) 4-6 Bar	Weight Kg	Sound dB(A)
			(C)	(B)	(A)				
İDA 6 (B1/B2)	150/0,65	230/50	400	395/430	700	1/2"	3/4"-3/4"	19/30	70
İDA 10 (B1/B2)	200/0,9	230/50	430	460	800	1/2"	3/4"-3/4"	23/32	70
İDA 12 (B1/B2)	250/1,1	230/50	430	460	800	1/2"	3/4"-3/4"	25/34	79
İDA 16 (B1/B2)	250/1,1	230/50	530	460	950	3/4"	1"-3/4"	29/40	79
İDA 20 (B1/B2)	210/1	230/50	550	520	1100	3/4"	1"-3/4"	36/47	60
İDA 25 (B1/B2)	400/1,5	230/50	650	585	1100	1"	1 1/4"-1"	44/66	66
İDA 30 (B1/B2)	400/1,5	230/50	665	585	1195/1250	1"	1 1/4"-1"	47/69	66
İDA 40 (B1/B2)	800/3,7	230/50	725	650/660	1195/1350	1 1/4"	1 1/2"-1 1/4"	56/83	75
İDA 50 (B1/B2)	800/3,7	230/50	725/760	650/660	1195/1350	2 1/4"	1 1/2"-1 1/4"	60/88	77

Model	Power Consumption W/A	Power Supply V/Hz	Boyutlar (mm)			Connection (B1) 3 Bar	Connection (B2) 4-6 Bar	Weight Kg	Sound dB(A)
			(C)	(B)	(A)				
İTA 6 (B1-B2)	90/0,38	230/50	380/360	460/470	420/440	1/2"	3/4"-3/4"	13/19	55
İTA 10 (B1-B2)	90/0,38	230/50	380/360	460/470	420/440	1/2"	1"-3/4"	14/21	55
İTA 12 (B1-B2)	90/0,38	230/50	380/360	470/500	500/570	3/4"	1"-3/4"	17/24	55
İTA 16 (B1-B2)	138/0,68	230/50	385	510/550	500/630	3/4"	1 1/4"-1"	19/29	62
İTA 20 (B1-B2)	138/0,68	230/50	385	540/580	620/690	3/4"	1 1/4"-1"	22/32	62
İTA 25 (B1-B2)	180/0,81	230/50	395/425	610	620/690	1"	1 1/4"-1"	26/36	67
İTA 30 (B1-B2)	180/0,81	230/50	395/425	655/680	690/760	1"	1 1/2"-1 1/4"	29/39	67
İTA 40 (B1-B2)	250/1,15	230/50	395/425	725/760	620/700	1 1/4"	1 1/2"-1 1/4"	33/45	71

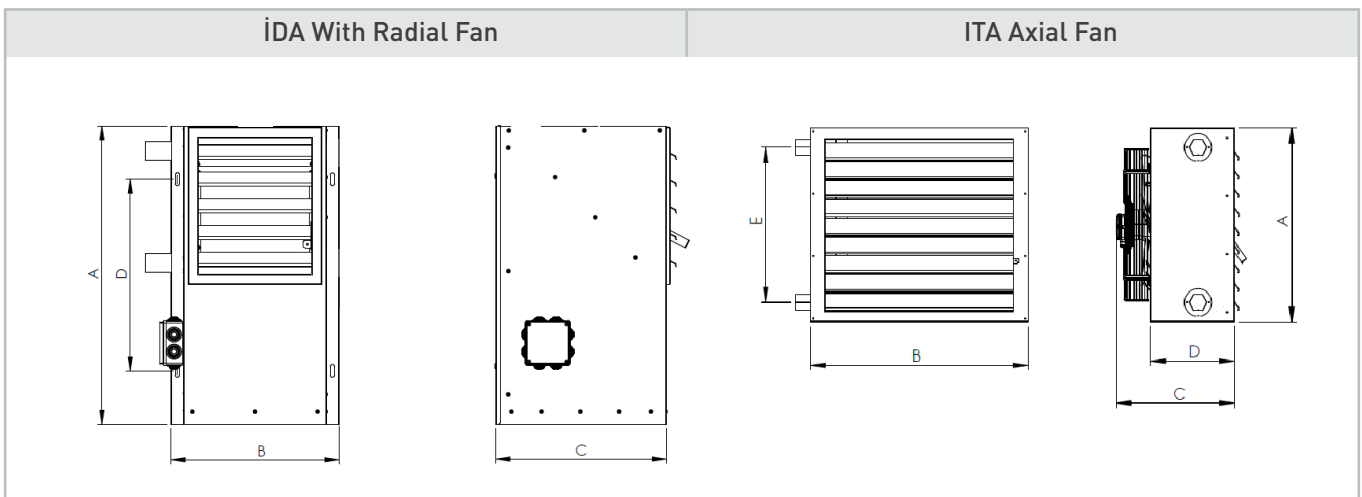


# IDA / ITA SERIES STEEL PIPE STEAM HEATER DIMENSION TABLE



Model	Power Consumption W/A	Dimension (mm)			Connection Diameter	Weight Kg	Sound dB(A)
		(C)	(B)	(A)			
İDA 6 BÇ	150/0,65	480	480	800	1"(DN25)-3/4"	43	70
İDA 10 BÇ	200/0,9	480	480	800	1"(DN25)-3/4"	45	70
İDA 12 BÇ	250/1,1	480	480	800	1"(DN25)-3/4"	47	79
İDA 16 BÇ	250/1,1	600	560	950	1 1/4"(DN32)-3/4"	62	79
İDA 20 BÇ	210/1	600	600	1000	1 1/4"(DN32)-3/4"	68	60
İDA 25 BÇ	400/1,5	650	600	1100	1 1/4"(DN32)-3/4"	77	66
İDA 30 BÇ	400/1,5	725	640	1250	1 1/2"(DN40)-1"	121	66
İDA 40 BÇ	800/3,7	750	660	1350	1 1/2"(DN40)-1"	133	75
İDA 50 BÇ	1160/5,3	800	720	1350	1 1/2"(DN40)-1"	155	77

Model	Power Consumption W/A	Dimension (mm)			Connection Diameter	Weight Kg	Sound dB(A)
		(C)	(B)	(A)			
İTA 6 BÇ	90/0,38	450	540	500	1"(DN25)-3/4"	33	55
İTA 10 BÇ	90/0,38	450	540	500	1"(DN25)-3/4"	33	55
İTA 12 BÇ	90/0,38	450	580	500	1"(DN25)-3/4"	35	55
İTA 16 BÇ	138/0,68	460	580	500	1 1/4"(DN32)-3/4"	40	62
İTA 20 BÇ	138/0,68	460	580	500	1 1/4"(DN32)-3/4"	46	62
İTA 25 BÇ	180/0,81	460	580	500	1 1/4"(DN32)-3/4"	51	67
İTA 30 BÇ	180/0,81	460	750	750	1 1/2"(DN40)-1 1/4"	78	67
İTA 40 BÇ	250/1,15	460	850	850	1 1/2"(DN40)-1 1/4"	90	71





## HEATING & COOLING UNITS

### Radial Fan

Model	Flow Rate m <sup>3</sup> /h	Cooling Capacity kcal/h			Heating Capacity kcal/h			
		Inlet Air	7/12°C	10/15°C	Inlet Air	80/60°C	60/50°C	45/40°C
İDA 5 CH	1800	30°C-%55 RH	7100	5400	18°C	15900	11300	7500
		28°C-%55 RH	5900	4500	15°C	16800	12300	8500
		26°C-%55 RH	5000	3700	10°C	18600	13900	10100
İDA 10 CH	2400	30°C-%55 RH	13800	10100	18°C	29600	21300	14200
		28°C-%55 RH	10900	7500	15°C	31600	23400	16200
		26°C-%55 RH	8200	5200	10°C	35300	26700	19400
İDA 15 CH	3700	30°C-%55 RH	22300	16900	18°C	42800	30500	20100
		28°C-%55 RH	18300	13300	15°C	45700	33300	22900
		26°C-%55 RH	14600	10200	10°C	50700	38100	27500
İDA 20 CH	5000	30°C-%55 RH	25300	18900	18°C	51600	37200	24700
		28°C-%55 RH	20500	14900	15°C	55200	40500	28000
		26°C-%55 RH	16400	11600	10°C	61200	46400	33700
İDA 25 CH	5800	30°C-%55 RH	33200	25000	18°C	65900	47200	31300
		28°C-%55 RH	27100	19700	15°C	70400	51600	35500
		26°C-%55 RH	21800	15500	10°C	78000	58900	42700
İDA 30 CH	7000	30°C-%55 RH	39500	29800	18°C	77800	55700	36900
		28°C-%55 RH	32400	23700	15°C	83100	60700	41800
		26°C-%55 RH	26000	18500	10°C	91900	69300	50200

# HEATING & COOLING UNITS



## Axial Fan

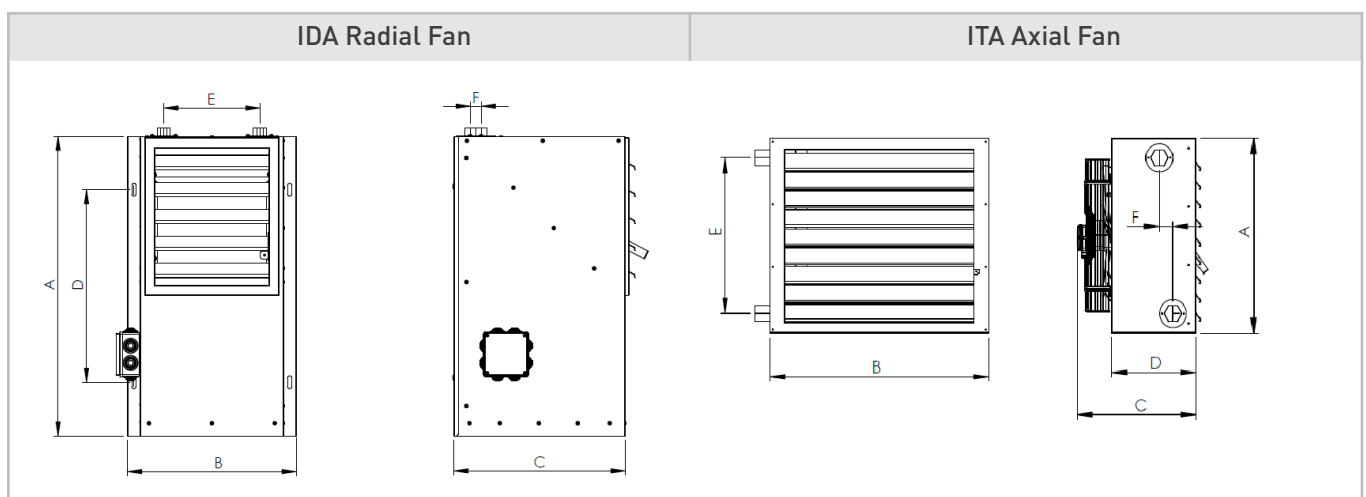
Model	Flow Rate m <sup>3</sup> /h	Cooling Capacity kcal/h			Heating Capacity kcal/h			
		Inlet Air	7/12°C	10/15°C	Inlet Air	80/60°C	60/50°C	45/40°C
İTA 5 CH	2000	30°C-%55 RH	7300	5600	18°C	16300	11600	7700
		28°C-%55 RH	6100	4600	15°C	17300	12600	8700
		26°C-%55 RH	5100	3800	10°C	19100	14300	10400
İTA 10 CH	2500	30°C-%55 RH	14000	10200	18°C	30000	21600	14400
		28°C-%55 RH	11000	7600	15°C	32000	23700	16400
		26°C-%55 RH	8300	5300	10°C	35800	27100	19700
İTA 15 CH	3600	30°C-%55 RH	22100	16800	18°C	42500	30300	20000
		28°C-%55 RH	18200	13200	15°C	45400	33100	22700
		26°C-%55 RH	14500	10100	10°C	50300	37800	27300
İTA 20 CH	4800	30°C-%55 RH	25000	18700	18°C	51000	36750	24400
		28°C-%55 RH	20300	14700	15°C	54500	40000	27700
		26°C-%55 RH	16200	11500	10°C	60500	45850	33300
İTA 25 CH	6100	30°C-%55 RH	33650	25400	18°C	66850	47900	31750
		28°C-%55 RH	27500	20000	15°C	71400	52300	36000
		26°C-%55 RH	22100	15700	10°C	79150	59700	43300
İTA 30 CH	7200	30°C-%55 RH	39800	30100	18°C	78450	56150	37200
		28°C-%55 RH	32700	23850	15°C	83800	61250	42150
		26°C-%55 RH	26250	18700	10°C	92700	69900	50650



## HEATING & COOLING UNITS DIMENSION TABLE

Model	Power Consumption W/A	Power Supply V/Hz	Water Pressure Drop KPa	Dimension (mm)			Connection Diameter	Drain Diameter	Weight Kg	Sound dB(A)
				(C)	(B)	(A)				
IDA 5 CH	250/1,1	230/50	12	540	580	900	3/4"	1/2"	58	79
IDA 10 CH	210/1	230/50	10	650	720	1050	1"	3/4"	80	60
IDA 15 CH	400/1,5	230/50	16,9	750	830	1200	1 1/4"	3/4"	95	66
IDA 20 CH	550/2,5	230/50	17,4	800	950	1300	1 1/4"	1"	120	75
IDA 25 CH	800/3,7	230/50	19	850	1050	1350	1 1/2"	1"	163	75
IDA 30 CH	1550/6,8	230/50	19,6	900	1100	1500	1 1/2"	1"	210	77

Model	Power Consumption W/A	Power Supply V/Hz	Water Pressure Drop KPa	Dimension (mm)			Connection Diameter	Drain Diameter	Weight Kg	Sound dB(A)
				(C)	(B)	(A)				
ITA 5 CH	138/0,68	230/50	12,7	510	580	690	3/4"	1/2"	35	62
ITA 10 CH	250/1,15	230/50	10	575	750	750	1"	3/4"	55	71
ITA 15 CH	420/1,85	230/50	16,5	600	850	850	1 1/4"	3/4"	65	72
ITA 20 CH	550/0,95	400/50	16,5	600	950	950	1 1/4"	1"	80	65
ITA 25 CH	690/1,3	400/50	20,2	610	1050	1050	1 1/4"	1"	110	77
ITA 30 CH	1150/2,5	400/50	20,3	690	1100	1100	1 1/2"	1"	140	77





# ELECTRIC AIR HEATER UNIT

## Radial Fan

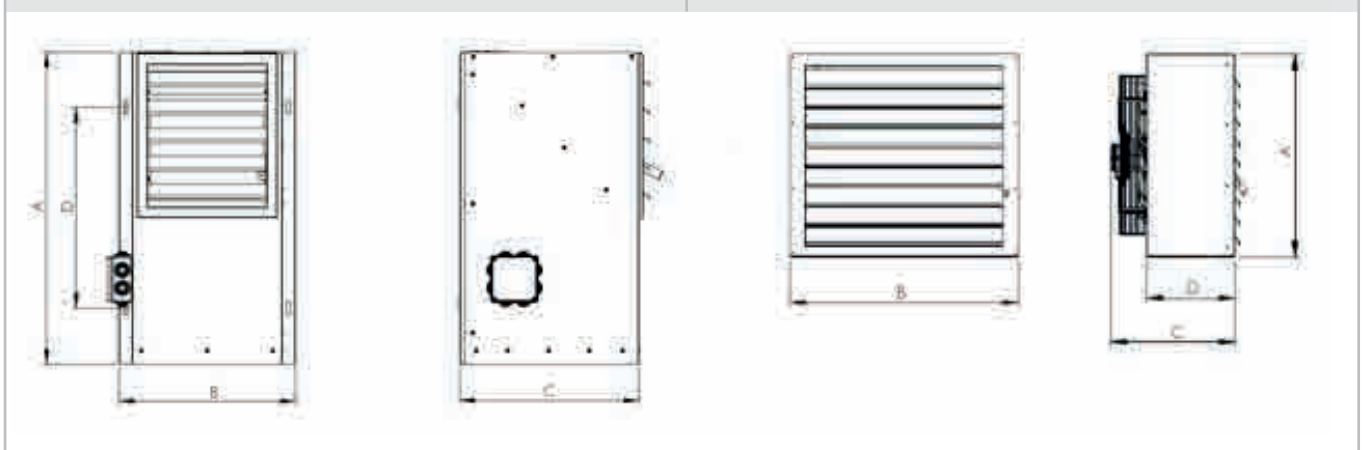
Model	Flow Rate m <sup>3</sup> /h	Inlet Air °C	Capacity Kw	Current Draw A	Supply V/Hz	Dimension (mm)				Sound dB(A)
						C	B	A	D	
İDA 2 E	1050	18	2	10	230/50	400	560	700	450	70
İDA 3 E	1050	18	3	15	230/50	400	560	700	450	70
İDA 4 E	1050	18	4	19	230/50	400	560	700	450	70
İDA 5 E	1400	18	5	9	400/50	430	590	800	500	70
İDA 6 E	1400	18	6	10	400/50	430	590	800	500	70
İDA 8 E	1400	18	8	14	400/50	430	590	800	500	70
İDA 10 E	1400	18	10	17	400/50	430	590	800	500	70
İDA 12 E	2400	18	12	20	400/50	550	650	1100	800	60
İDA 15 E	2400	18	15	24	400/50	550	650	1100	800	60
İDA 20 E	2400	18	20	32	400/50	550	650	1100	800	60

## Axial Fan

Model	Flow Rate m <sup>3</sup> /h	Inlet Air °C	Capacity Kw	Current Draw A	Supply V/Hz	Dimension (mm)				Sound dB(A)
						C	B	A	D	
İTA 2 E	1000	18	2	10	230/50	450	620	490	350	55
İTA 3 E	1000	18	3	15	230/50	450	620	490	350	55
İTA 4 E	1000	18	4	19	230/50	450	620	490	350	55
İTA 5 E	1200	18	5	9	400/50	450	620	490	350	55
İTA 6 E	1200	18	6	10	400/50	450	620	490	350	55
İTA 8 E	1200	18	8	14	400/50	450	620	490	350	55
İTA 10 E	1200	18	10	17	400/50	450	620	490	350	55
İTA 12 E	2300	18	12	20	400/50	450	680	550	350	62
İTA 15 E	2300	18	15	24	400/50	450	680	550	350	62
İTA 20 E	2300	18	20	32	400/50	450	680	550	350	62

IDA Radial Fan

ITA Axial Fan







İMAS KLİMA SOĞUTMA MAKİNA SANAYİ TİCARET ve  
MÜMESSİLLİK A.Ş.  
A: Pancar Organize Sanayi Bölgesi – 2.Cadde  
No:3 35865 –TORBALI– İZMİR/TÜRKİYE  
T:+902323768700(pbx) F:+902323768576

[imas@imasklima.com.tr](mailto:imas@imasklima.com.tr)

2023-1